

US00D495541S1

(12) **United States Design Patent**  
**Lipsztein**

(10) **Patent No.:** **US D495,541 S**

(45) **Date of Patent:** **\*\* Sep. 7, 2004**

(54) **MODULAR FURNITURE COMPONENT**

D420,536 S \* 2/2000 Swensson et al. .... D6/482

(76) **Inventor:** **Gisele Lipsztein**, 11756 Moorpark St.,  
#F, Studio City, CA (US) 91604

\* cited by examiner

(\*\*) **Term:** **14 Years**

*Primary Examiner*—Cathron Brooks

(74) *Attorney, Agent, or Firm*—The Hecker Law Group

(21) **Appl. No.:** **29/185,850**

(57) **CLAIM**

(22) **Filed:** **Jul. 3, 2003**

The ornamental design for modular furniture component, as shown and described.

(51) **LOC (7) Cl.** ..... **06-06**

**DESCRIPTION**

(52) **U.S. Cl.** ..... **D6/511**

(58) **Field of Search** ..... D6/491, 505, 509–511,  
D6/482; 108/157.1, 161; 312/140.1, 140.2,  
140.3; D1/125, 128; D32/40

FIG. 1 is a perspective view of the modular furniture component of the present invention.

FIG. 2 is a front view of the modular furniture component of FIG. 1;

(56) **References Cited**

**U.S. PATENT DOCUMENTS**

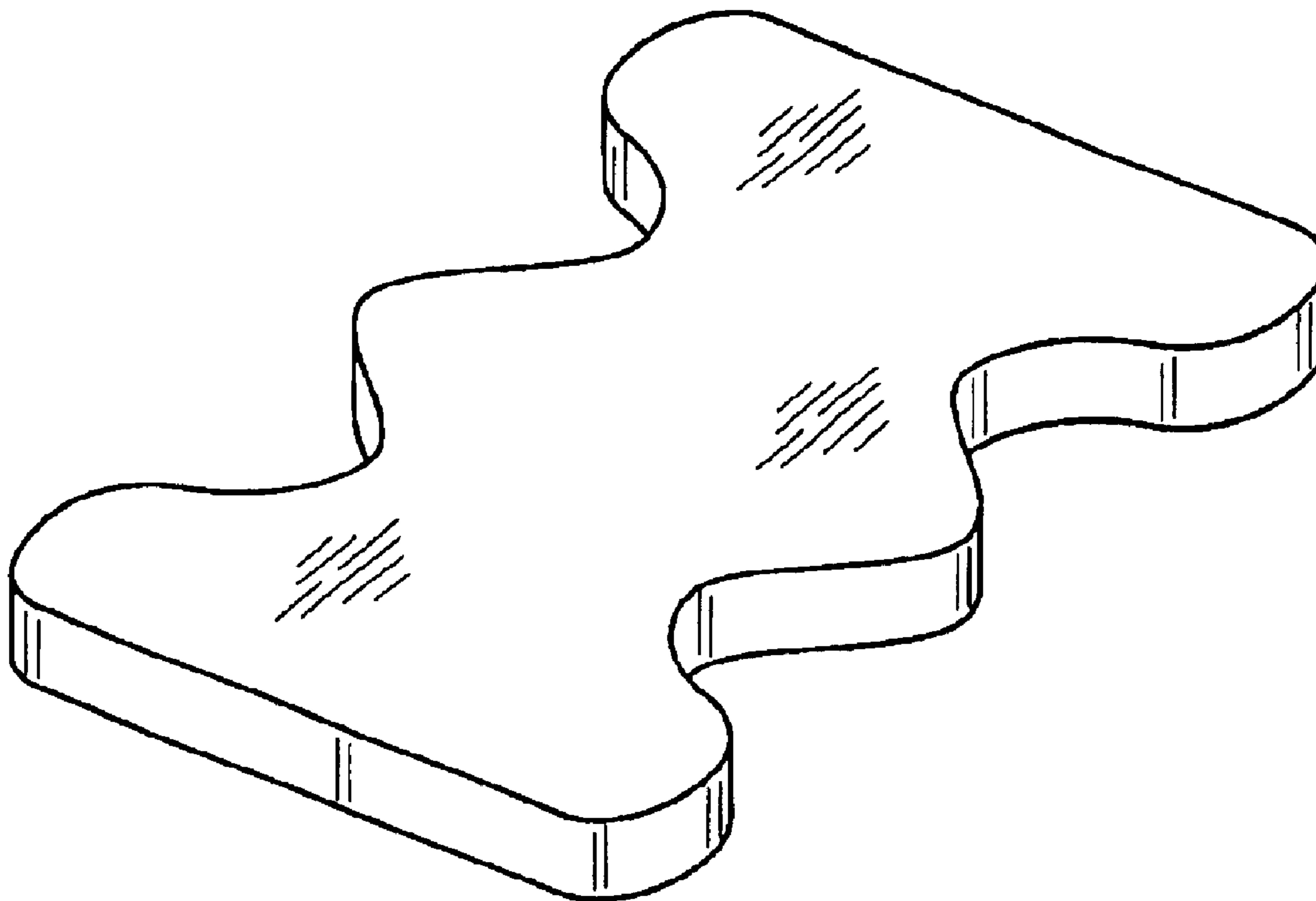
D244,157 S	*	5/1977	Beasley	.....	D6/511
D252,432 S	*	7/1979	Brelsford	.....	D6/480
D264,294 S	*	5/1982	Schulze	.....	D6/491
D334,982 S	*	4/1993	Riach	.....	D6/482
D375,640 S	*	11/1996	Marx	.....	D6/482
D414,634 S	*	10/1999	Smith et al.	.....	D6/511

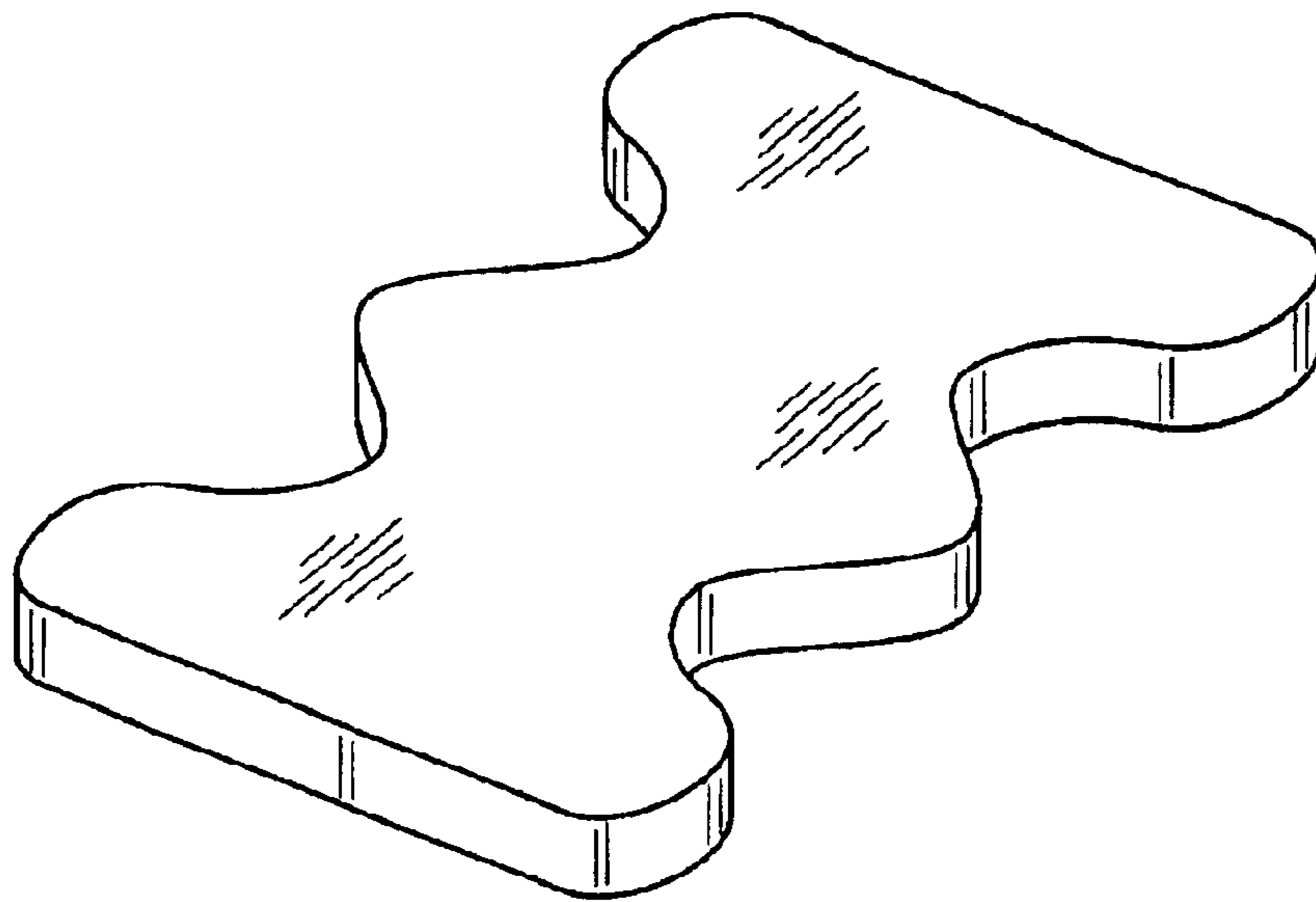
FIG. 3 is a side view of the modular furniture component of FIG. 1;

FIG. 4 is a top view of the modular furniture component of FIG. 1; and,

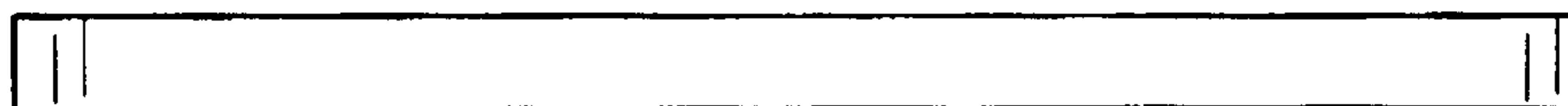
FIG. 5 is a bottom view of the modular furniture component of FIG. 1.

**1 Claim, 3 Drawing Sheets**





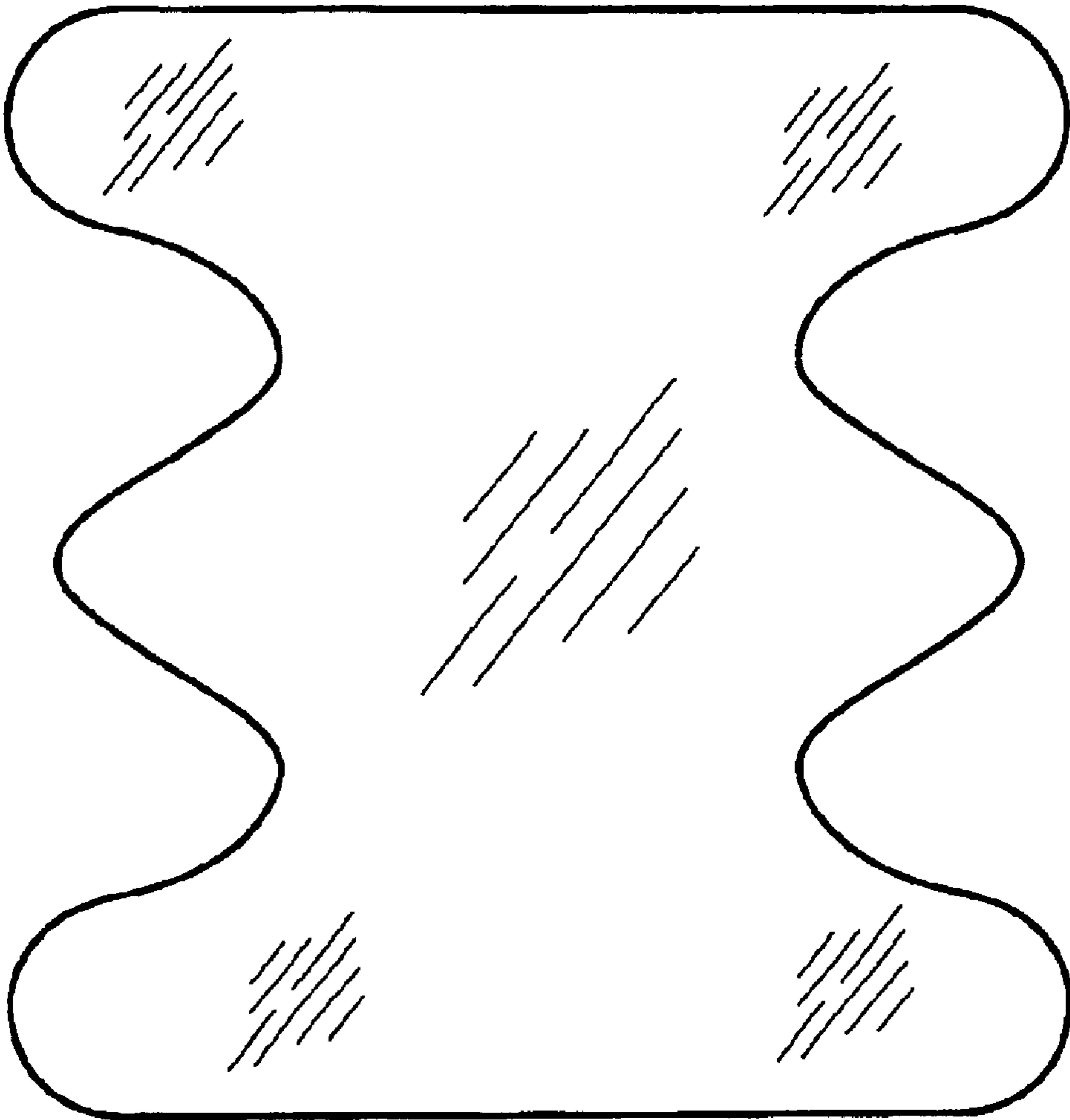
**FIG. 1**



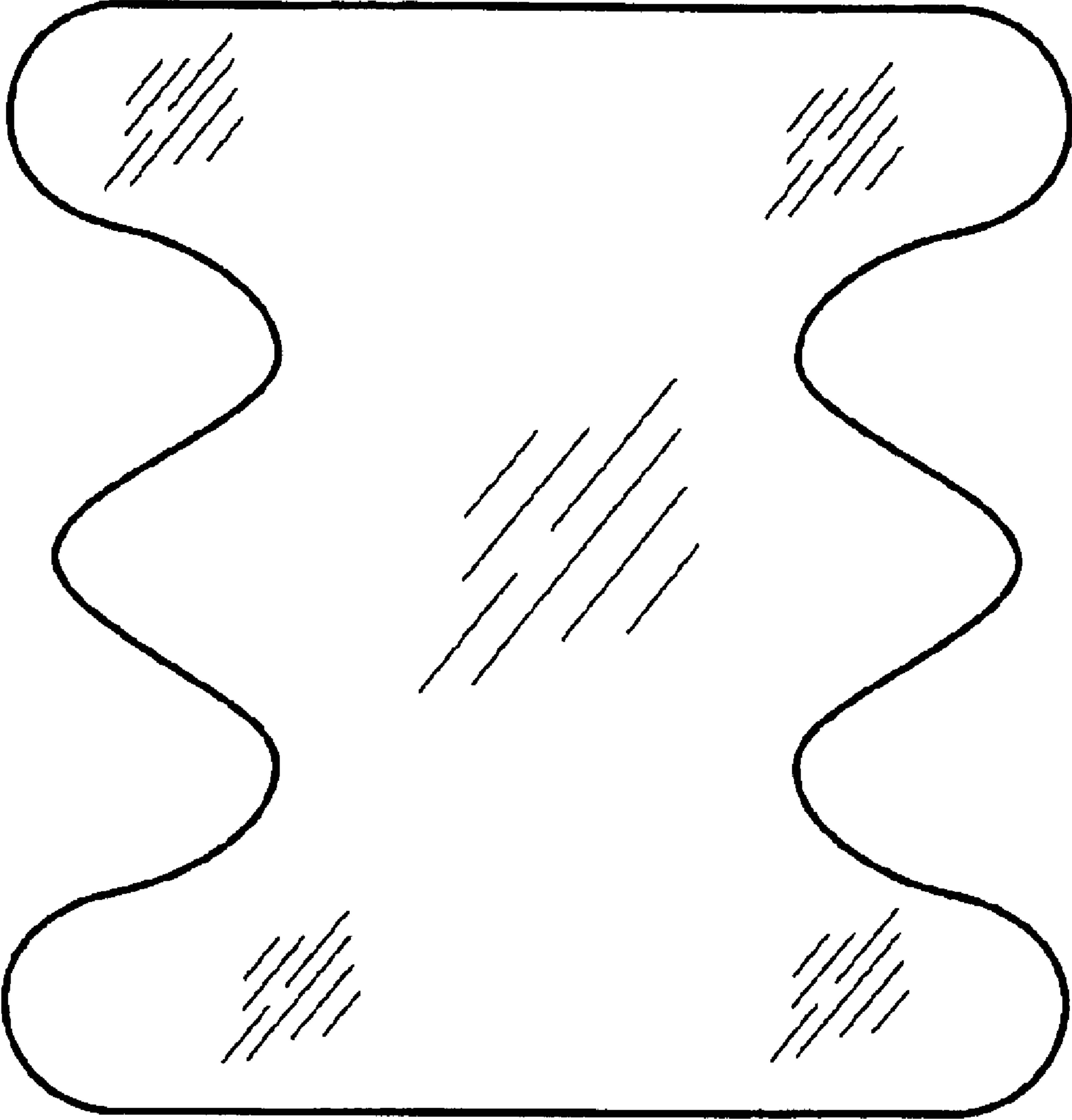
**FIG. 2**



**FIG. 3**



**FIG. 4**



**FIG. 5**