



US00D495539S1

(12) **United States Design Patent**
Sjöberg

(10) **Patent No.:** **US D495,539 S**

(45) **Date of Patent:** **** Sep. 7, 2004**

(54) **SHELF DIVIDER**

(75) Inventor: **Mårten Sjöberg**, Stockholm (SE)

(73) Assignee: **HL Display AB**, Skarpnack (SE)

(**) Term: **14 Years**

(21) Appl. No.: **29/195,806**

(22) Filed: **Dec. 18, 2003**

(30) **Foreign Application Priority Data**

Jun. 18, 2003 (SE) 03-0636

(51) **LOC (7) Cl.** **06-06**

(52) **U.S. Cl.** **D6/509**

(58) **Field of Search** D6/491, 505, 509-511;
108/60; 206/561-564; 211/59.4, 183, 184;
312/348.3

(56) **References Cited**

U.S. PATENT DOCUMENTS

D275,921 S * 10/1984 Ward D6/510
4,488,653 A * 12/1984 Belokin 211/184
5,884,782 A * 3/1999 Dembicks 211/184
D482,913 S * 12/2003 Lingvall D6/509

* cited by examiner

Primary Examiner—Cathron Brooks

(74) *Attorney, Agent, or Firm*—Sughrue Mion, PLLC

(57) **CLAIM**

The ornamental design for a shelf divider, as shown and described.

DESCRIPTION

FIG. 1 is a perspective view of the top, front and left side of a shelf divider showing my new design;

FIG. 2 is a perspective view of the bottom, front and left side thereof;

FIG. 3 is a left side elevational view thereof, the right side being a mirror image thereof;

FIG. 4 is a front elevational view thereof;

FIG. 5 is a rear elevational view thereof;

FIG. 6 is a top plan view thereof;

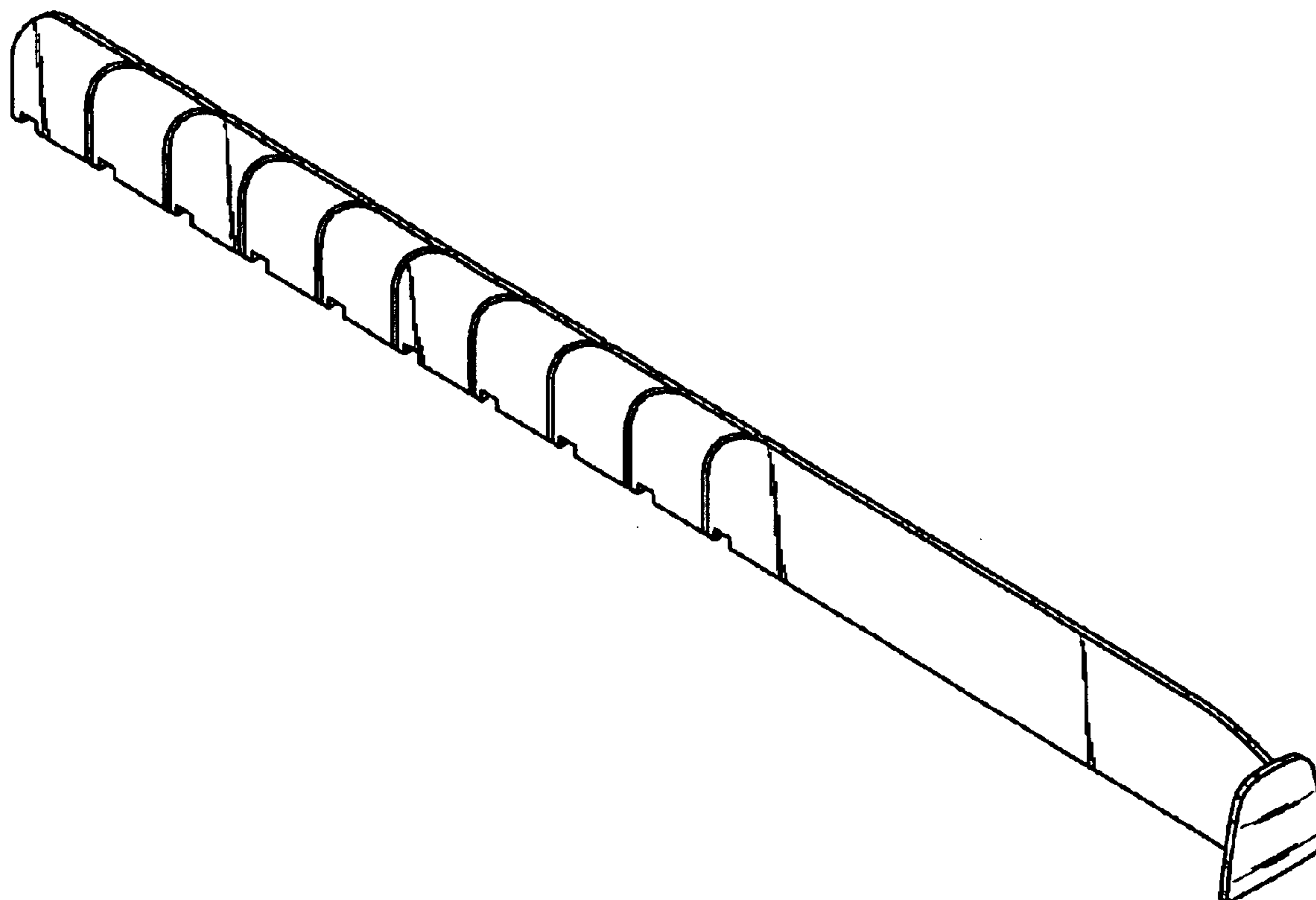
FIG. 7 is a bottom plan view thereof;

FIG. 8 is an enlarged detail, partial perspective view of the bottom, front and left side thereof;

FIG. 9 is an enlarged detail, partial left side elevational view thereof; and,

FIG. 10 is an enlarged detail, partial left side side elevational view thereof.

1 Claim, 5 Drawing Sheets



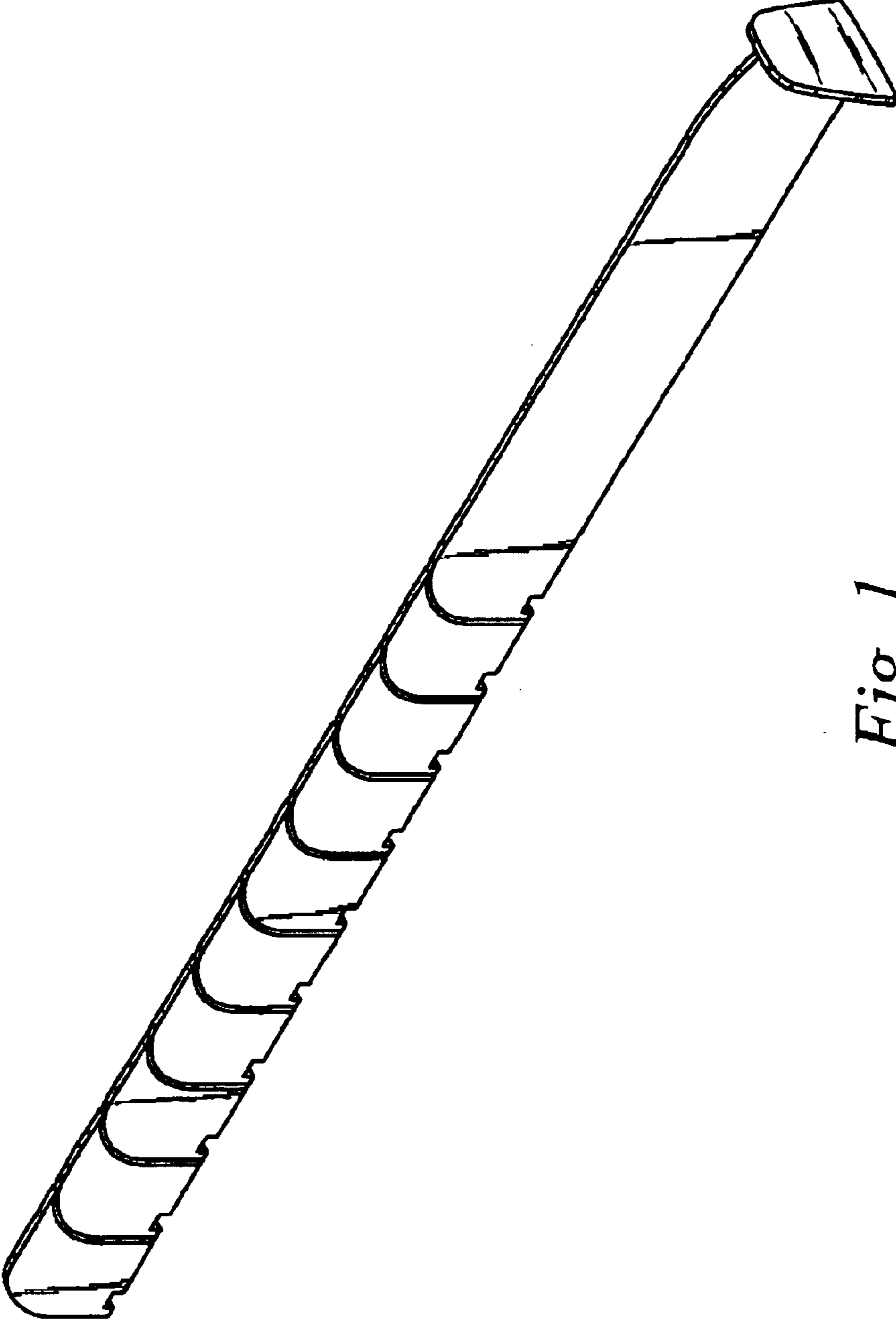


Fig. 1

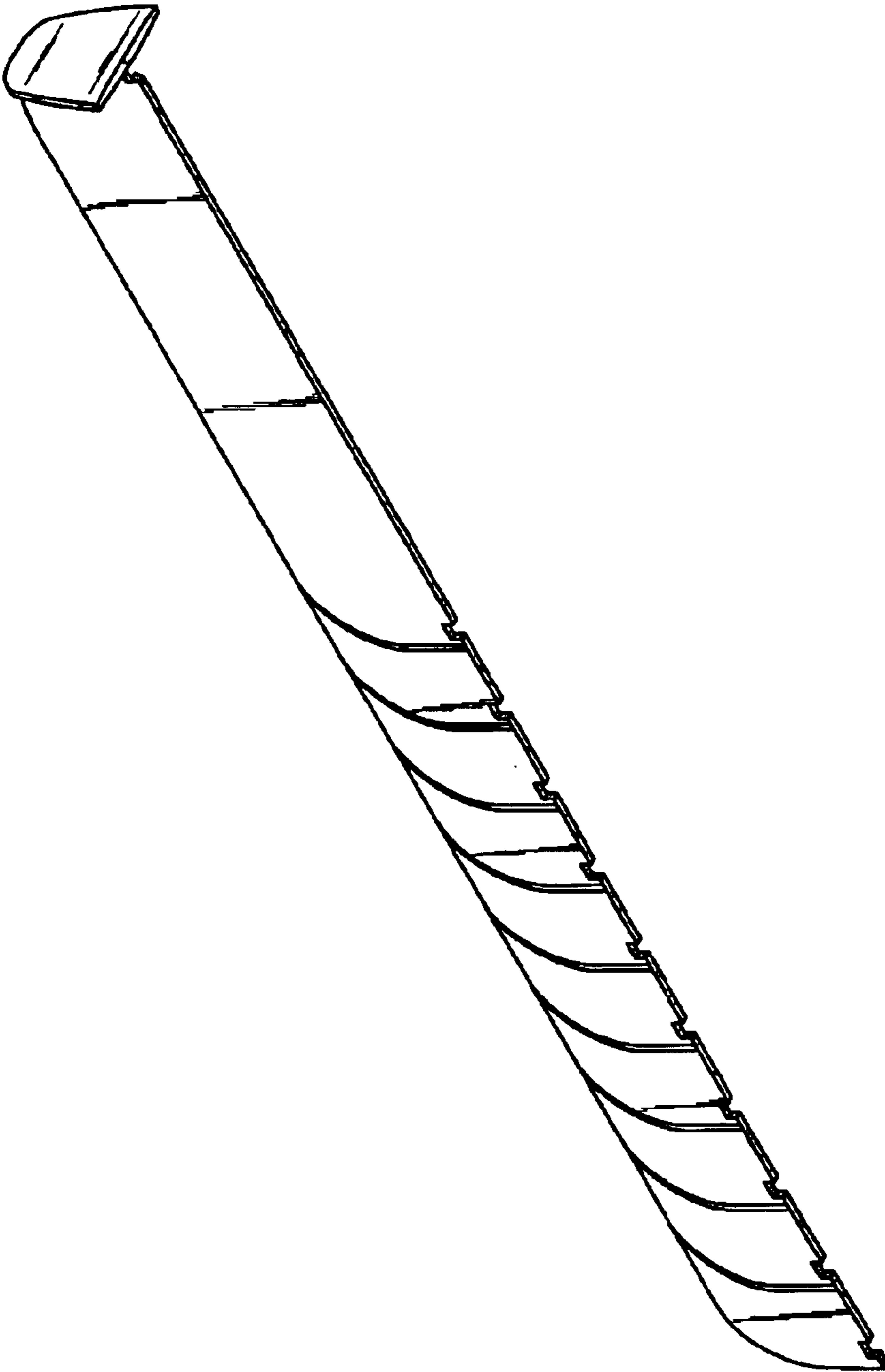


Fig. 2

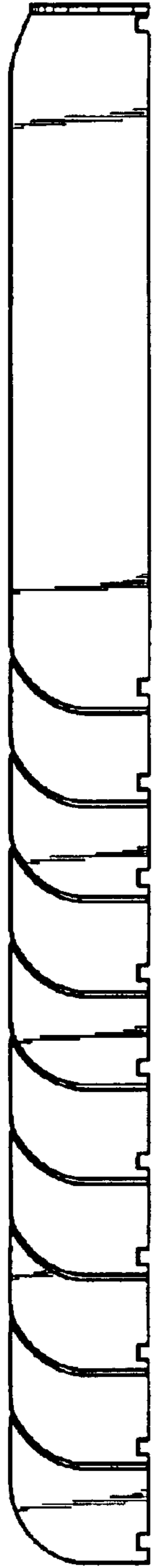


Fig. 3

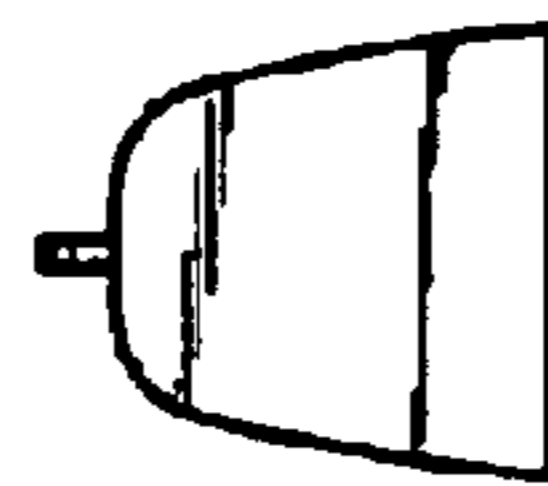


Fig. 4

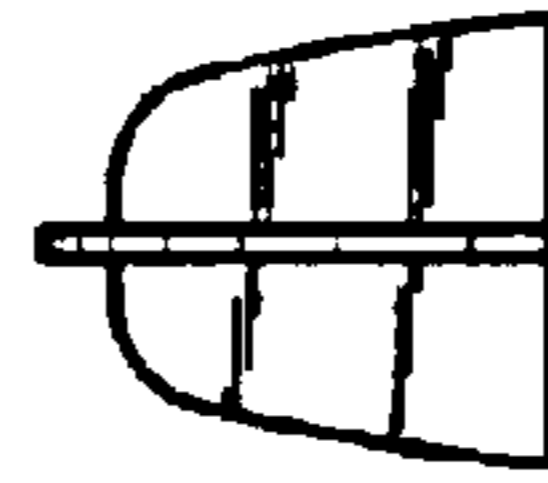


Fig. 5

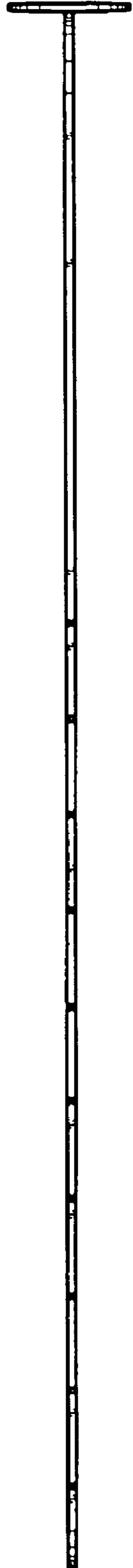


Fig. 6

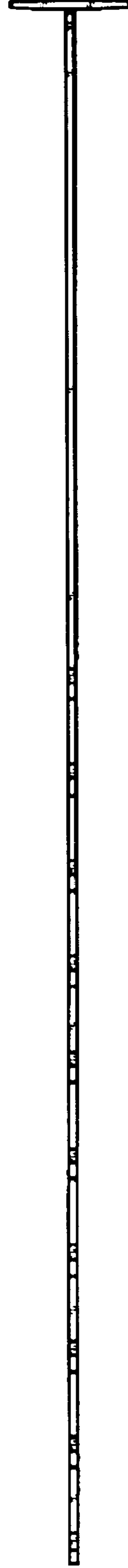


Fig. 7

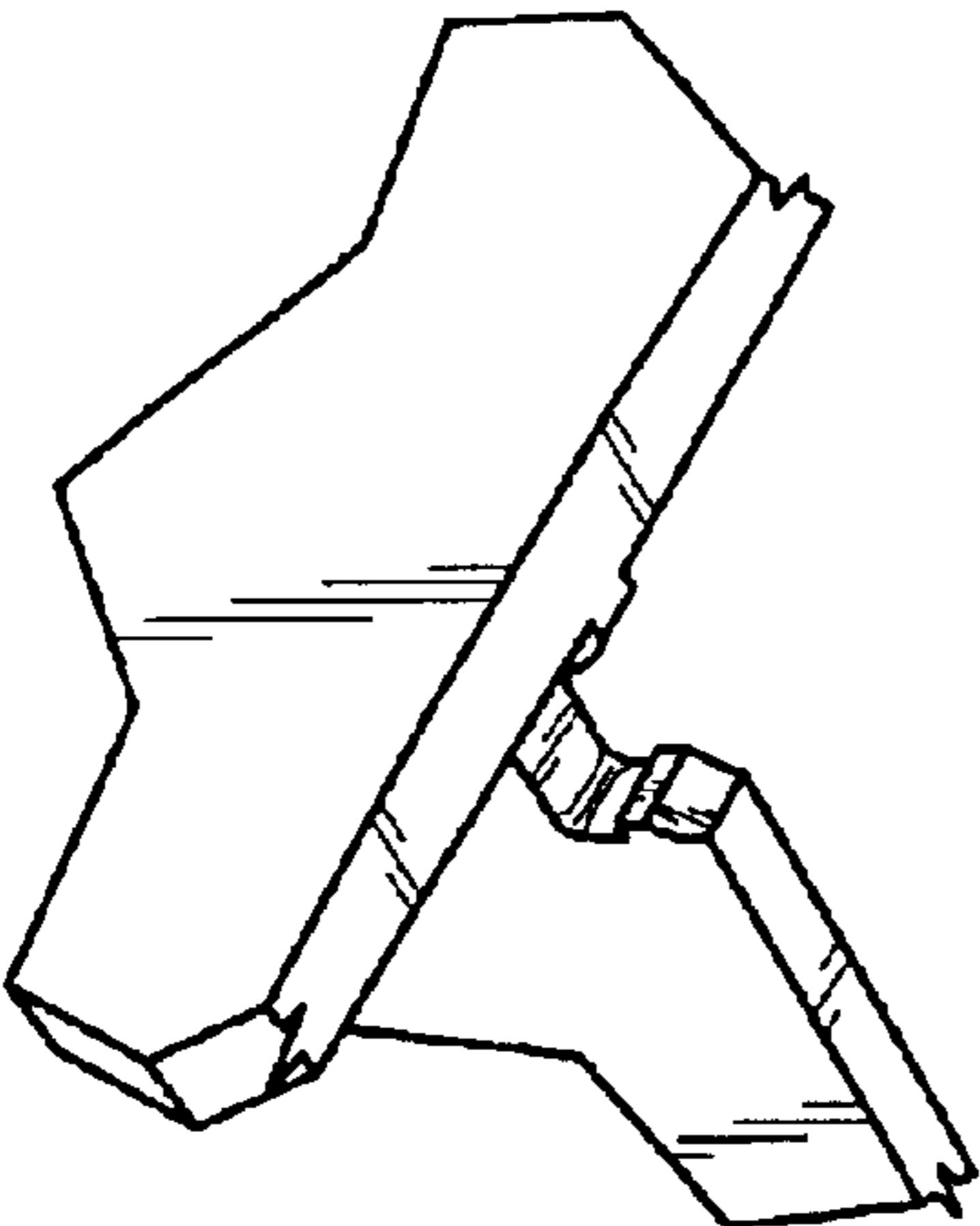


Fig. 8

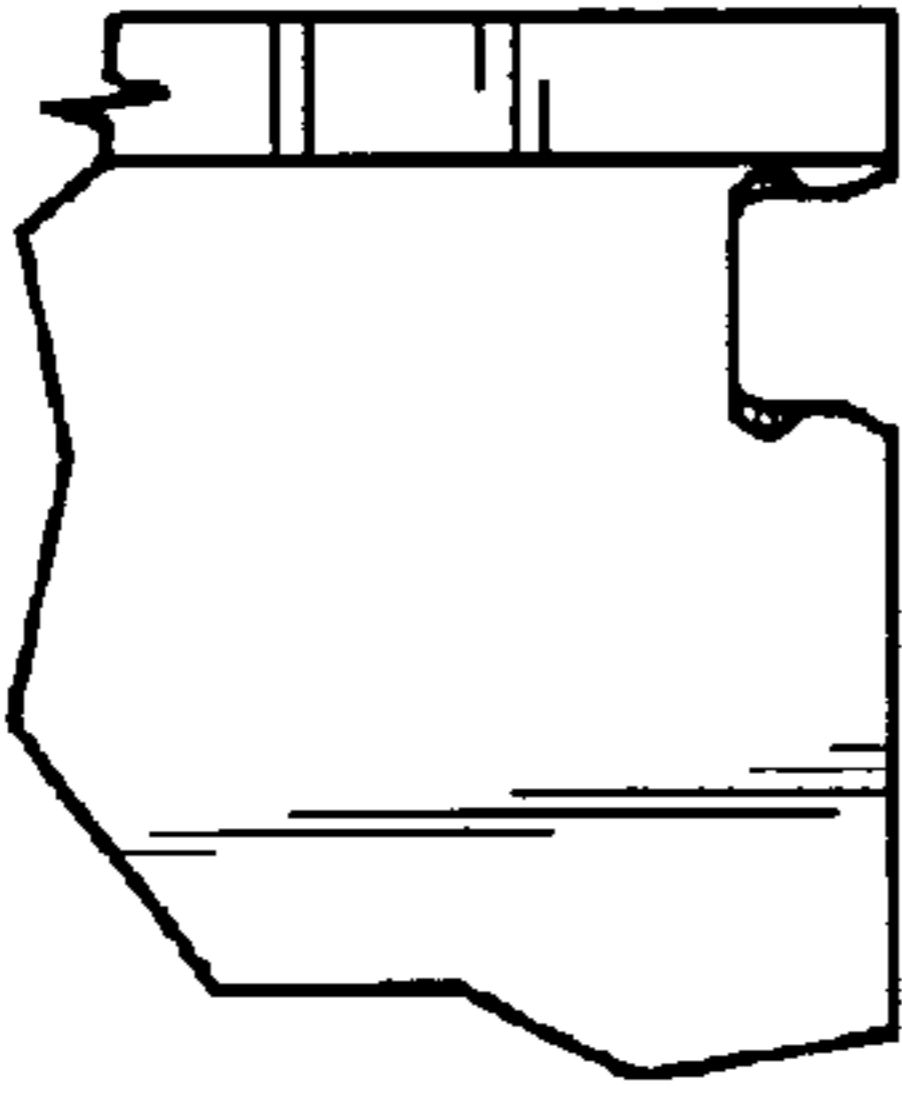


Fig. 9

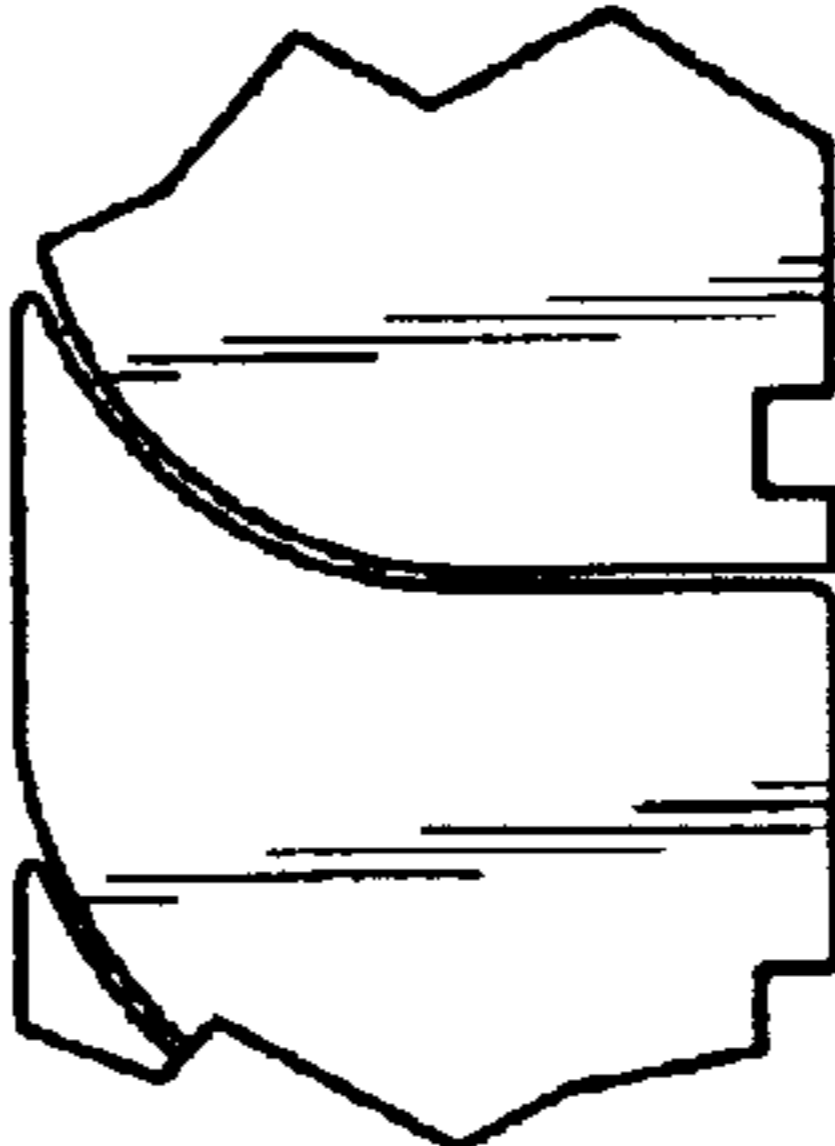


Fig. 10