

US00D495536S1

(12) **United States Design Patent**  
**Lucht**

(10) **Patent No.:** **US D495,536 S**  
(45) **Date of Patent:** **\*\* Sep. 7, 2004**

- (54) **MERCHANDISE DISPLAY BASE**
- (75) **Inventor:** **Wayne Lucht**, Bedford Park, IL (US)
- (73) **Assignee:** **Midway Displays, Inc.**, Bedford Park, IL (US)
- (\*\*) **Term:** **14 Years**
- (21) **Appl. No.:** **29/176,937**
- (22) **Filed:** **Feb. 19, 2003**
- (51) **LOC (7) Cl.** ..... **06-04**
- (52) **U.S. Cl.** ..... **D6/495**
- (58) **Field of Search** ..... D6/410, 411, 415, D6/449, 455-457, 495, 365; D3/10; D20/41; D26/93, 138, 142, 148; 248/127, 158, 346.01, 346.11, 346.5, 910; 211/58, 70, 78, 144, 163, 133.1

- D342,549 S \* 12/1993 Hofman ..... D20/41
- D360,550 S 7/1995 Ford
- D364,832 S 12/1995 Hou
- D435,182 S \* 12/2000 Mason ..... D6/457
- D447,649 S \* 9/2001 Mason ..... D6/495
- 6,446,930 B1 9/2002 Li

\* cited by examiner

*Primary Examiner*—Mimosa De

(74) *Attorney, Agent, or Firm*—Leydig, Voit & Mayer Ltd.

(57) **CLAIM**

The ornamental design for a merchandise display base, substantially as shown and described.

**DESCRIPTION**

FIG. 1 is a perspective view of a merchandise display base showing my new design;  
 FIG. 2 is a bottom perspective view thereof, here showing an exemplary caster in broken line for illustrative purposes only forming no part of the claimed design;  
 FIG. 3 is a reduced top plan view thereof;  
 FIG. 4 is a reduced left side elevational view thereof;  
 FIG. 5 is a reduced right side elevational view thereof;  
 FIG. 6 is a reduced rear side elevational view thereof; and  
 FIG. 7 is a reduced front side elevational view thereof; and,  
 FIG. 8 is a reduced bottom plan view thereof.

(56) **References Cited**  
U.S. PATENT DOCUMENTS

- 1,856,000 A 4/1932 Smith
- 3,415,475 A \* 12/1968 Goodman ..... 248/158
- D246,965 S 1/1978 Hughes
- D285,883 S \* 9/1986 Tegze ..... D6/495
- D305,702 S \* 1/1990 Taliani et al. .... D3/10
- D334,314 S \* 3/1993 Milton ..... D6/495

**1 Claim, 2 Drawing Sheets**

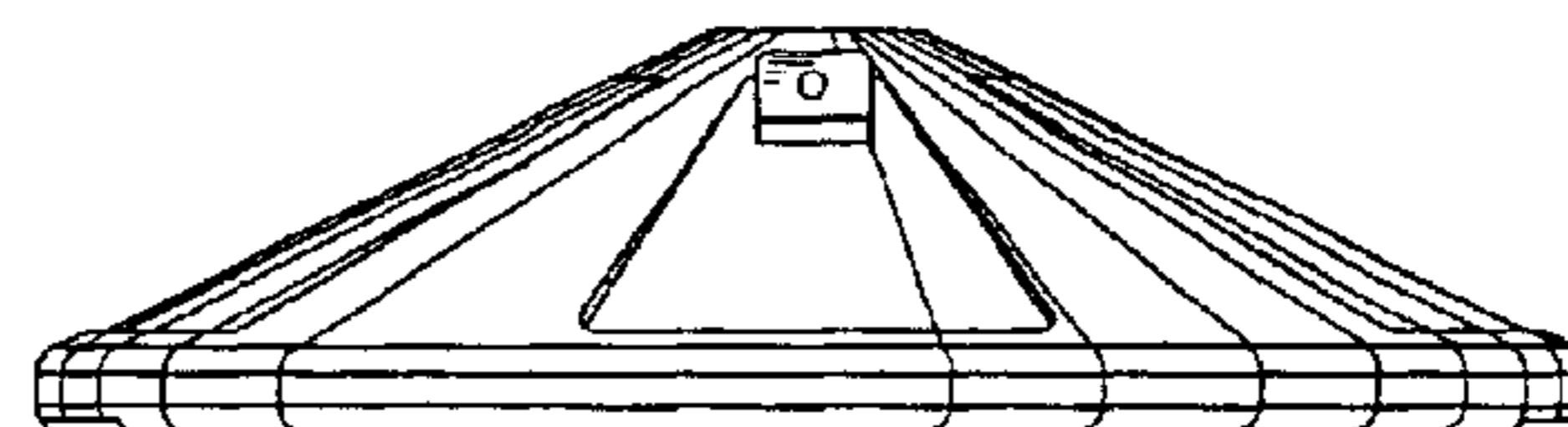
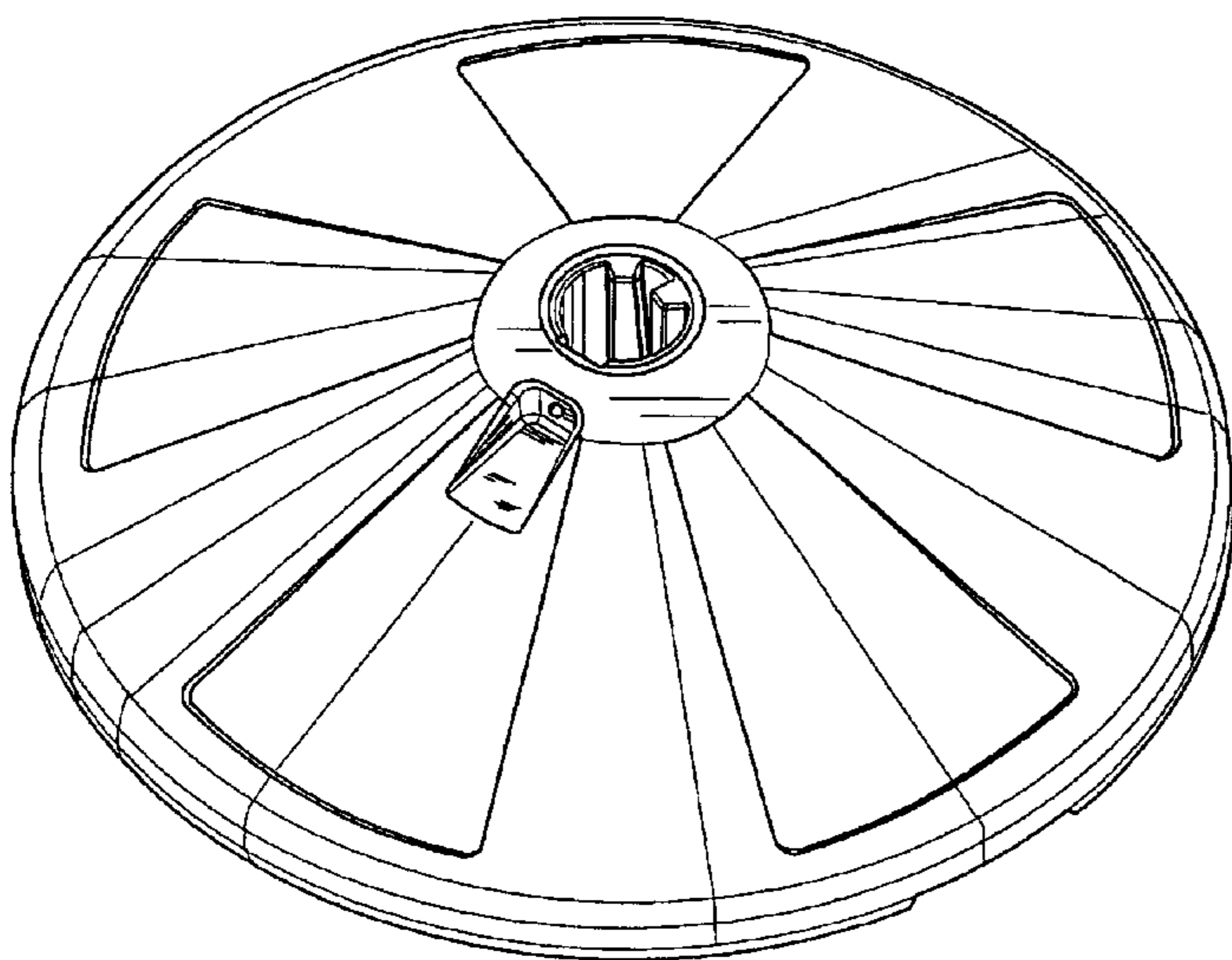


FIG. 1

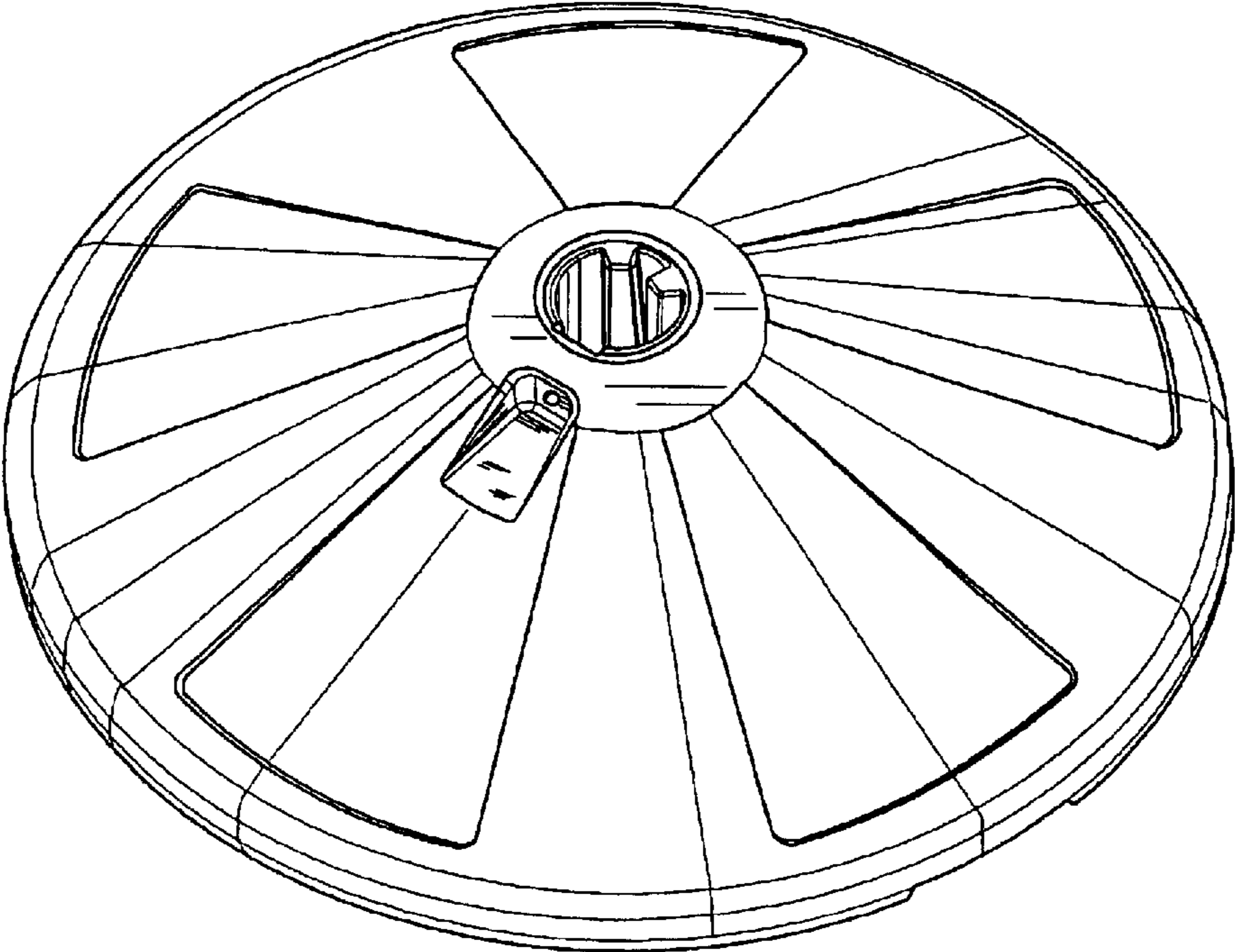


FIG. 2

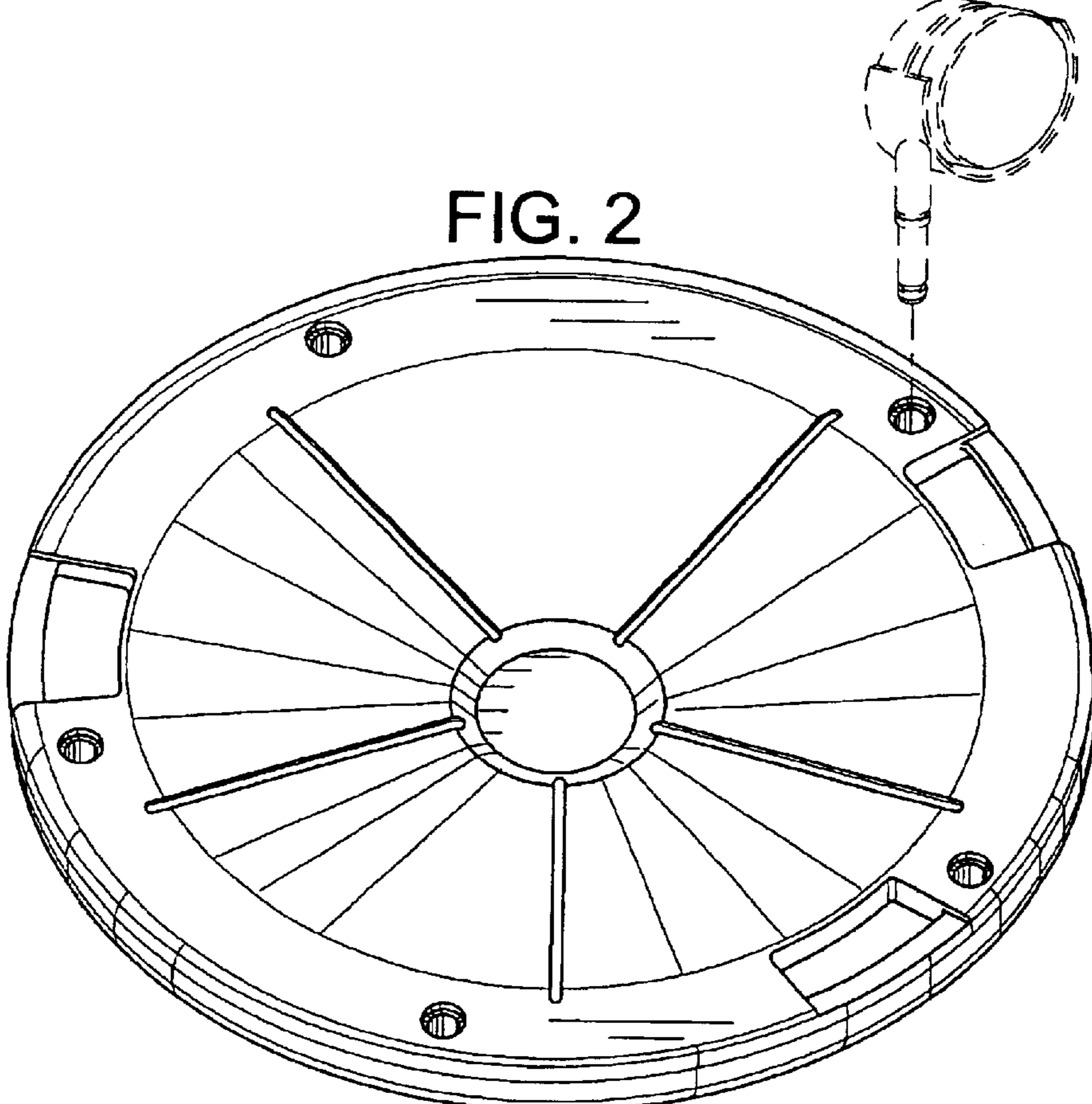




FIG. 6

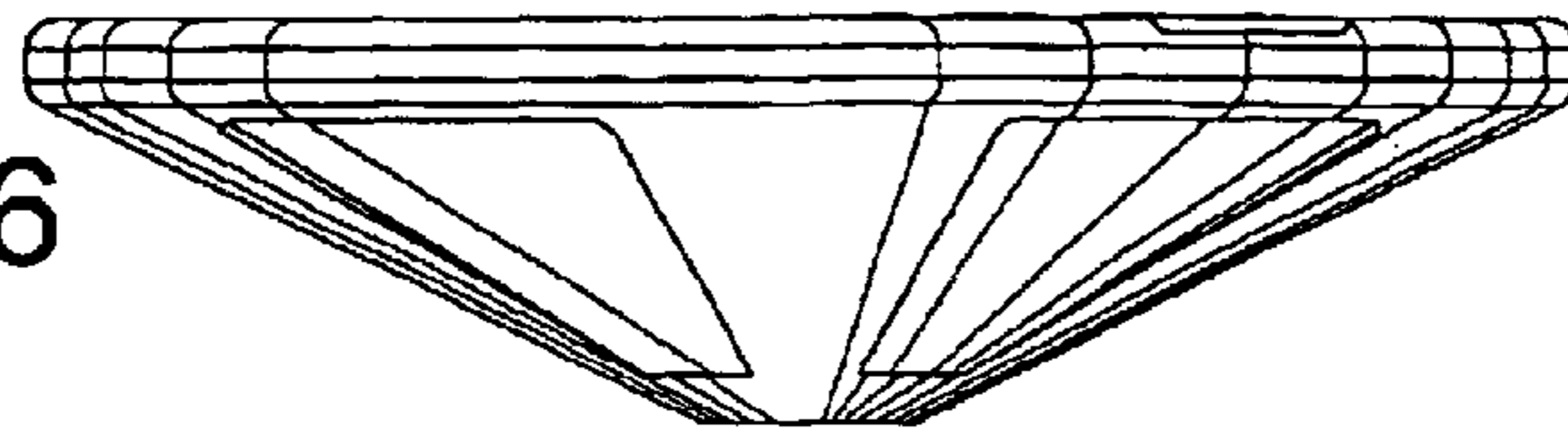


FIG. 4

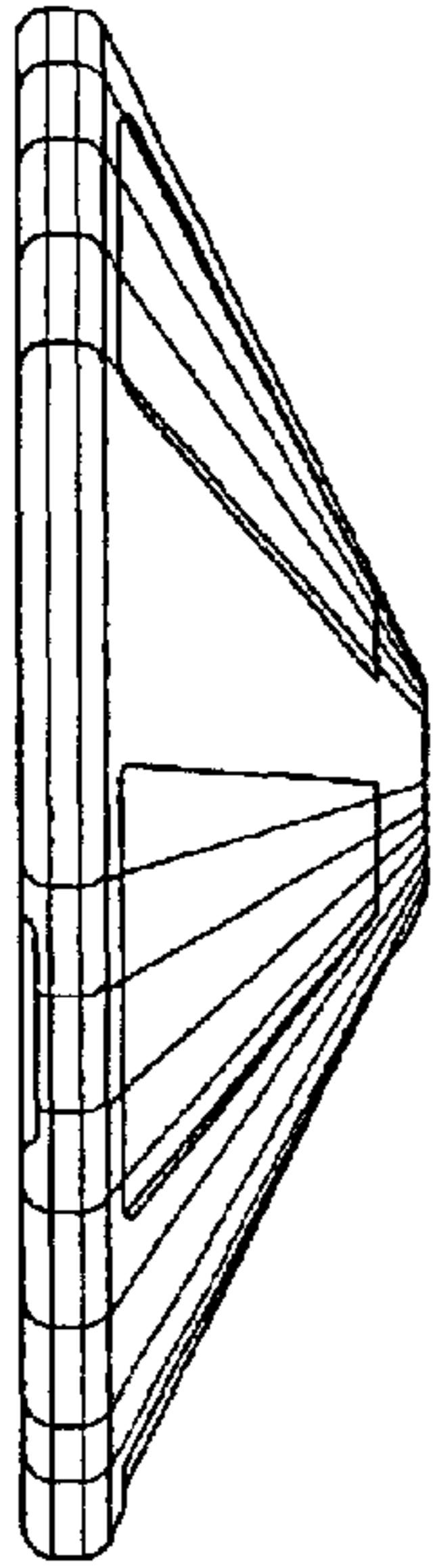


FIG. 3

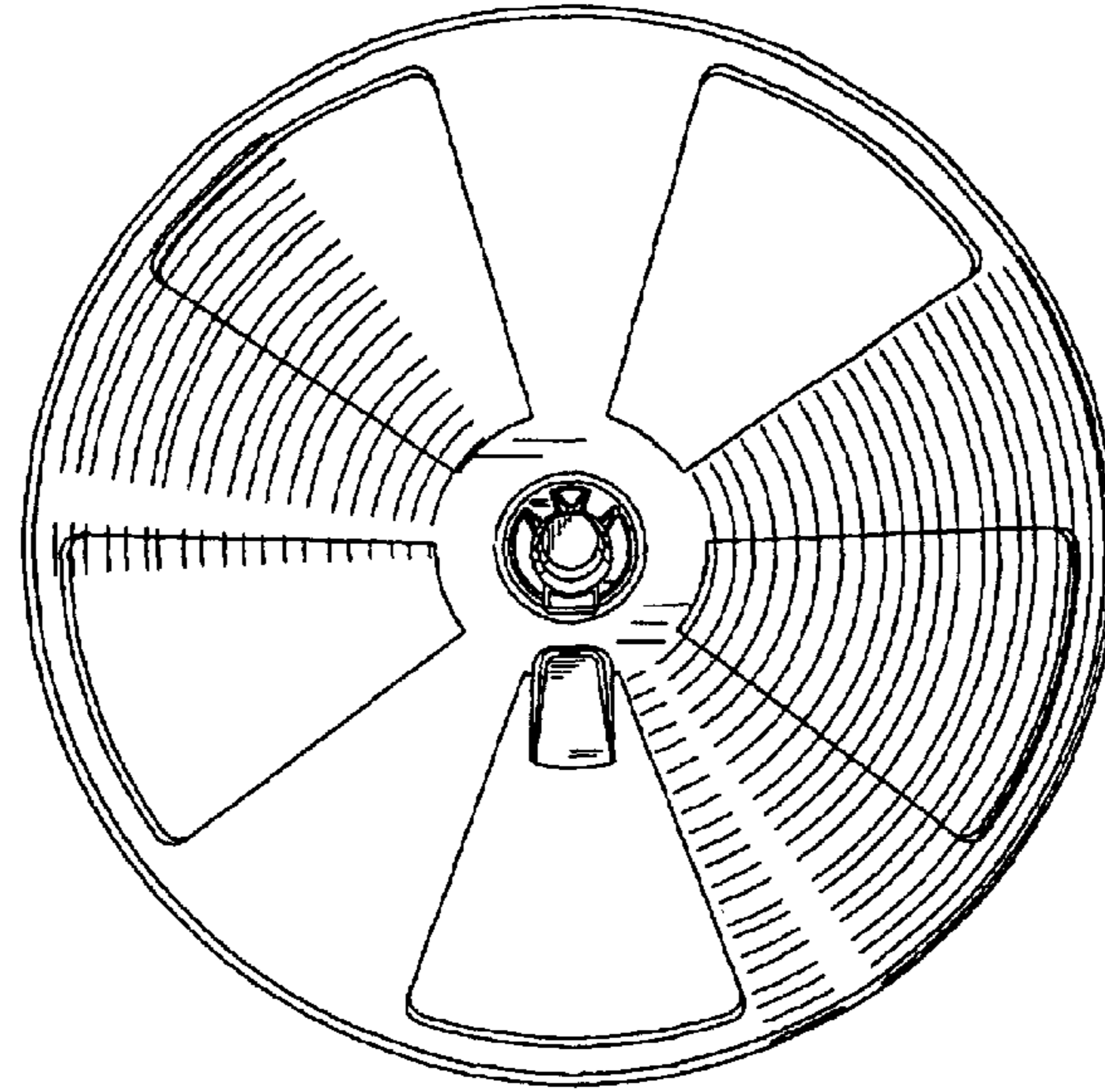


FIG. 5

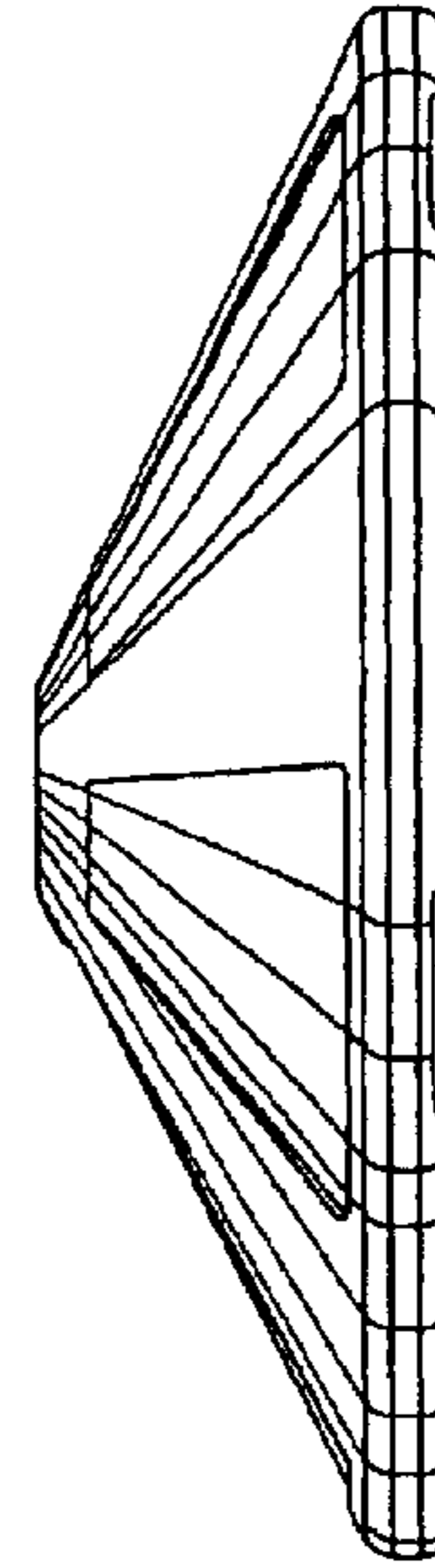


FIG. 7

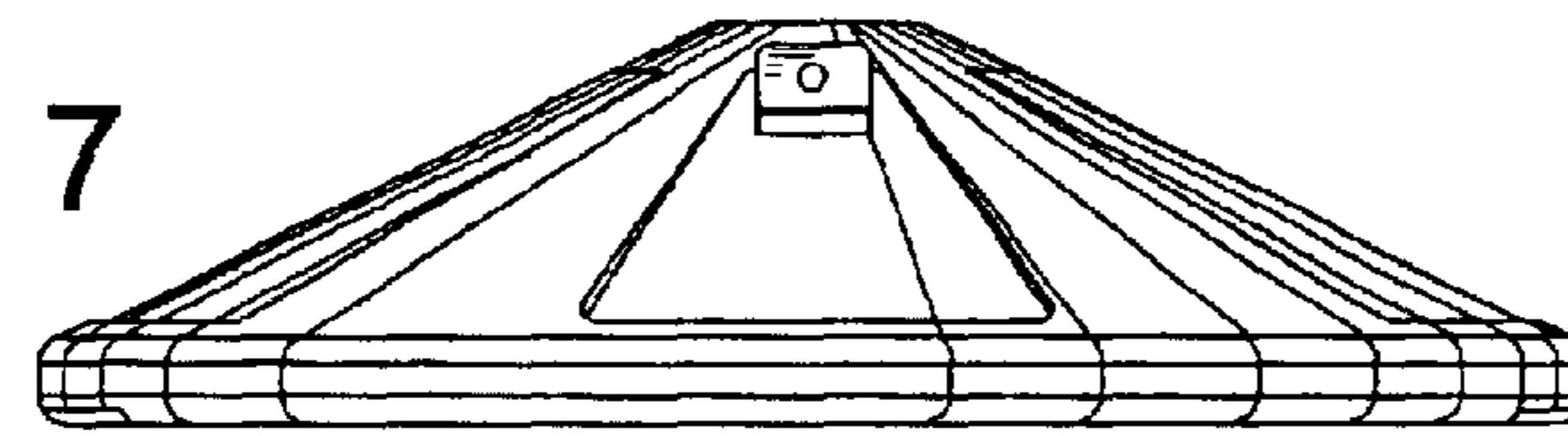


FIG. 8

