

US00D495532S1

(12) **United States Design Patent**
Meissen et al.

(10) **Patent No.:** **US D495,532 S**

(45) **Date of Patent:** **** Sep. 7, 2004**

(54) **DISPLAY TRAY**

(75) Inventors: **Cynthia R. Meissen**, Atlanta, GA (US);
Kyle L. Baltz, Dallas, TX (US)

(73) Assignee: **Rehrig Pacific Company**, Los Angeles,
CA (US)

(**) Term: **14 Years**

(21) Appl. No.: **29/183,963**

(22) Filed: **Jun. 19, 2003**

(51) **LOC (7) Cl.** **06-04**

(52) **U.S. Cl.** **D6/475**

(58) **Field of Search** D6/510, 511, 475;
D3/304, 309, 307, 312; D7/553.1, 550.1,
543, 554.3, 554.4; D9/424, 425, 432; D11/155;
211/88.01, 88.03; 206/503, 557, 562, 563,
669

(56) **References Cited**

U.S. PATENT DOCUMENTS

D258,721 S * 3/1981 Steeg D3/307

D270,678 S * 9/1983 Stein D3/304
D277,797 S * 2/1985 Chabot D3/307
D421,183 S * 2/2000 Koskinen D3/312

* cited by examiner

Primary Examiner—Mimosa De

(57) **CLAIM**

The ornamental design for a display tray, as shown and described.

DESCRIPTION

FIG. 1 is a top perspective view of the display showing our new design;
FIG. 2 is a bottom perspective view thereof;
FIG. 3 is a top plan view thereof;
FIG. 4 is a left side elevational view thereof, the right side being a mirror image thereof; and
FIG. 5 is a front elevational view thereof, the rear elevational view being a mirror image thereof; and,
FIG. 6 is a bottom plan view thereof.

1 Claim, 5 Drawing Sheets

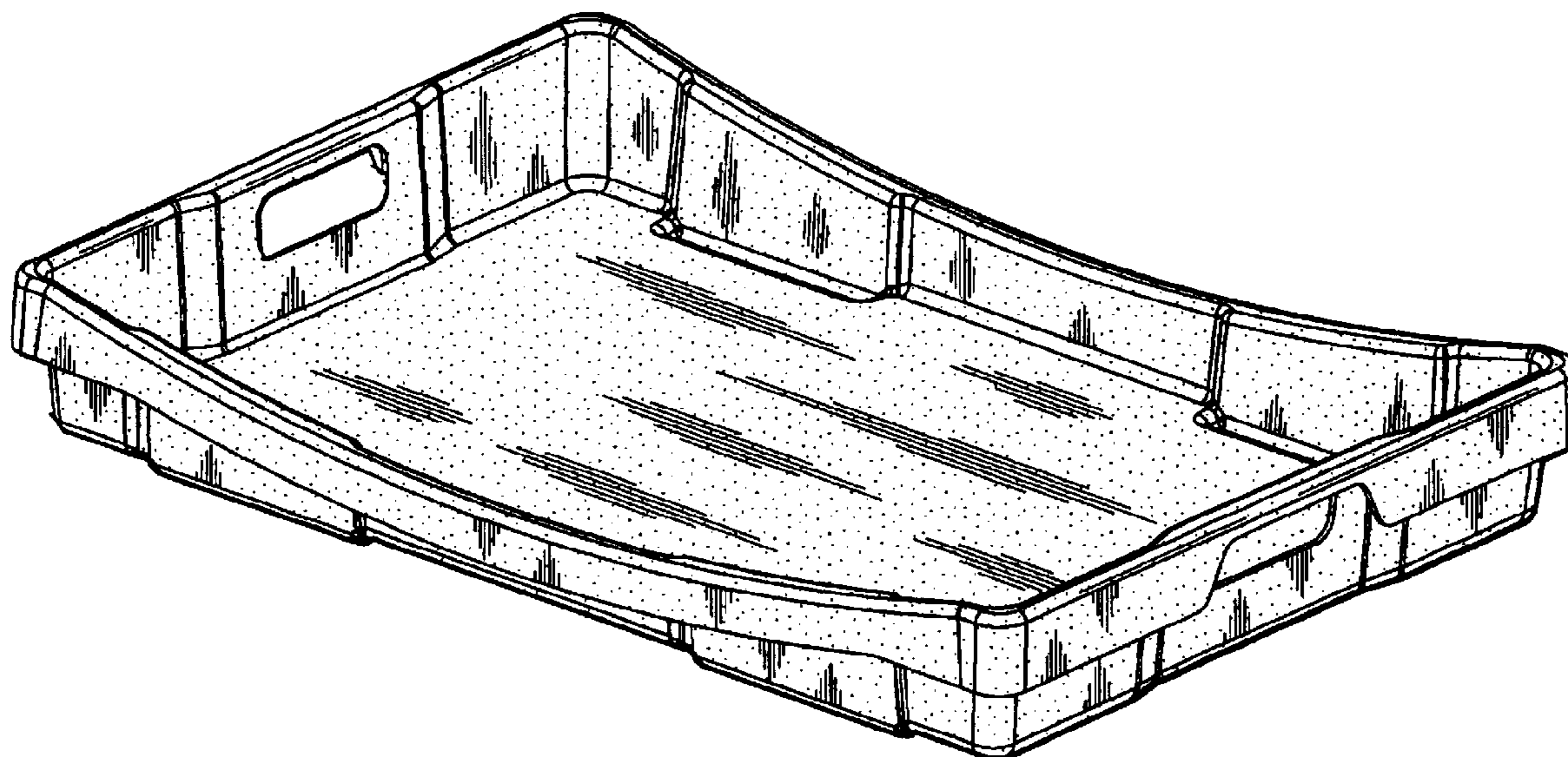
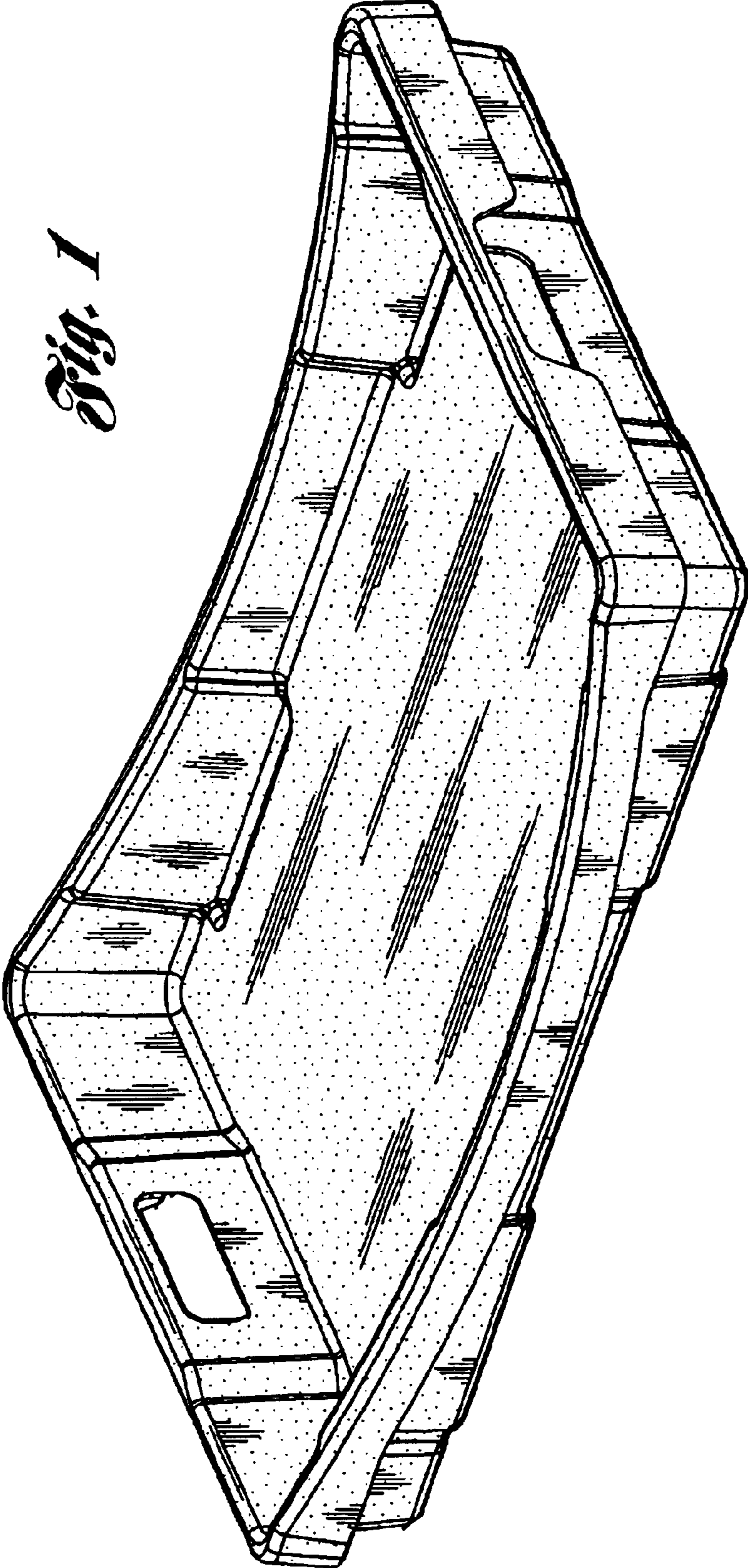


Fig. 1



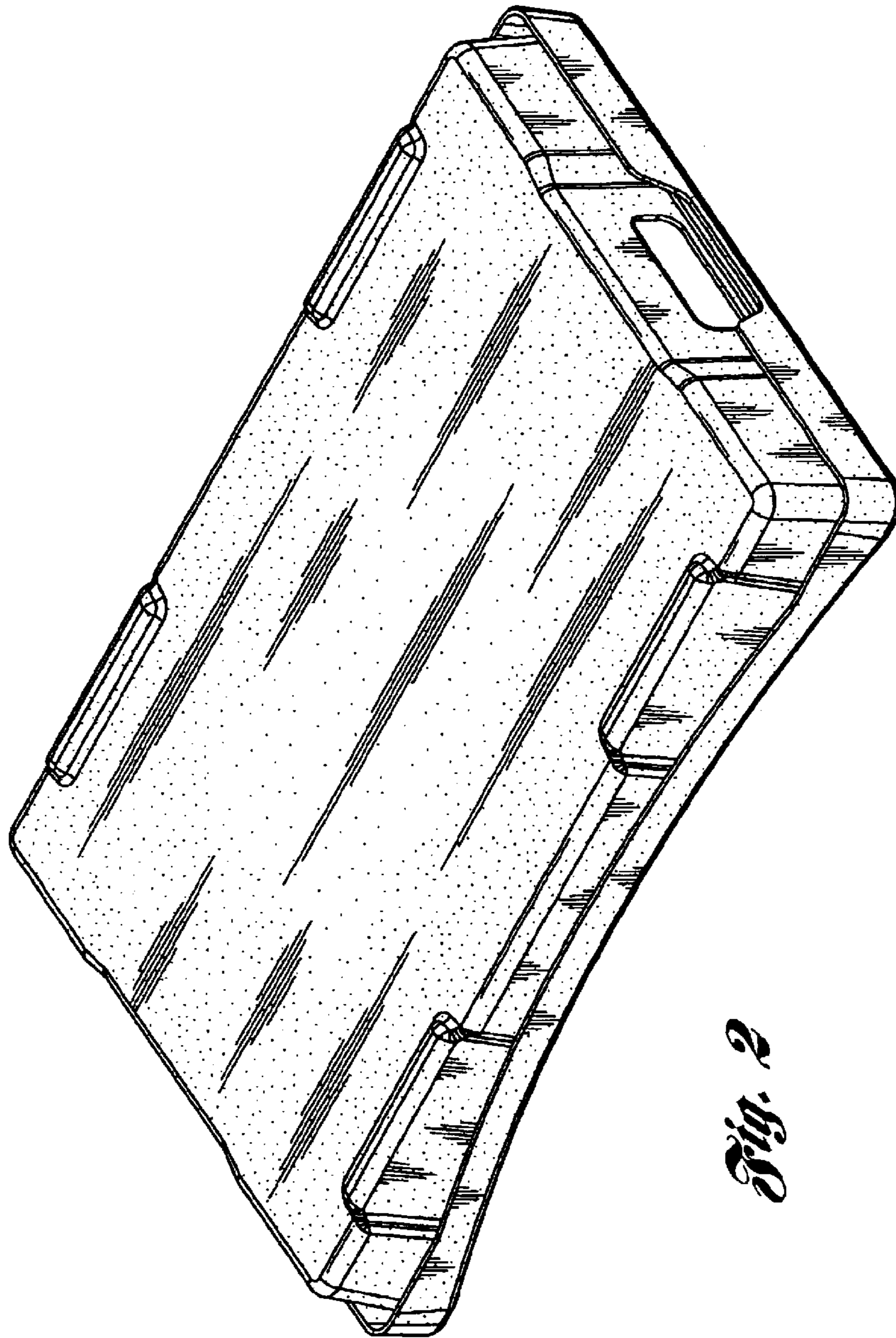


Fig. 2

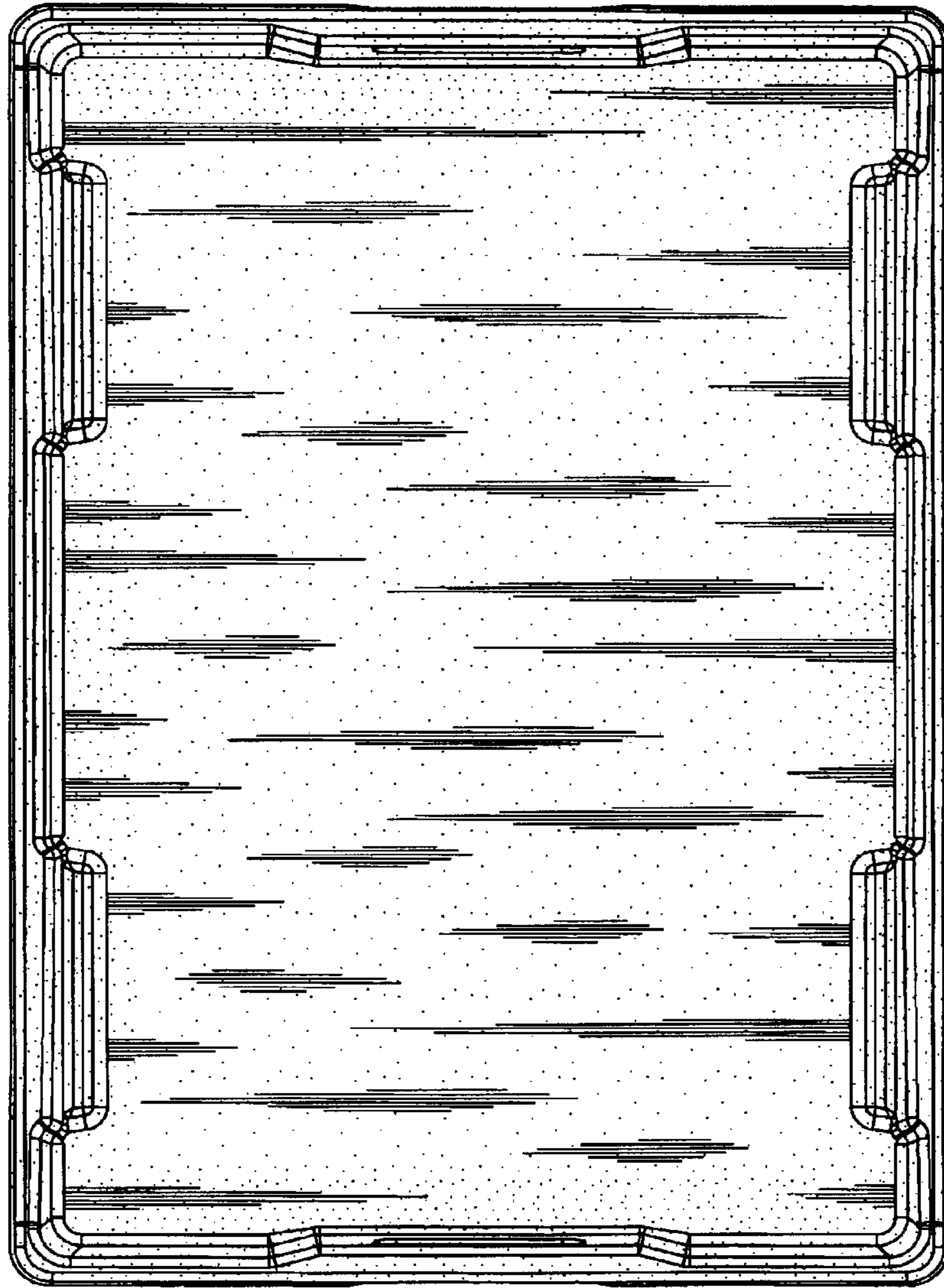


Fig. 3

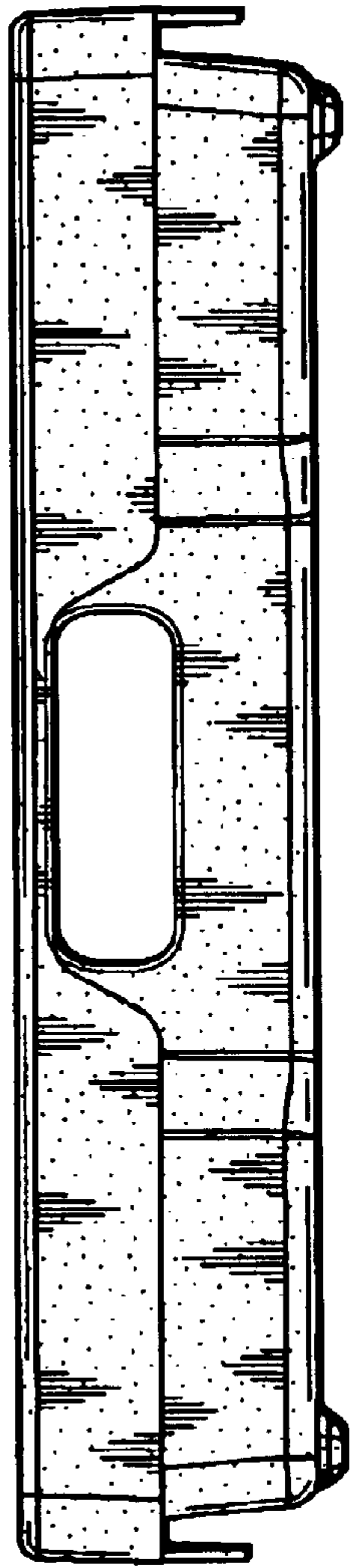


Fig. 4

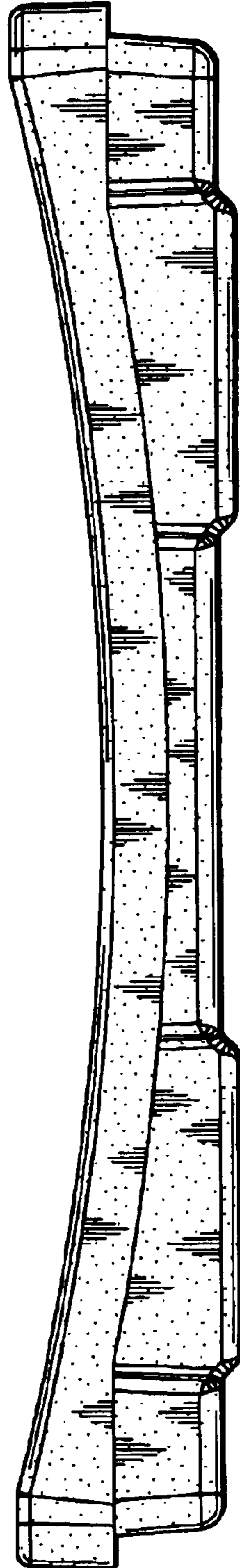


Fig. 5

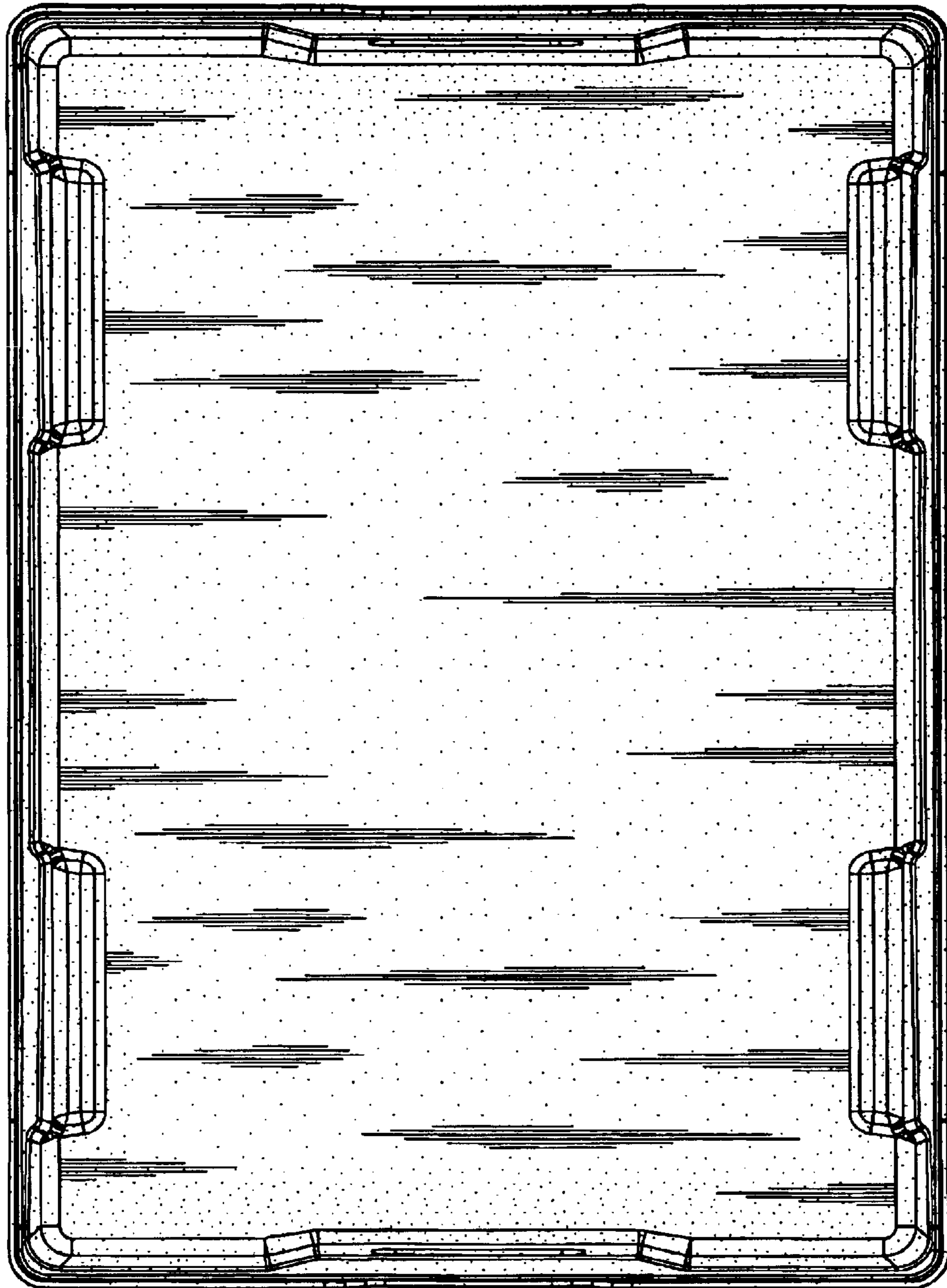


Fig. 6