

US00D495531S1

(12) **United States Design Patent** (10) **Patent No.:** **US D495,531 S**
Allshouse et al. (45) **Date of Patent:** **** Sep. 7, 2004**

(54) **GAME TABLE DISPLAY RACK**

(75) Inventors: **James R. Allshouse**, Newburgh, IN (US); **John F. Hetzel**, Newburgh, IN (US)

(73) Assignee: **Indian Industries, Inc.**, Evansville, IN (US)

(**) Term: **14 Years**

(21) Appl. No.: **29/188,049**

(22) Filed: **Aug. 12, 2003**

(51) **LOC (7) Cl.** **06-04**

(52) **U.S. Cl.** **D6/468; D6/462**

(58) **Field of Search** D6/396, 397, 449, D6/574, 457-468, 473, 474, 477, 479, 510, 511; 108/108; D9/517; D21/334; 206/459.1, 459.5; 211/59.2, 59.3, 74, 88.01, 126.1, 126.5, 135, 151, 153, 181.1, 184, 186; 221/29, 151, 152, 156; 312/45

(56) **References Cited**

U.S. PATENT DOCUMENTS

D243,891	S	*	4/1977	Snyder	D6/462
4,314,648	A	*	2/1982	Spamer	211/59.2
D321,100	S	*	10/1991	Dorrell	D6/468
5,197,610	A	*	3/1993	Bustos	211/59.2
5,595,310	A	*	1/1997	Spamer et al.	312/45
6,276,538	B1	*	8/2001	Battaglia et al.	108/108
6,585,120	B2	*	7/2003	Robertson	211/59.2

2001/0020605	A1	*	9/2001	Battaglia et al.	211/59.2
2001/0045403	A1	*	11/2001	Robertson	211/74
2002/0033373	A1	*	3/2002	Robertson	211/184

OTHER PUBLICATIONS

Gondola End Unit #2311-2319, p. 42, Reeve Store Equipment catalog 76.*

* cited by examiner

Primary Examiner—Mimosa De

(74) *Attorney, Agent, or Firm*—Woodard, Emhardt, Moriarty, McNett & Henry LLP

(57) **CLAIM**

The ornamental design for game table display rack, as shown and described.

DESCRIPTION

FIG. 1 is a perspective view of a game table display rack, with a game table and signs shown in broken lines for illustrative purposes only and forming no part of the claimed design, showing our new design.

FIG. 2 is an enlarged perspective view of the game table display rack.

FIG. 3 is a front view thereof.

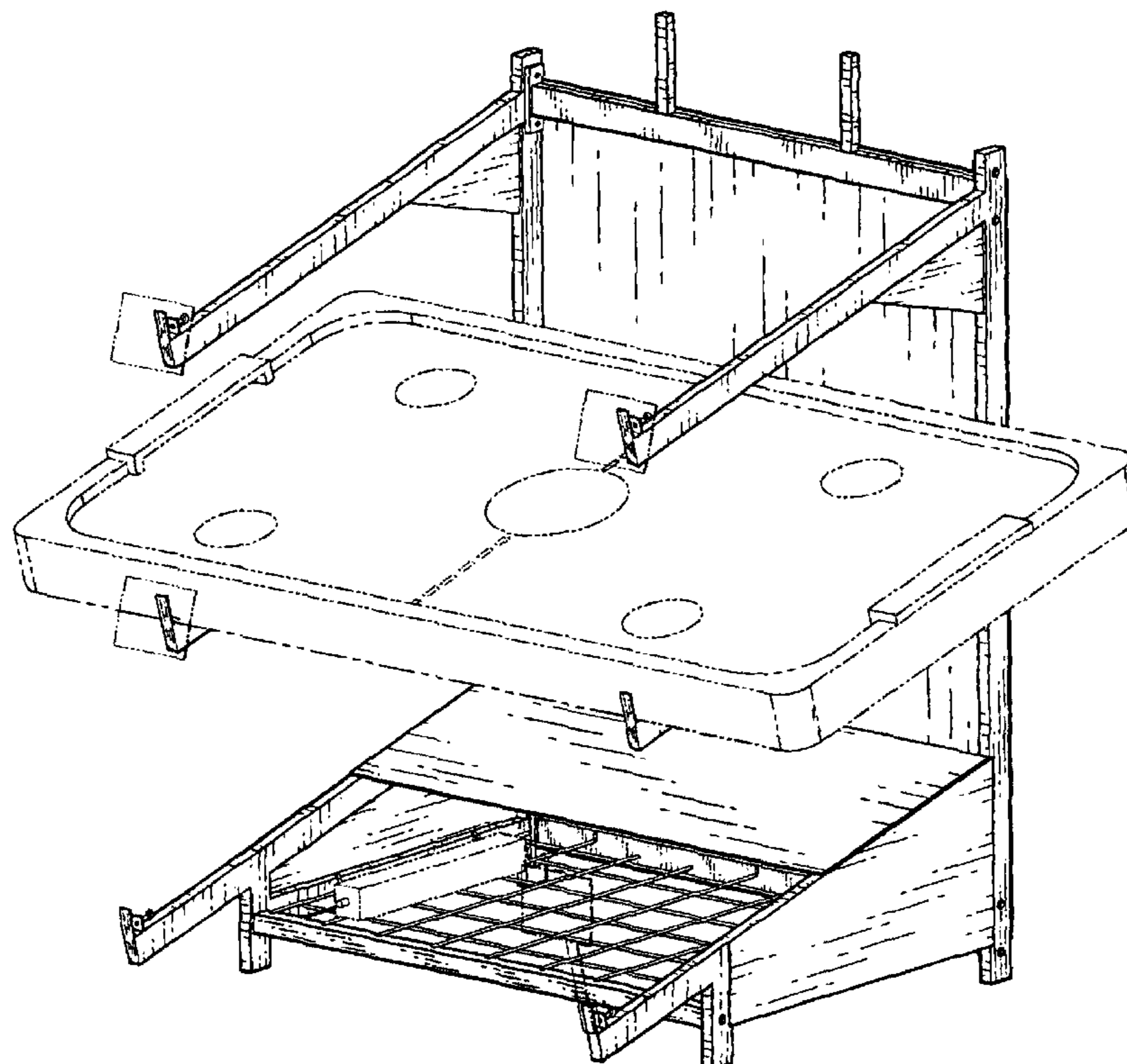
FIG. 4 is a side view thereof, the other side being a mirror image thereof.

FIG. 5 is a top view thereof.

FIG. 6 is a bottom view thereof; and,

FIG. 7 is a rear view thereof.

1 Claim, 6 Drawing Sheets



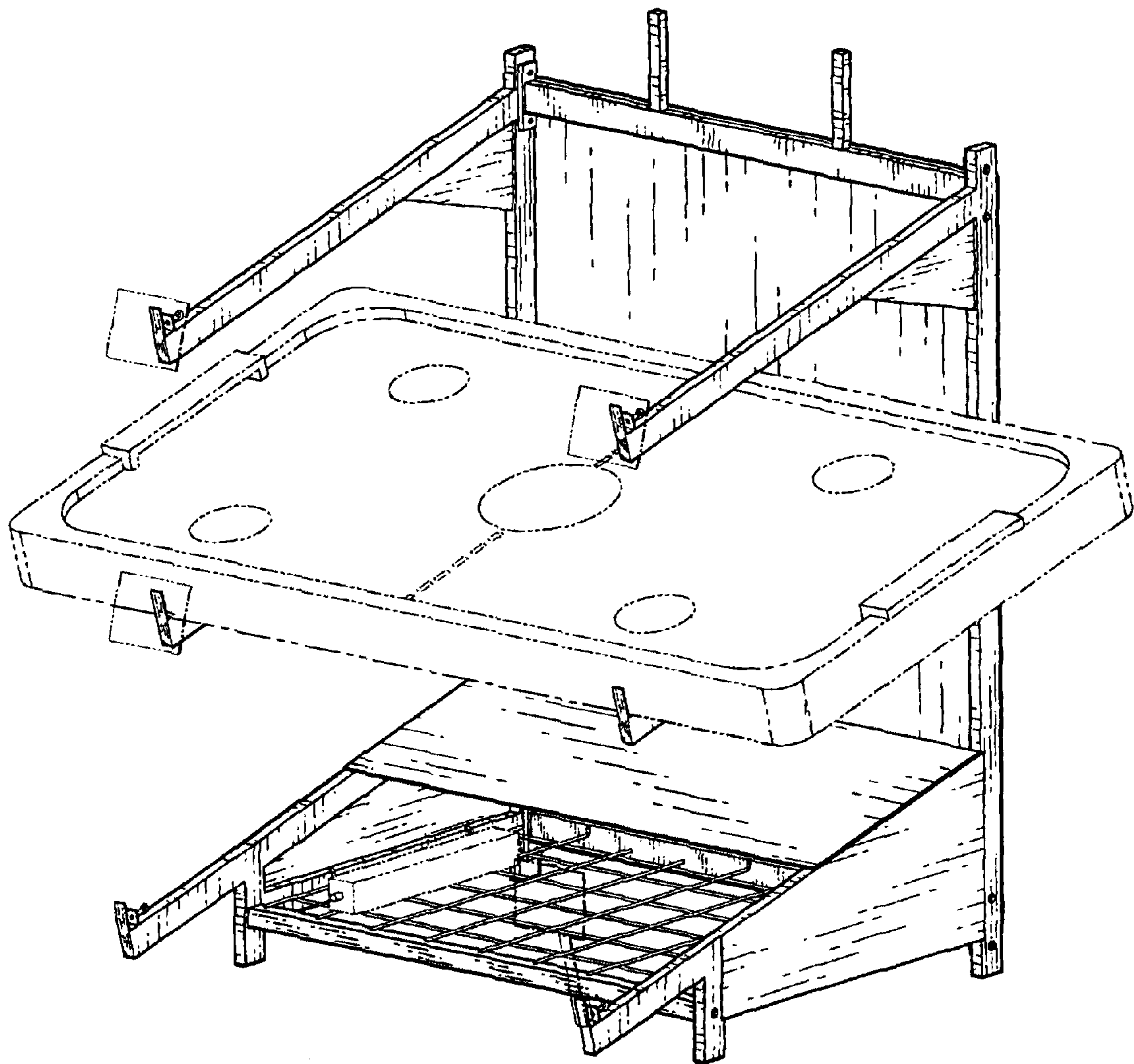


Fig. 1

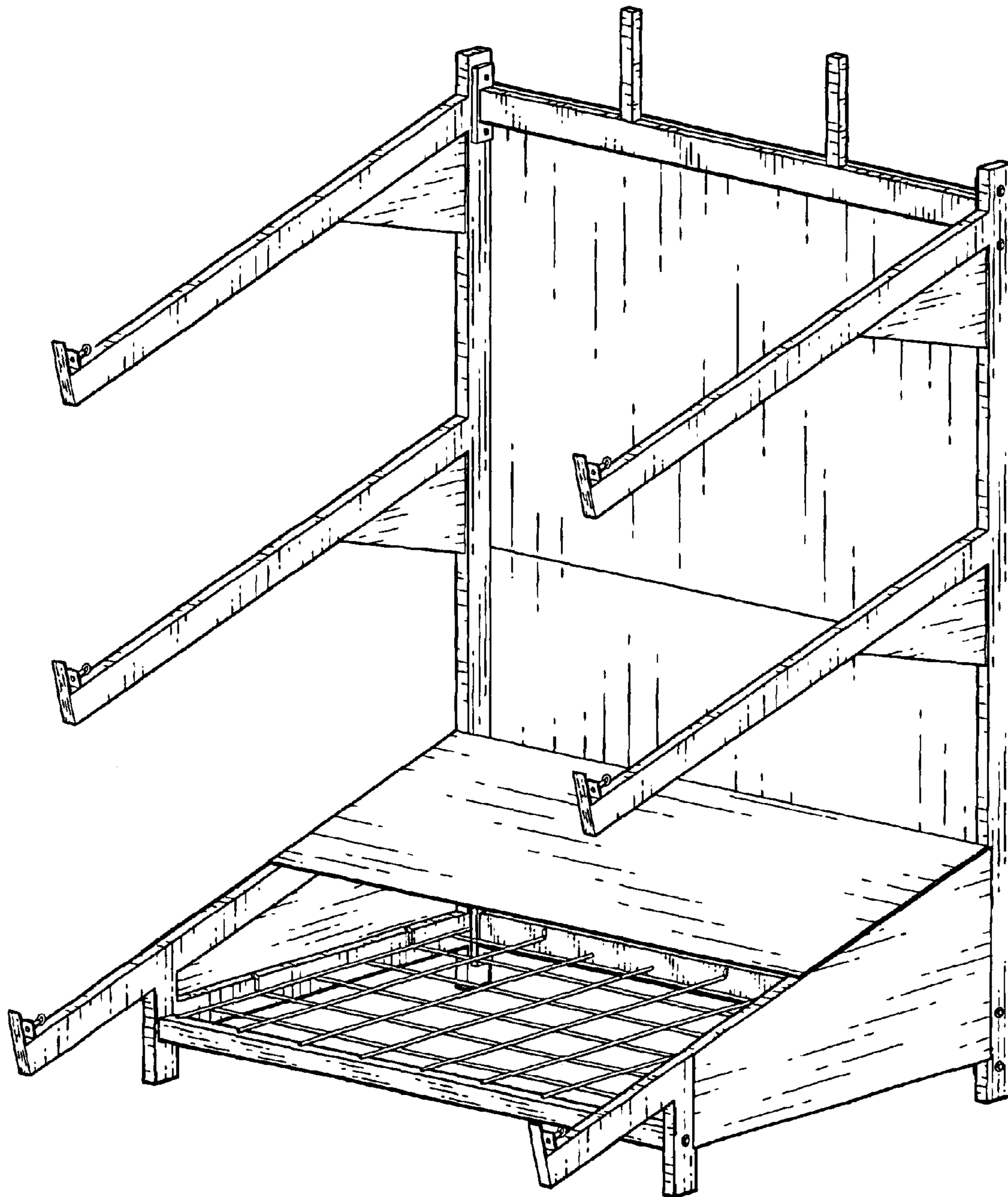


Fig. 2

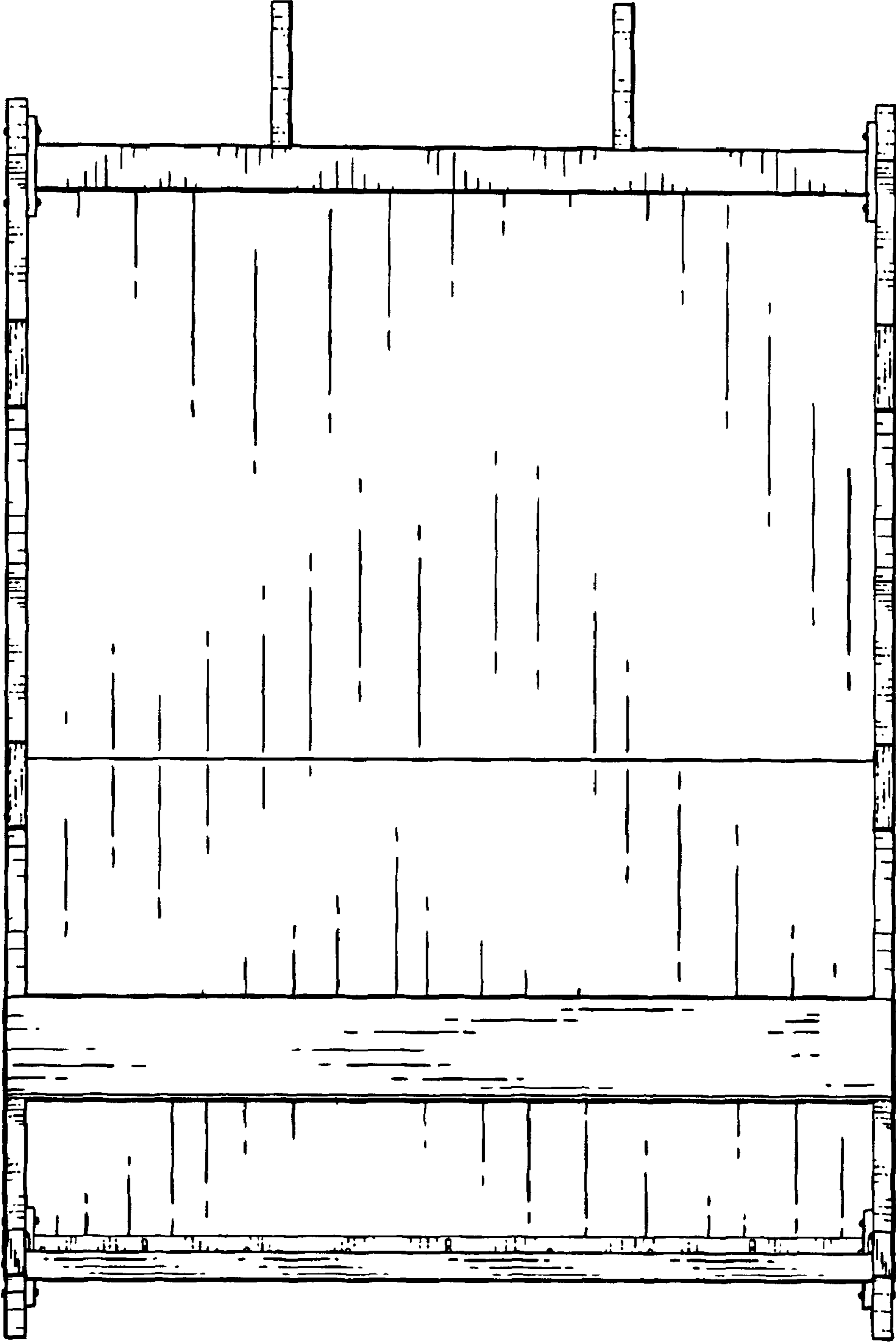


Fig. 3

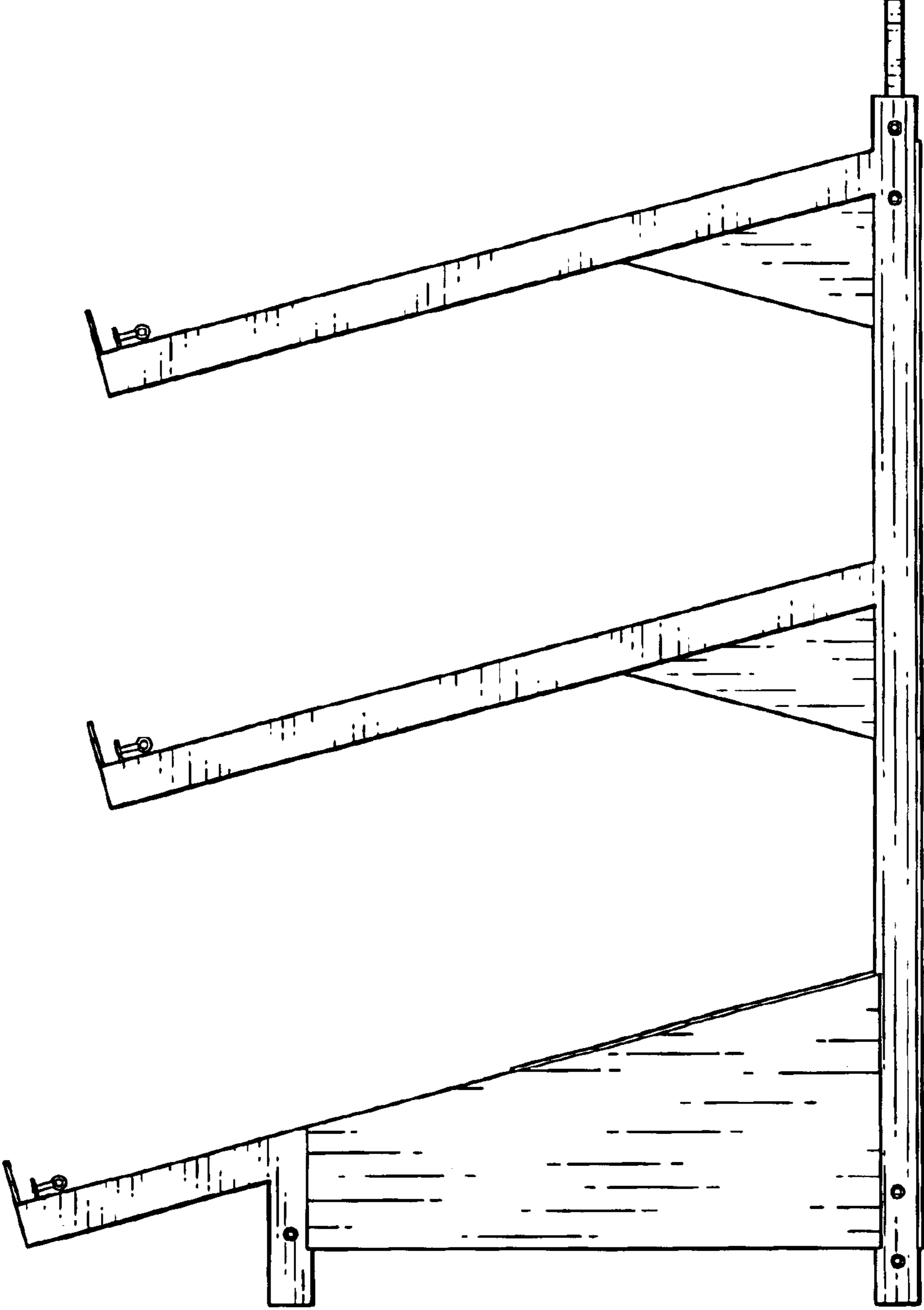


Fig. 4

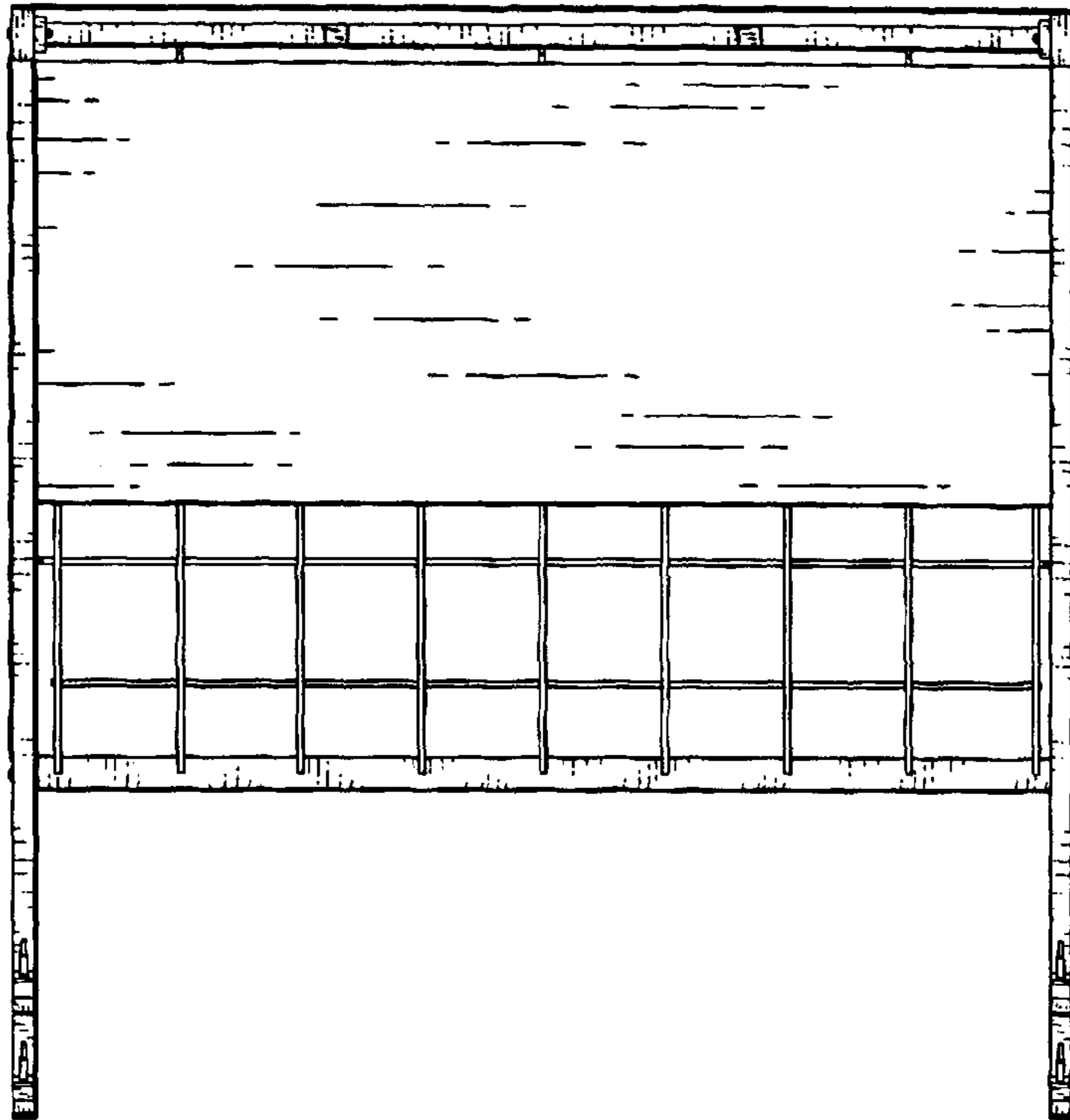


Fig. 5

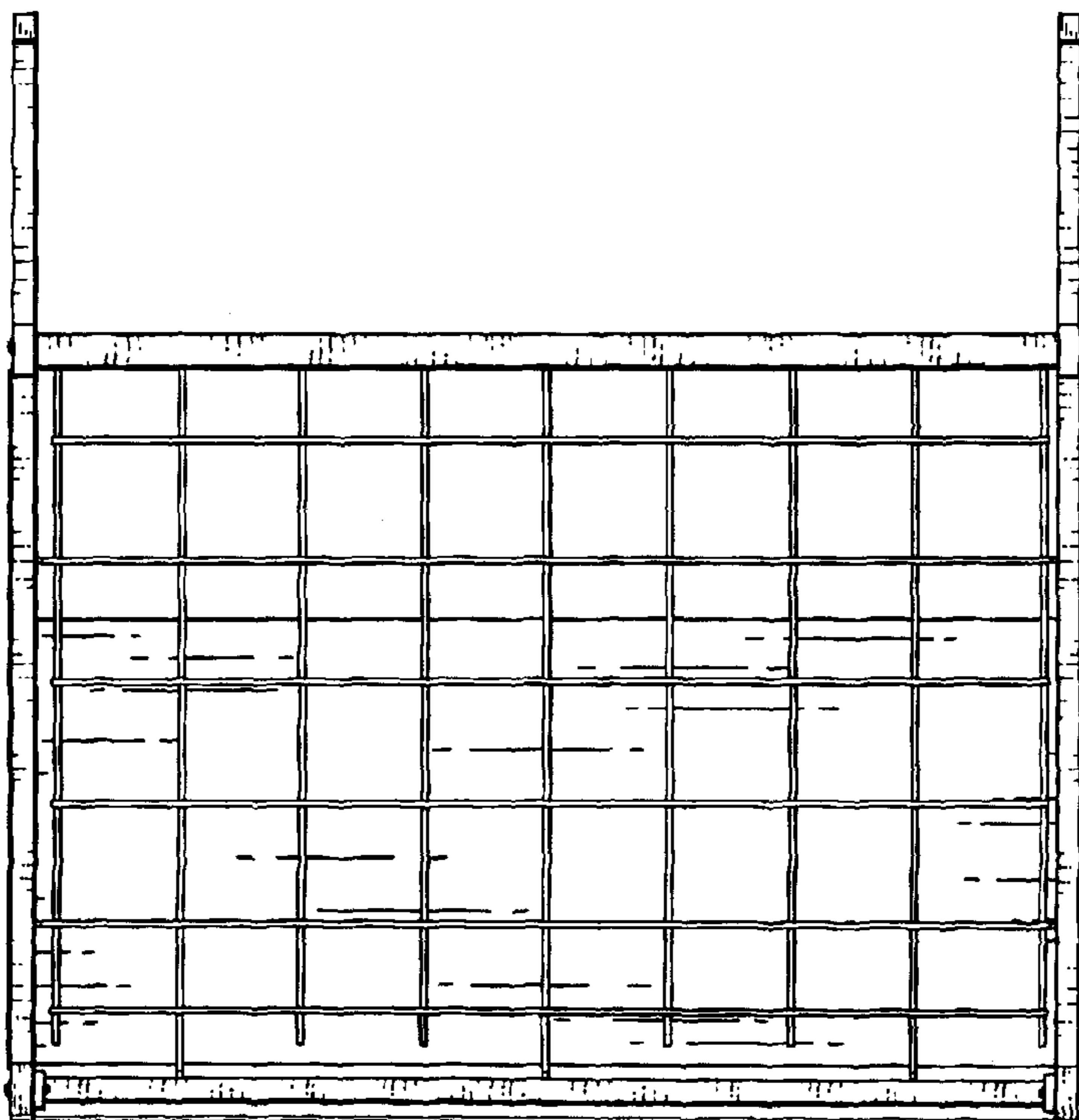


Fig. 6

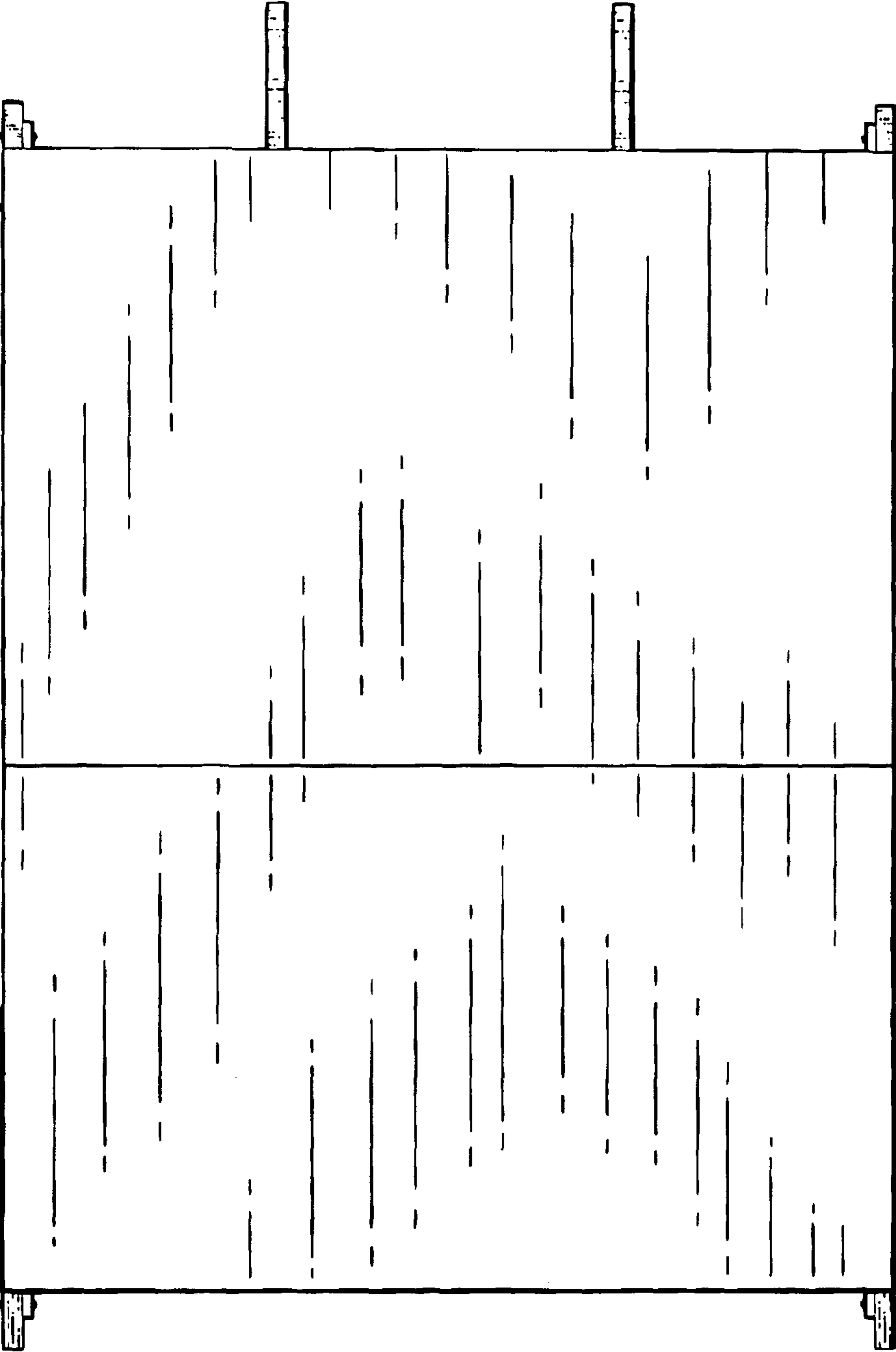


Fig 7