



US00D495530S1

(12) **United States Design Patent**
Marsden et al.

(10) **Patent No.:** **US D495,530 S**
(45) **Date of Patent:** **** Sep. 7, 2004**

(54) **BAR IMPLEMENT STAND**

(75) Inventors: **Douglas A. Marsden**, Marblehead, MA (US); **Benjamin J. Beck**, Boston, MA (US)

(73) Assignee: **World Kitchen (GHC), LLC**, Reston, VA (US)

(**) Term: **14 Years**

(21) Appl. No.: **29/191,976**

(22) Filed: **Oct. 16, 2003**

(51) **LOC (7) Cl.** **06-04**

(52) **U.S. Cl.** **D6/467; D6/468**

(58) **Field of Search** D6/466, 467, 468-470, D6/472, 475-477, 481, 553; D7/553.1; D9/415, 341, 517; 206/217, 427, 765, 775, 779; 211/13.1, 139, 71.01, 74; 312/140.1, 140.2

(56) **References Cited**

U.S. PATENT DOCUMENTS

D169,077 S * 3/1953 Mains, Jr. D6/469

4,842,350 A * 6/1989 Collings 211/74
D328,206 S * 7/1992 Lewis D6/481
5,536,080 A * 7/1996 Madimenos et al. 312/140.1
D416,421 S * 11/1999 Hampshire D6/553

* cited by examiner

Primary Examiner—Mimosa De

(74) *Attorney, Agent, or Firm*—Seyfarth Shaw LLP

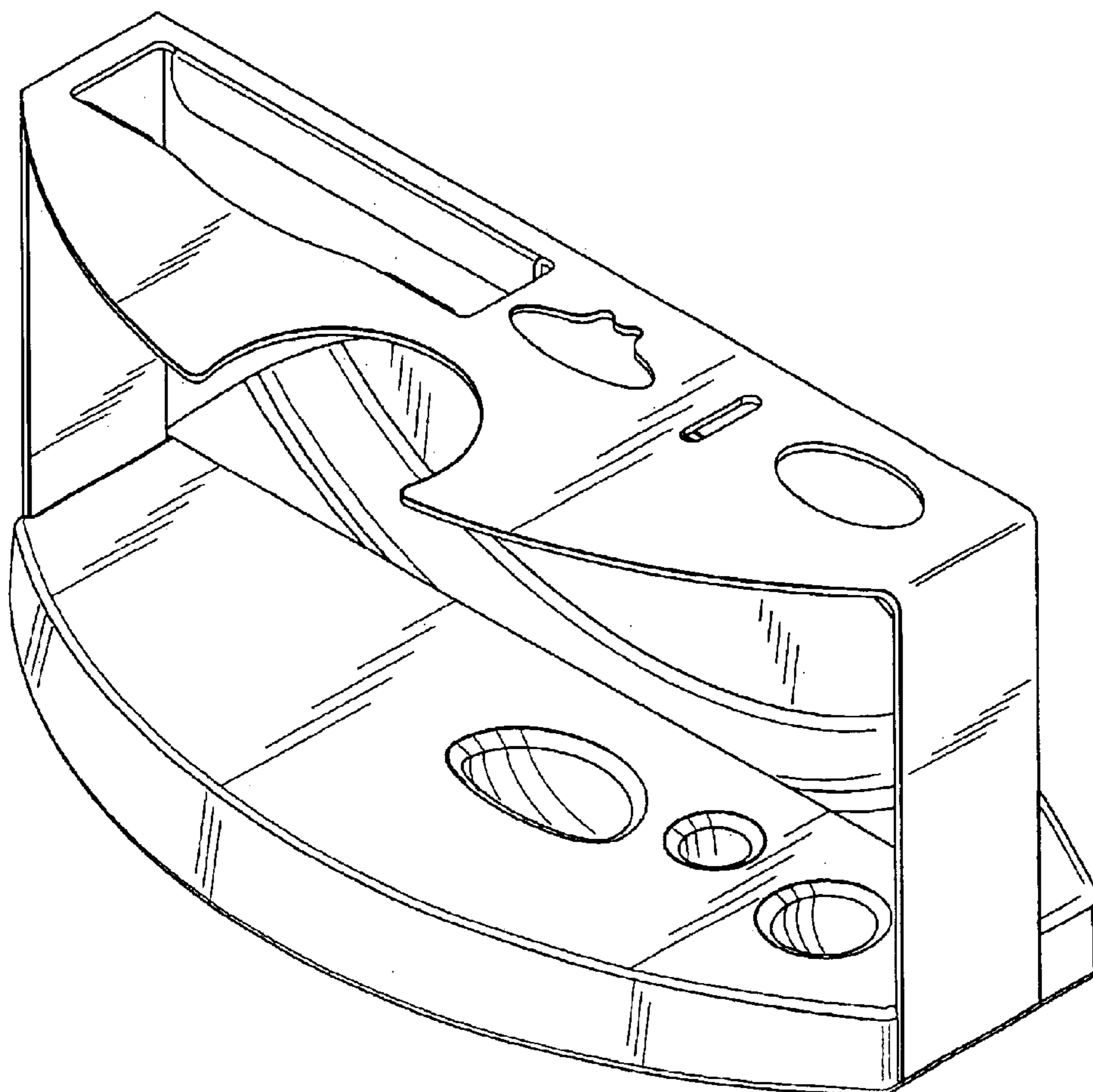
(57) **CLAIM**

The ornamental design for the bar implement stand, as shown and described.

DESCRIPTION

FIG. 1 is a perspective view of the bar implement stand incorporating our new design;
FIG. 2 is a top plan view thereof;
FIG. 3 is a bottom plan view thereof;
FIG. 4 is a front elevational view thereof;
FIG. 5 is a rear elevational view thereof;
FIG. 6 is a side elevational view of one side thereof, the other side being identical; and,
FIG. 7 is a cross sectional view taken along the line 7—7 of FIG. 2.

1 Claim, 3 Drawing Sheets



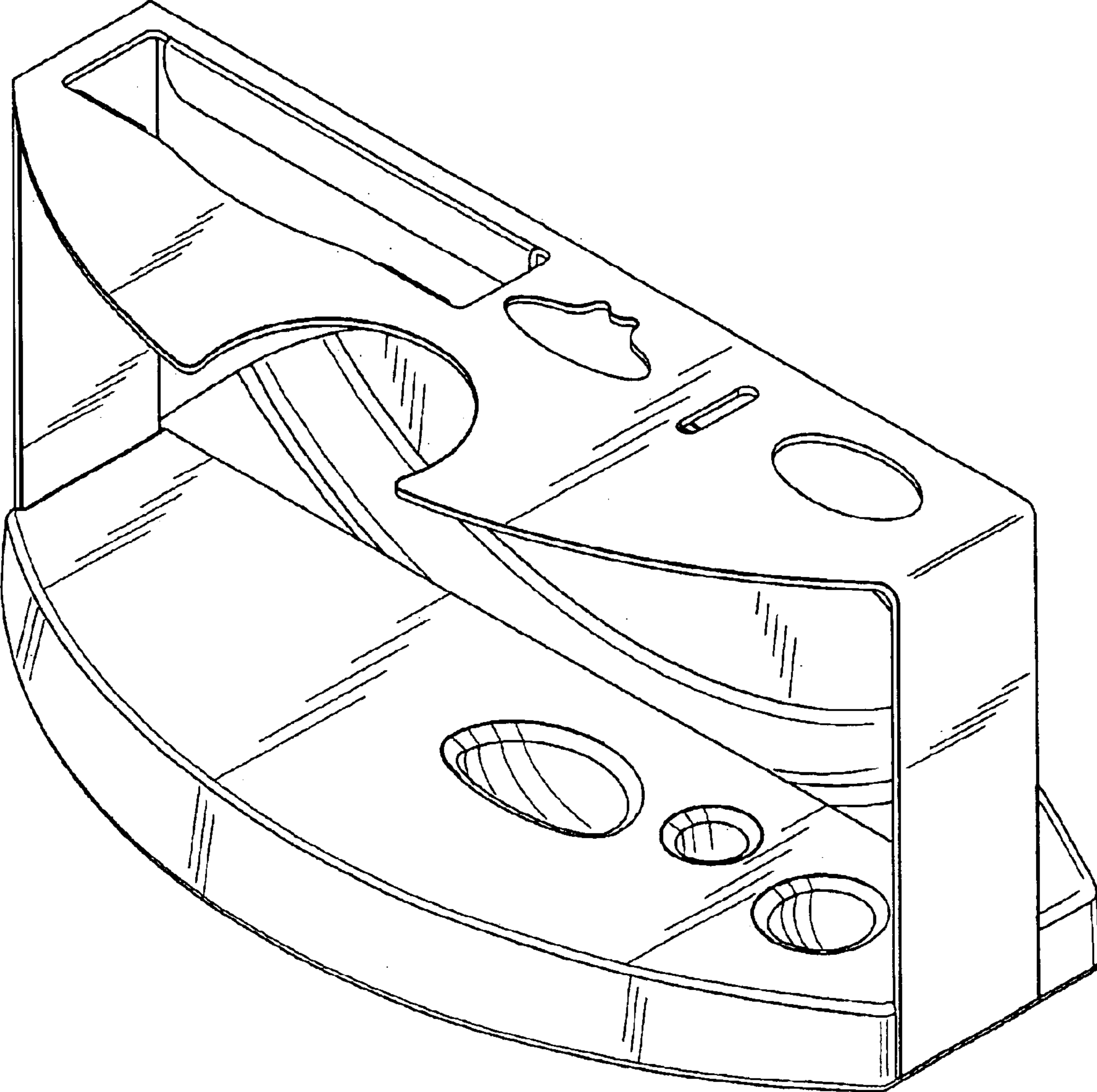


FIG. 1

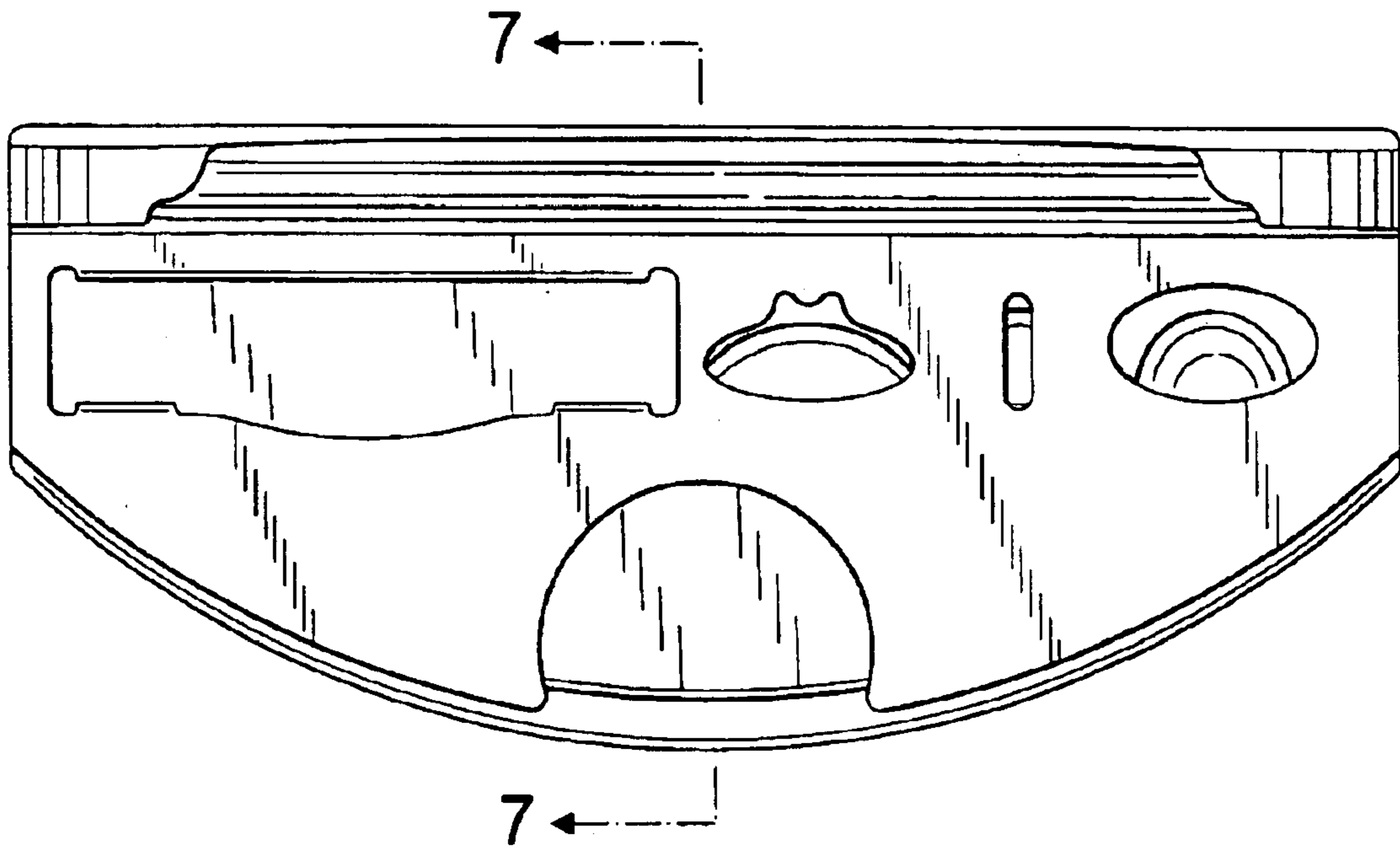


FIG. 2

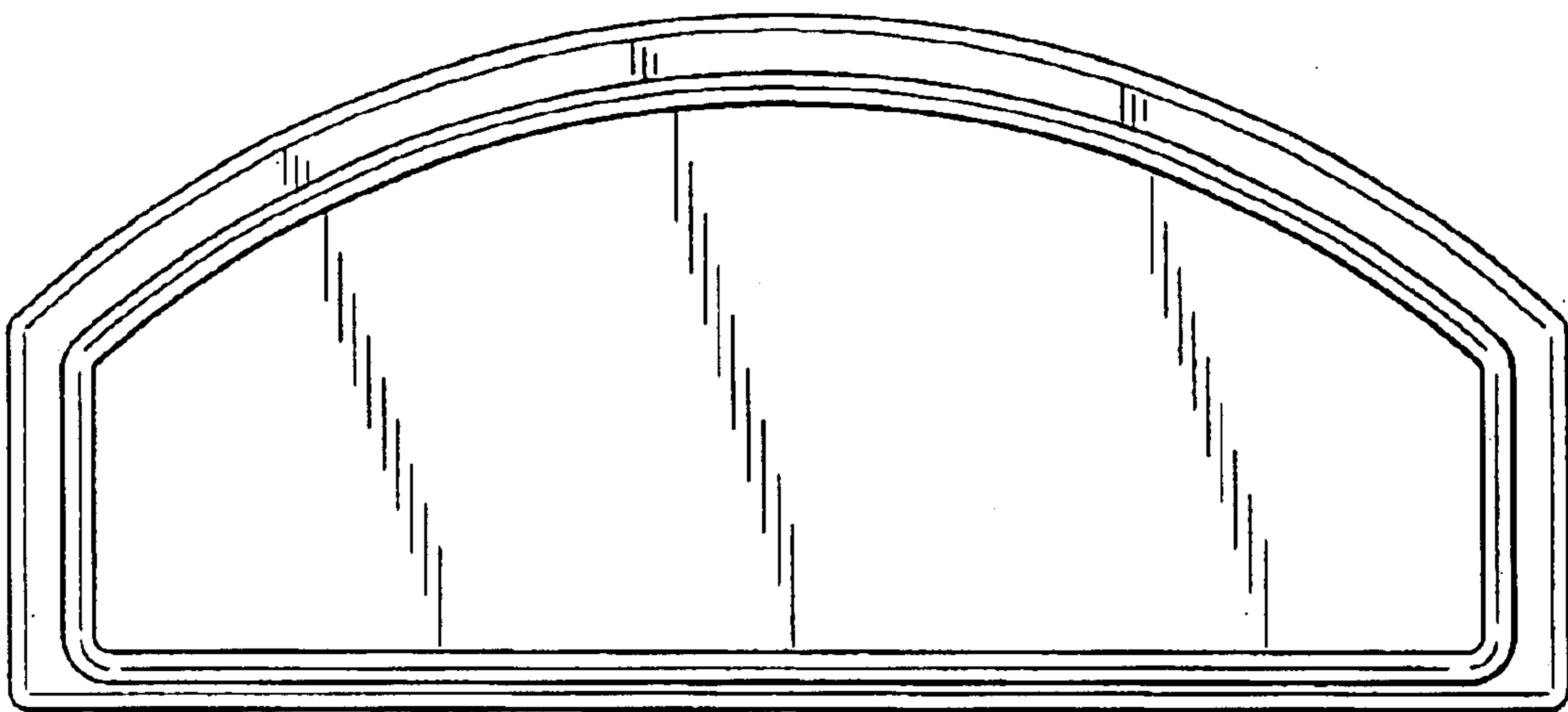


FIG. 3

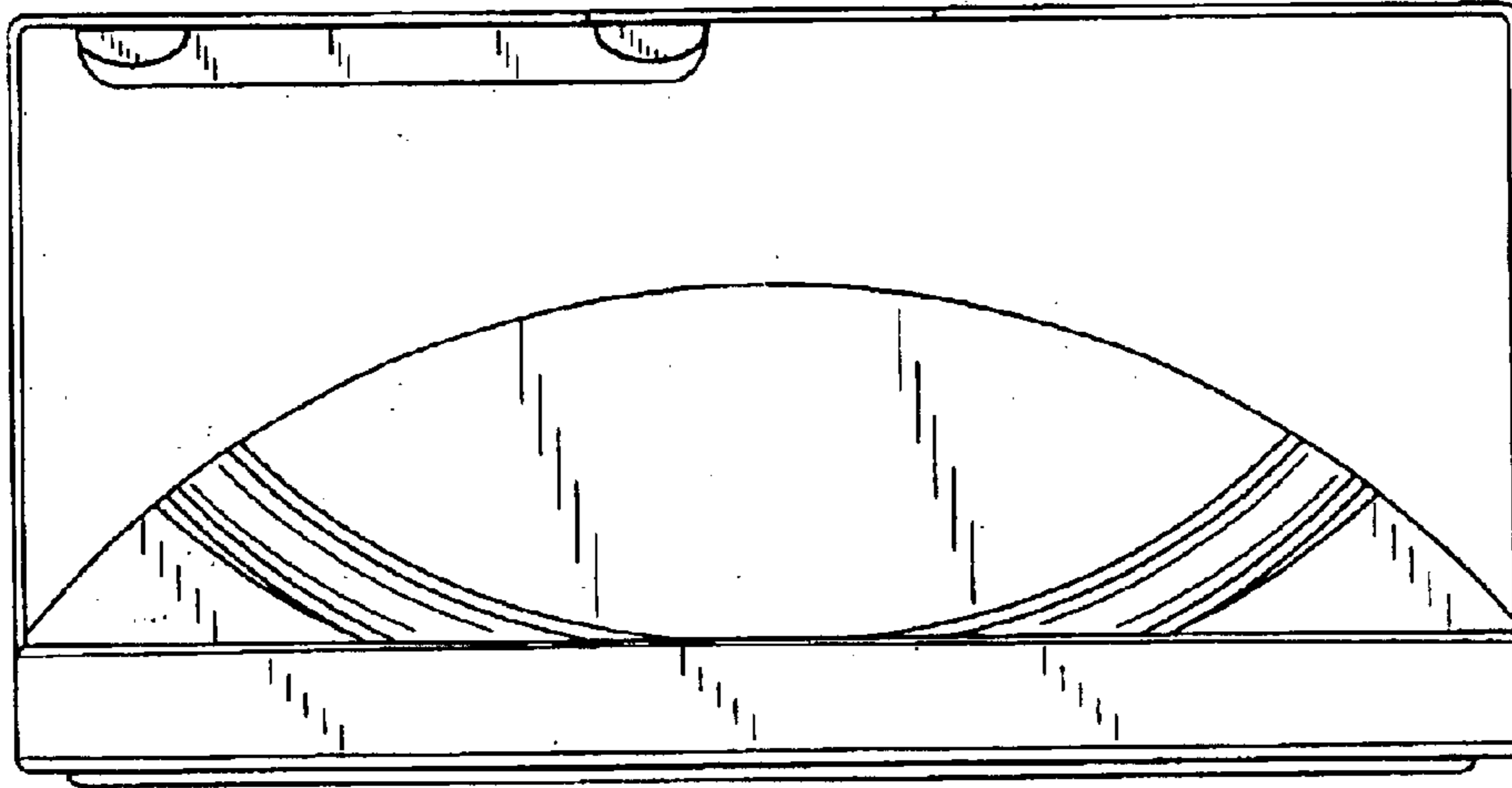


FIG. 4

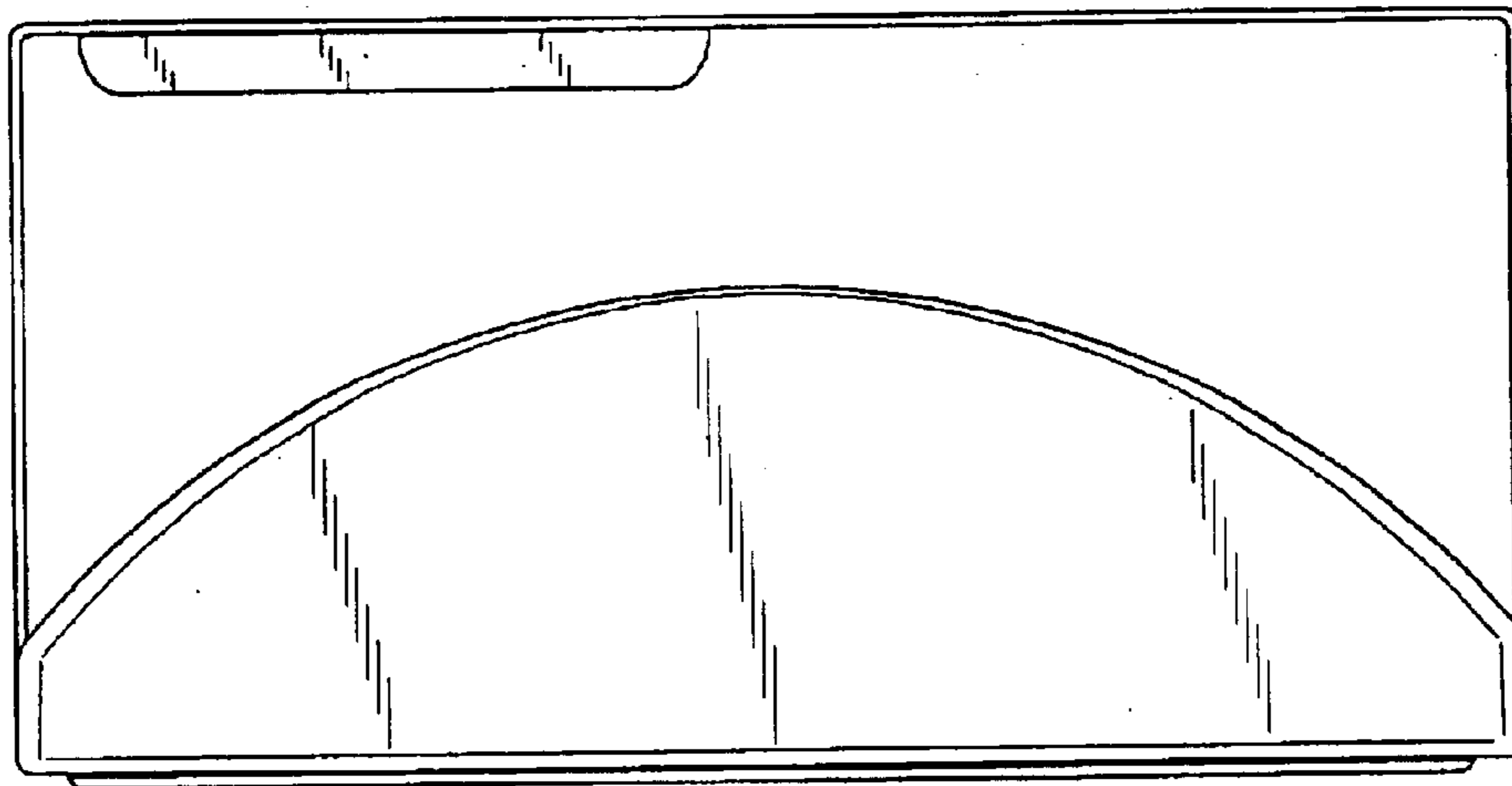


FIG. 5

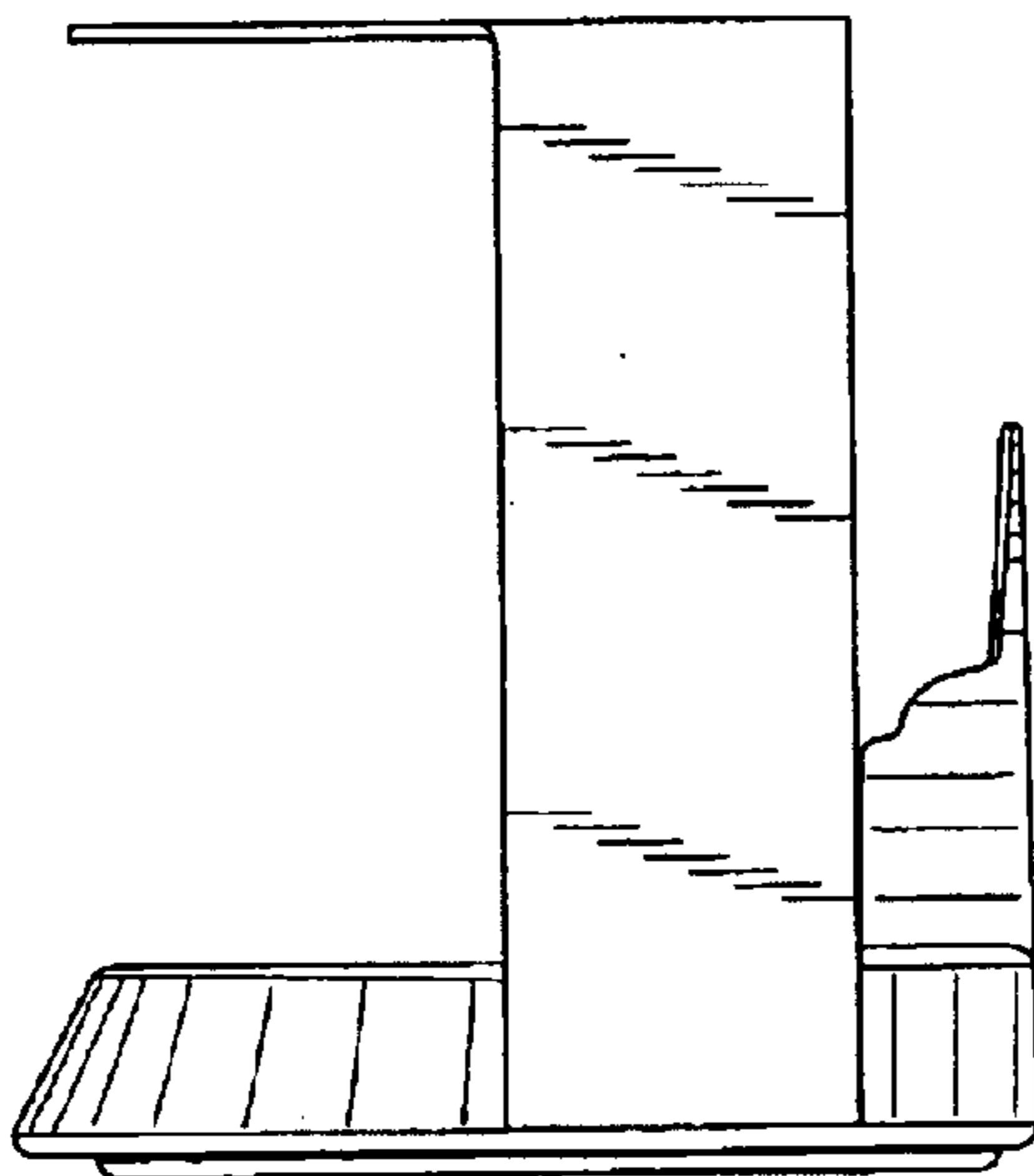


FIG. 6

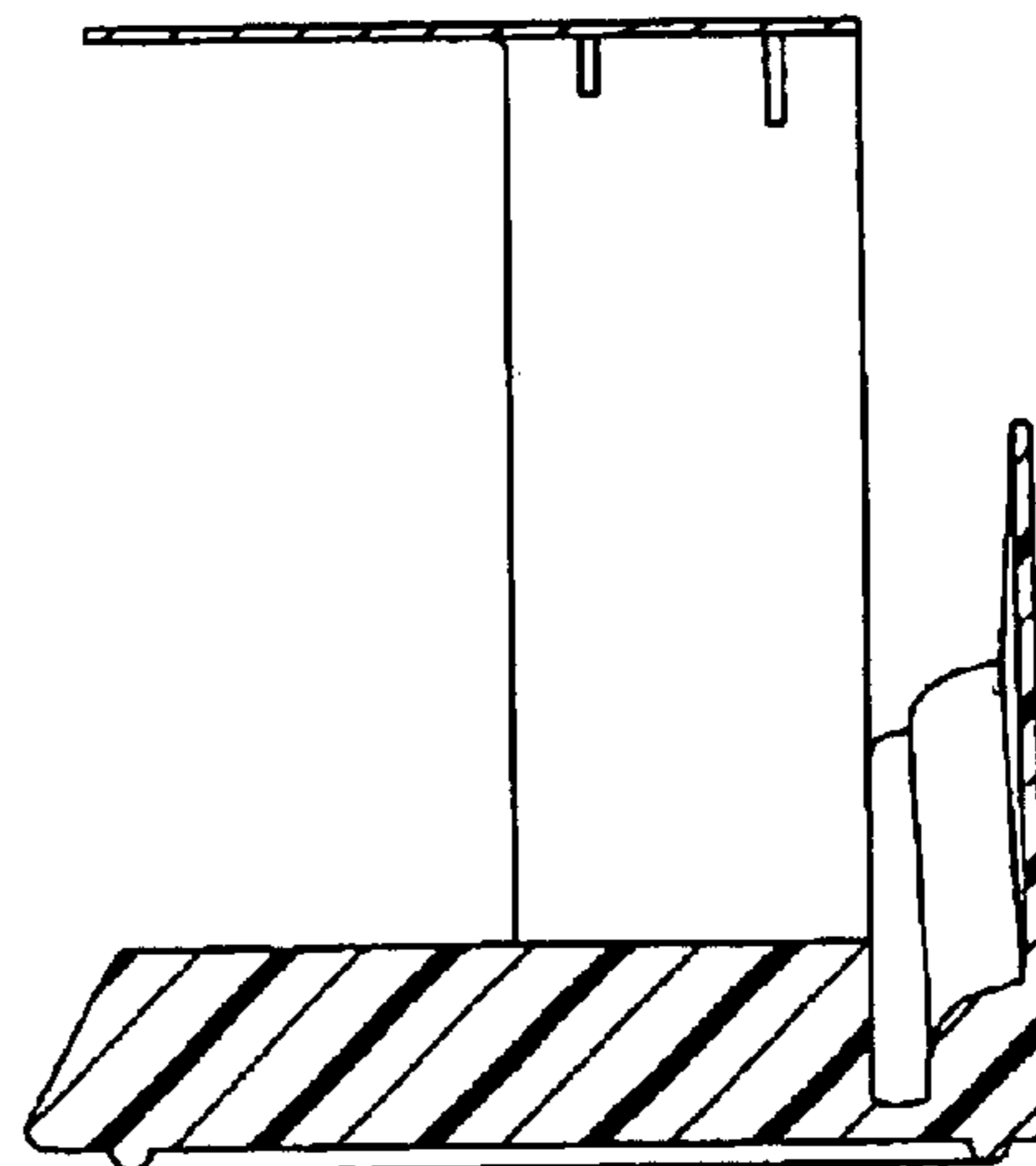


FIG. 7