

US00D495529S1

(12) **United States Design Patent**  
**Goodell**

(10) **Patent No.:** **US D495,529 S**

(45) **Date of Patent:** **\*\* Sep. 7, 2004**

(54) **MINI-BASKET STAND**

(75) **Inventor:** **D. Philip Goodell**, Brentwood, TN  
(US)

(73) **Assignee:** **Good L Corporation**, LaVergne, TN  
(US)

(\*\*) **Term:** **14 Years**

(21) **Appl. No.:** **29/182,303**

(22) **Filed:** **May 23, 2003**

(51) **LOC (7) Cl.** ..... **06-04**

(52) **U.S. Cl.** ..... **D6/466**

(58) **Field of Search** ..... D6/405, 449, 462-468,  
D6/475, 477-479; D3/304, 307-309; 206/203,  
510, 503-507; 211/13.1, 188, 188.1, 133.1,  
133.2, 126.1, 194; D32/37; 217/122, 125;  
220/675, 676, DIG. 12

(56) **References Cited**

**U.S. PATENT DOCUMENTS**

D180,617 S	*	7/1957	Patterson	.....	D6/464
D213,151 S	*	1/1969	Groth	.....	D6/465
D218,722 S		9/1970	Vaccaro		
3,547,309 A		12/1970	Pusey et al.		
D229,383 S	*	11/1973	Rollins, Jr.	.....	D6/465
D242,660 S		12/1976	Astle		
D269,218 S		5/1983	Berman		
D276,281 S	*	11/1984	Landgren	.....	D3/309
D282,797 S	*	3/1986	Dixon	.....	D6/465
D283,457 S		4/1986	Smith		
D290,179 S		6/1987	Peltola		
D291,164 S	*	8/1987	Luyk et al.	.....	D6/465
D295,931 S	*	5/1988	Bezzarides	.....	D6/463
D326,552 S		5/1992	Goodell		
D347,098 S		5/1994	Hummel et al.		
D358,727 S	*	5/1995	Dickinson et al.	.....	D6/470
D364,961 S		12/1995	Rehrig		
D382,999 S		9/1997	Rehrig		

D384,815 S		10/1997	Rehrig
5,715,968 A		2/1998	Fink et al.
D395,362 S		6/1998	Fink et al.
D397,250 S		8/1998	Fink et al.
D401,065 S		11/1998	Peltola
D416,683 S		11/1999	Lacy et al.
6,039,205 A		3/2000	Flink
D438,010 S		2/2001	Drury et al.
D471,713 S		3/2003	Speed

\* cited by examiner

*Primary Examiner*—Mimosa De

(74) *Attorney, Agent, or Firm*—Smith, Gambrell & Russell

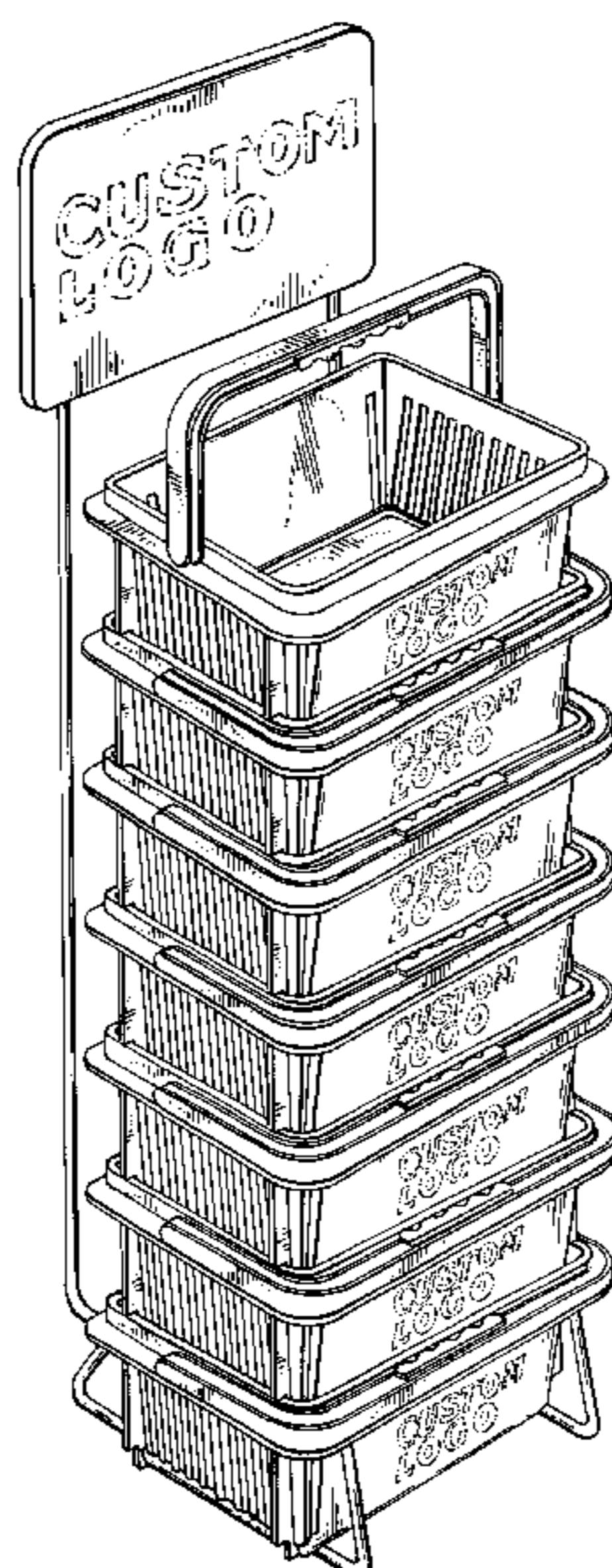
(57) **CLAIM**

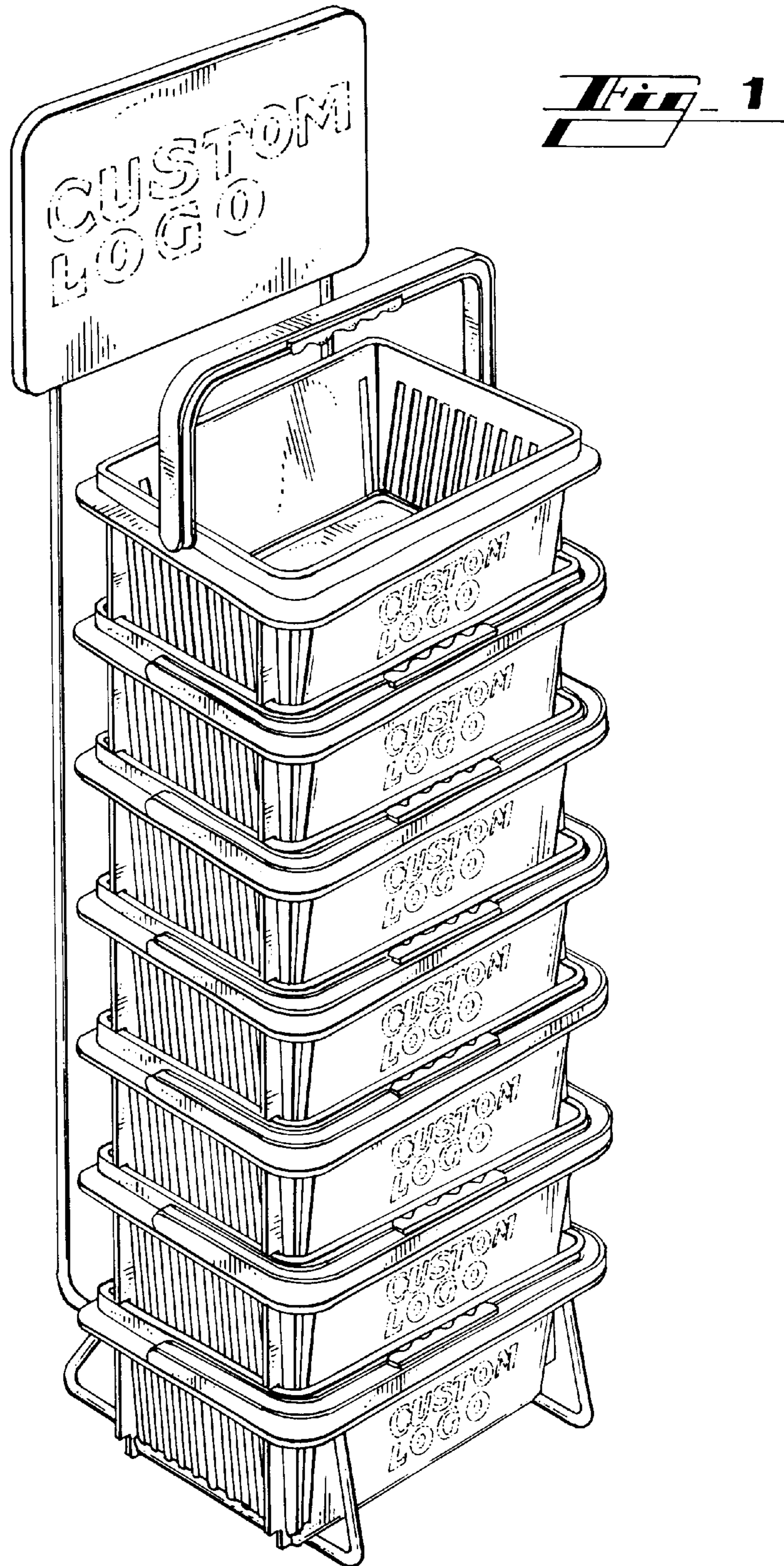
The ornamental design for a mini-basket stand, as shown and described.

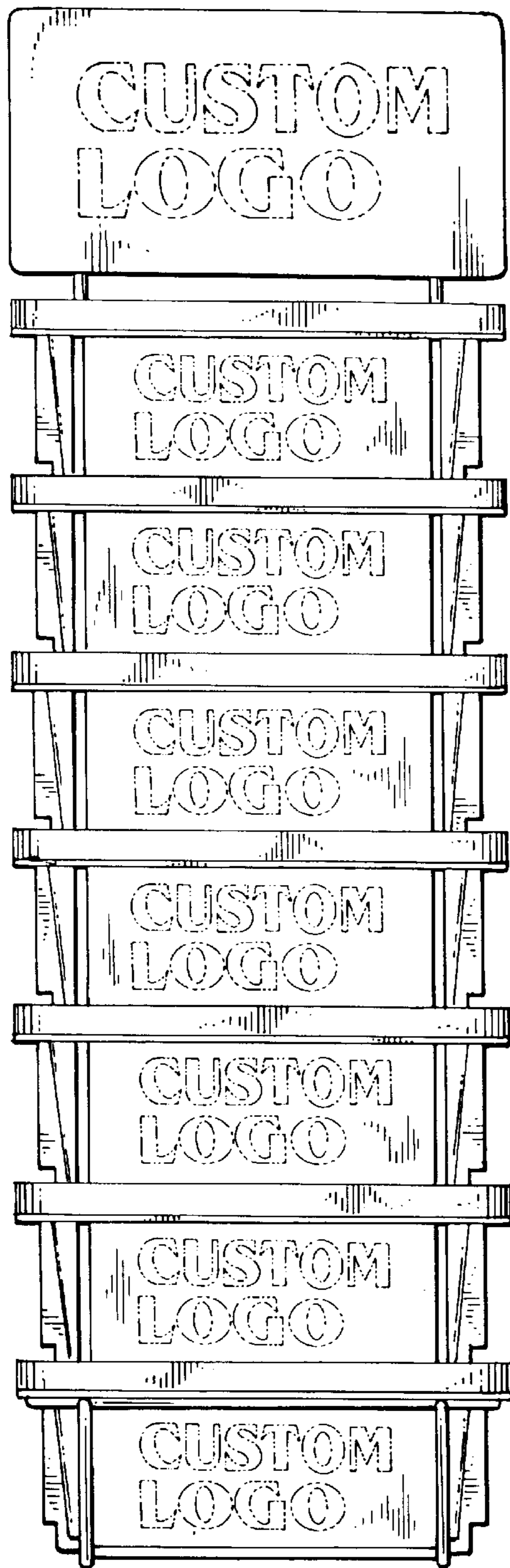
**DESCRIPTION**

FIG. 1 is a perspective view of the mini-basket stand of the present invention;  
 FIG. 2 is a front elevational view of the present invention with the handle folded in a different position;  
 FIG. 3 is a left side elevational view of FIG. 2;  
 FIG. 4 is a rear elevational view of FIG. 2;  
 FIG. 5 is a right side elevational view of FIG. 2;  
 FIG. 6 is a top plan view of FIG. 2;  
 FIG. 7 is a bottom view of FIG. 2;  
 FIG. 8 is an enlarged perspective view of one basket of the mini-basket stand of the present invention, the basket shown separately for completeness of illustration;  
 FIG. 9 is a front elevational view of the basket shown in FIG. 8;  
 FIG. 10 is a side elevational view of the basket shown in FIG. 8;  
 FIG. 11 is a top plan view of the basket shown in FIG. 8; and,  
 FIG. 12 is a bottom view of the basket shown in FIG. 8.  
 The broken lines shown in the Figures are for illustrative purposes only and form no part of the claimed design.

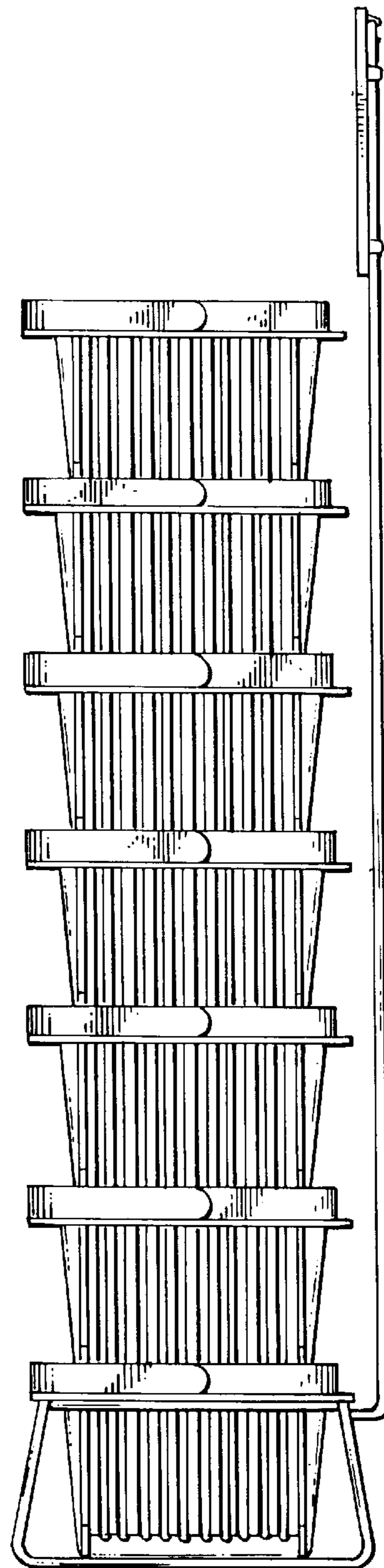
**1 Claim, 7 Drawing Sheets**



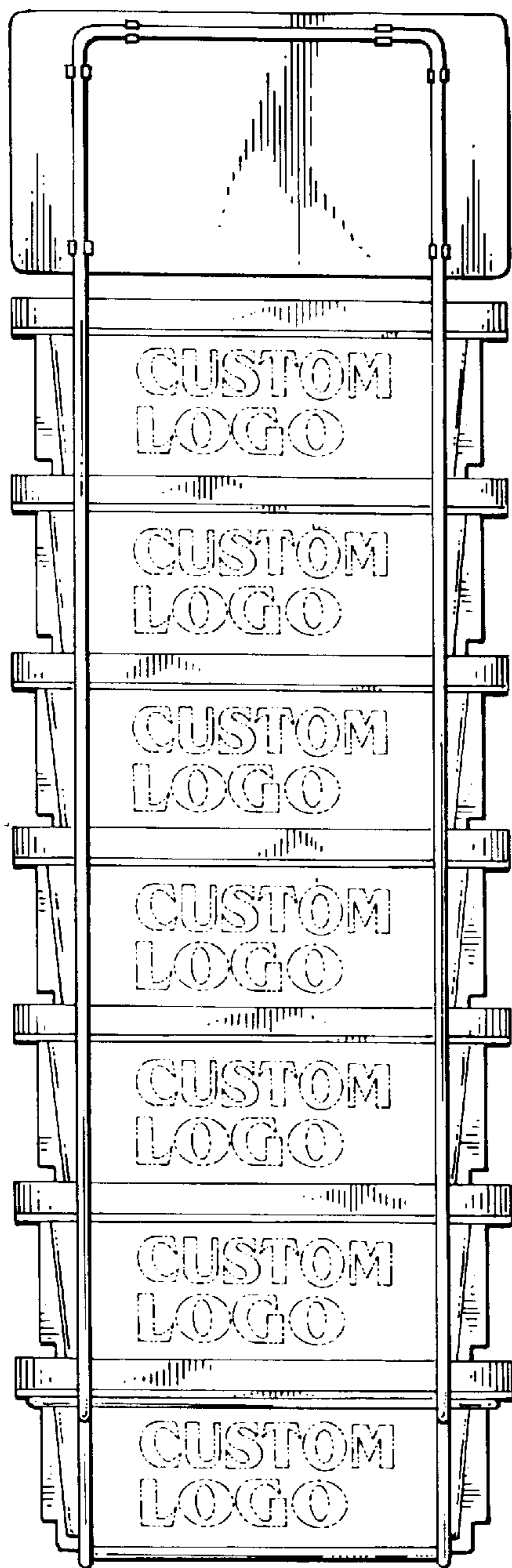




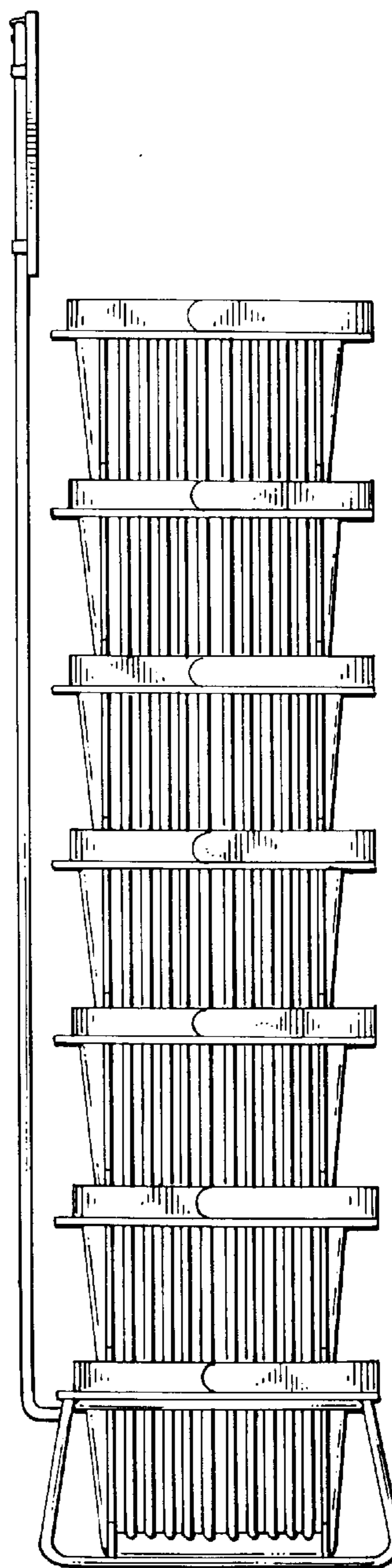
**Fig. 2**



**Fig. 3**

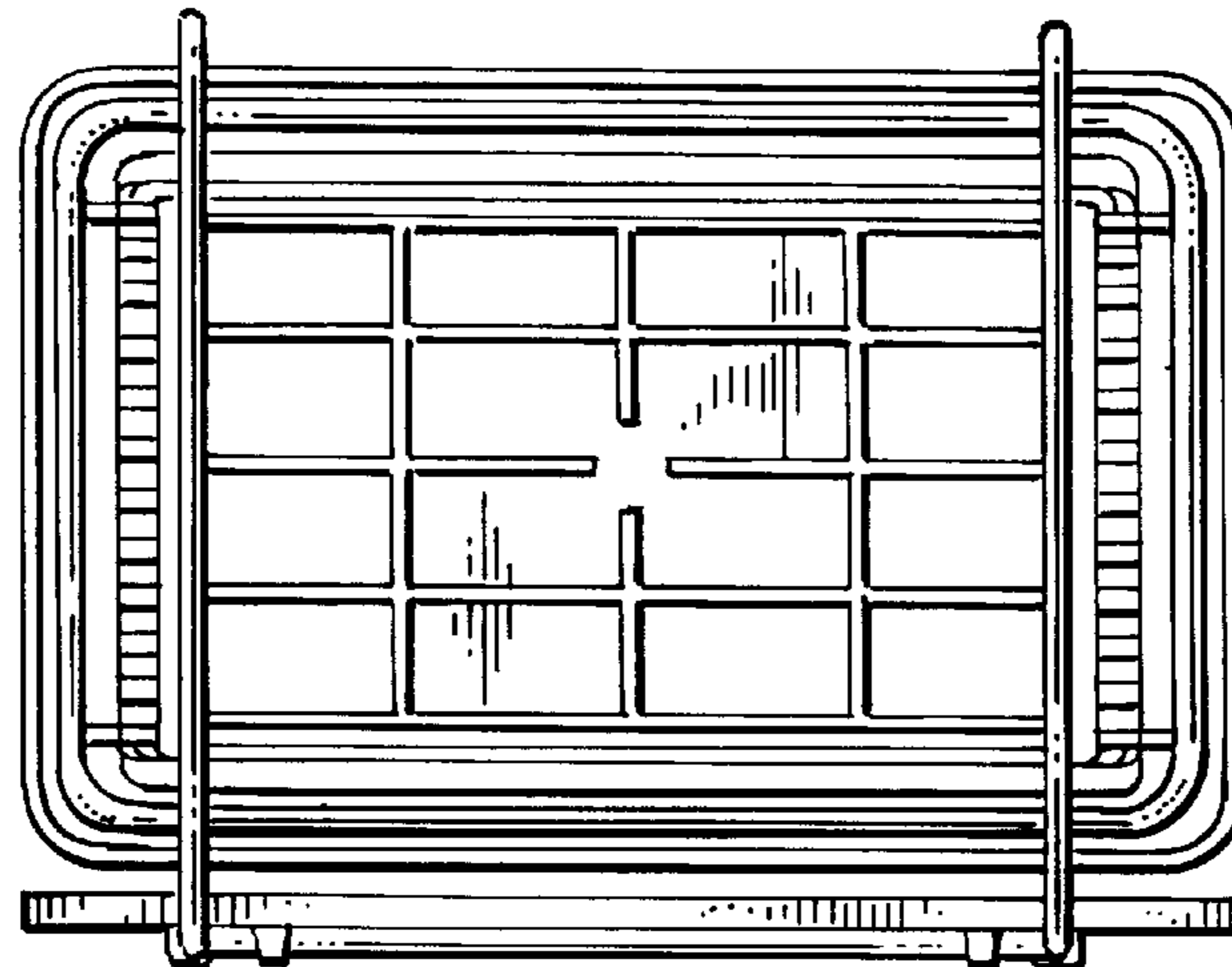
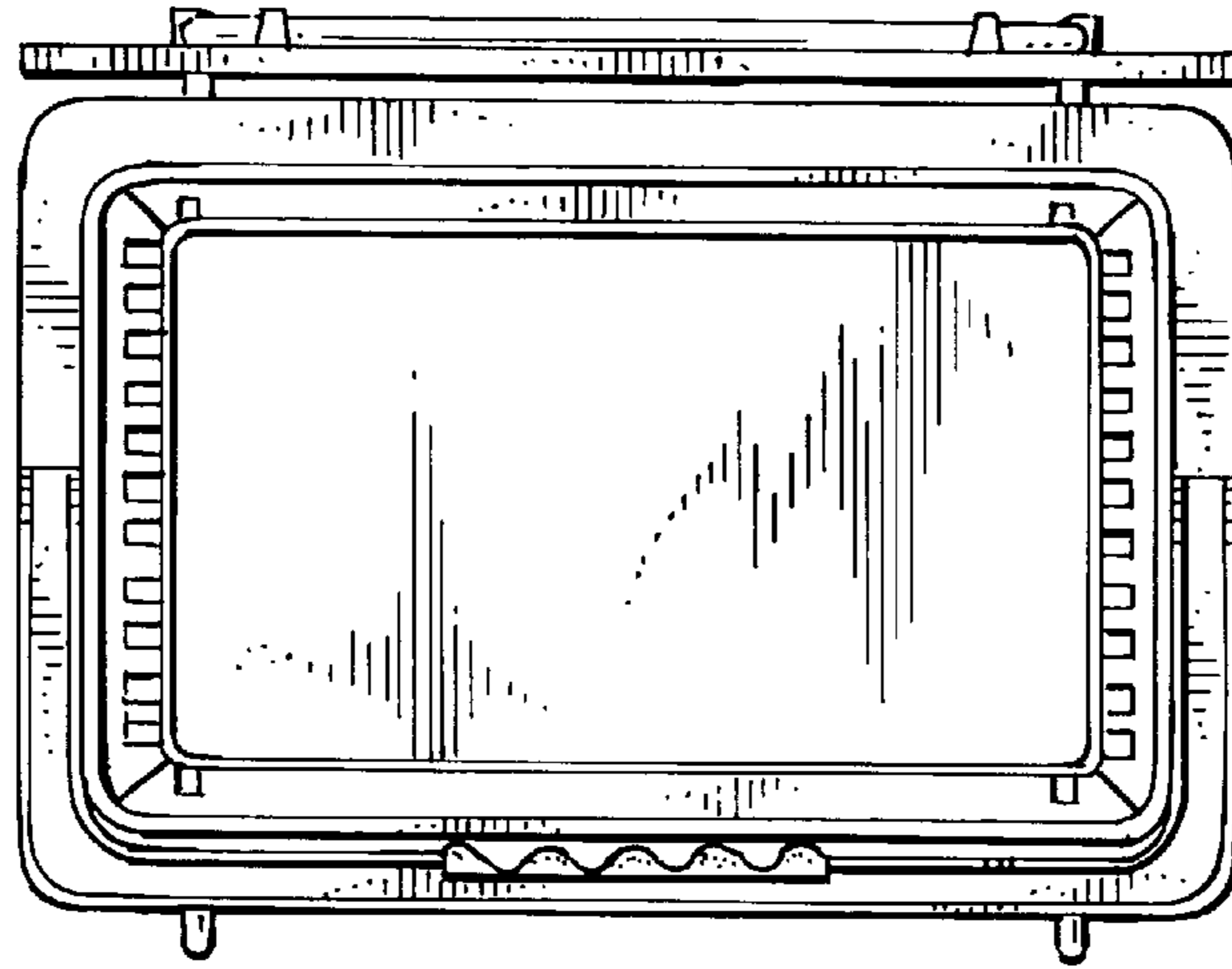


**Fig. 4**

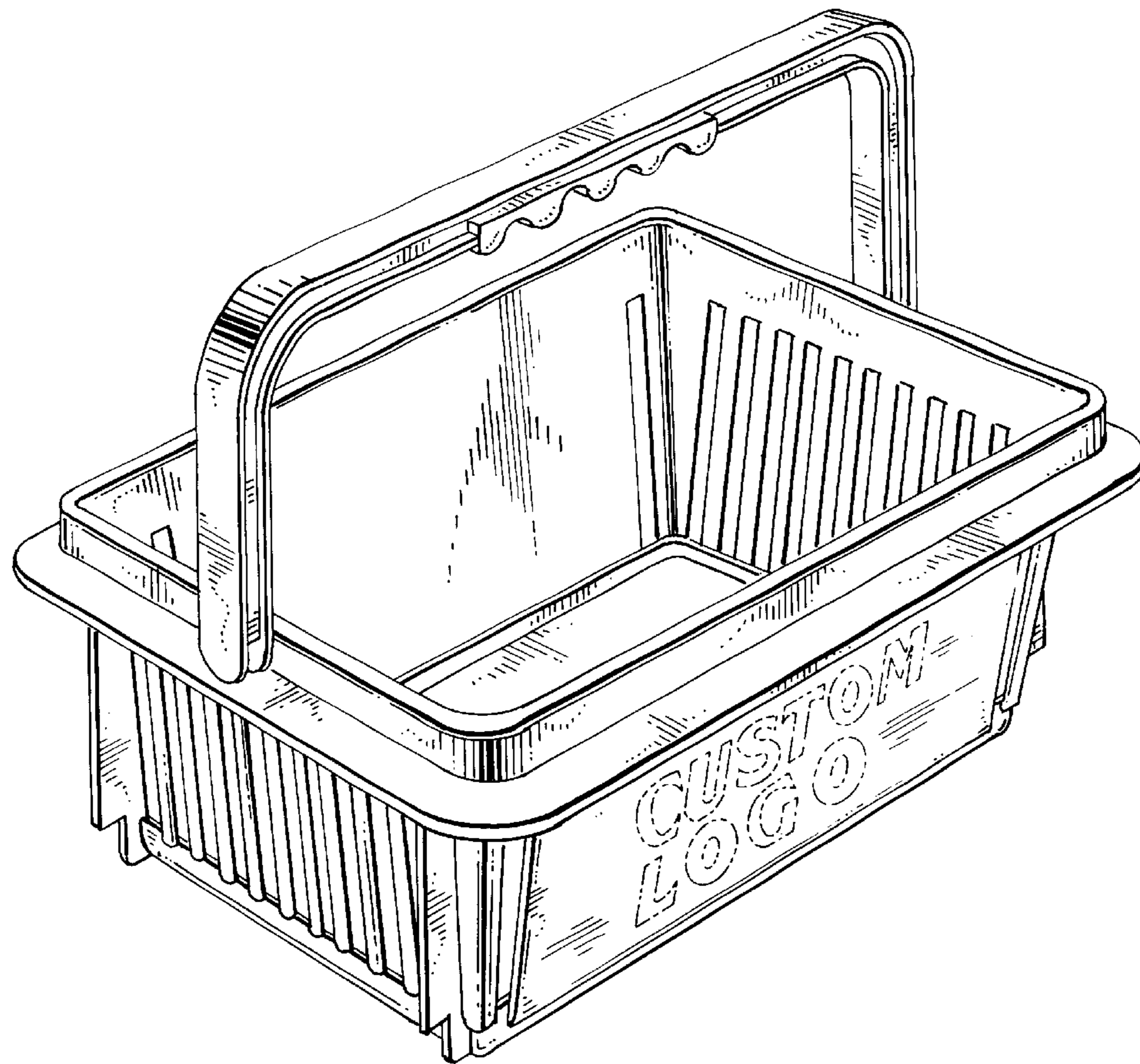


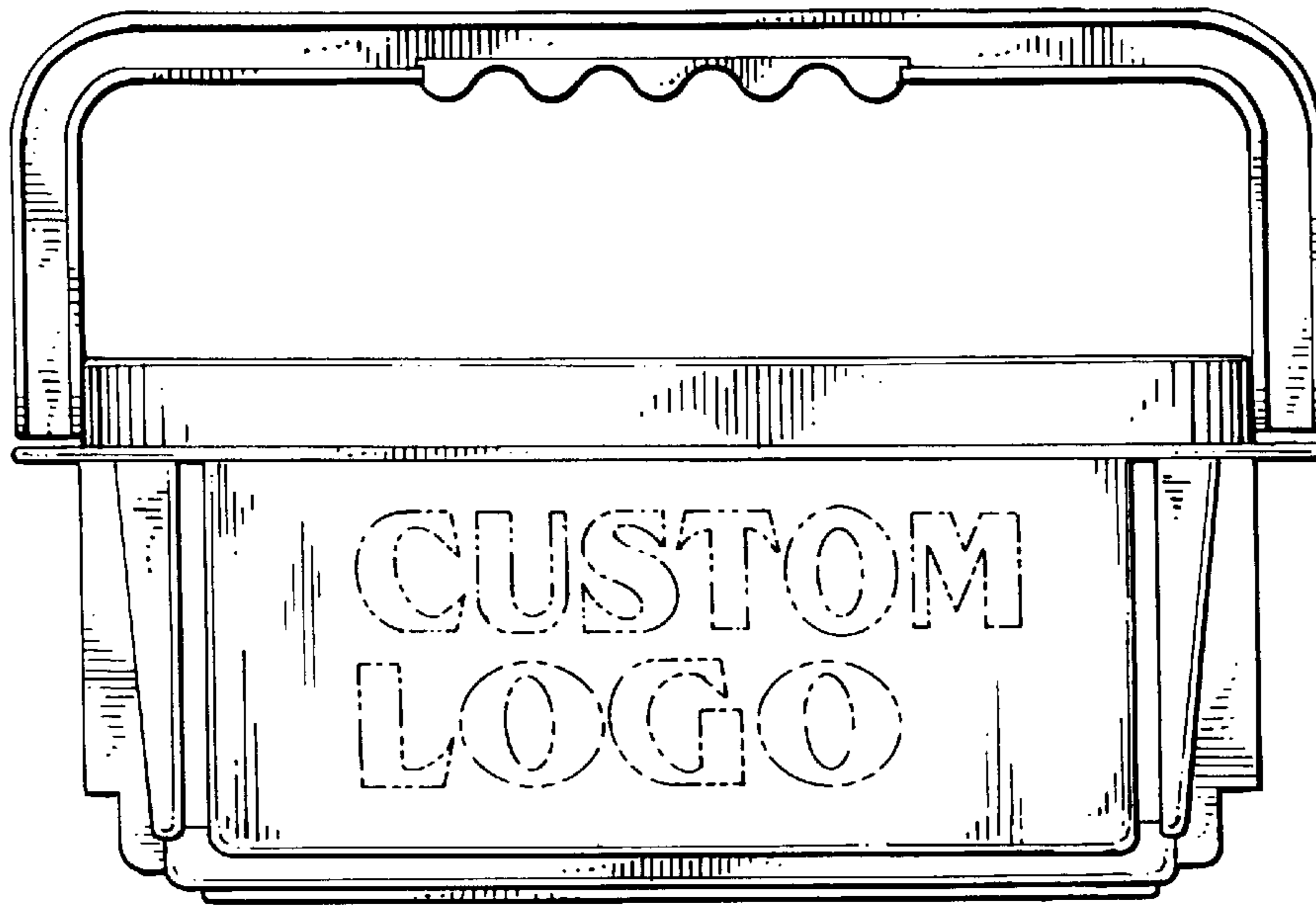
**Fig. 5**

*Fig. 6*

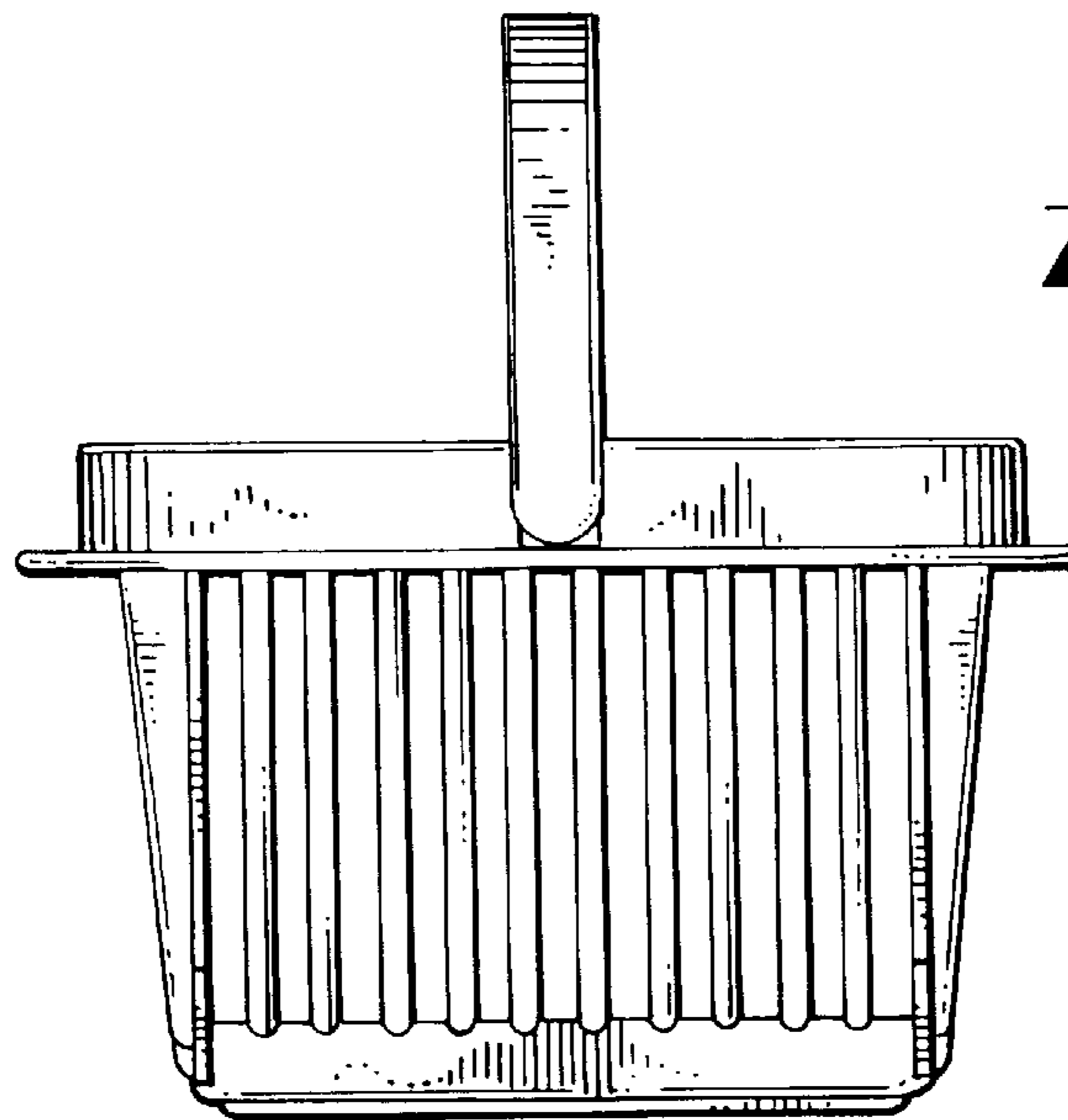


*Fig. 7*

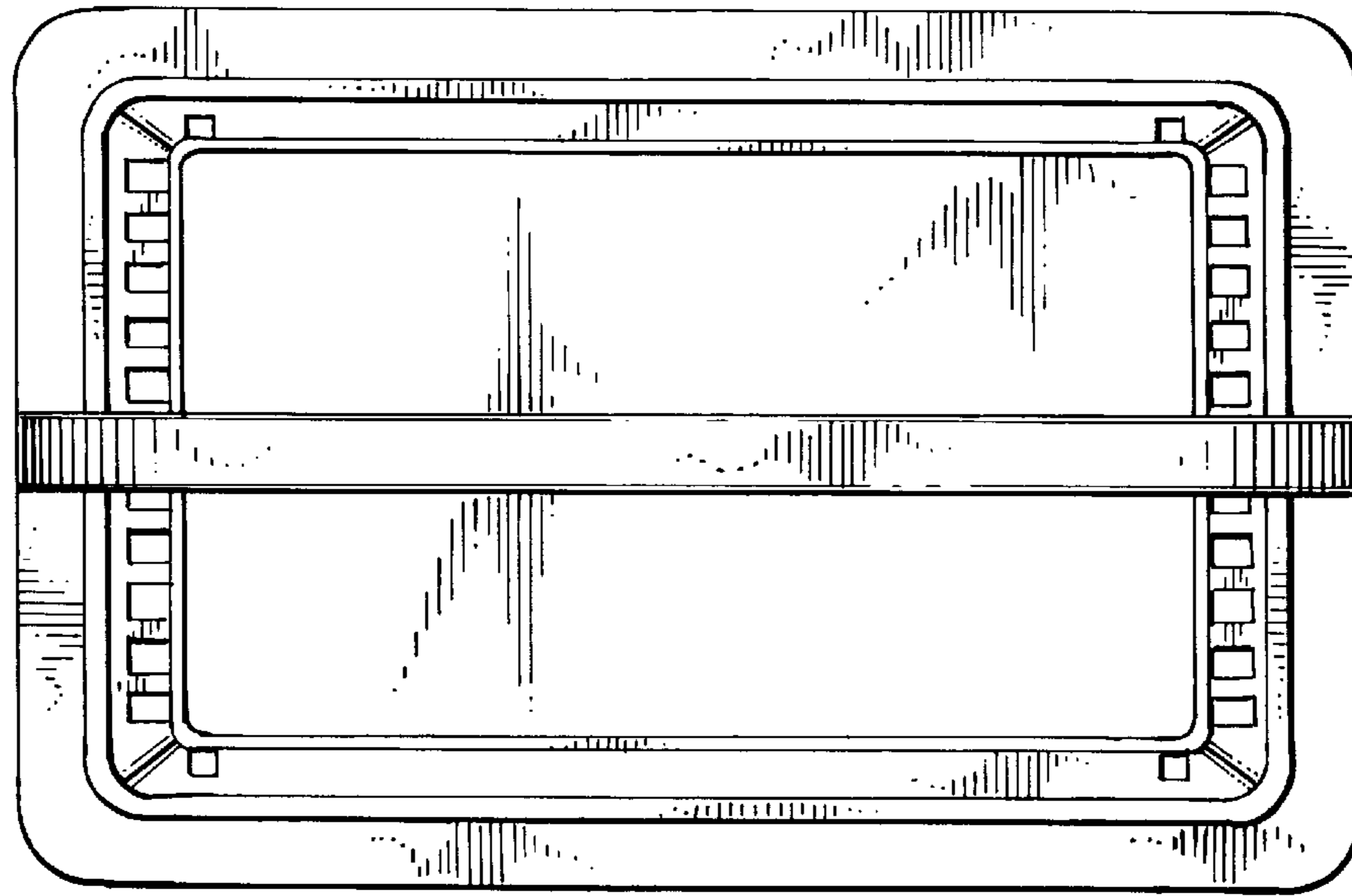




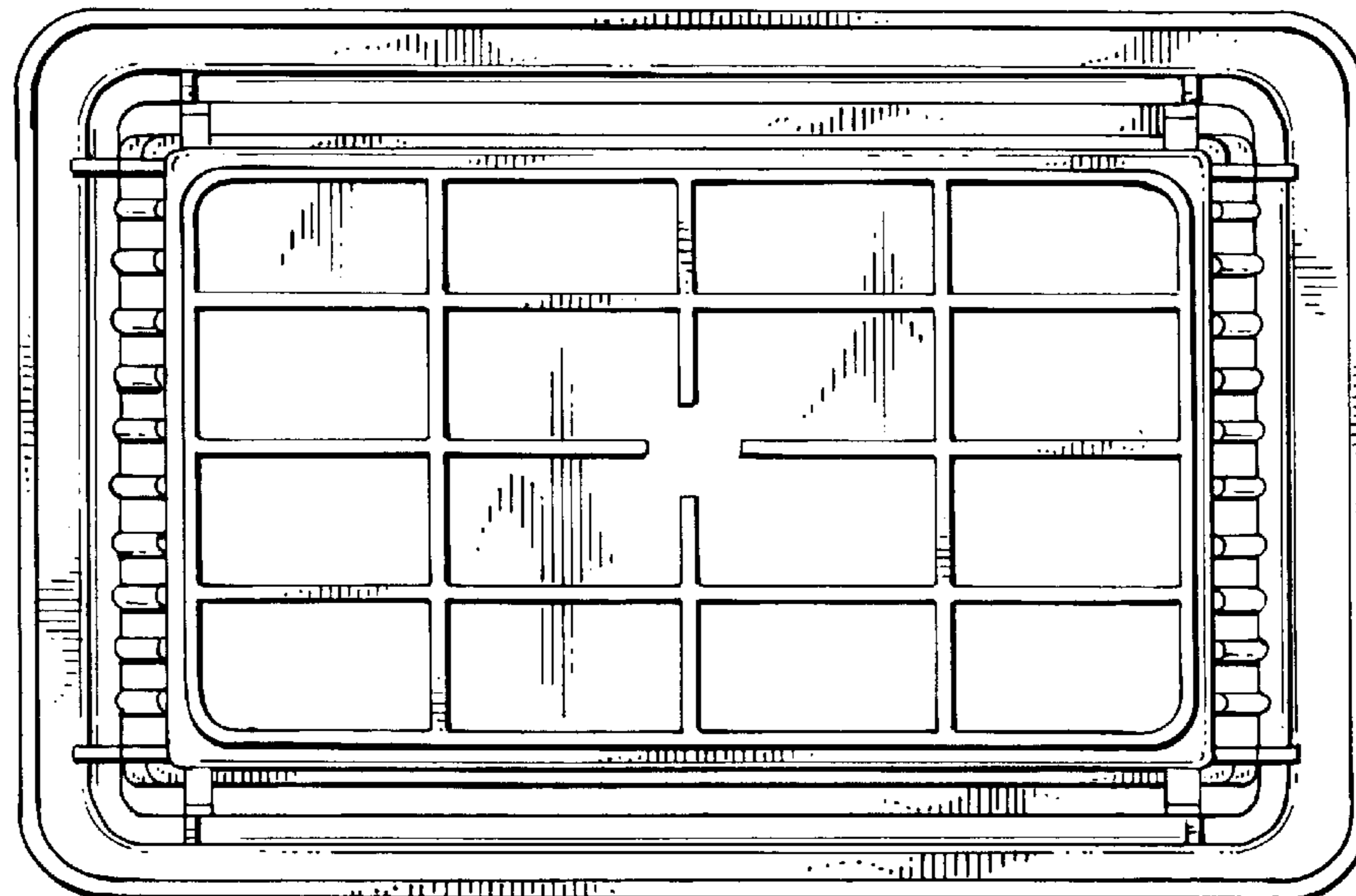
*Fig. 9*



*Fig. 10*



*Fig. 11*



*Fig. 12*