

US00D495528S1

(12) **United States Design Patent**  
**Harwanko**

(10) **Patent No.:** **US D495,528 S**

(45) **Date of Patent:** **\*\* Sep. 7, 2004**

(54) **MAGAZINE RACK**

(75) **Inventor:** **Jeffrey Harwanko**, Wilmington, DE (US)

(73) **Assignee:** **Zenith Products Corp.**, New Castle, DE (US)

(\*\*) **Term:** **14 Years**

(21) **Appl. No.:** **29/198,795**

(22) **Filed:** **Feb. 4, 2004**

(51) **LOC (7) Cl.** ..... **06-04**

(52) **U.S. Cl.** ..... **D6/462; D6/475**

(58) **Field of Search** ..... D6/411, 415, 449, D6/475, 454, 458, 461-469, 524, 546; 211/13.1, 34, 37, 42, 41.2, 41.4, 41.7, 70, 85.31, 133.2, 181.1, 205; 108/59, 103, 105, 107, 139, 181

(56) **References Cited**

**U.S. PATENT DOCUMENTS**

2,615,576 A \* 10/1952 Dahlgren ..... 211/181.1

D180,366 S \* 5/1957 Hitchins ..... D6/475  
D485,704 S \* 1/2004 Goodman et al. .... D6/462  
D485,705 S \* 1/2004 Goodman et al. .... D6/462

\* cited by examiner

*Primary Examiner*—Mimosa De

(74) *Attorney, Agent, or Firm*—Edgar A. Zarins; Lloyd D. Doigan

(57) **CLAIM**

The ornamental design for a magazine rack, as shown and described.

**DESCRIPTION**

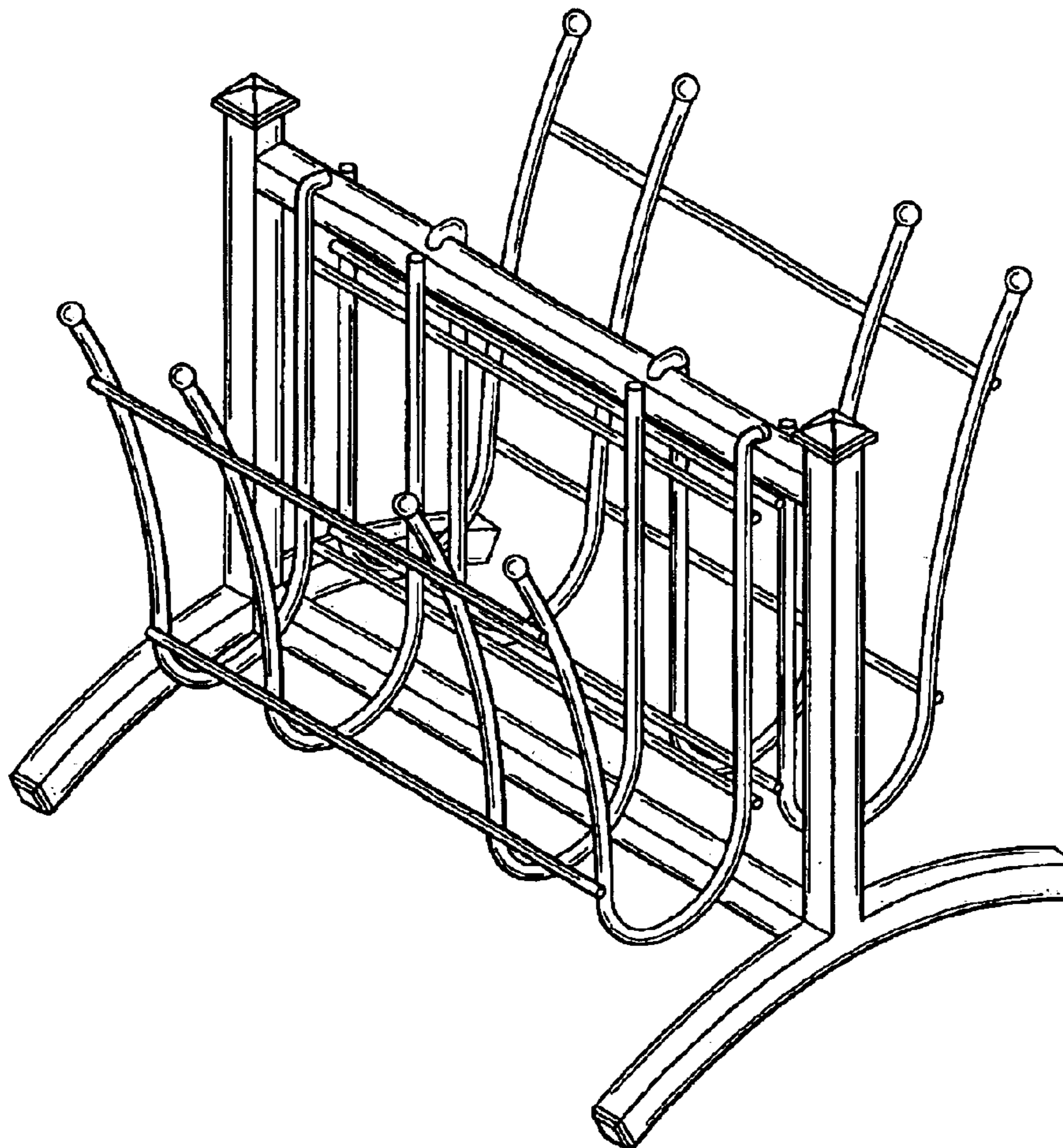
FIG. 1 is a perspective view of a magazine rack showing my new design;

FIG. 2 is a side view thereof, the opposite side being a mirror image of the side shown;

FIG. 3 is an end view thereof, the opposite end being a mirror image of the end shown; and,

FIG. 4 is a top plan view thereof.

**1 Claim, 2 Drawing Sheets**



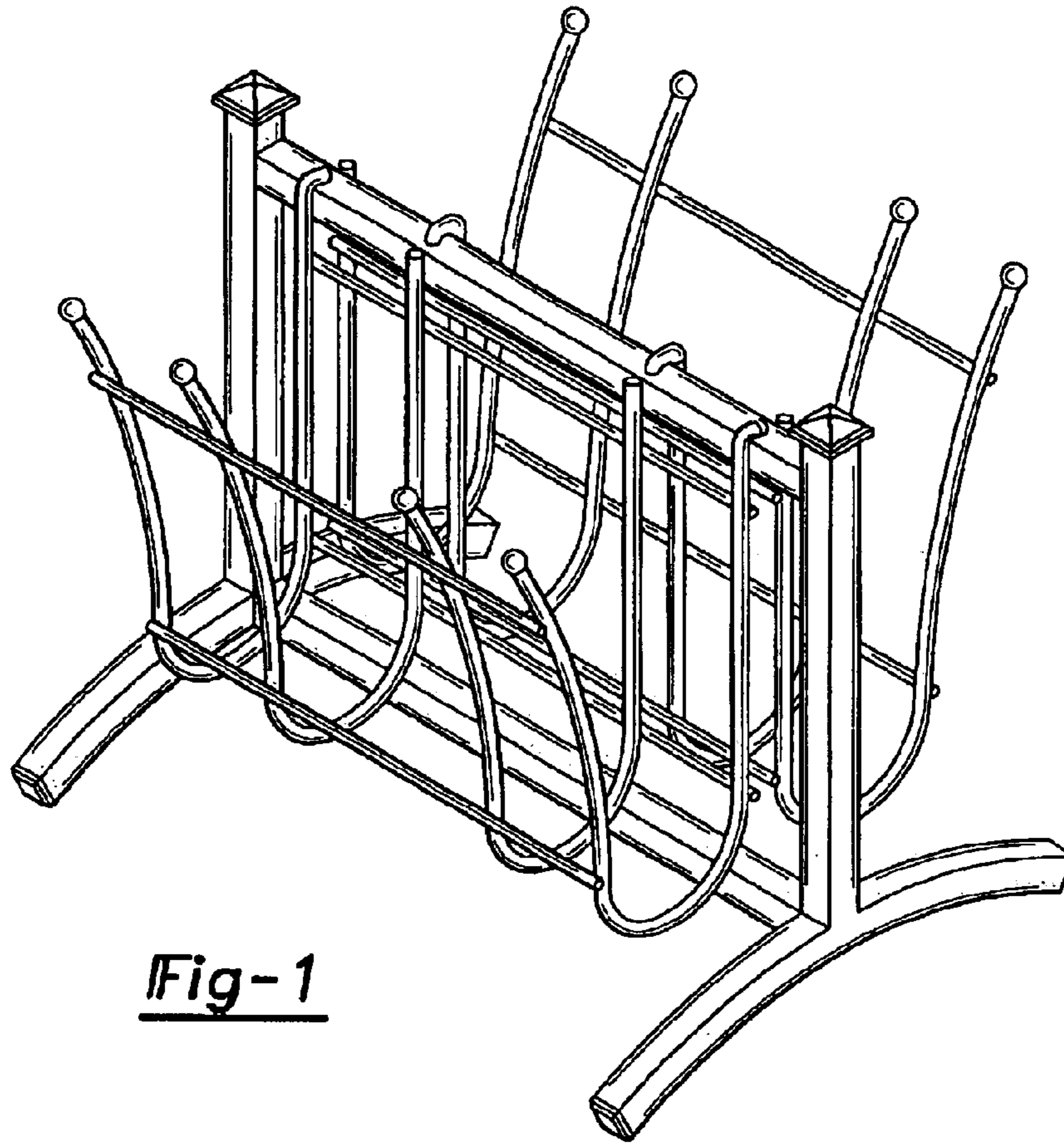


Fig-1

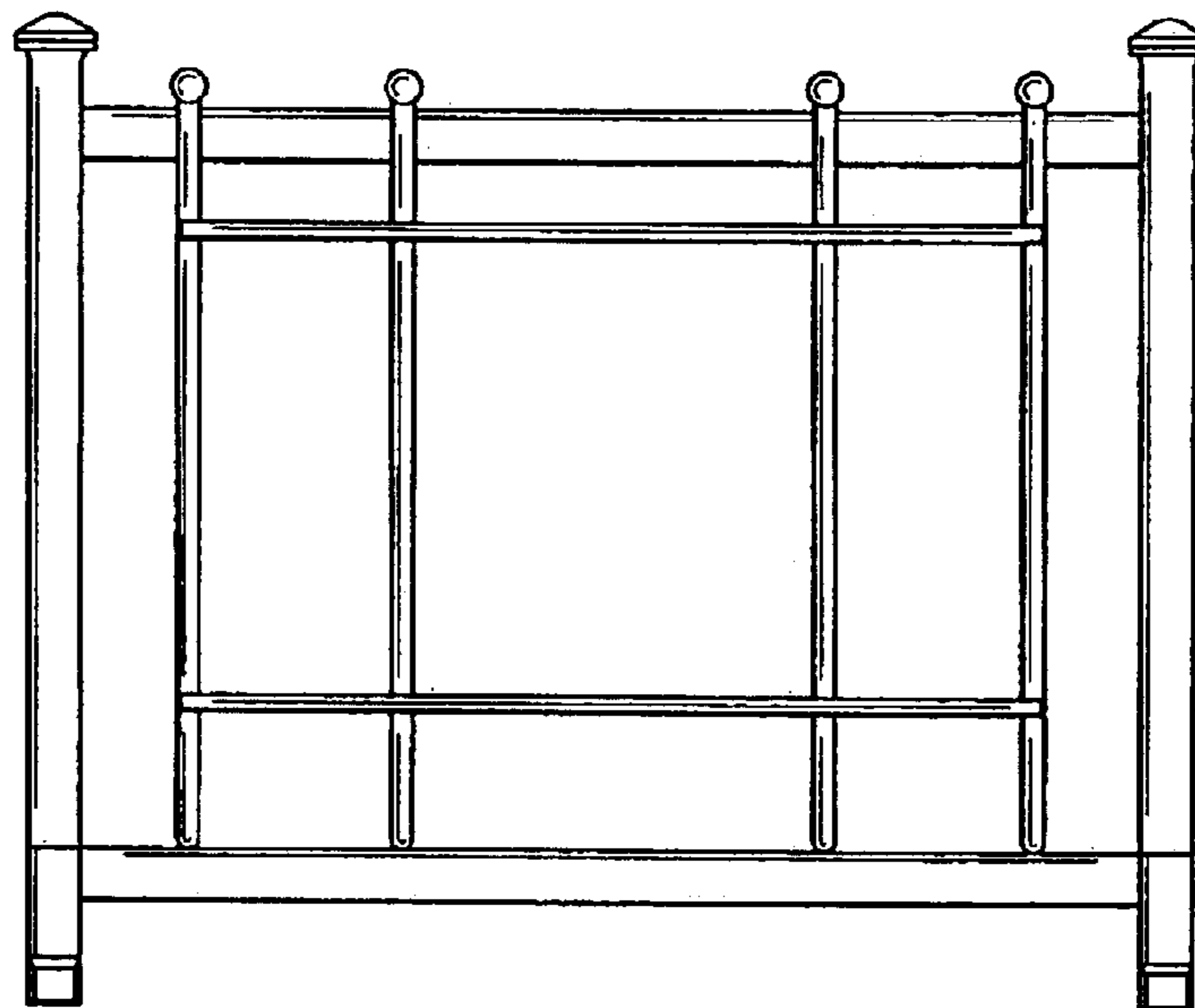


Fig-2

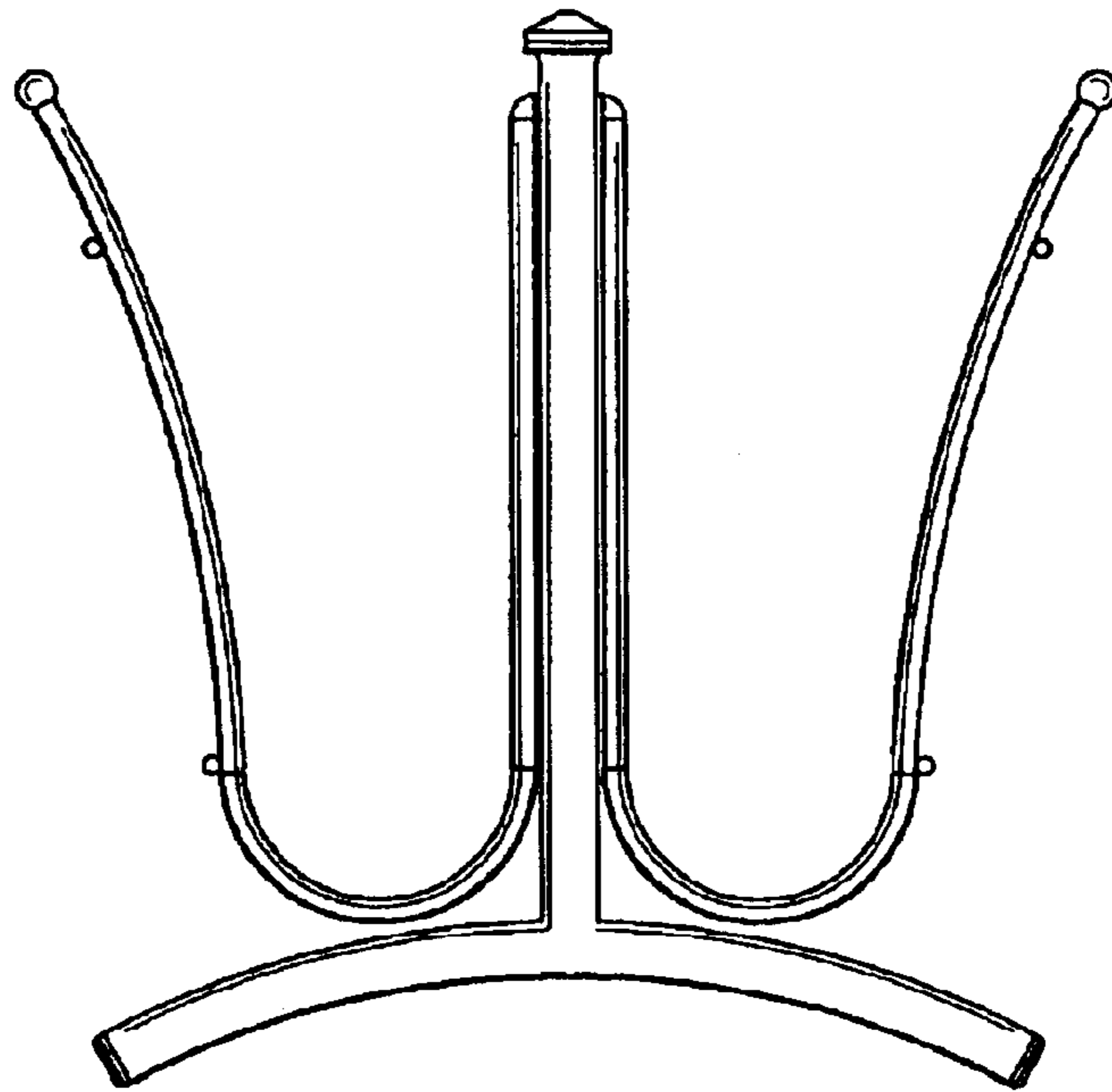


Fig-3

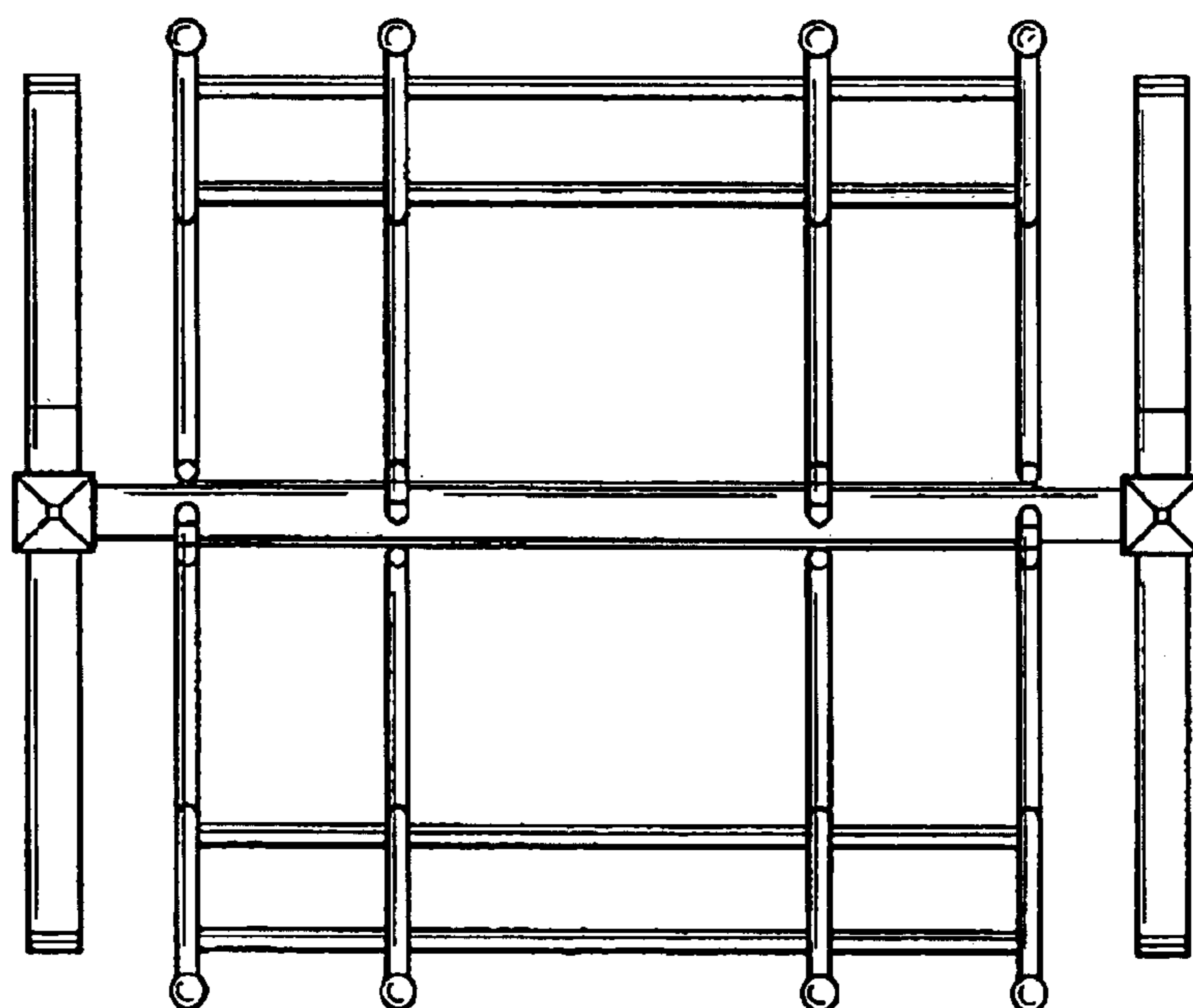


Fig-4