

US00D495525S1

(12) **United States Design Patent**
Chang

(10) **Patent No.:** **US D495,525 S**

(45) **Date of Patent:** **** Sep. 7, 2004**

(54) **COMPUTER TABLE**

(76) Inventor: **Chien-Kuo Chang**, 10F-2, No. 447,
Sec. 3, Wen-Hsin Rd., Taichung City
(TW)

(**) Term: **14 Years**

(21) Appl. No.: **29/191,348**

(22) Filed: **Oct. 6, 2003**

(51) **LOC (7) Cl.** **06-04**

(52) **U.S. Cl.** **D6/422; D6/487; D6/426**

(58) **Field of Search** **D6/422-428, 477,**
D6/484, 480, 487; 108/50.01, 50.02; 312/208.1,
194-196

(56) **References Cited**

U.S. PATENT DOCUMENTS

D215,009 S * 8/1969 Barnes D6/426
D294,666 S * 3/1988 Favaretto et al. D6/487
D303,882 S * 10/1989 Sottsas et al. D6/422

D321,102 S * 10/1991 Newhouse D6/484
D473,728 S * 4/2003 Chang D6/422
2002/0104464 A1 * 8/2002 Isensee et al. 108/50.02

* cited by examiner

Primary Examiner—Janice E. Seeger

(74) *Attorney, Agent, or Firm*—Charles E. Baxley

(57) **CLAIM**

The ornamental design for computer table, as shown and described.

DESCRIPTION

FIG. 1 is a perspective view of a computer table showing our new design thereof;

FIG. 2 is a front elevational view thereof;

FIG. 3 is a rear elevational view thereof;

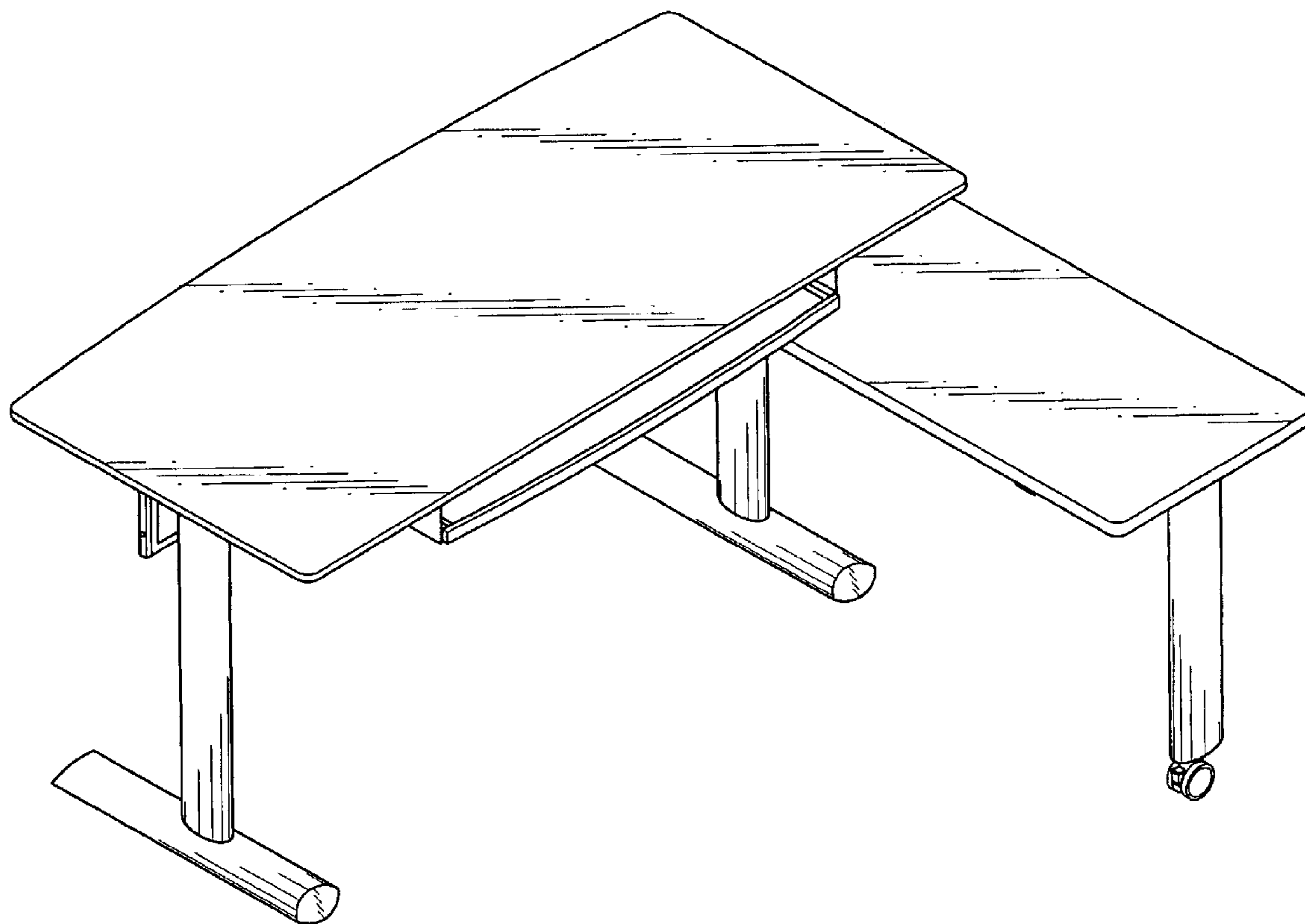
FIG. 4 is a left side elevational view thereof;

FIG. 5 is a right side elevational view thereof;

FIG. 6 is a top plan view thereof; and,

FIG. 7 is a bottom plan view thereof.

1 Claim, 7 Drawing Sheets



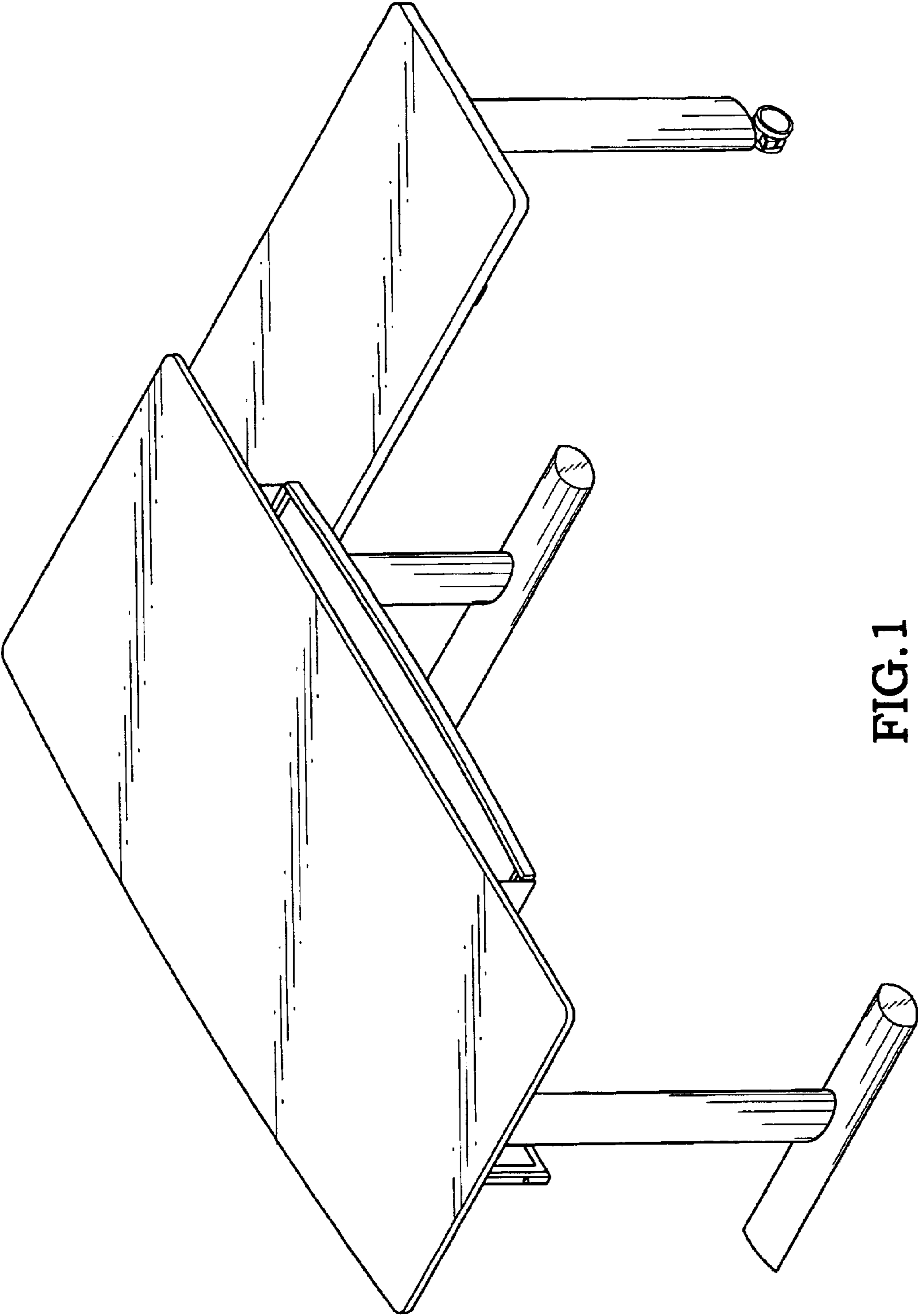


FIG. 1

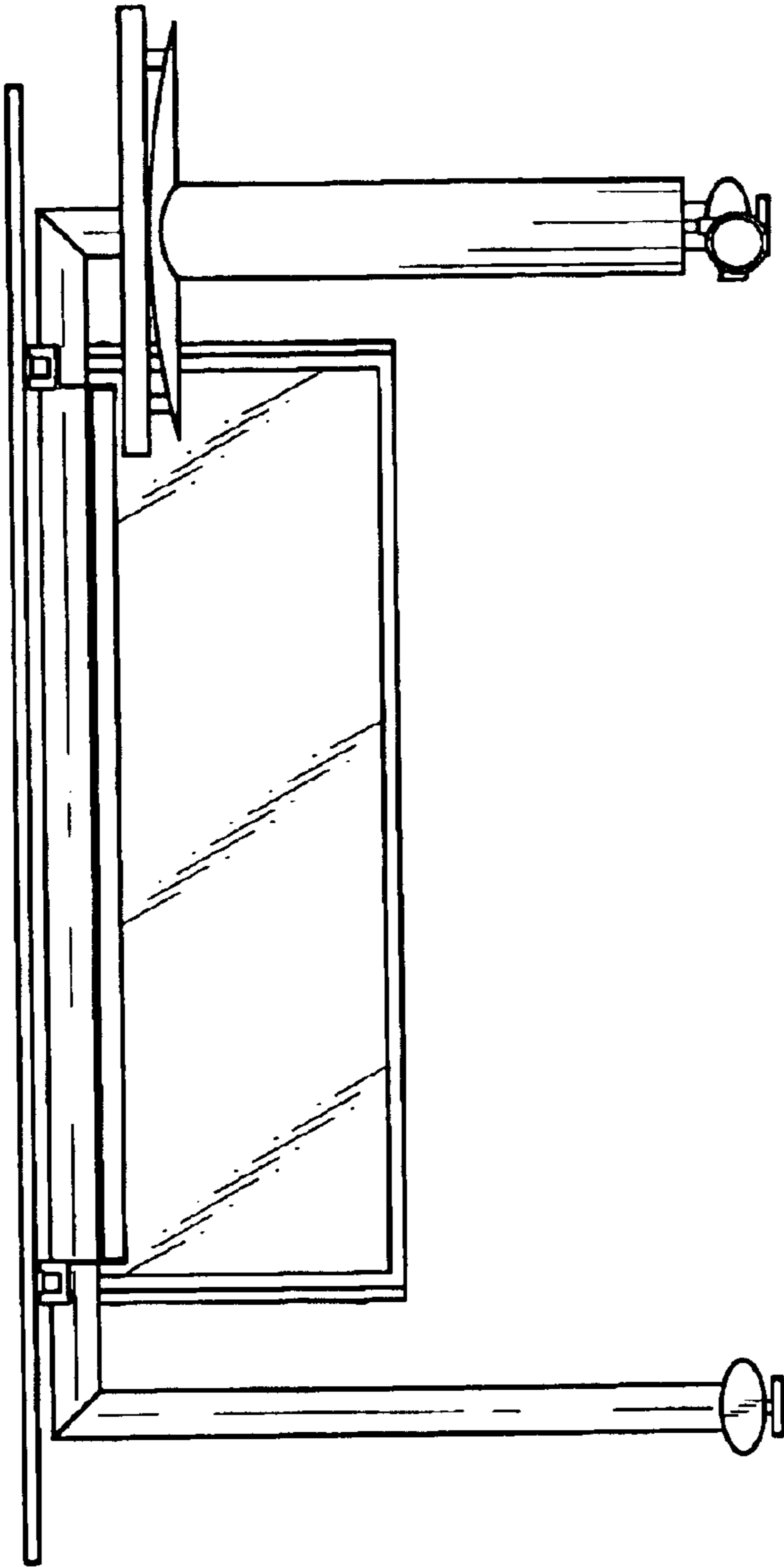


FIG. 2

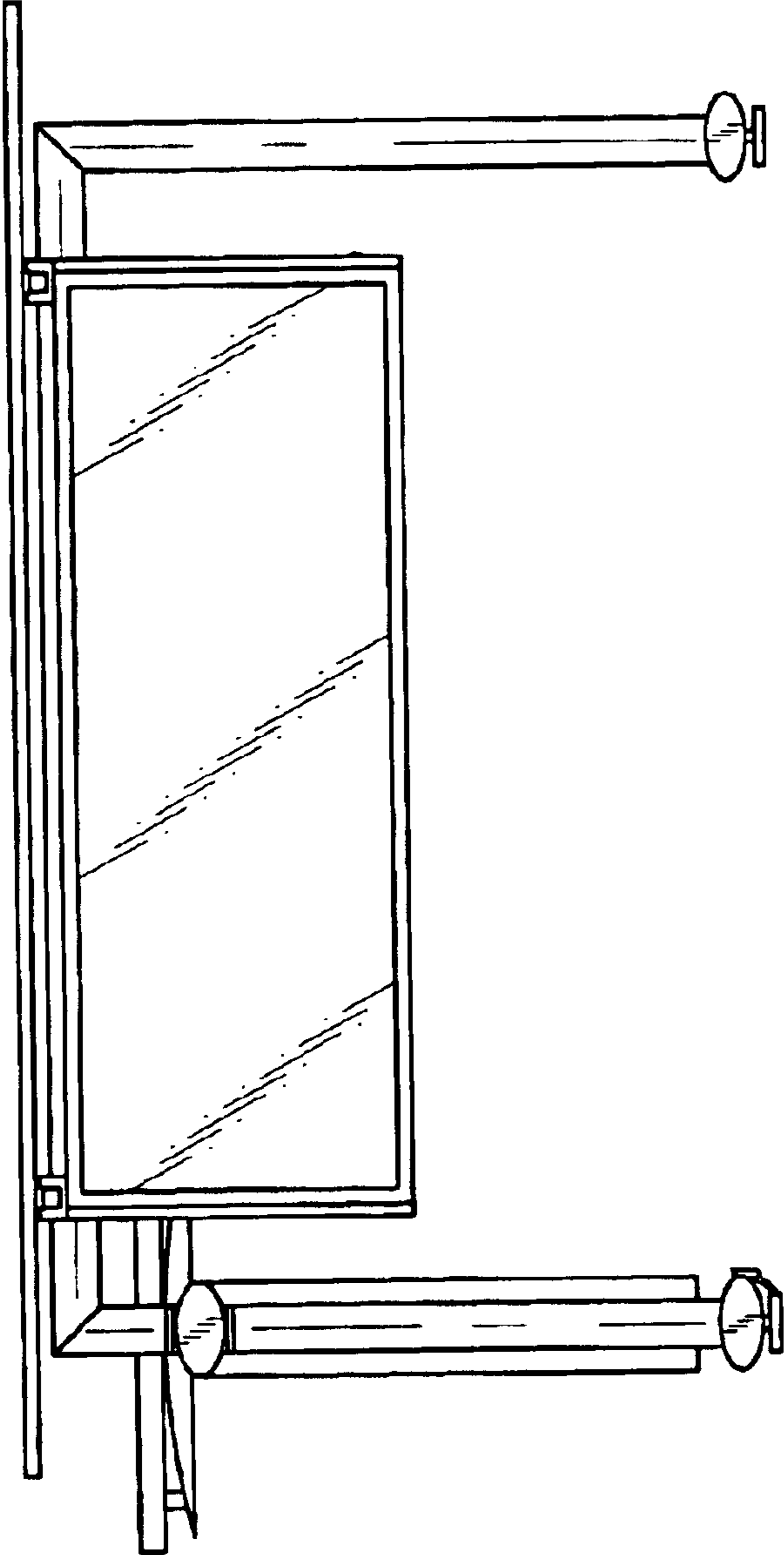


FIG.3

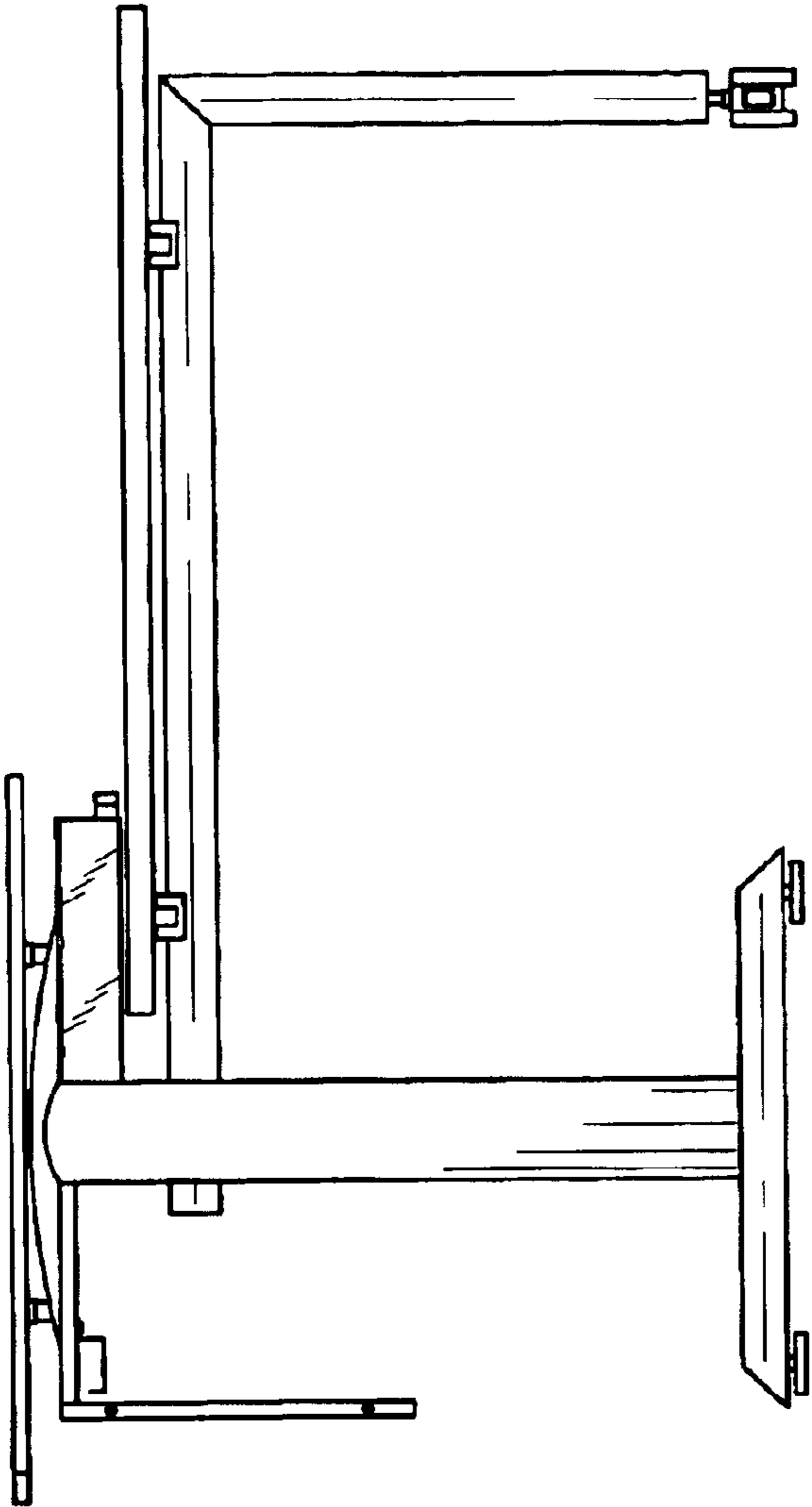


FIG.4

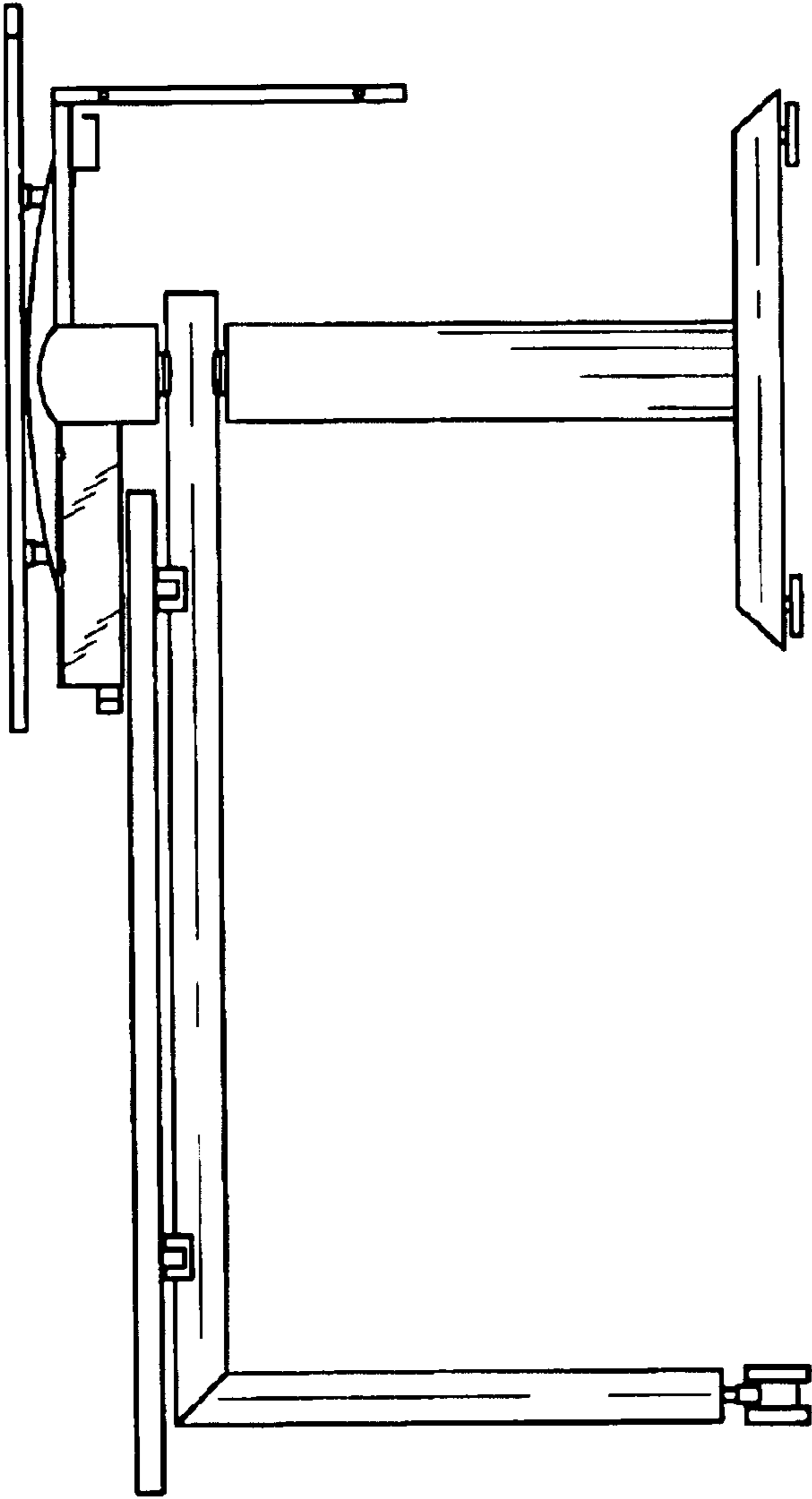


FIG. 5

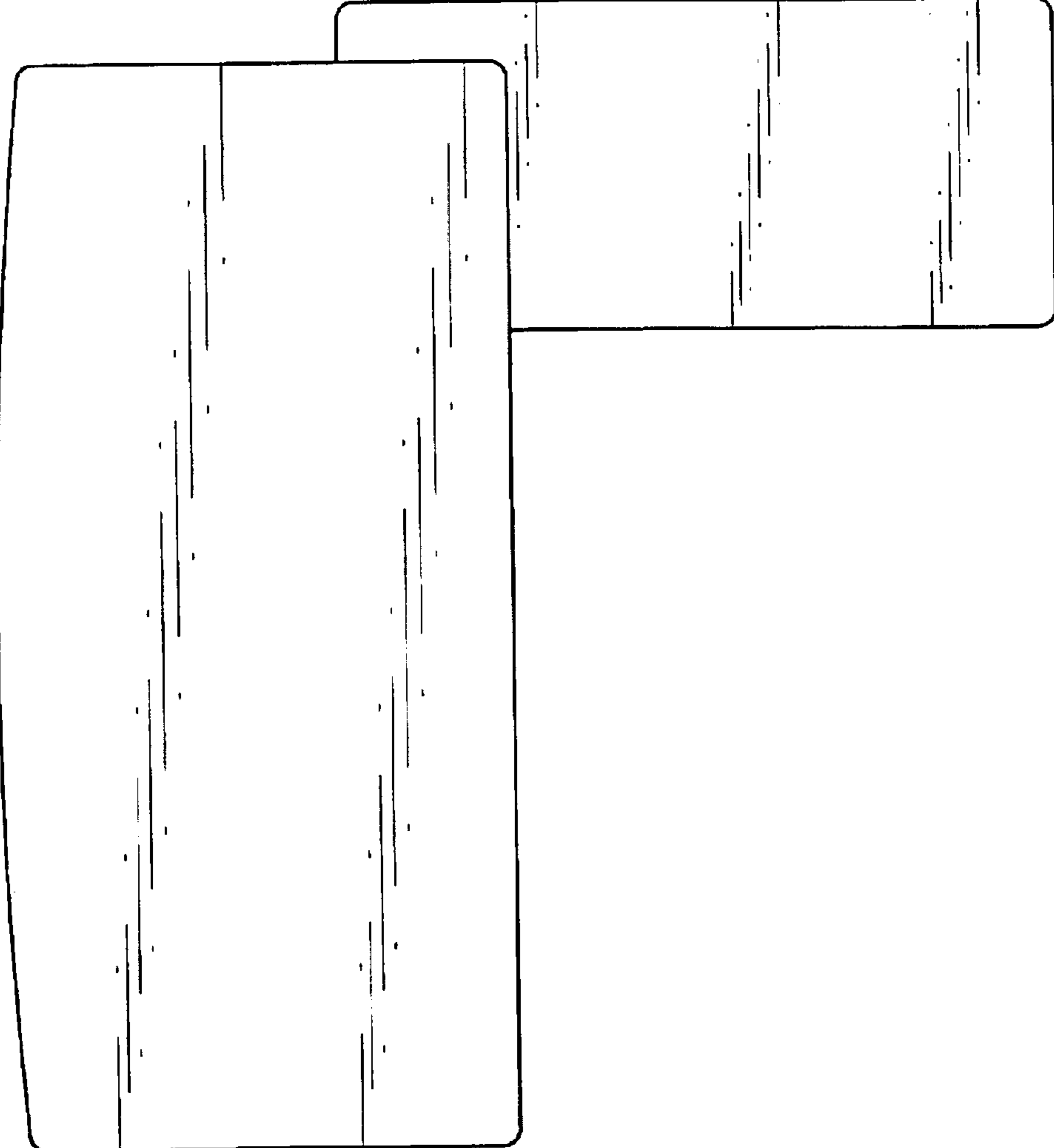


FIG. 6

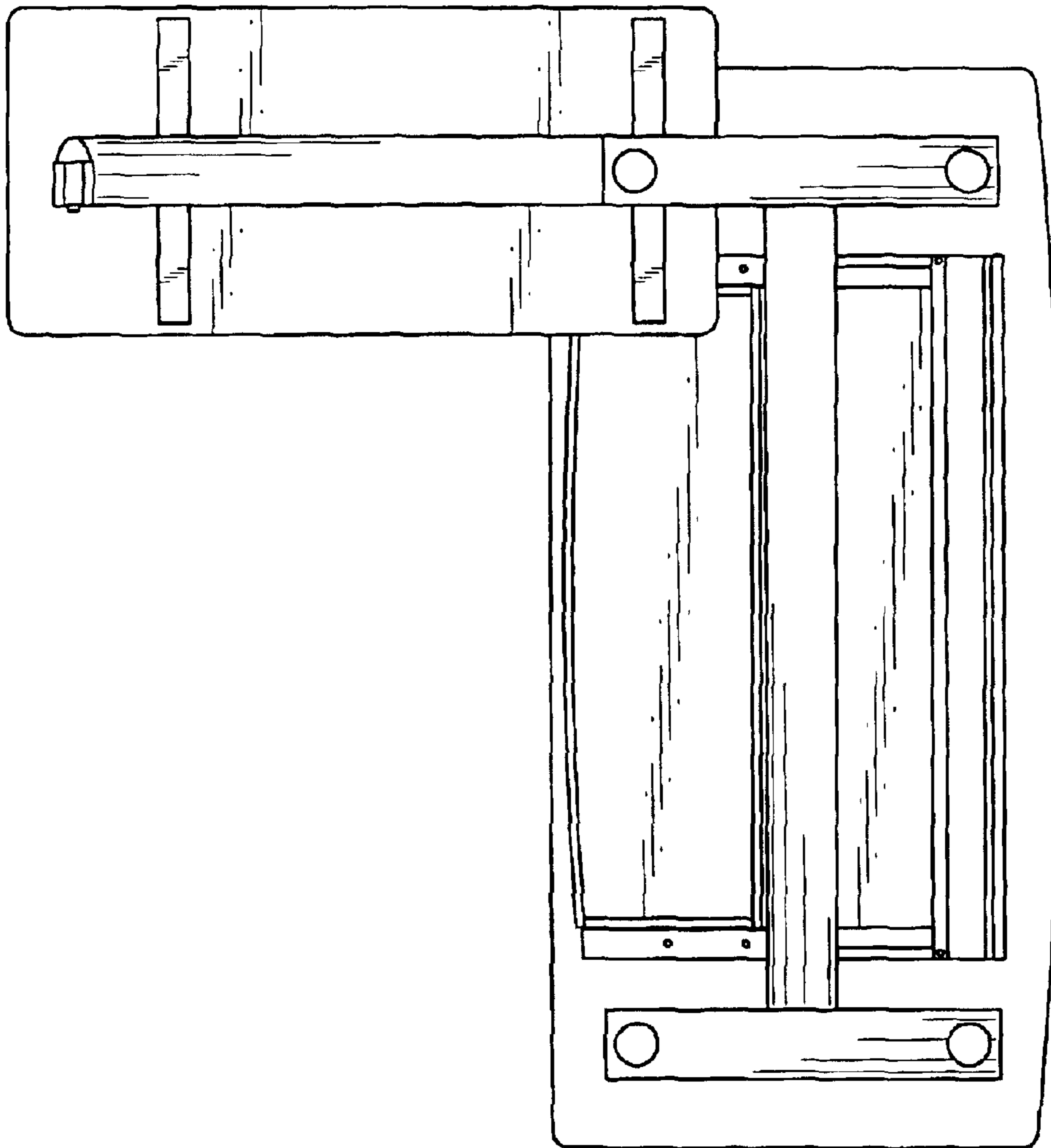


FIG. 7