

US00D495524S1

(12) **United States Design Patent**
Harwanko

(10) **Patent No.:** **US D495,524 S**

(45) **Date of Patent:** **** Sep. 7, 2004**

(54) **TOWEL STAND**

(75) **Inventor:** **Jeffrey Harwanko**, Wilmington, DE (US)

(73) **Assignee:** **Zenith Products Corp.**, New Castle, DE (US)

(**) **Term:** **14 Years**

(21) **Appl. No.:** **29/198,793**

(22) **Filed:** **Feb. 4, 2004**

(51) **LOC (7) Cl.** **06-04**

(52) **U.S. Cl.** **D6/410; D6/462; D6/468**

(58) **Field of Search** D6/343, 397, 409-415, D6/455, 456, 462-468, 477, 479, 546, 549, 566, 567, 569, 570; 108/28, 29, 59, 91, 92, 107, 181, 182; 211/13.1, 37, 133.2, 181.1, 182, 187, 189, 205; 248/127, 163.1, 175, 448, 465.1; D34/21

(56) **References Cited**

U.S. PATENT DOCUMENTS

562,007 A * 6/1896 Martin 211/182
D76,906 S * 11/1928 Victor D6/410

1,790,798 A * 2/1931 Davis 211/182
3,960,275 A * 6/1976 Haughton et al. 211/182
4,871,076 A * 10/1989 Schramm 211/189
D308,451 S * 6/1990 Hughes et al. D6/465
D346,081 S * 4/1994 Turner D6/465
D353,926 S * 12/1994 Aguilar et al. D34/21
5,660,637 A * 8/1997 Dodge 211/182
D456,167 S * 4/2002 Harwanko D6/410

* cited by examiner

Primary Examiner—Mimosa De

(74) *Attorney, Agent, or Firm*—Edgar A. Zarins; Lloyd D. Doigan

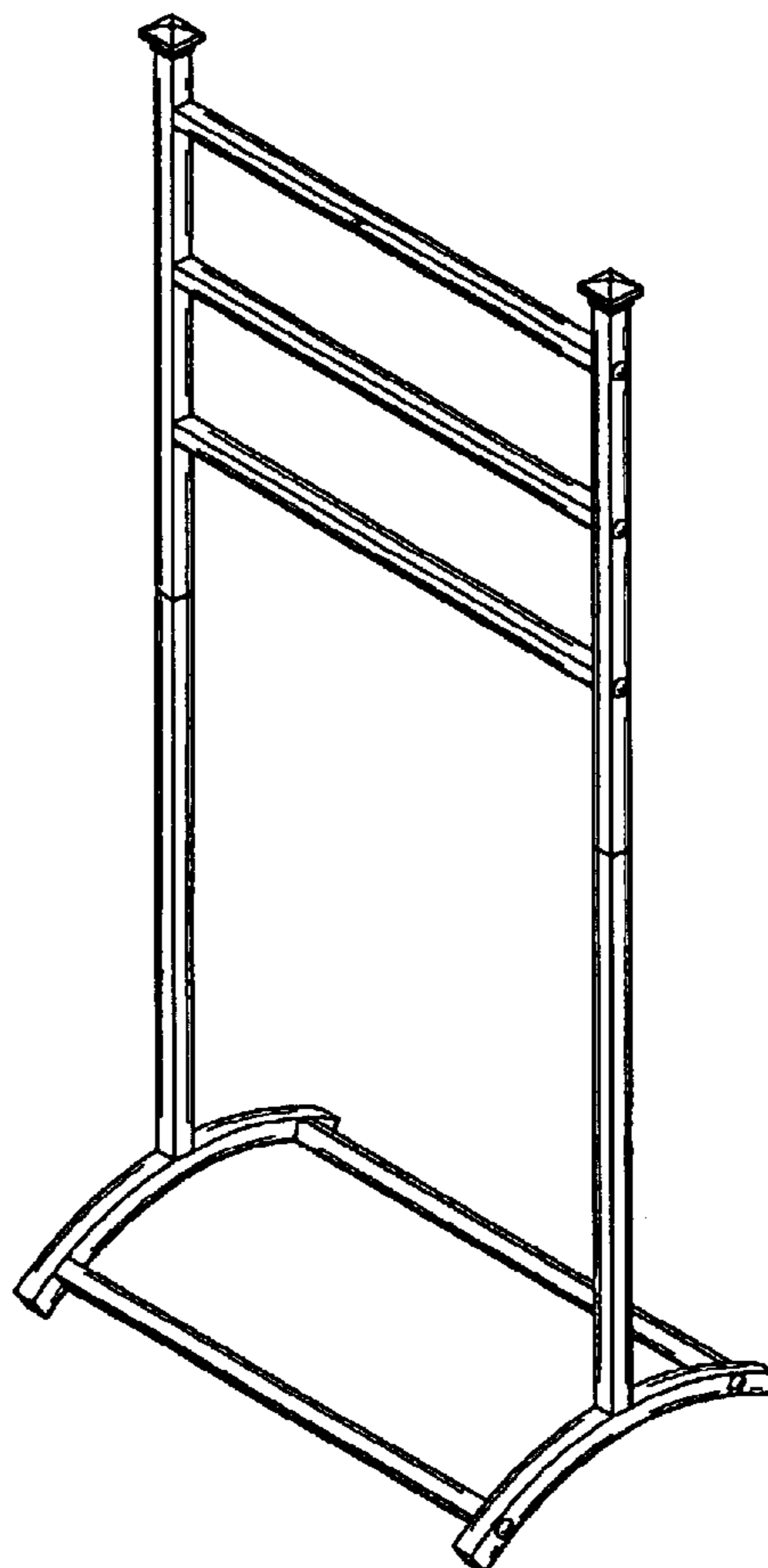
(57) **CLAIM**

The ornamental design for a towel stand, as shown and described.

DESCRIPTION

FIG. 1 is a perspective view of a towel stand showing my new design;
FIG. 2 is a front elevational view thereof;
FIG. 3 is an end view thereof; and,
FIG. 4 is a top plan view thereof.

1 Claim, 2 Drawing Sheets



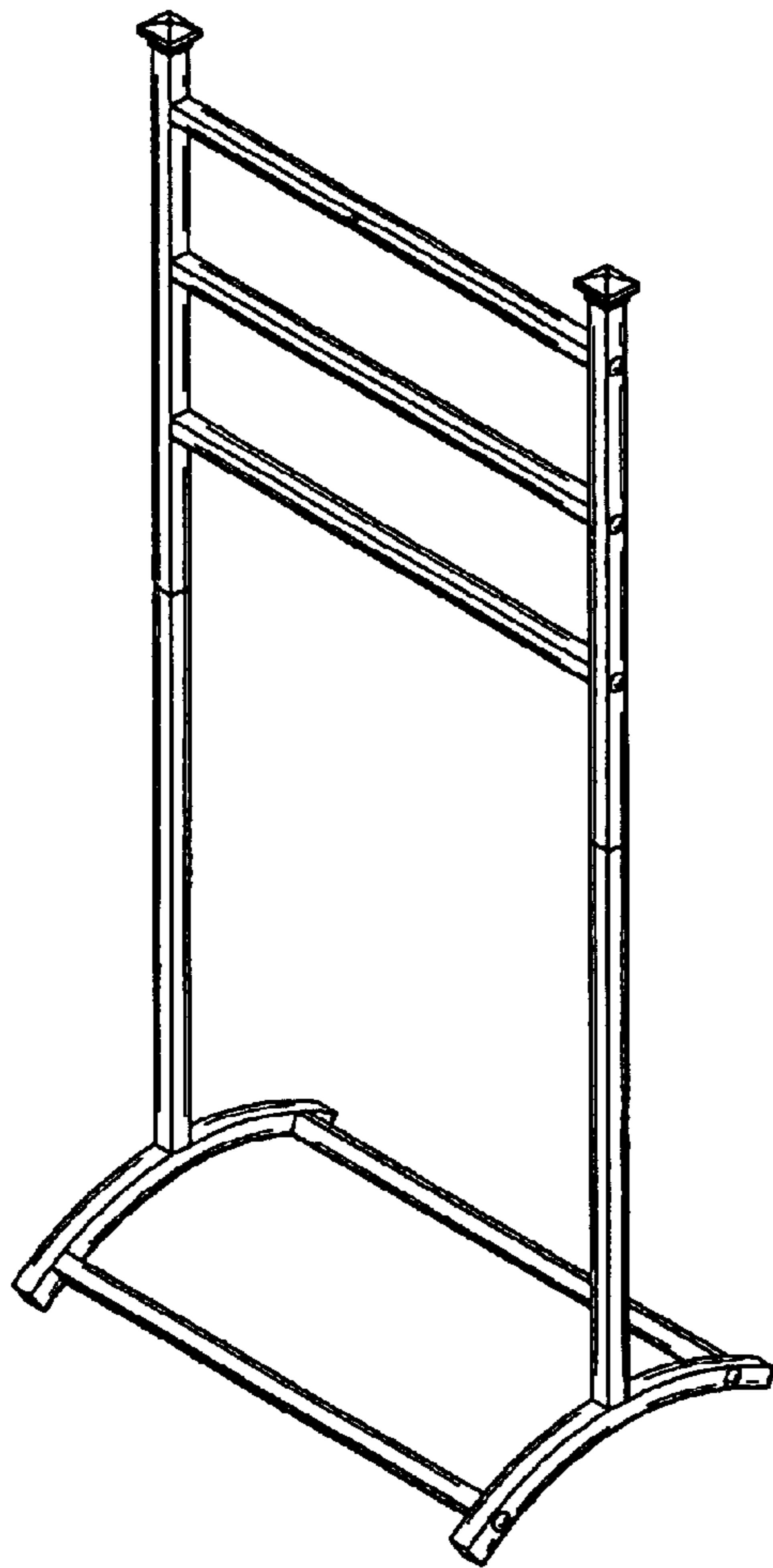


Fig-1

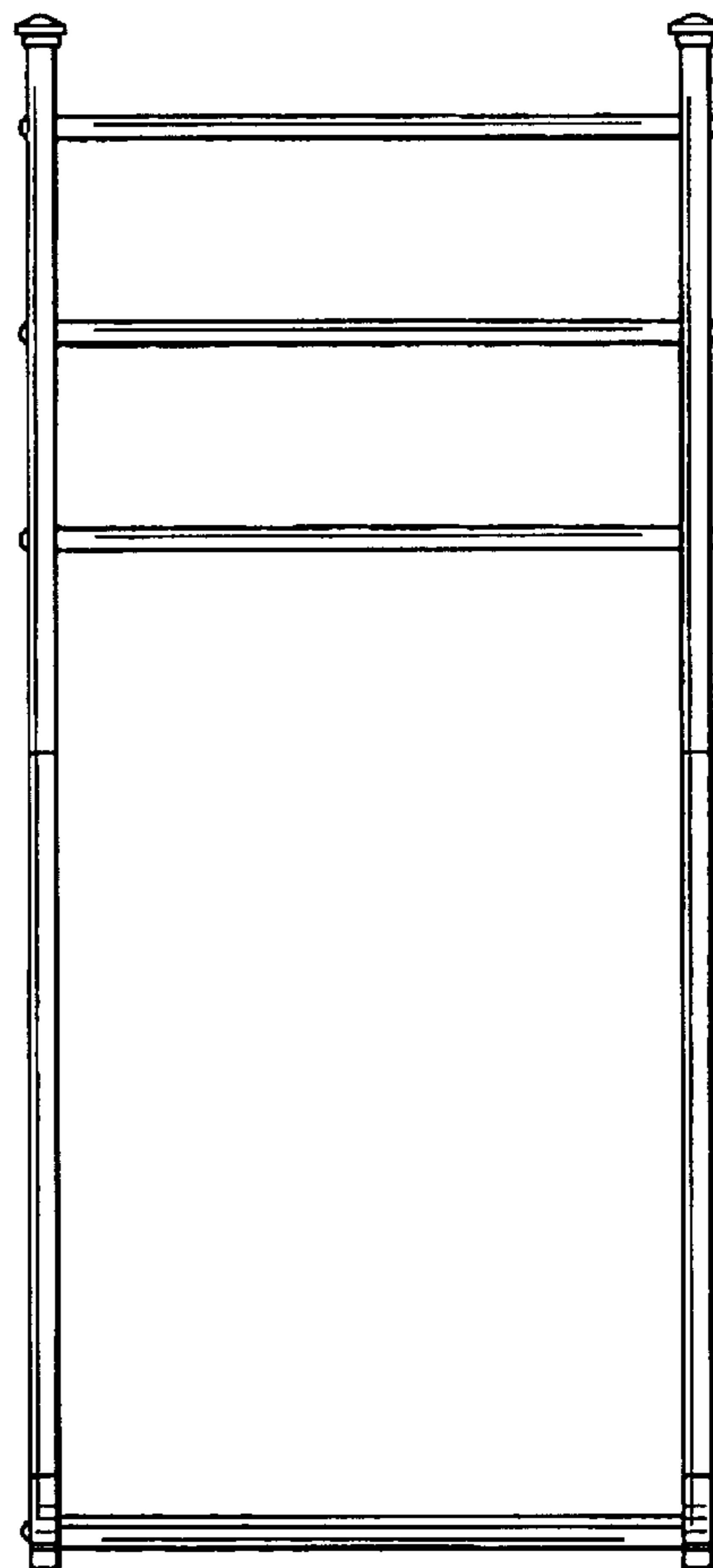


Fig-2

Fig-3

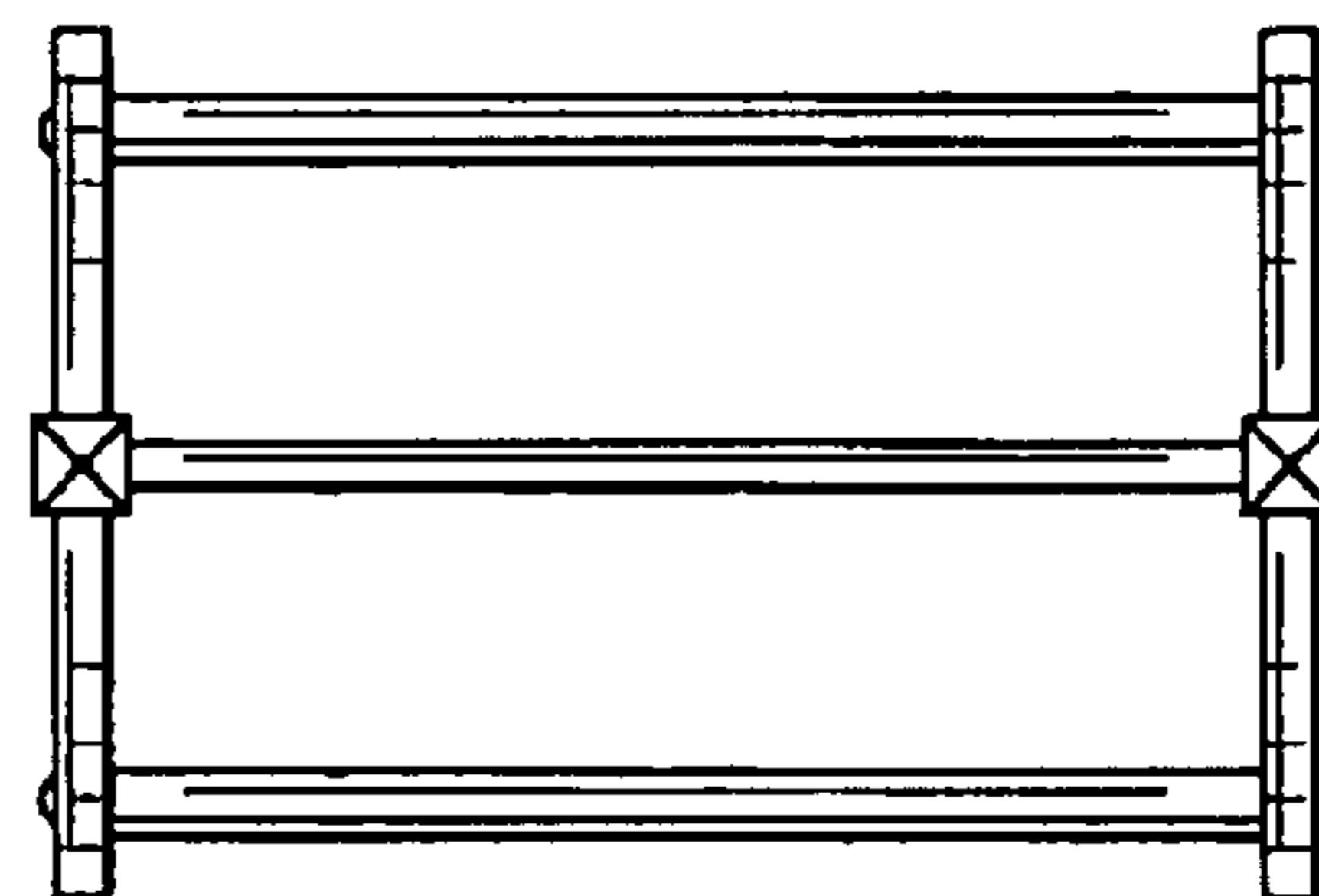
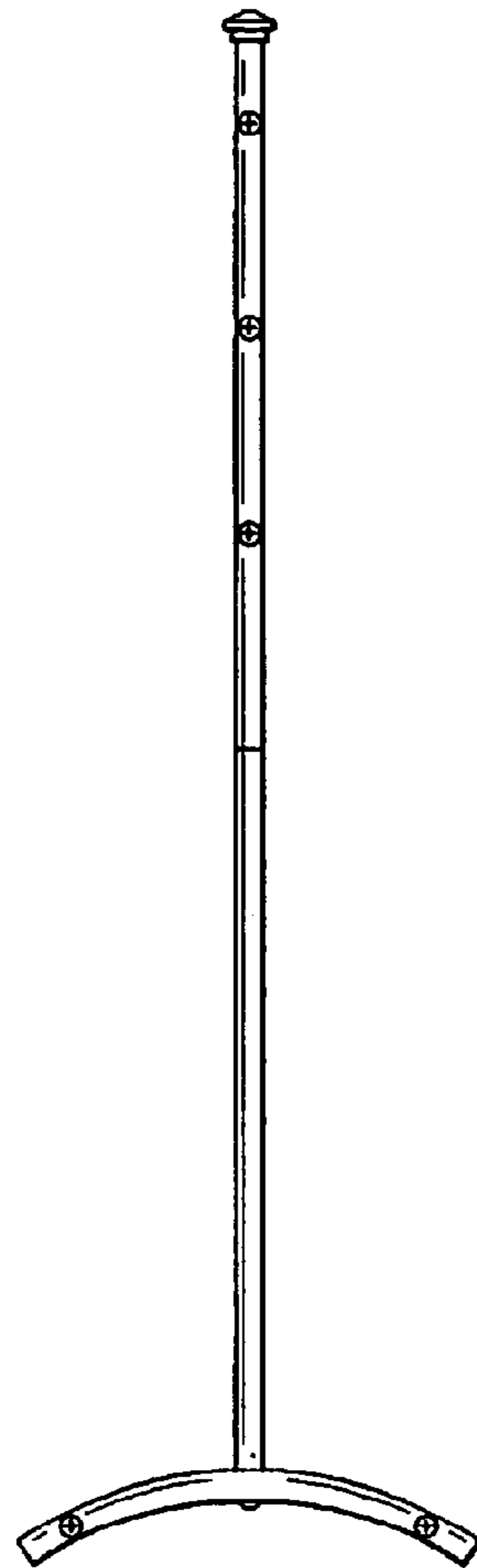


Fig-4