

US00D495523S1

(12) **United States Design Patent**  
**Harwanko**

(10) **Patent No.: US D495,523 S**

(45) **Date of Patent: \*\* Sep. 7, 2004**

(54) **TOWEL RACK**

(75) **Inventor: Jeffrey Harwanko, Wilmington, DE (US)**

(73) **Assignee: Zenith Products Corp., New Castle, DE (US)**

(\*\*) **Term: 14 Years**

(21) **Appl. No.: 29/189,049**

(22) **Filed: Aug. 28, 2003**

(51) **LOC (7) Cl. .... 06-04**

(52) **U.S. Cl. .... D6/410; D6/411; D6/462; D6/465**

(58) **Field of Search** ..... D6/343, 397, 409-415, D6/455, 456, 462-468, 477, 479, 546, 548, 566, 567, 569, 570; 108/28, 29, 59, 91, 92, 107, 181; 211/13.1, 37, 133.2, 181.1, 182, 187, 189, 205; 248/127, 163.1, 175, 448, 465.1

(56) **References Cited**

**U.S. PATENT DOCUMENTS**

D133,220 S \* 7/1942 Reiss ..... D6/465

2,896,789 A \* 7/1959 Salvatore et al. .... 108/28  
D212,482 S \* 10/1968 Lum et al. .... D6/465  
D316,342 S \* 4/1991 Kee ..... D6/410  
D450,948 S \* 11/2001 Stafford et al. .... D6/411  
D456,167 S \* 4/2002 Harwanko ..... D6/410  
D470,332 S \* 2/2003 Clucas et al. .... D6/410

\* cited by examiner

*Primary Examiner*—Mimosa De

(74) *Attorney, Agent, or Firm*—Edgar A. Zarins; Lloyd D. Doigan

(57) **CLAIM**

The ornamental design for a towel rack, as shown and described.

**DESCRIPTION**

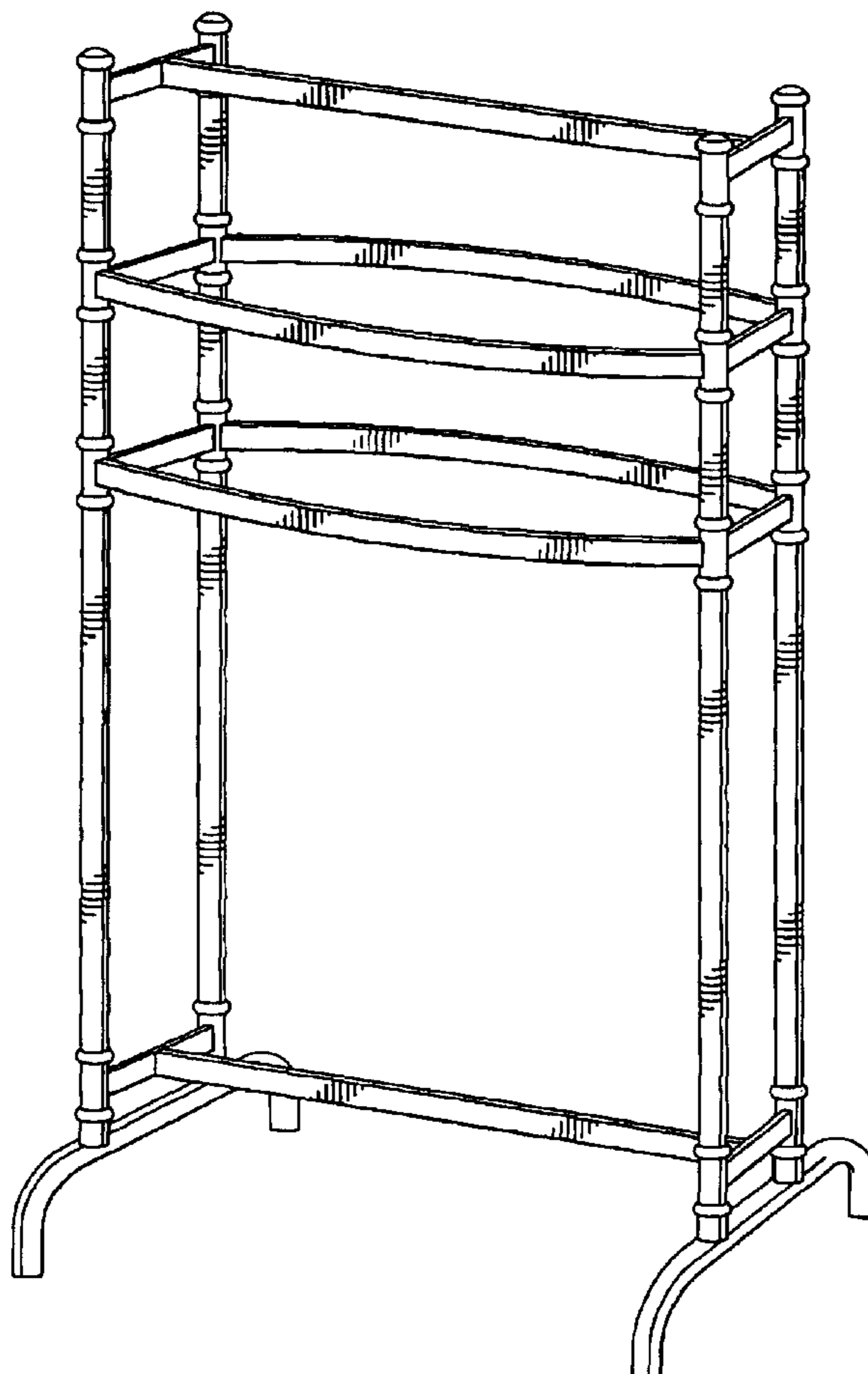
FIG. 1 is a perspective view of a towel rack showing my new design;

FIG. 2 is a front elevational view thereof, the opposite side being a mirror image of the side shown;

FIG. 3 is an end view thereof, the opposite end being a mirror image of the side shown; and,

FIG. 4 is a top plan view thereof.

**1 Claim, 3 Drawing Sheets**



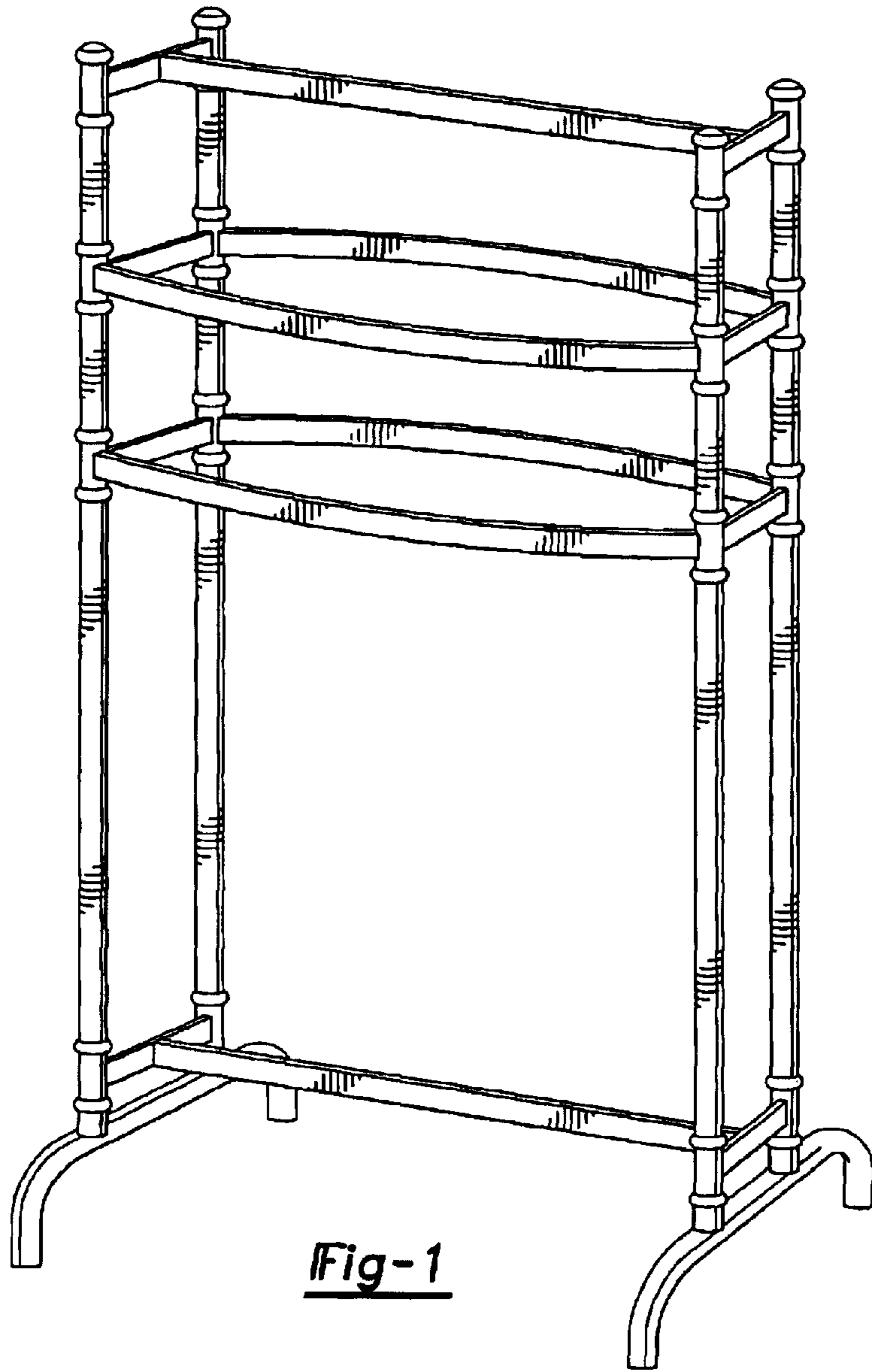


Fig-1

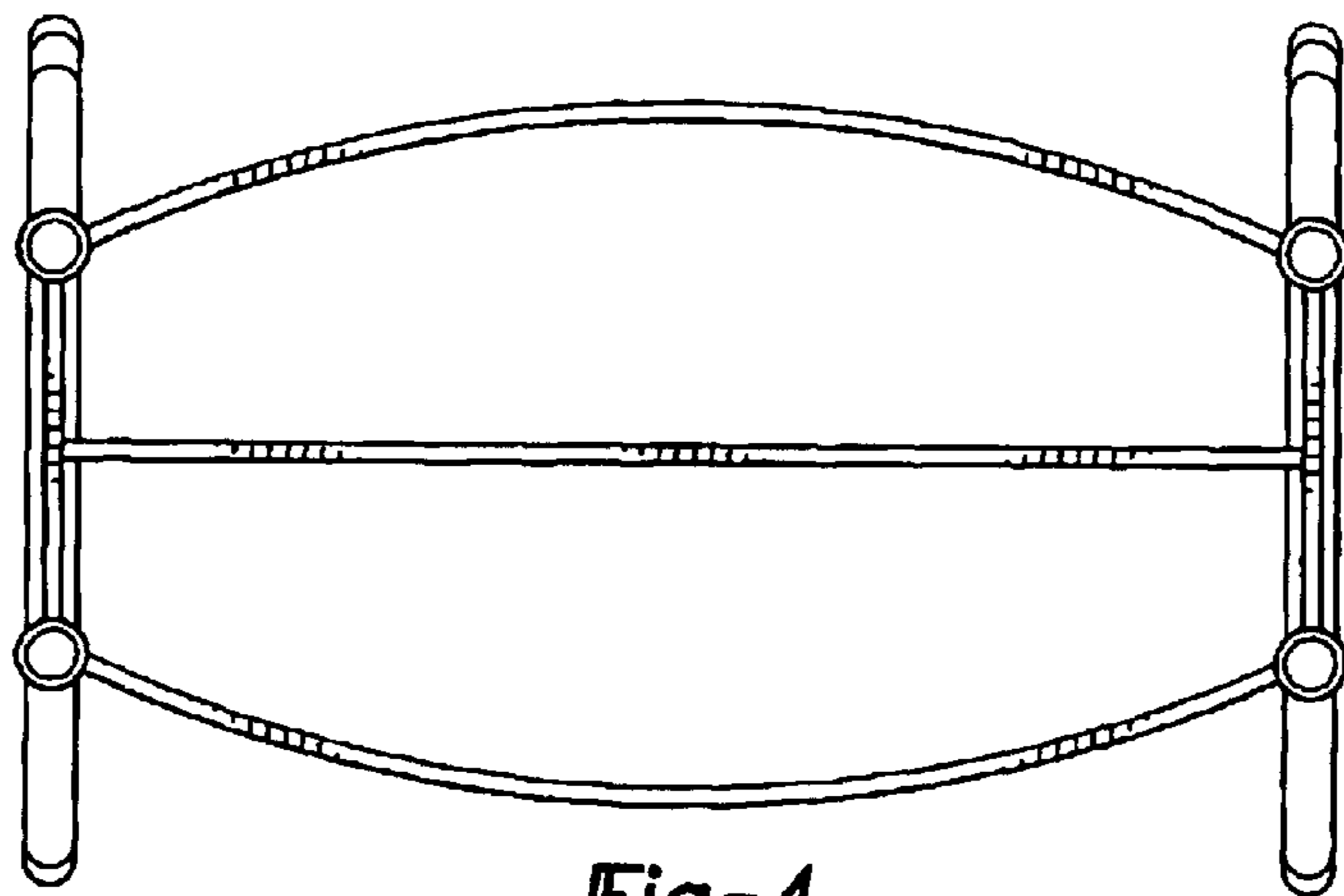


Fig-4

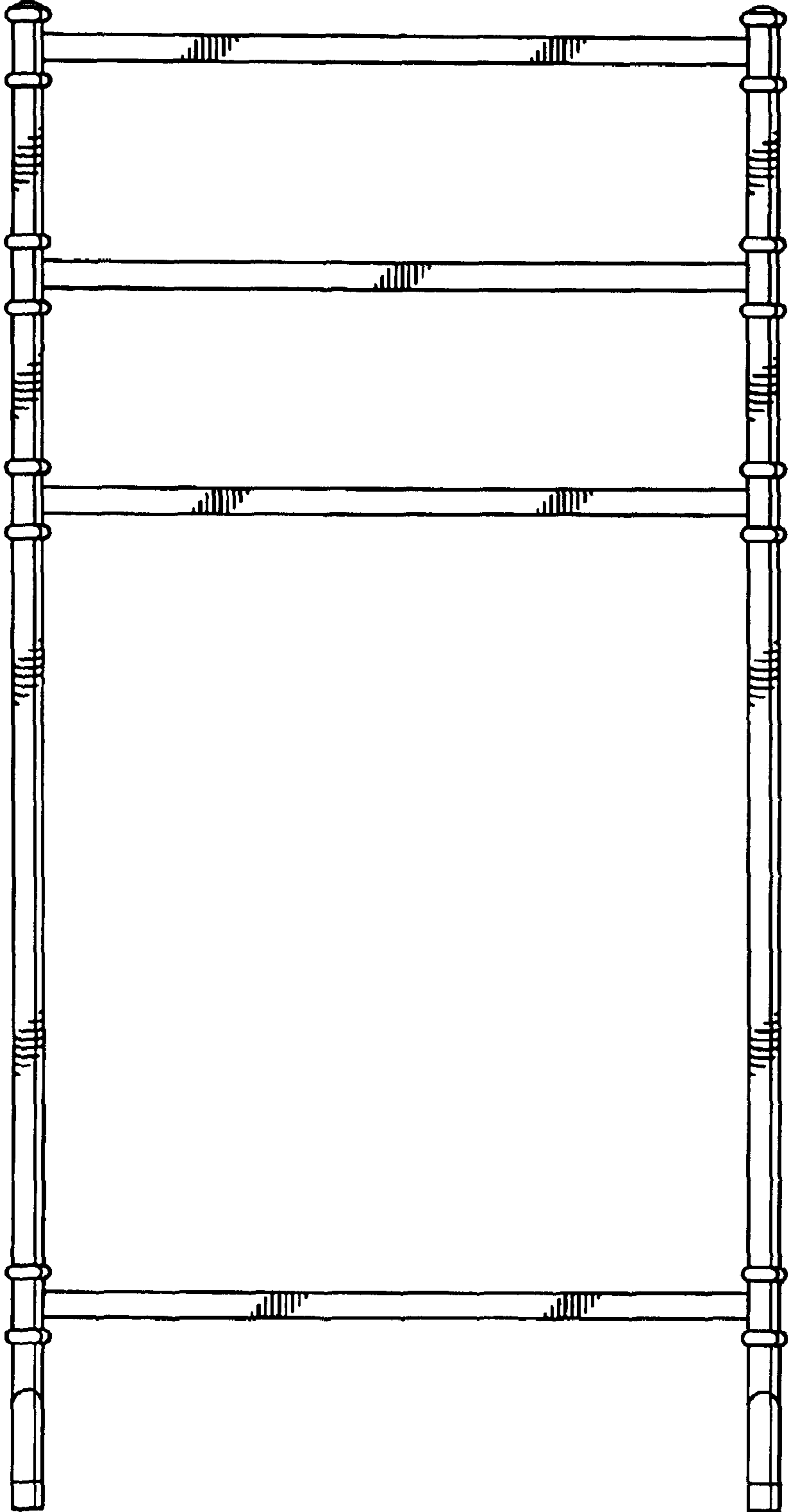


Fig-2

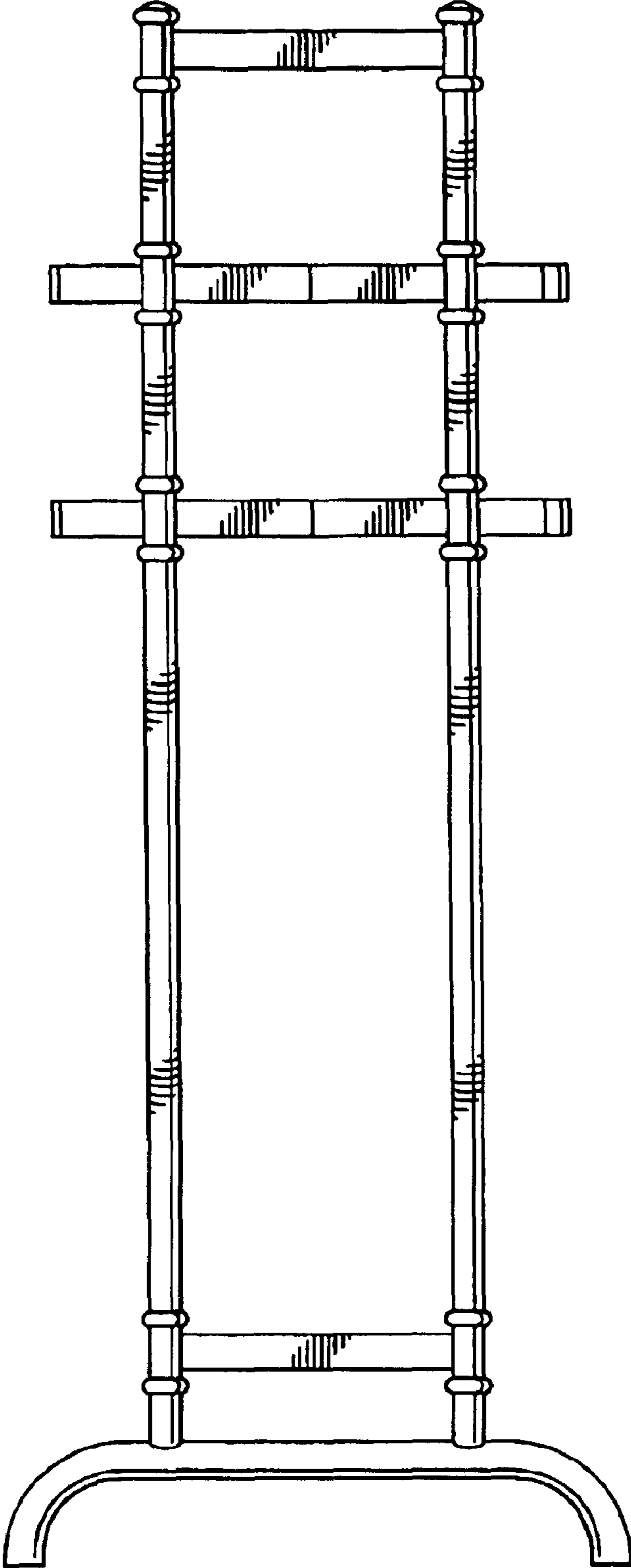


Fig-3