

US00D495518S1

(12) **United States Design Patent** (10) **Patent No.:** **US D495,518 S**  
**Ricci** (45) **Date of Patent:** **\*\* Sep. 7, 2004**

- (54) **SEAT**
- (75) **Inventor:** **Luca Ricci, Forli (IT)**
- (73) **Assignee:** **De Coro Ltd., Fanling (HK)**
- (\*\*) **Term:** **14 Years**
- (21) **Appl. No.:** **29/196,900**
- (22) **Filed:** **Jan. 7, 2004**
- (51) **LOC (7) Cl.** ..... **06-01**
- (52) **U.S. Cl.** ..... **D6/381; D6/334**
- (58) **Field of Search** ..... **D6/334, 335, 336,**  
**D6/364, 371, 381, 500, 501, 502; 5/12.1;**  
**297/232**

De Coro Ltd. Sofa Model No. 2068, Apr. 2000, at the International Home Furnishing Market in High Point, N.C.  
 De Coro Ltd. Sofa Model No. 154, Apr. 1998, at the International Home Furnishing Market in High Point, N.C.  
 De Coro Ltd. Sofa Model No. 133, Apr. 1998, at the International Home Furnishing Market in High Point, N.C.  
 De Coro Ltd. Sofa Model No. 132, Apr. 1998, at the International Home Furnishing Market in High Point, N.C.  
 De Coro Ltd. Sofa Model No. 106, Apr. 1998, at the International Home Furnishing Market in High Point, N.C.

(List continued on next page.)

*Primary Examiner*—Gary D. Watson  
 (74) *Attorney, Agent, or Firm*—Luce, Forward, Hamilton & Scripps, LLP

(56) **References Cited**

**U.S. PATENT DOCUMENTS**

D179,682 S	2/1957	Glass	
D255,624 S	7/1980	Mosca	
D361,212 S	8/1995	Gibson	
D362,353 S	9/1995	Natuzzi et al.	
D365,457 S	* 12/1995	Natuzzi et al.	D6/381
D369,480 S	5/1996	Natuzzi et al.	
D383,326 S	9/1997	Hopfer	
D384,219 S	* 9/1997	Natuzzi et al.	D6/381
D385,426 S	* 10/1997	Gibson	D6/381
D407,572 S	4/1999	Natuzzi et al.	
D424,318 S	* 5/2000	Natuzzi et al.	D6/381
D429,080 S	8/2000	Natuzzi et al.	
D430,738 S	9/2000	Zaidman	
D469,973 S	2/2003	Ricci	
D470,325 S	2/2003	Ricci	
D474,905 S	5/2003	Ricci	
D474,909 S	5/2003	Ricci	
D475,215 S	6/2003	Ricci	
D487,996 S	* 4/2004	Natuzzi	D6/381

**OTHER PUBLICATIONS**

Natuzzi Model 446, International Home Furnishings market, High Point, NC, Apr. 1988.\*  
 De Coro Ltd. Sofa Model No. 2176, Apr. 2002, at the International Home Furnishing Market in High Point, N.C.

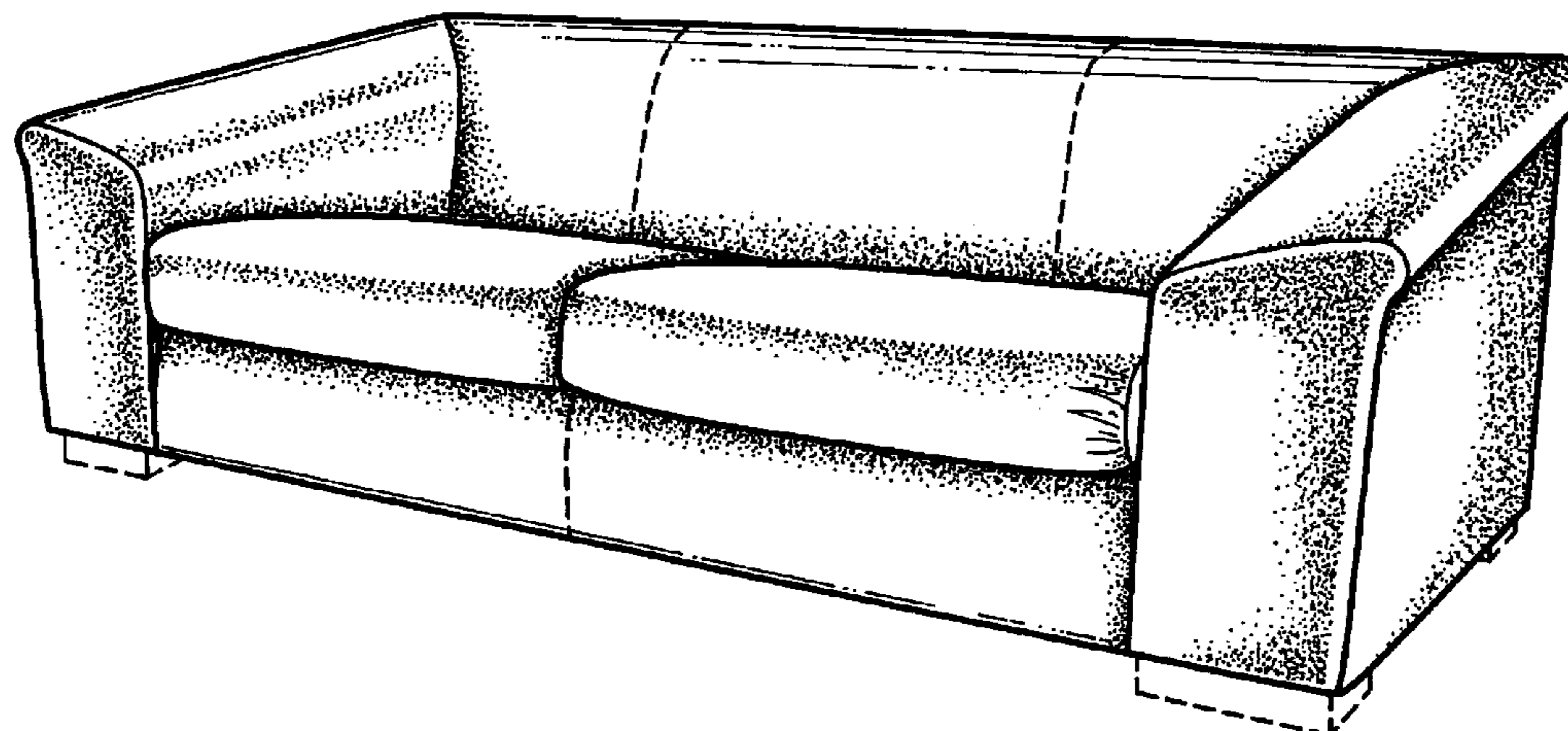
(57) **CLAIM**

The ornamental design for a seat, as shown and described.

**DESCRIPTION**

FIG. 1 is a front perspective view of one embodiment of my new seat design in the form of a sofa;  
 FIG. 2 is a front elevation view of the embodiment of FIG. 1;  
 FIG. 3 is a left, side elevation view of the embodiment of FIG. 1, with the right side elevational view being a mirror image thereof;  
 FIG. 4 is a rear elevation view of the embodiment of FIG. 1;  
 FIG. 5 is a front perspective view of a second embodiment of my new seat design in the form of a chair;  
 FIG. 6 is a front elevation view of the embodiment of FIG. 5; and,  
 FIG. 7 is a rear elevation view of the embodiment of FIG. 5.  
 The side elevation views of FIGS. 5, 6, and 7 are like that shown in FIG. 3. The broken line disclosure is for illustrative purposes only and forms no part of the claimed design.

**1 Claim, 4 Drawing Sheets**

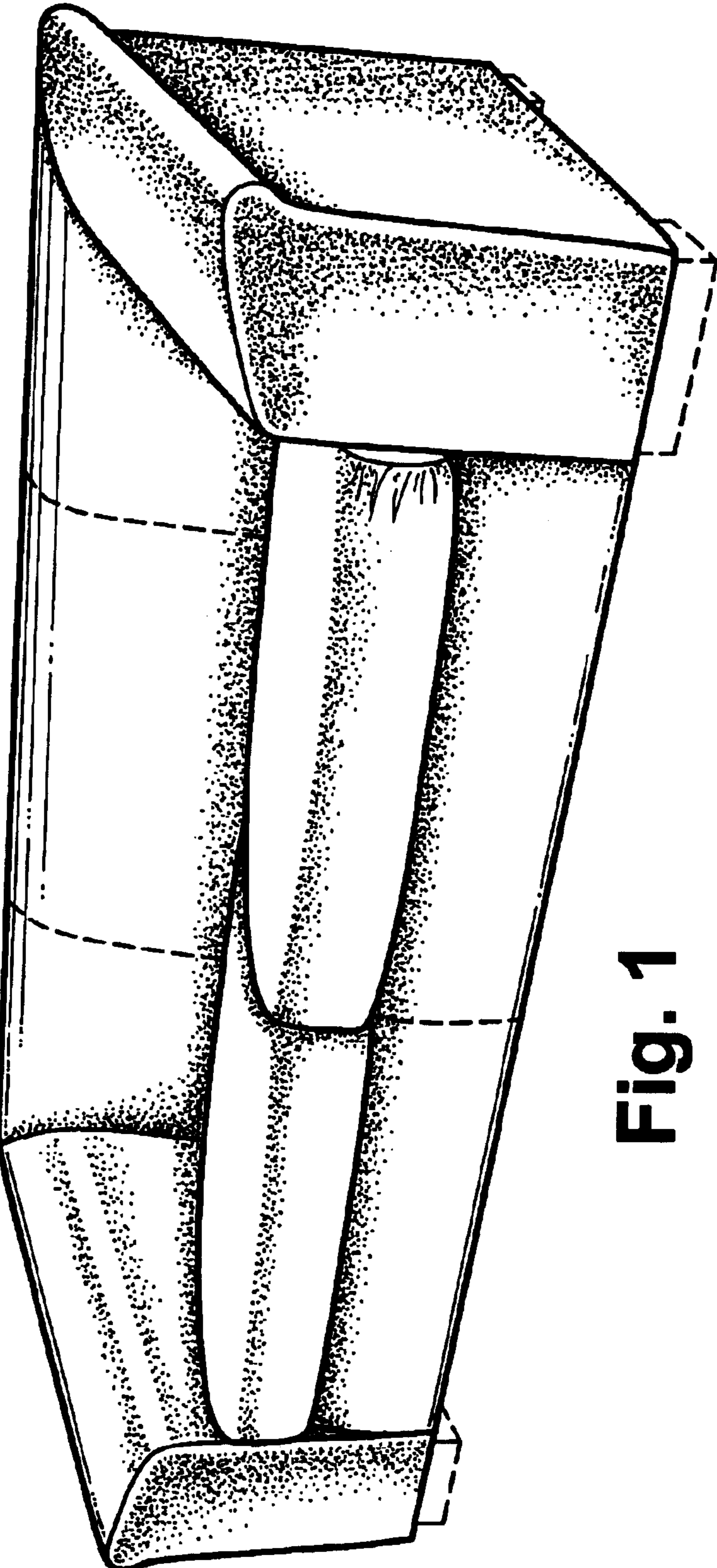


OTHER PUBLICATIONS

De Coro Ltd. Sofa Model No. 105, Apr. 1998, at the International Home Furnishing Market in High Point, N.C.  
De Coro Ltd. Sofa Model No. 2189, Apr. 2002, at the International Home Furnishing Market in High Point, N.C.  
De Coro Ltd. Sofa Model No. 2190, Apr. 2002, at the International Home Furnishing Market in High Point, N.C.

De Coro Ltd. Sofa Model No. 2244, Oct. 2002, at the International Home Furnishing Market in High Point, N.C.  
De Coro Ltd. Sofa Model No. 2269, Oct. 2002, at the International Home Furnishing Market in High Point, N.C.  
De Coro Ltd. Sofa Model No. D101, Oct. 2002, at the International Home Furnishing Market in High Point, N.C.

\* cited by examiner



**Fig. 1**

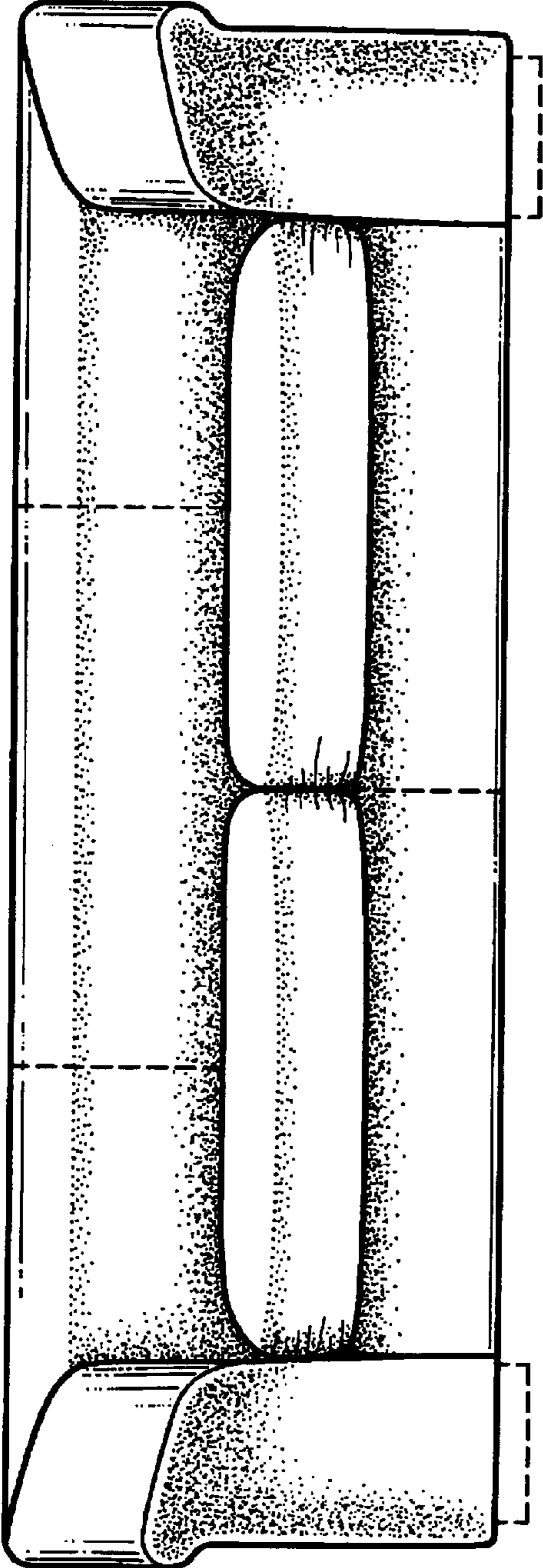


Fig. 2

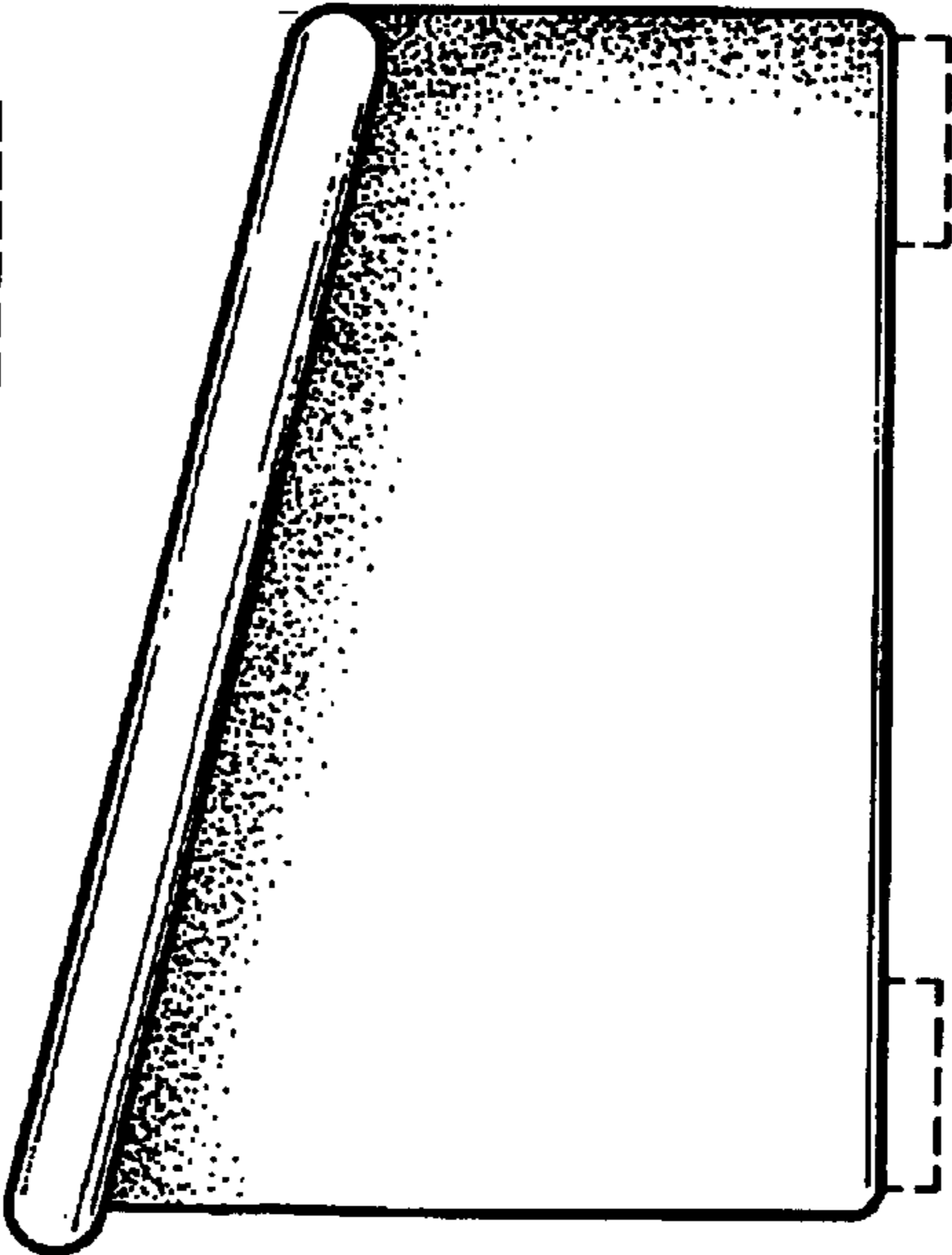


Fig. 3

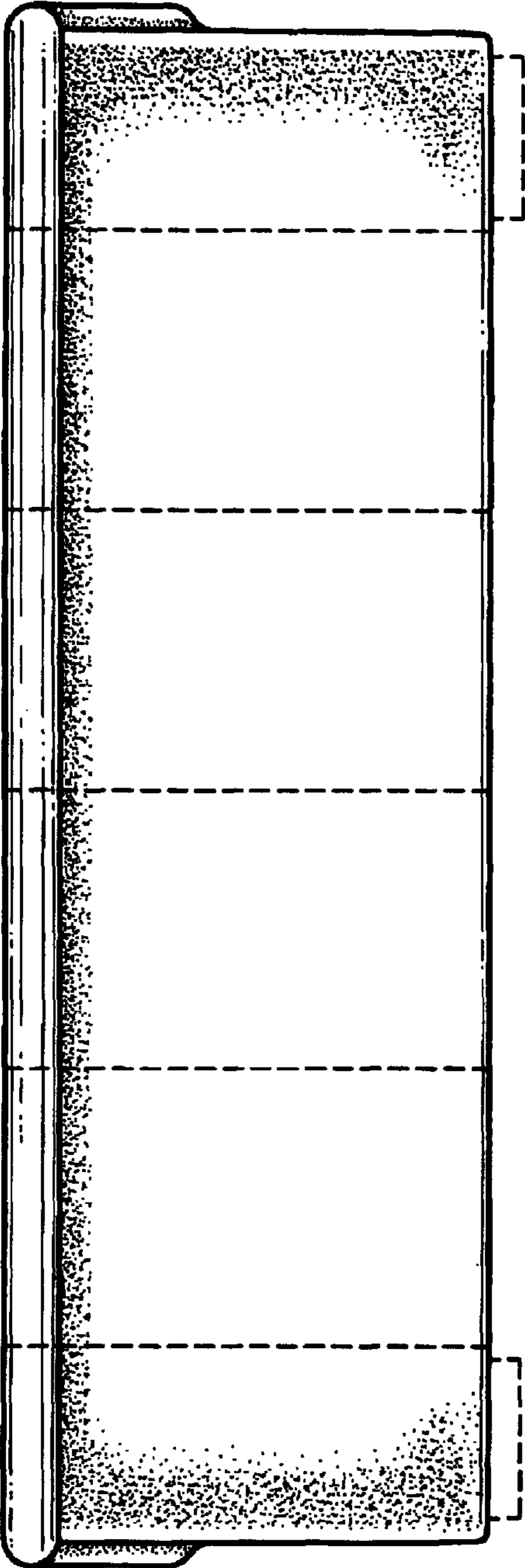


Fig. 4

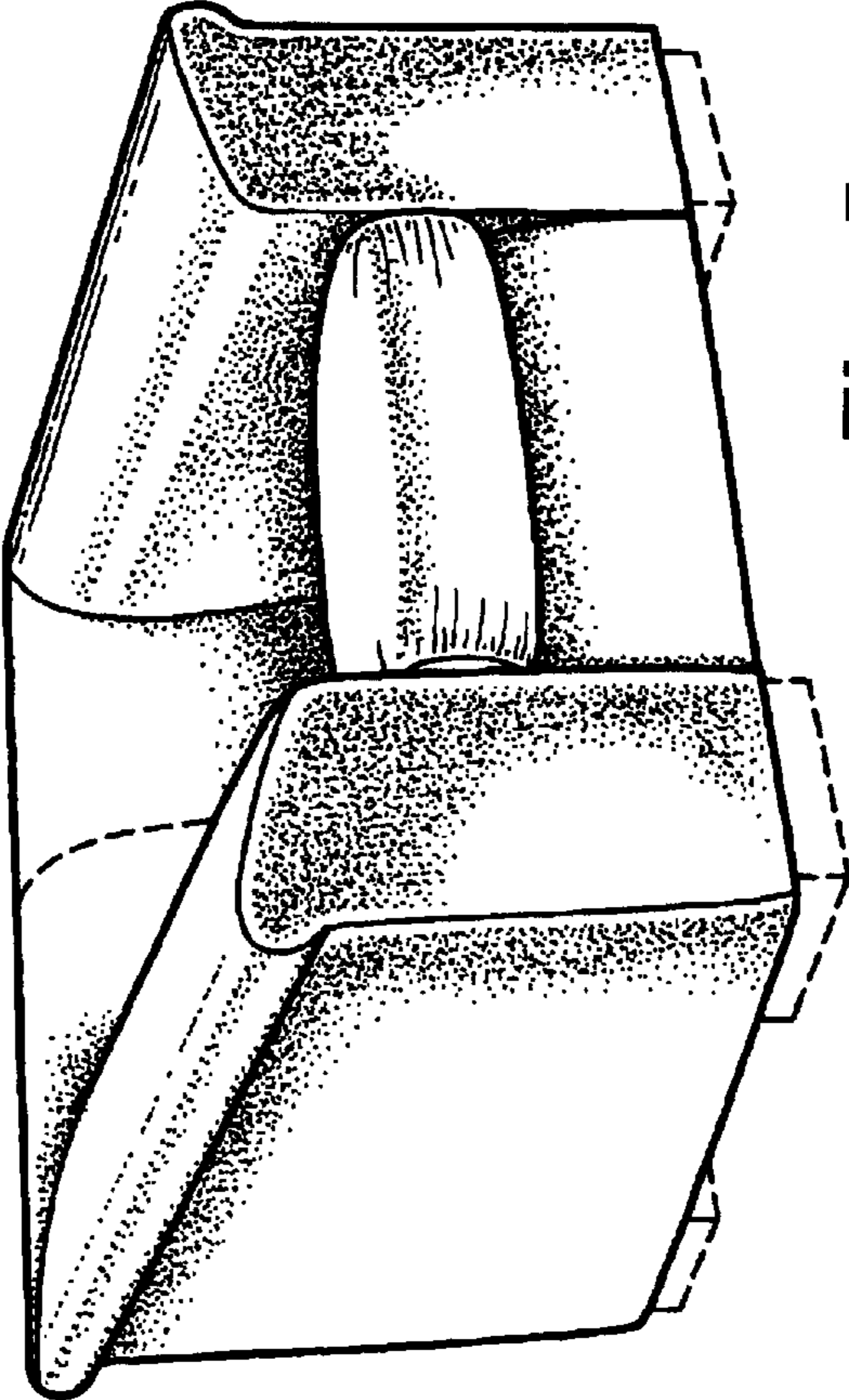


Fig. 5

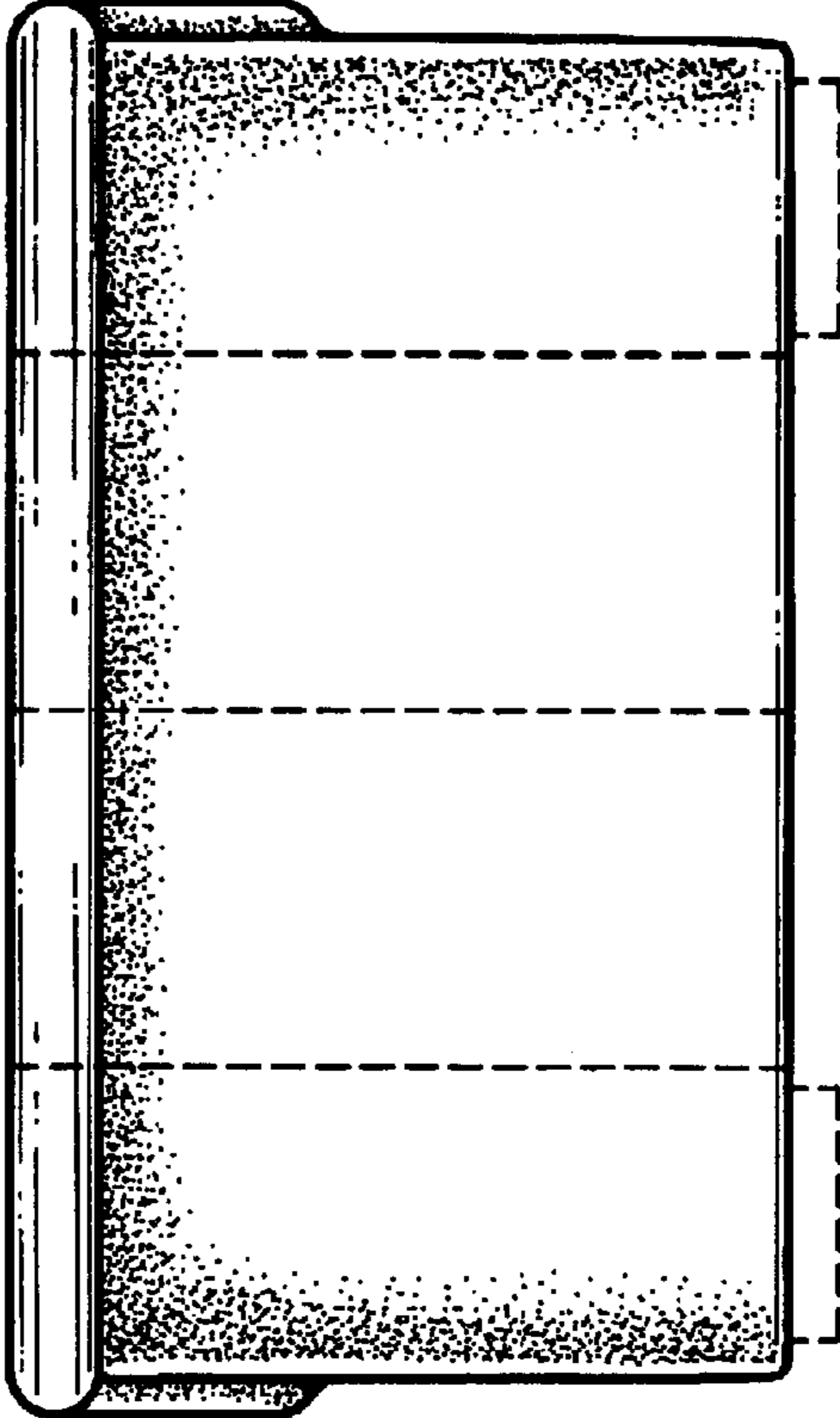


Fig. 7

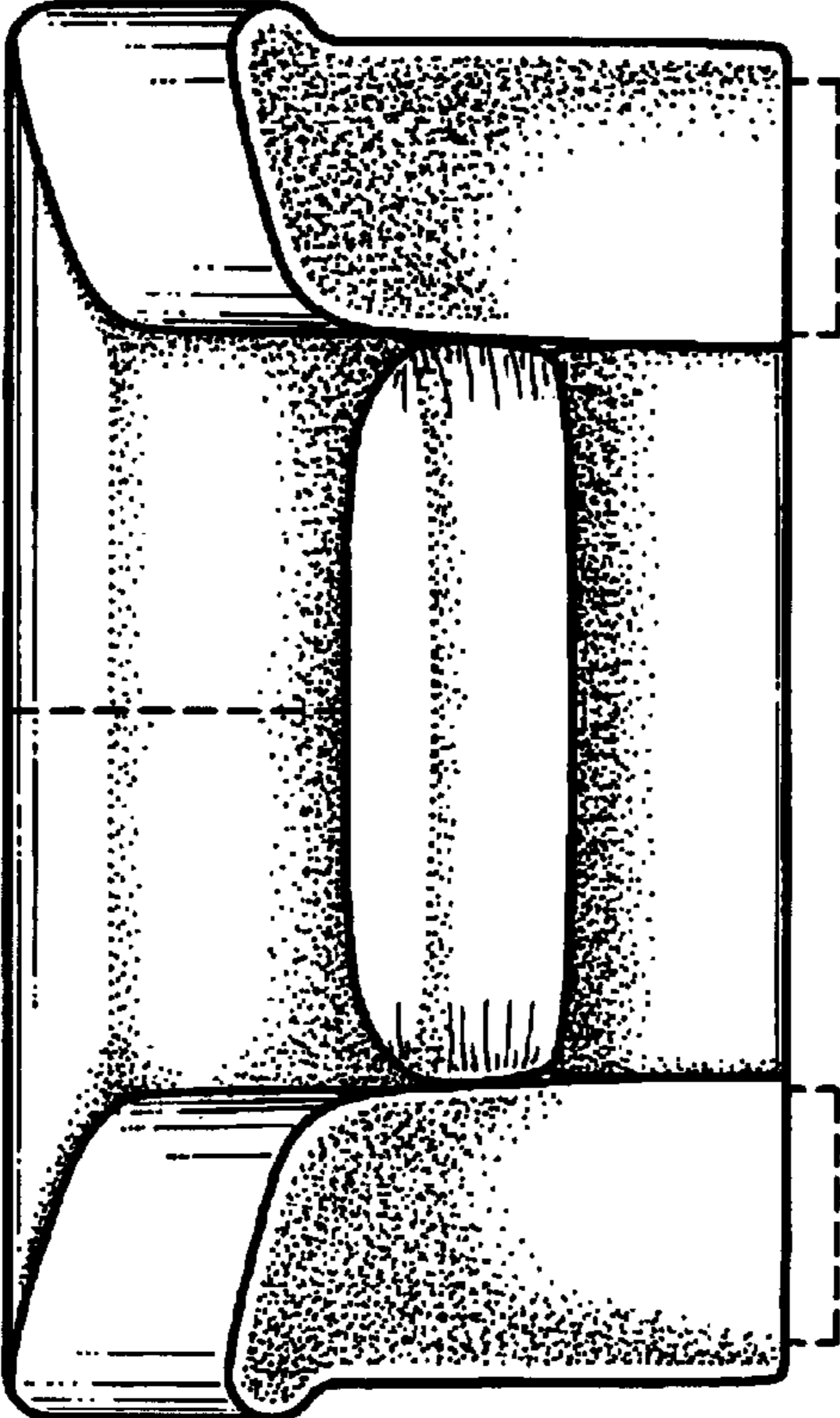


Fig. 6