

US00D495511S1

(12) **United States Design Patent**
Dingess et al.

(10) **Patent No.:** **US D495,511 S**
(45) **Date of Patent:** **** Sep. 7, 2004**

(54) **FOLDING, PADDED PORTABLE SEAT WITH CURVED BACK, BLEACHER HOOKS AND SNAP STRAP**

(76) Inventors: **Harold G. Dingess**, Rt. 292, N. Hode Box 56, Warfield, KY (US) 41267;
Betty Dingess, Rt. 292, N. Hode Box 56, Warfield, KY (US) 41267

(**) **Term:** **14 Years**

(21) **Appl. No.:** **29/195,760**

(22) **Filed:** **Dec. 18, 2003**

(51) **LOC (7) Cl.** **06-01**

(52) **U.S. Cl.** **D6/368**

(58) **Field of Search** D6/333-336, 362, D6/367, 368, 374, 376, 500-502; 297/4, 16.1, 183.5, 250.1, 252, 350, 352, 353, 378.1

(56) **References Cited**

U.S. PATENT DOCUMENTS

1,074,615 A	10/1913	Folmer	
2,108,531 A	* 2/1938	Flanders	297/350
D121,266 S	* 7/1940	Archer	D6/368
2,647,563 A	* 8/1953	Bishop et al.	297/350
2,702,076 A	* 2/1955	Beardsley et al.	297/252
3,026,142 A	* 3/1962	Holloway	297/252
3,994,529 A	* 11/1976	Lippert	297/252

D252,658 S	* 8/1979	Kressin	D6/368
4,450,990 A	5/1984	Bolstad	
4,611,852 A	* 9/1986	Filer	297/352
D293,282 S	12/1987	Ashford	
D294,319 S	2/1988	Troup et al.	
5,421,637 A	6/1995	Lemburg	
5,580,125 A	12/1996	Alger	
D468,548 S	* 1/2003	Head, Jr.	D6/368

* cited by examiner

Primary Examiner—Mimosa De

(74) *Attorney, Agent, or Firm*—Donald R. Schoonover

(57) **CLAIM**

We claim the ornamental design for a folding, padded portable seat with curved back, bleacher hooks and snap strap, as shown and described.

DESCRIPTION

FIG. 1 is a perspective view of a folding, padded portable seat with curved back, bleacher hooks and snap strap showing our new design;

FIG. 2 is a right side elevational view thereof, the left side elevational view being a mirror image thereof;

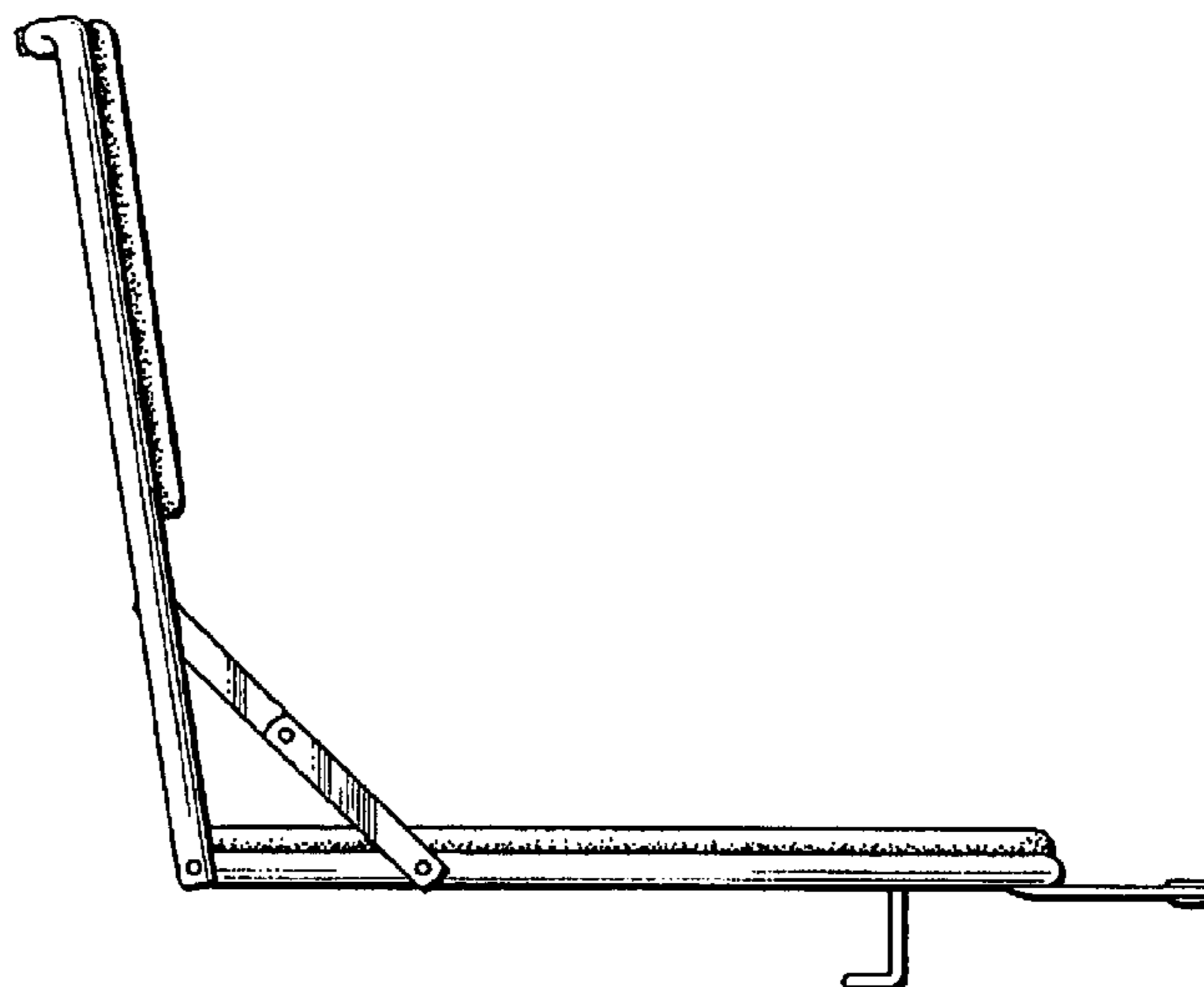
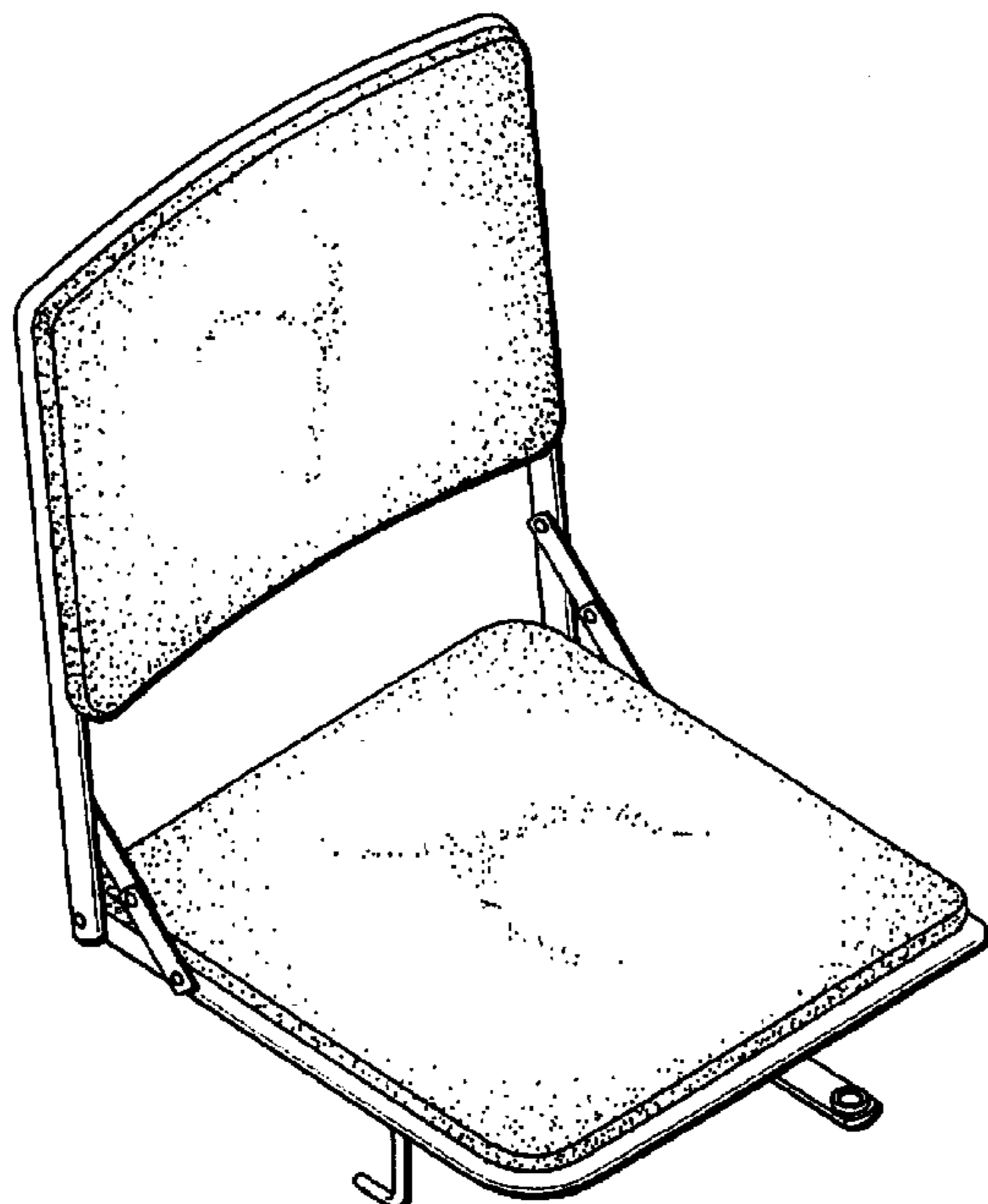
FIG. 3 is a top plan view thereof;

FIG. 4 is a front elevational view thereof;

FIG. 5 is a bottom plan view thereof; and,

FIG. 6 is a rear elevational view thereof.

1 Claim, 3 Drawing Sheets



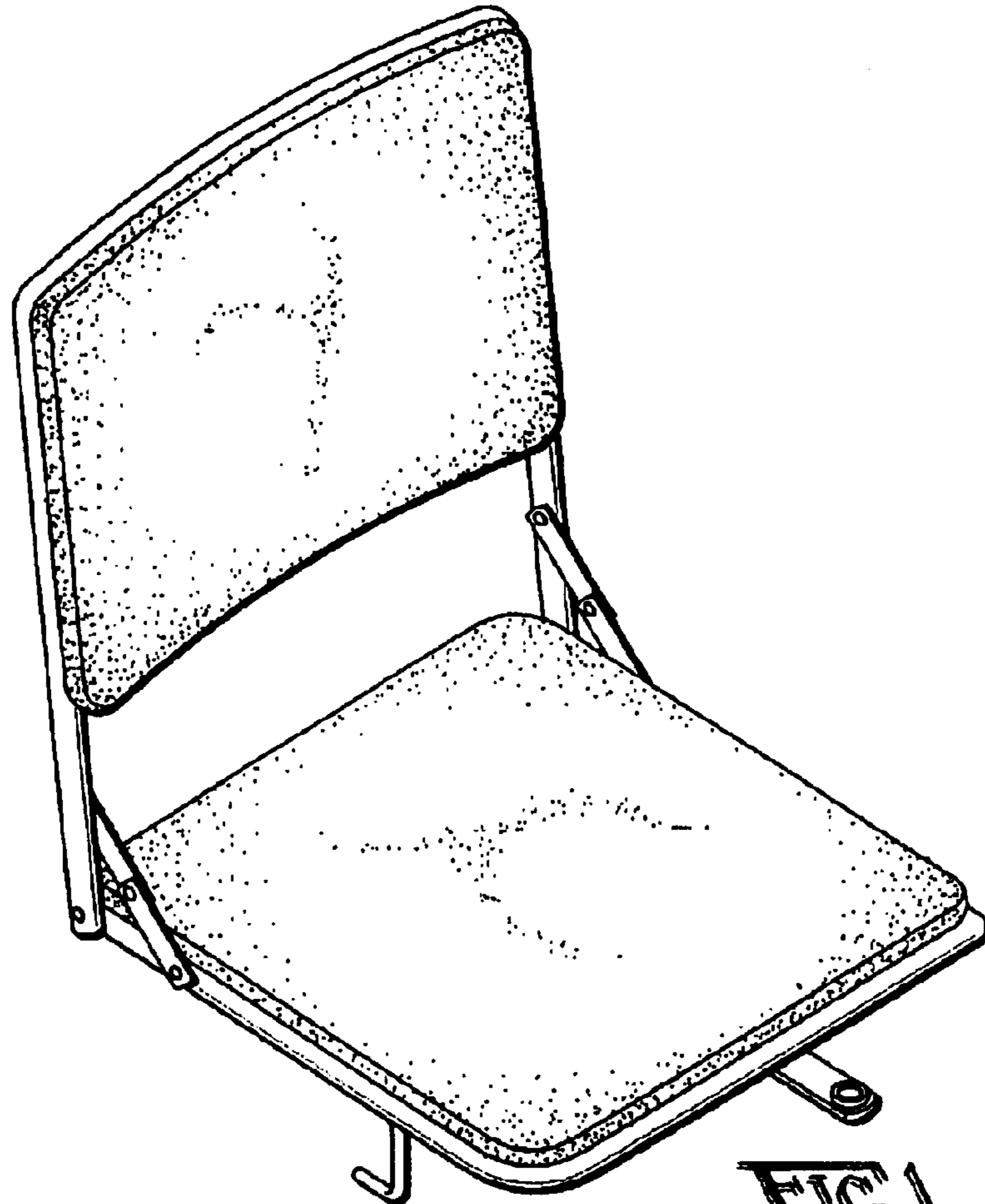


FIG. 1

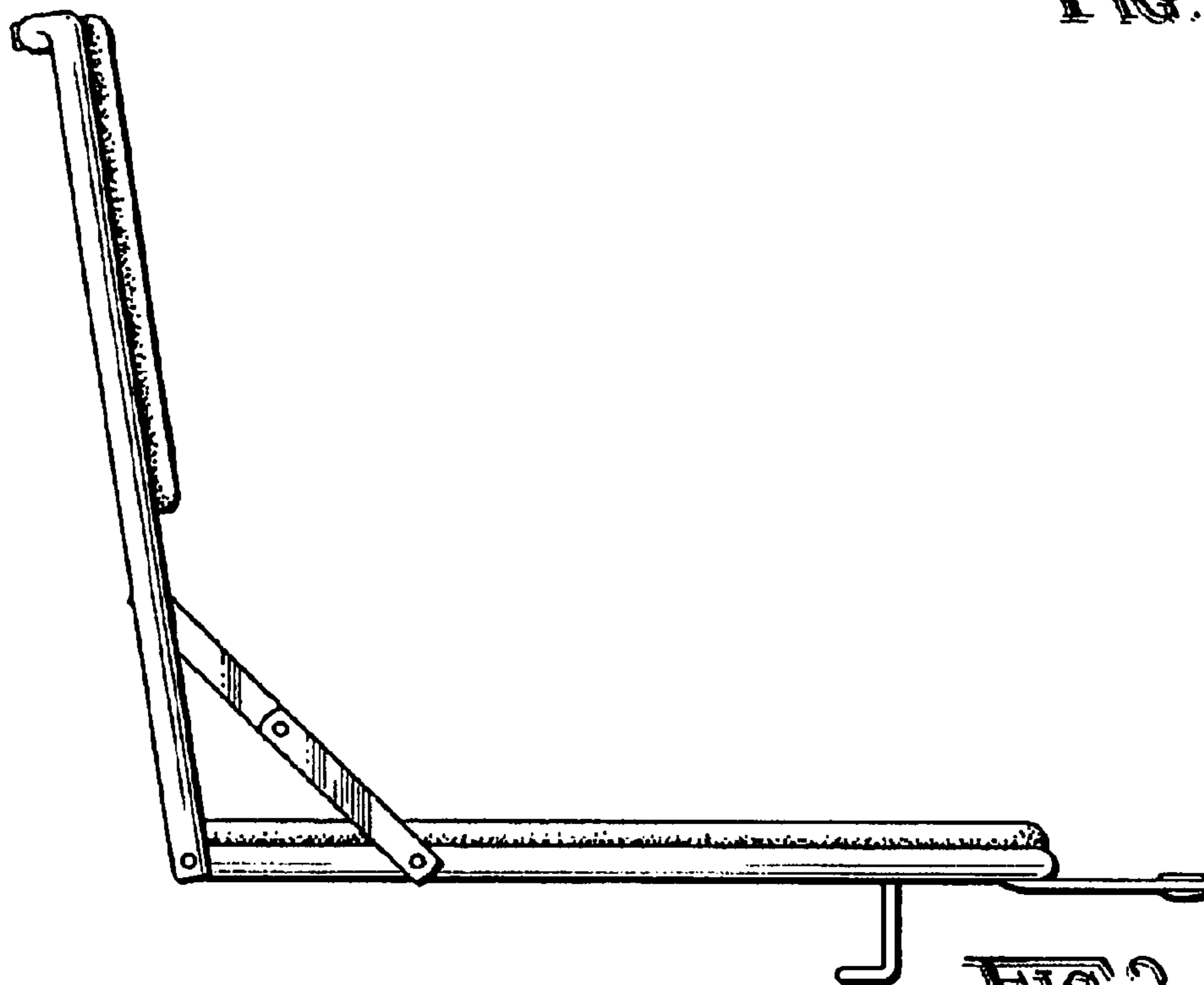


FIG. 2

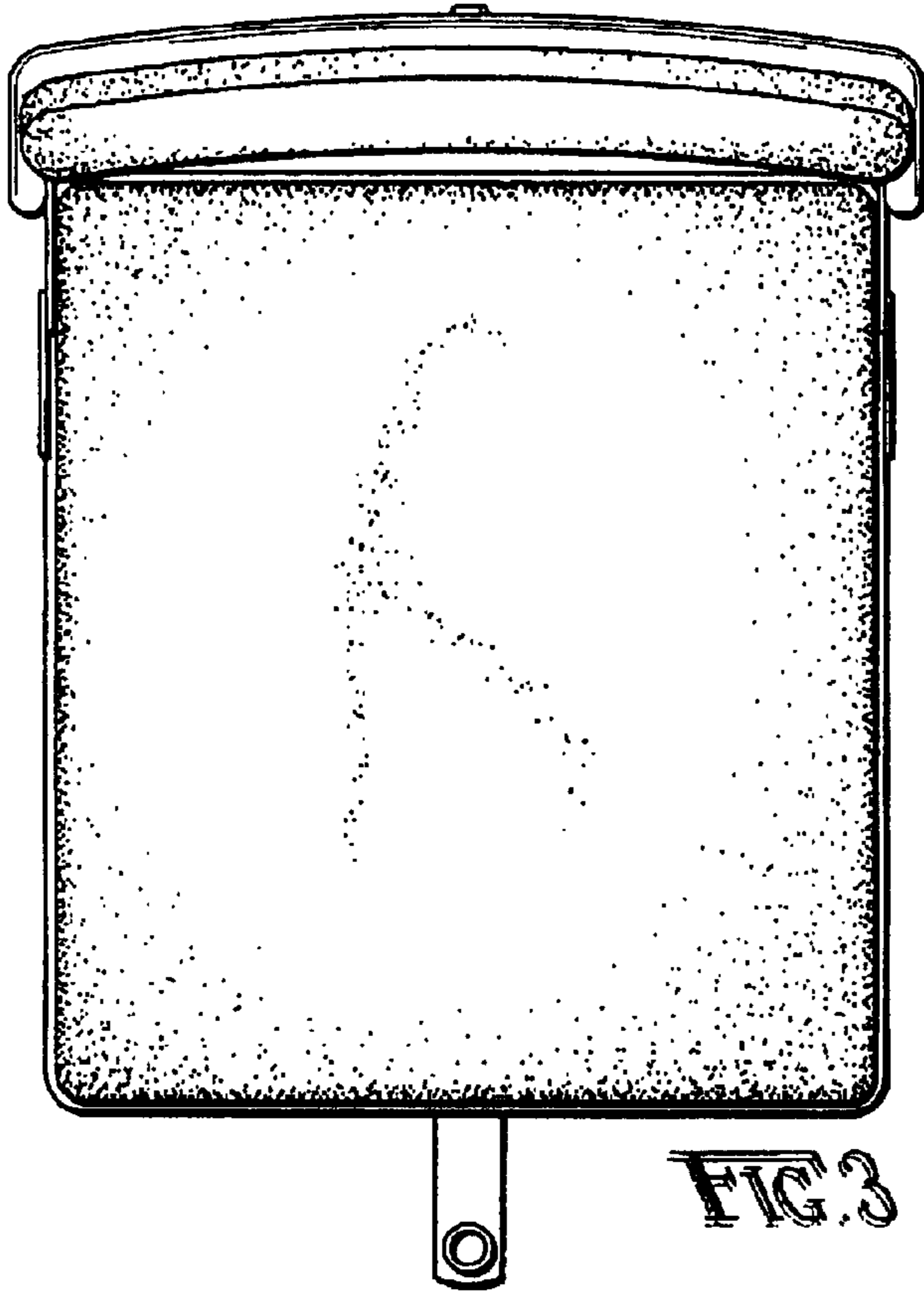


FIG. 3

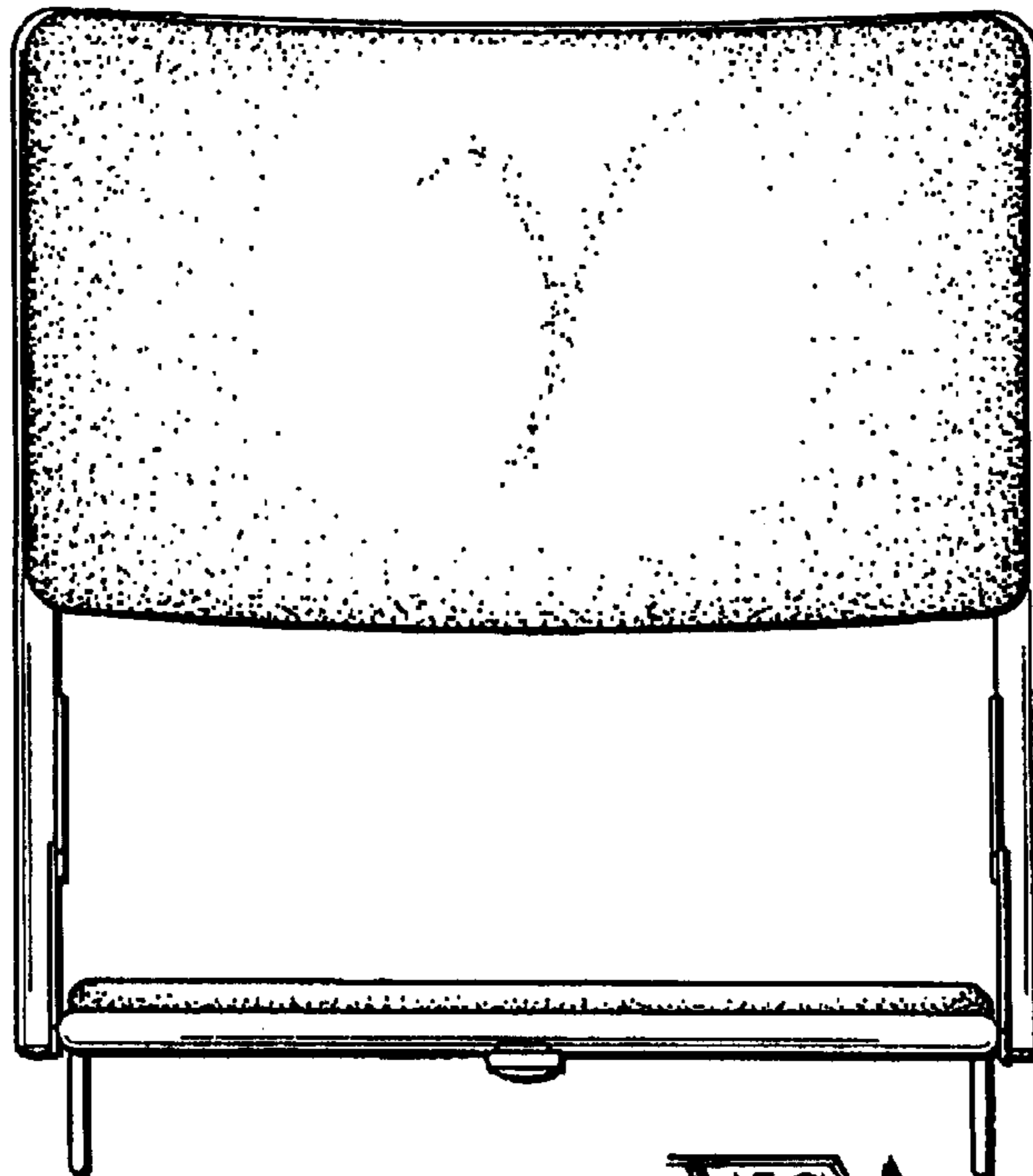


FIG. 4

