

US00D495510S1

(12) **United States Design Patent**
Lacina

(10) **Patent No.:** **US D495,510 S**

(45) **Date of Patent:** **** Sep. 7, 2004**

(54) **MASSAGE CHAIR**

(76) **Inventor:** **Kathy Pihlaja Lacina**, P.O. Box
361064, Melbourne, FL (US) 32936

(**) **Term:** **14 Years**

(21) **Appl. No.:** **29/198,099**

(22) **Filed:** **Jan. 26, 2004**

(51) **LOC (7) Cl.** **06-01**

(52) **U.S. Cl.** **D6/367; D6/336**

(58) **Field of Search** D6/334, 335, 336,
D6/360, 361, 367, 500-502; D24/183; 5/613,
632; 297/188.01, 188.09, 423.1, 423.12,
423.4

(56) **References Cited**

U.S. PATENT DOCUMENTS

- D201,687 S * 7/1965 Barnett D6/336
- 3,334,951 A * 8/1967 Douglass et al. 5/613
- 4,746,167 A * 5/1988 Palmer et al. 297/423.12
- D357,131 S * 4/1995 Lo D6/361

- 5,971,485 A * 10/1999 Clark 297/423.12
- D436,176 S * 1/2001 Fanuzzi D24/183
- D487,360 S * 3/2004 Lacina D6/367

* cited by examiner

Primary Examiner—Mimosa De

(74) *Attorney, Agent, or Firm*—William M. Hobby, III

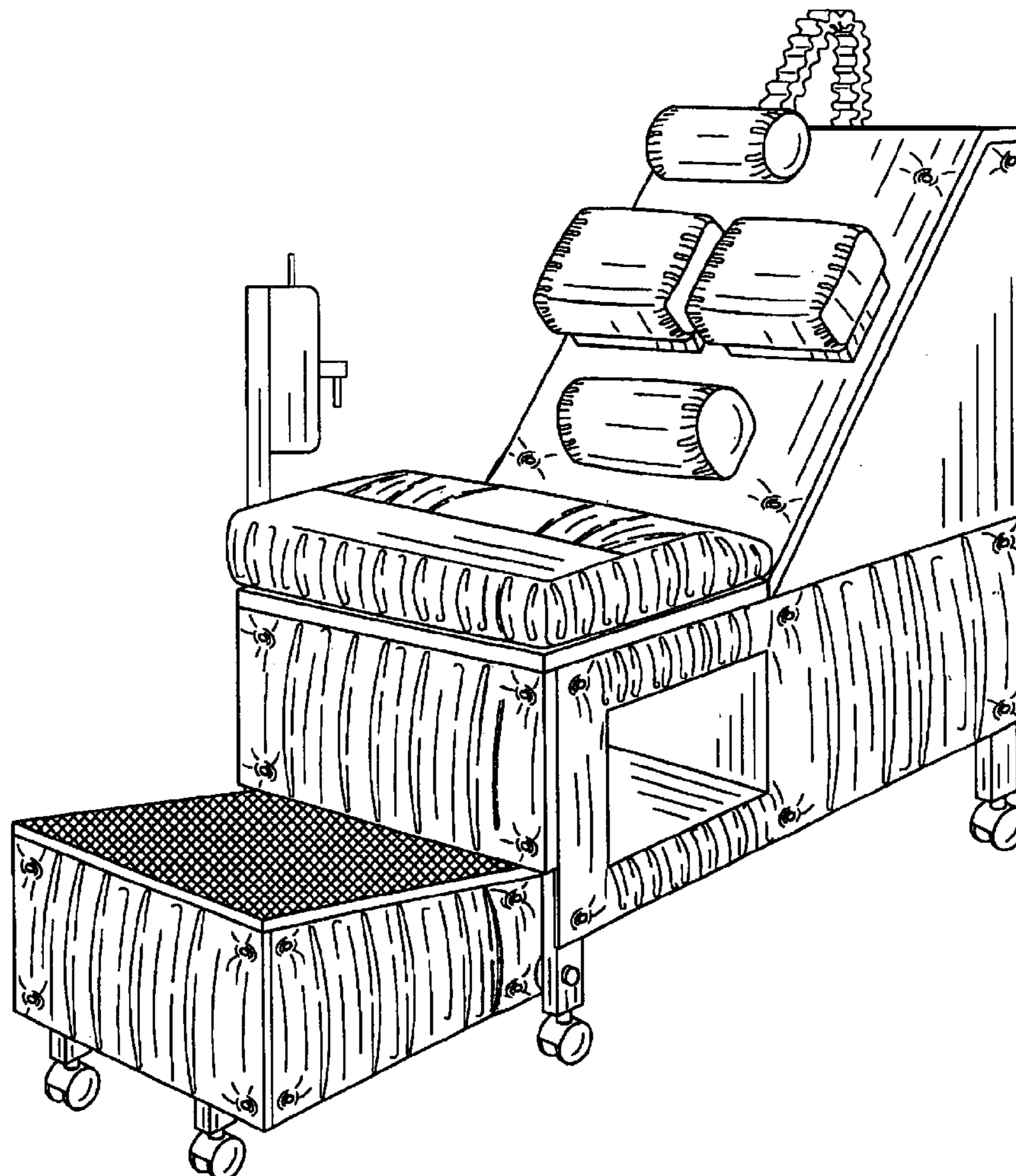
(57) **CLAIM**

The ornamental design for a massage chair, as shown and described.

DESCRIPTION

FIG. 1 is a front and right side perspective view of my new massage chair;
 FIG. 2 is a front elevation;
 FIG. 3 is a right side elevation;
 FIG. 4 is a rear elevation;
 FIG. 5 is a left side elevation;
 FIG. 6 is a top plan view; and,
 FIG. 7 is a bottom plan view.

1 Claim, 4 Drawing Sheets



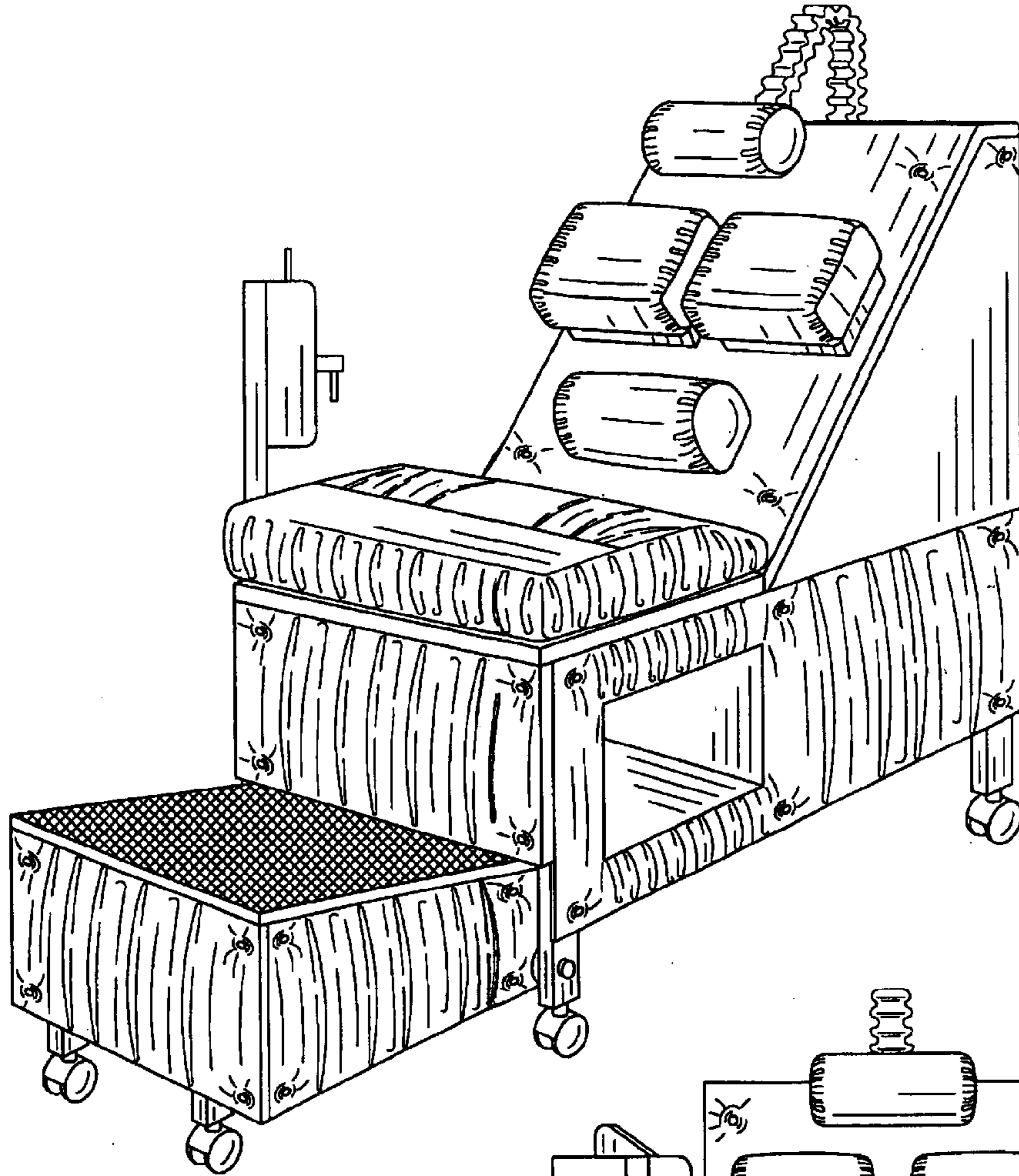


FIG. 1

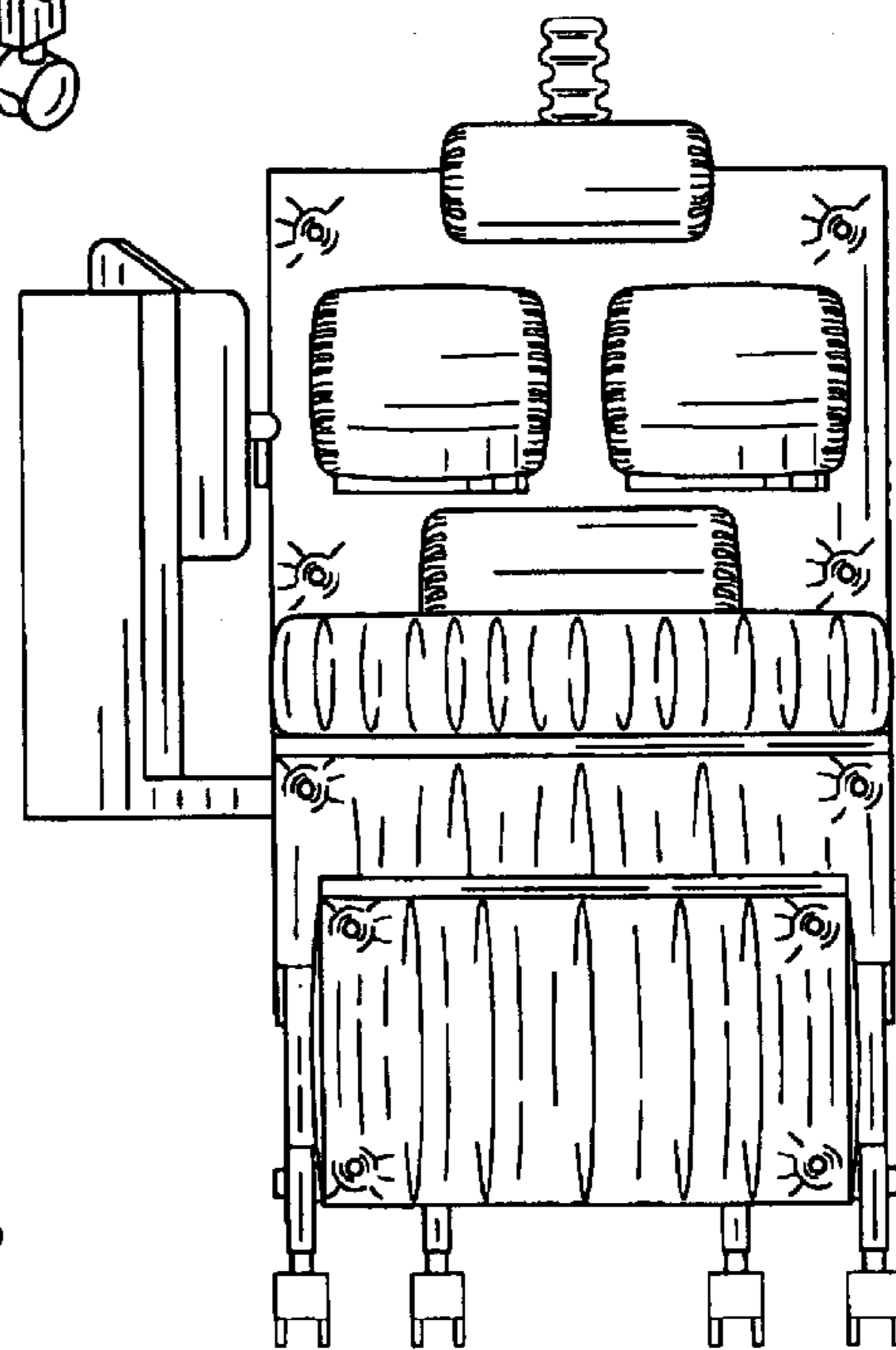


FIG. 2

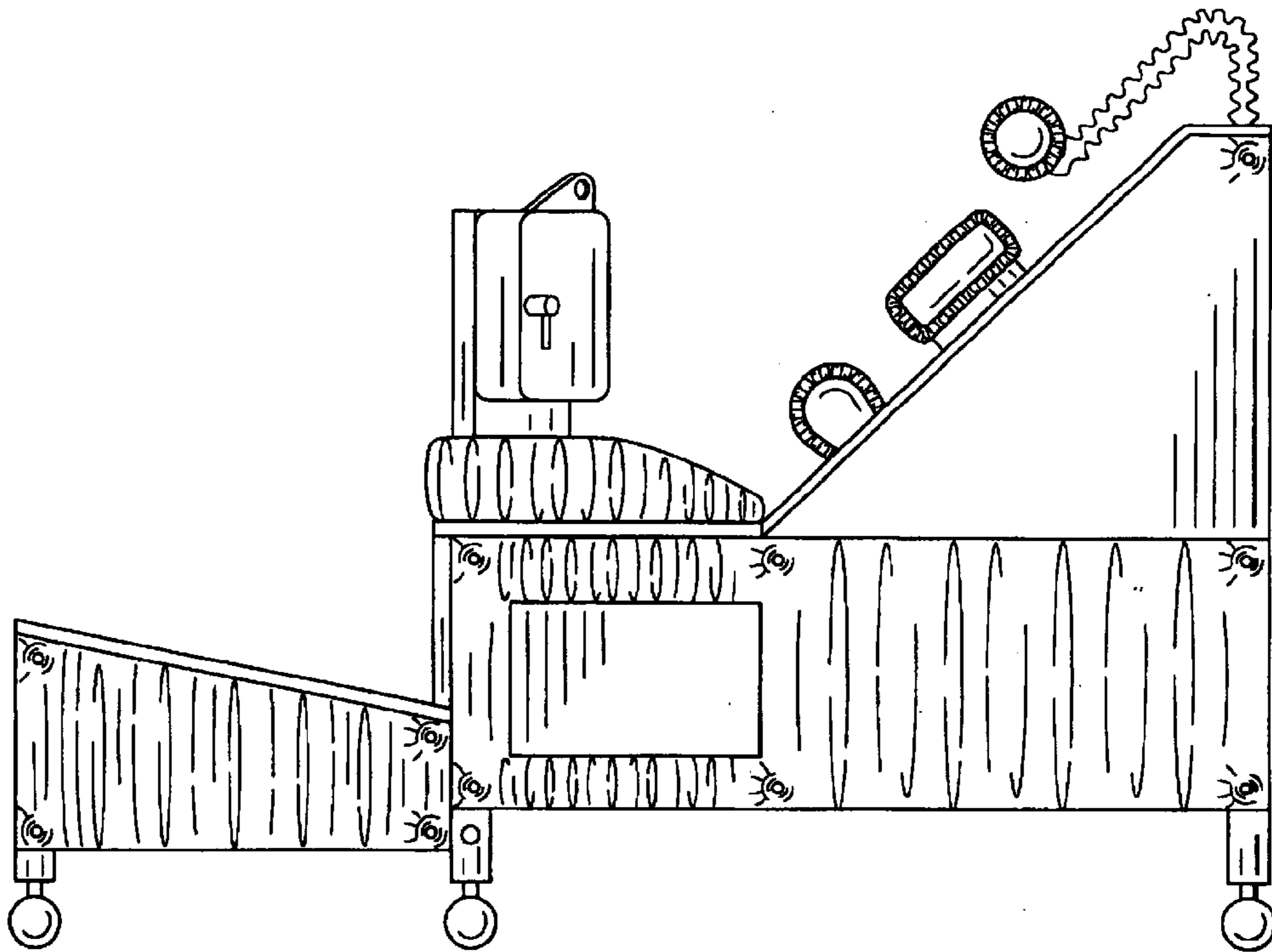


FIG. 3

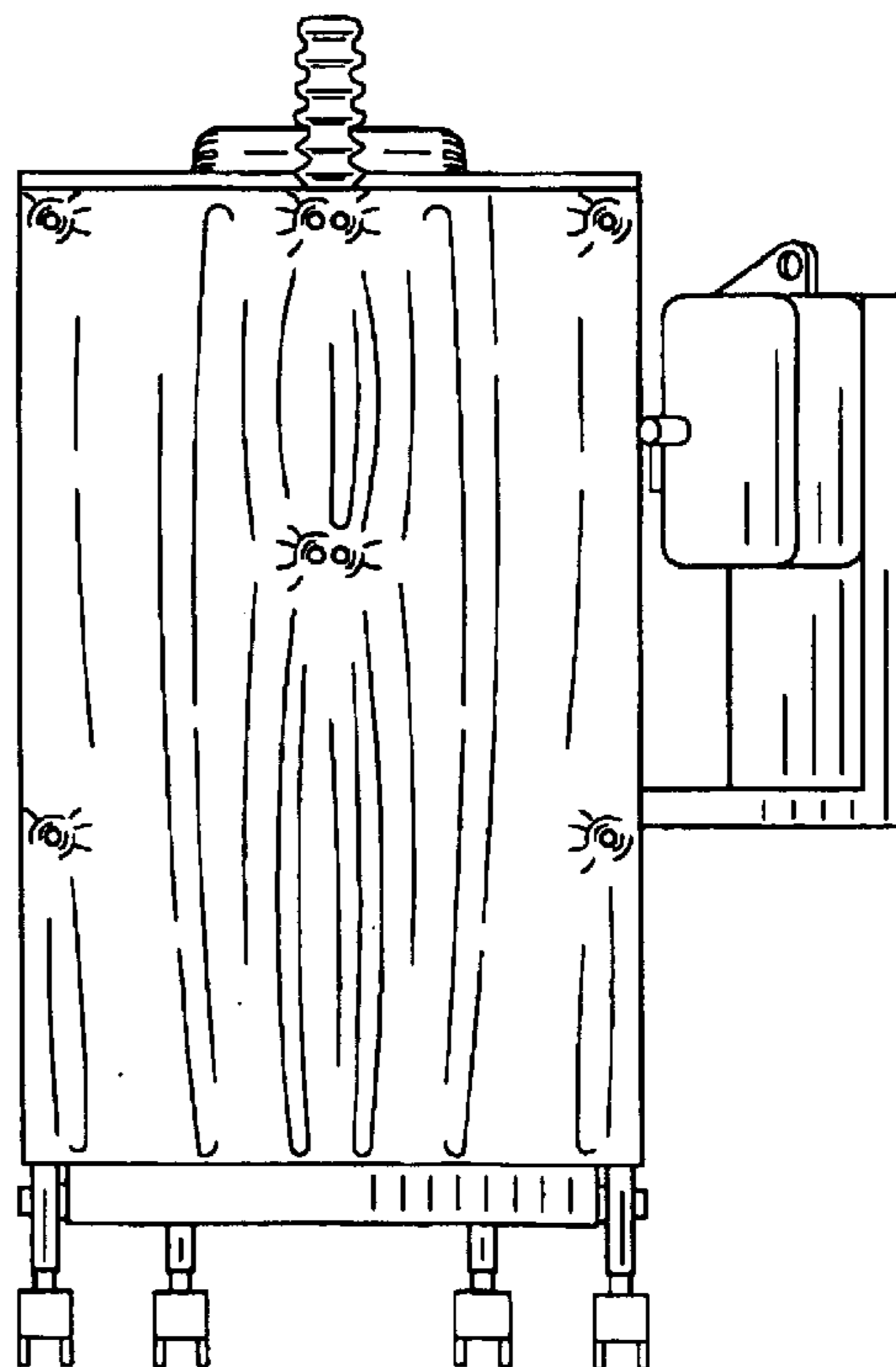


FIG. 4

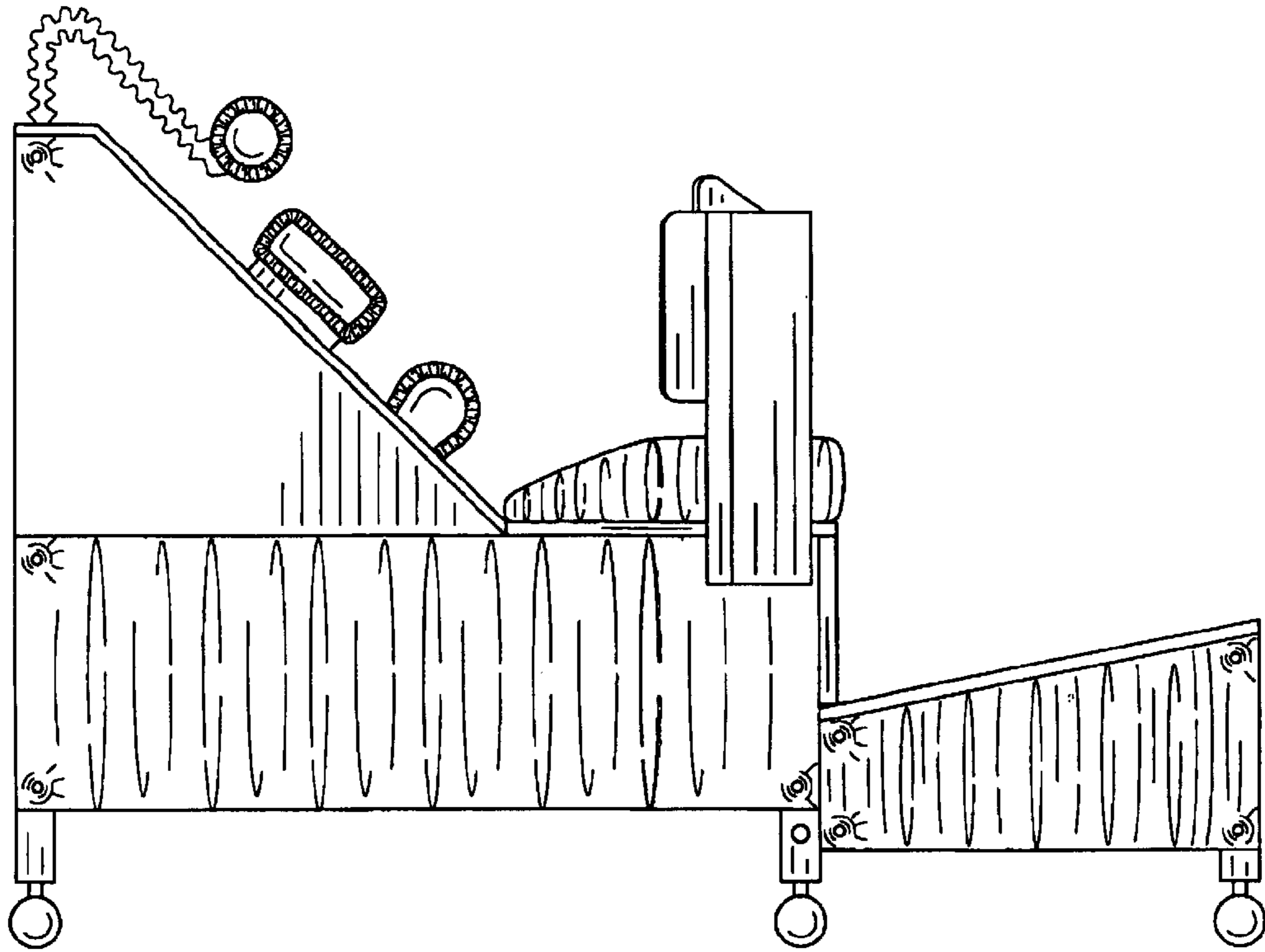


FIG. 5

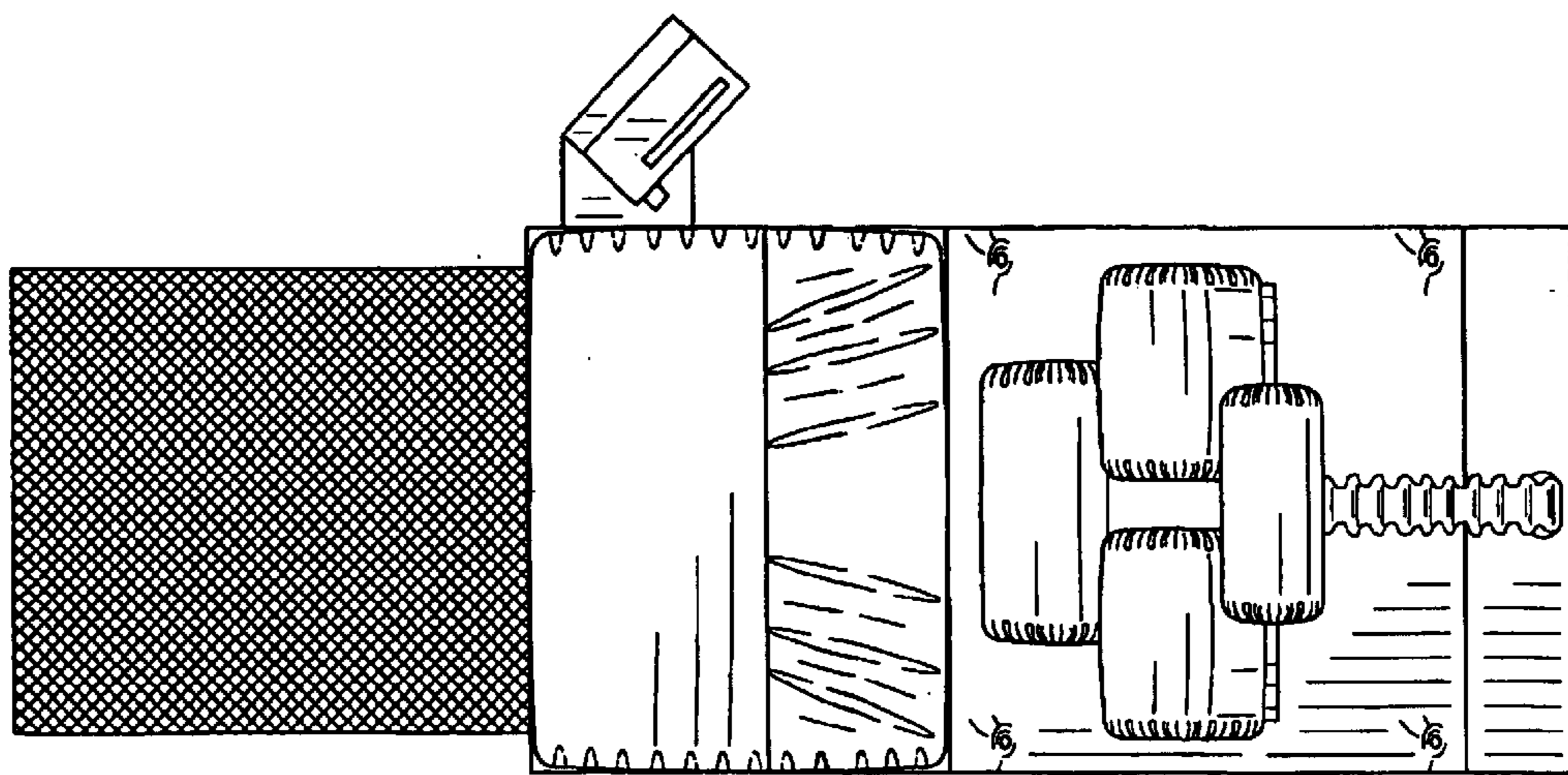


FIG. 6

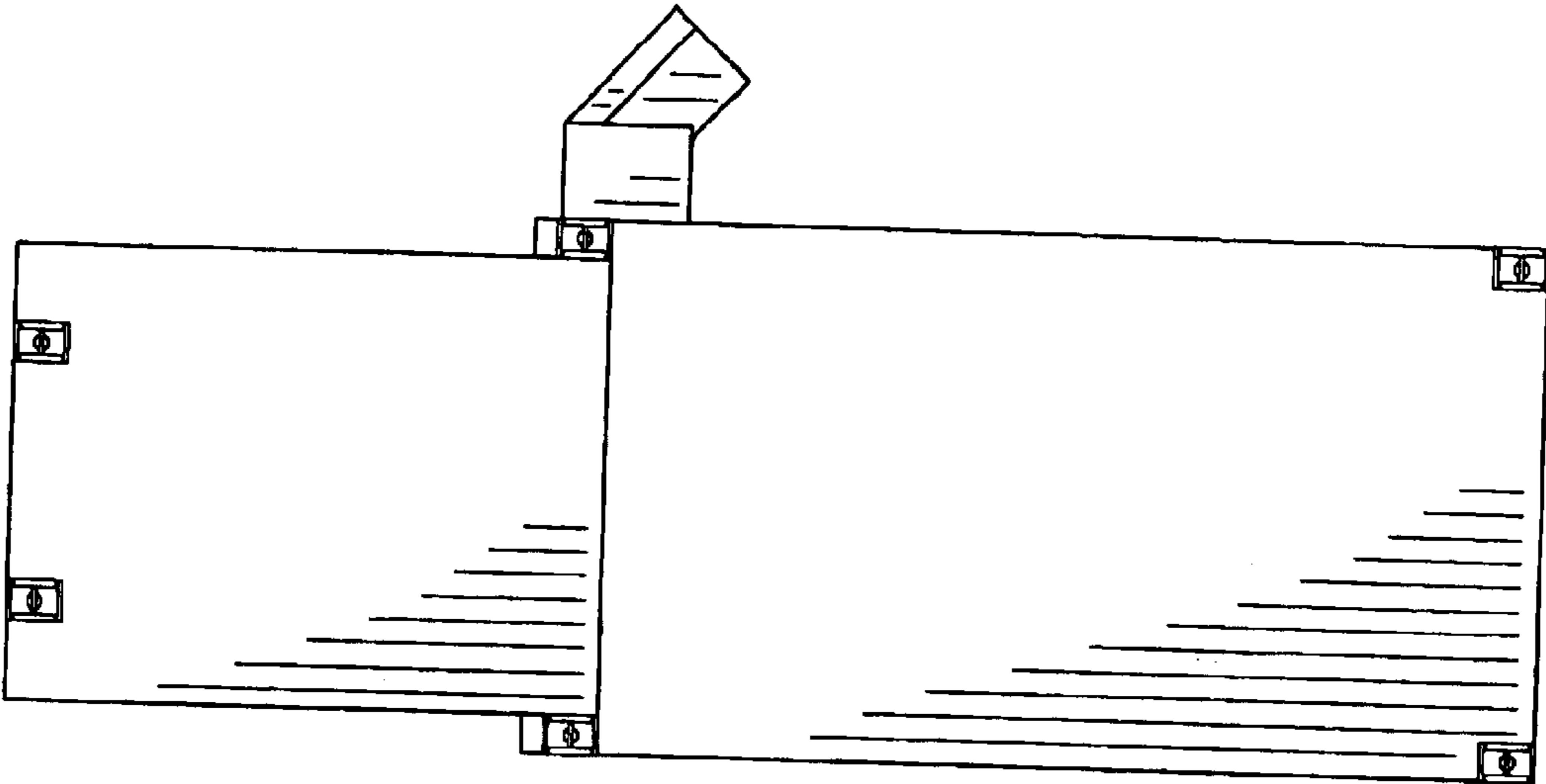


FIG. 7