

US00D495506S1

(12) **United States Design Patent** (10) **Patent No.:** **US D495,506 S**
Self et al. (45) **Date of Patent:** **** Sep. 7, 2004**

(54) **SHOWER SEAT**

(75) Inventors: **James Edward Self**, Colby (GB);
Graham Robin Lock, Glen Vine (GB);
Robert William Stimpson, Douglas
(GB)

(73) Assignee: **DLP Limited** (GB)

(**) Term: **14 Years**

(21) Appl. No.: **29/188,348**

(22) Filed: **Aug. 19, 2003**

(30) **Foreign Application Priority Data**

Feb. 20, 2003 (GB) 3011018

(51) **LOC (7) Cl.** **06-01**

(52) **U.S. Cl.** **D6/362**

(58) **Field of Search** D6/334, 335, 349,
D6/355, 362, 368, 370, 378, 500-502, 553,
555, 567; 297/4, 14, 16.1, 130, 252, 331,
452.63; 4/578.1, 579, 611, 614; 108/44,
129, 134; 248/220.1, 240, 240.1

(56) **References Cited**

U.S. PATENT DOCUMENTS

2,792,053 A * 5/1957 Kursman 248/240.1
D203,109 S * 12/1965 Barecki et al. D6/368
3,709,159 A * 1/1973 Oglesby 108/44
4,087,127 A * 5/1978 Lotta 297/14

D342,779 S * 12/1993 Root D23/304
D358,263 S * 5/1995 Yoder, Jr. D6/370
D368,594 S * 4/1996 Settambino D6/349
5,590,427 A * 1/1997 Weterings et al. 4/611
5,671,489 A * 9/1997 Salach 4/614
5,967,255 A * 10/1999 Young 297/14
6,305,741 B1 * 10/2001 Fernandez 297/14
D464,818 S * 10/2002 Adman et al. D6/362

* cited by examiner

Primary Examiner—Mimosa De

(74) *Attorney, Agent, or Firm*—Young & Thompson

(57) **CLAIM**

The ornamental design for a shower seat, as shown and described.

DESCRIPTION

FIG. 1 is a top, front and side perspective view of a shower seat showing our new design;

FIG. 2 is a front elevational view thereof;

FIG. 3 is a side elevational view thereof from the left of FIG. 2;

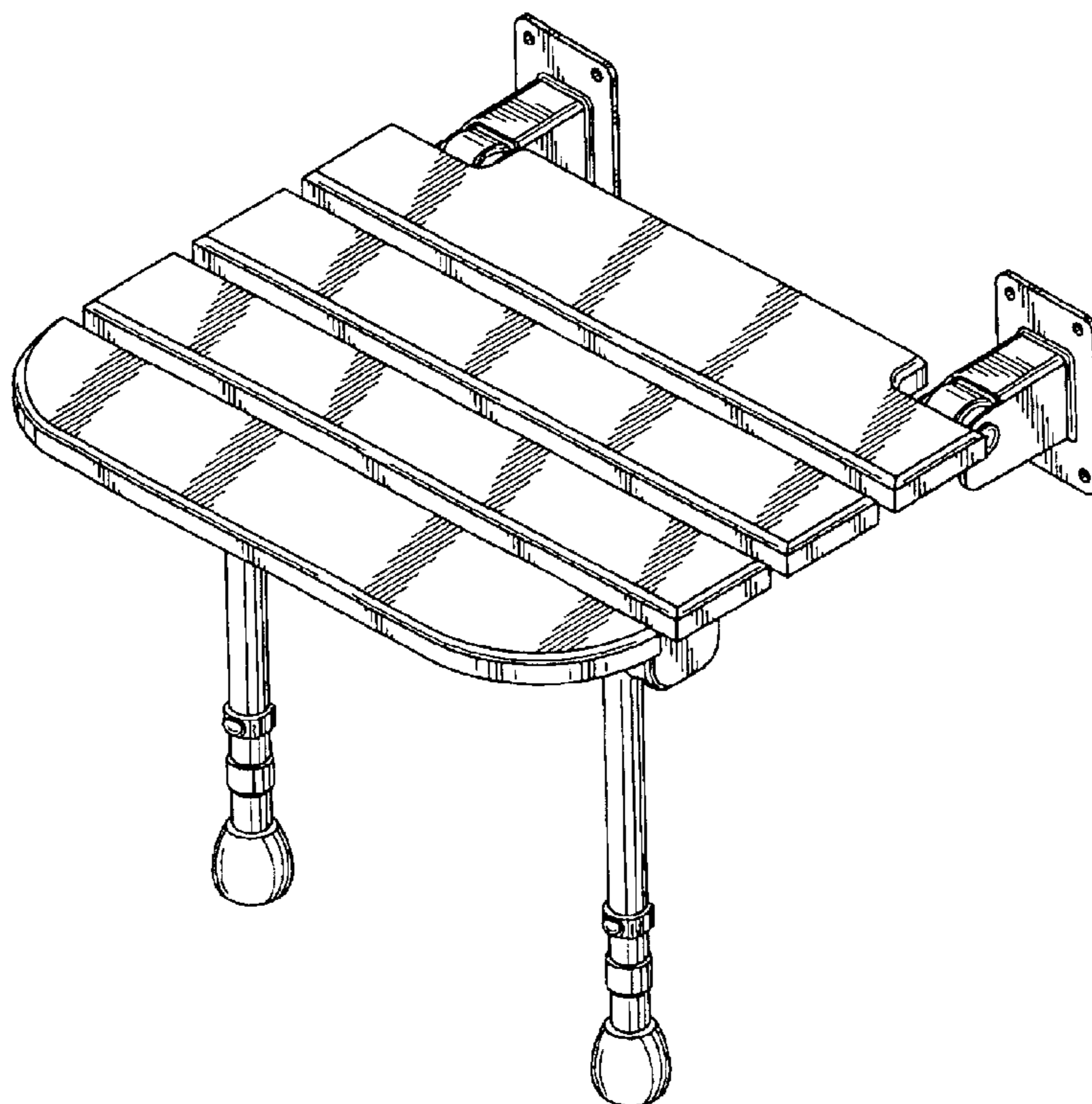
FIG. 4 is a side elevational view thereof from the right of FIG. 2;

FIG. 5 is a rear elevational view thereof; and,

FIG. 6 is a top plan view thereof.

The appearance of the underside forms no part of the claimed design.

1 Claim, 4 Drawing Sheets



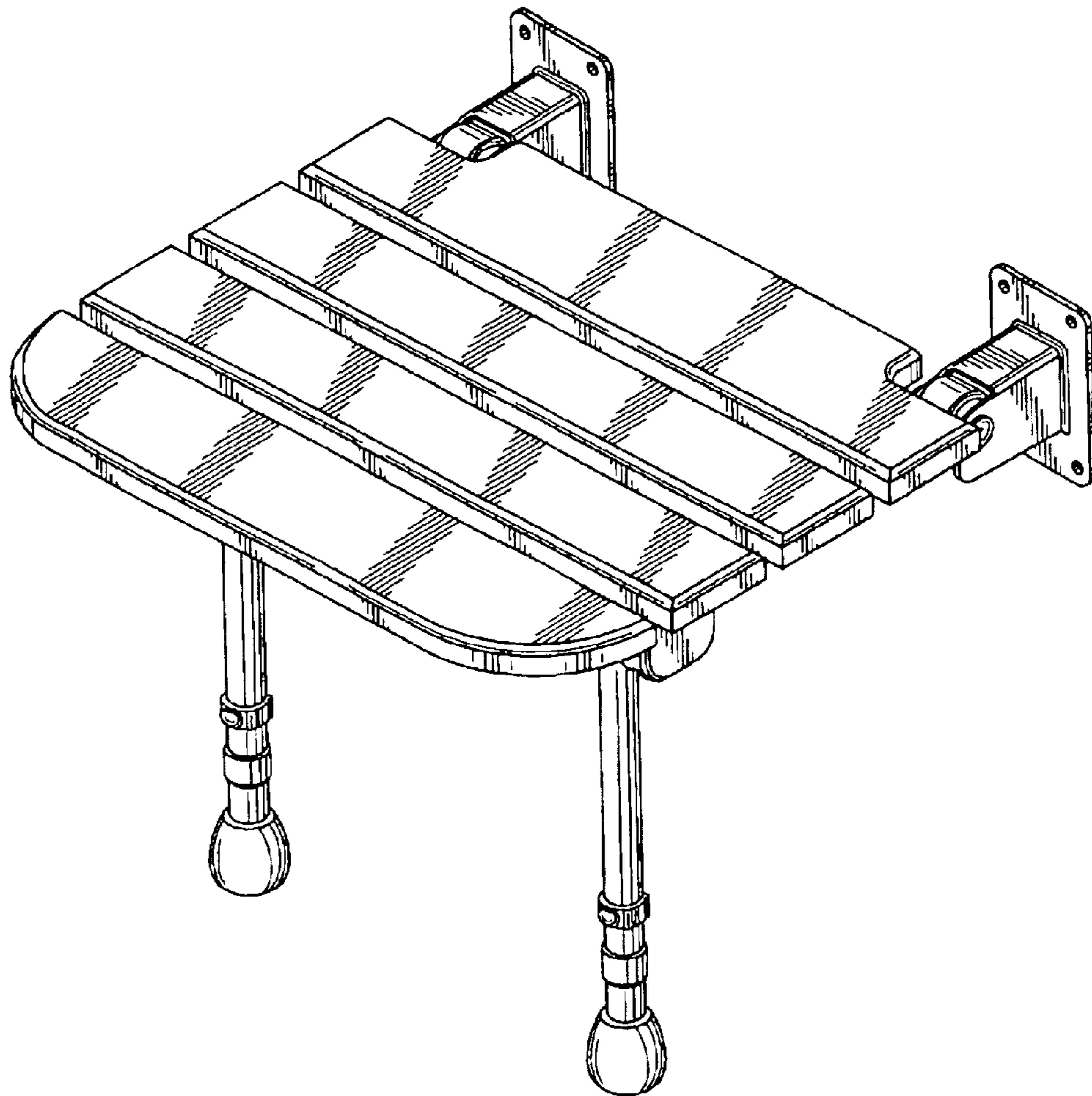


FIG. 1

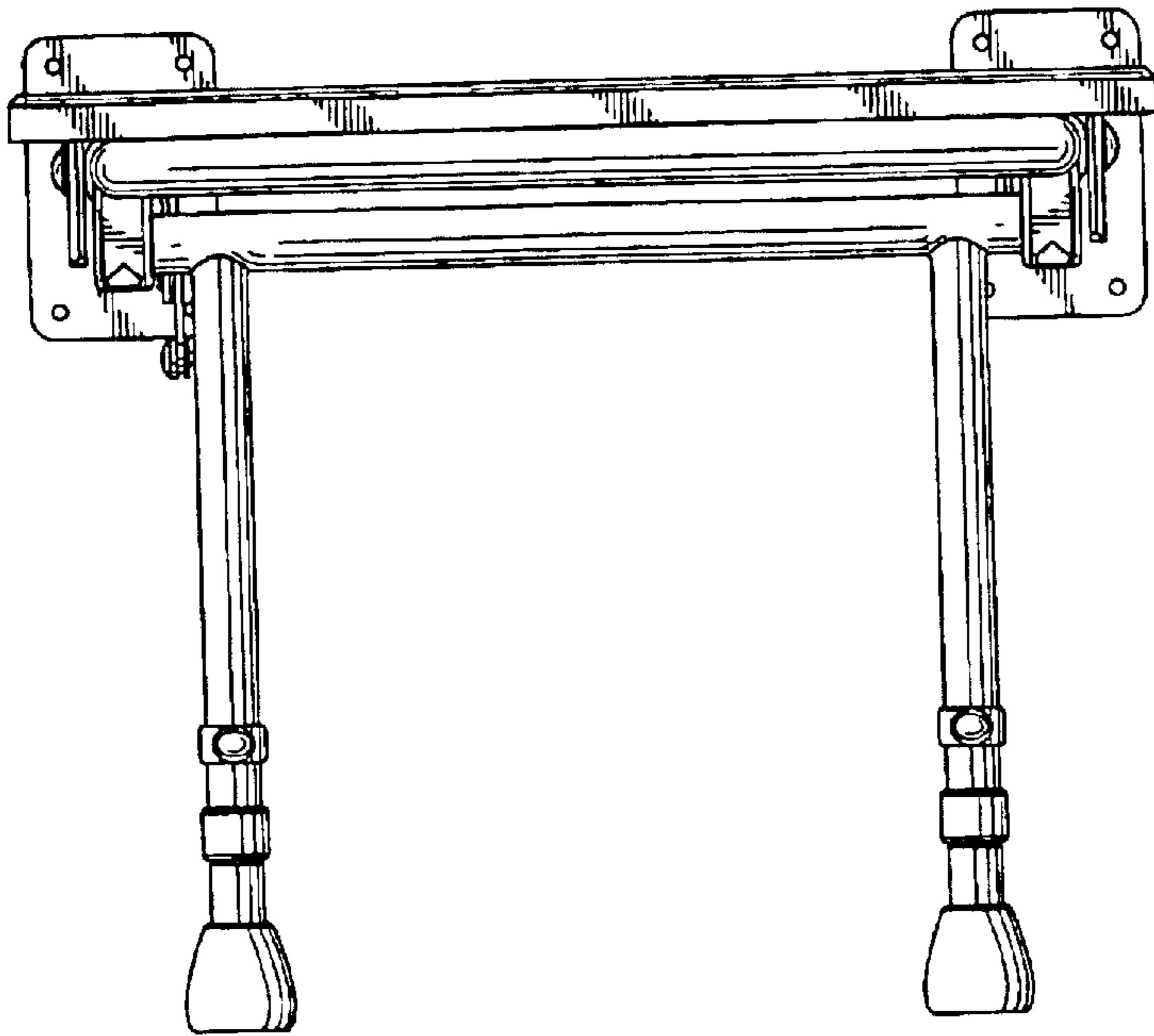


FIG. 2

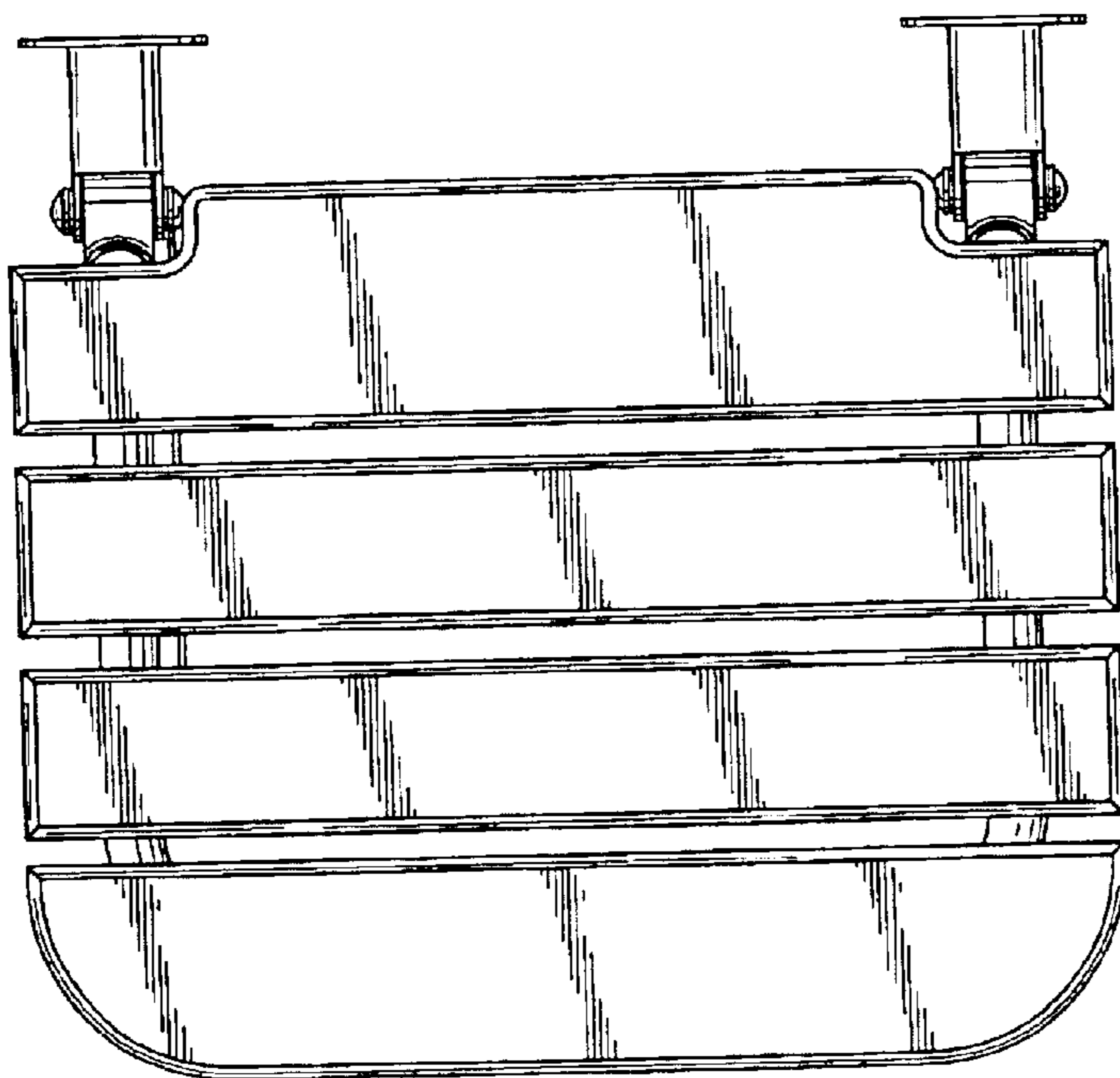


FIG. 6

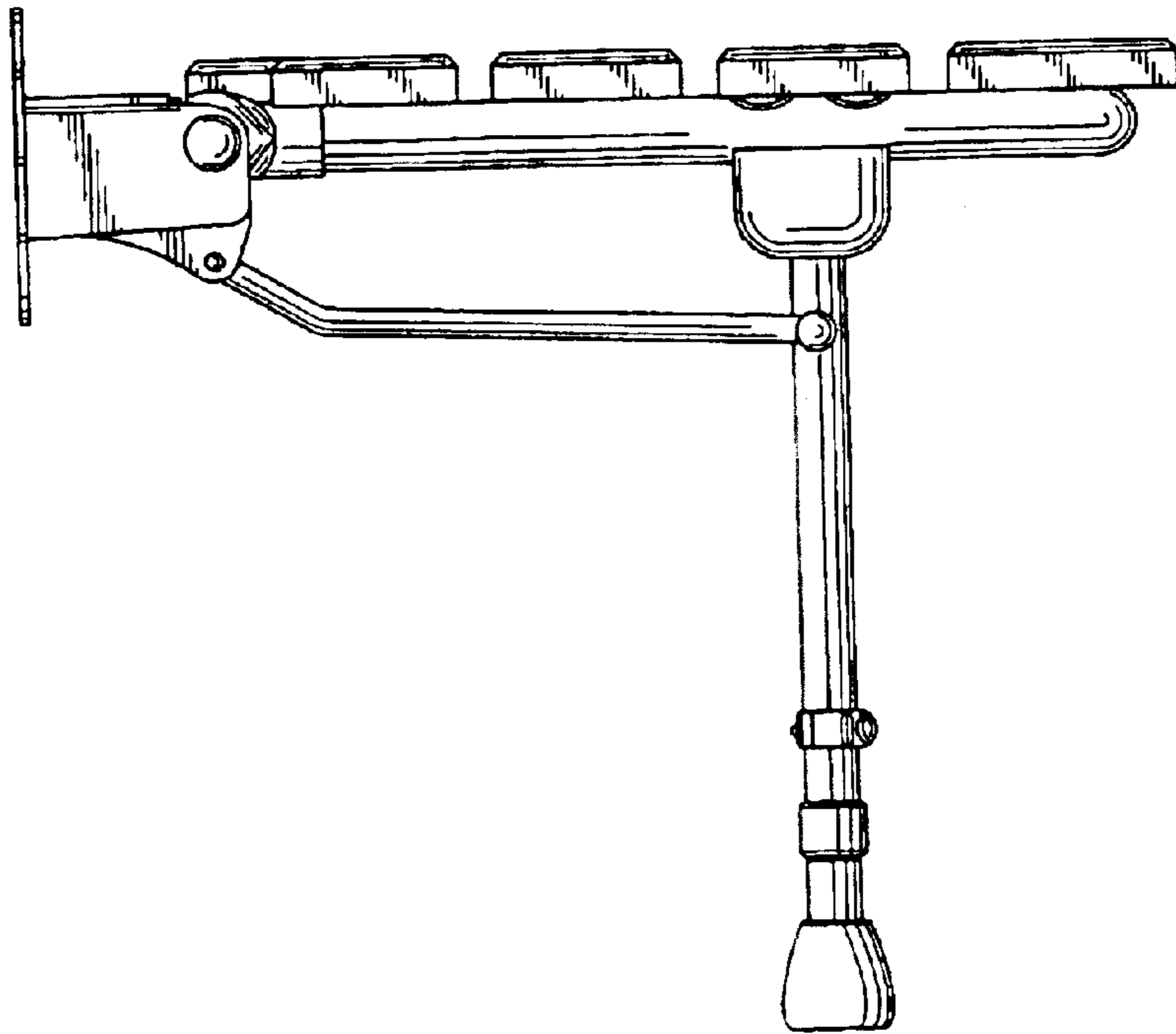


FIG. 3

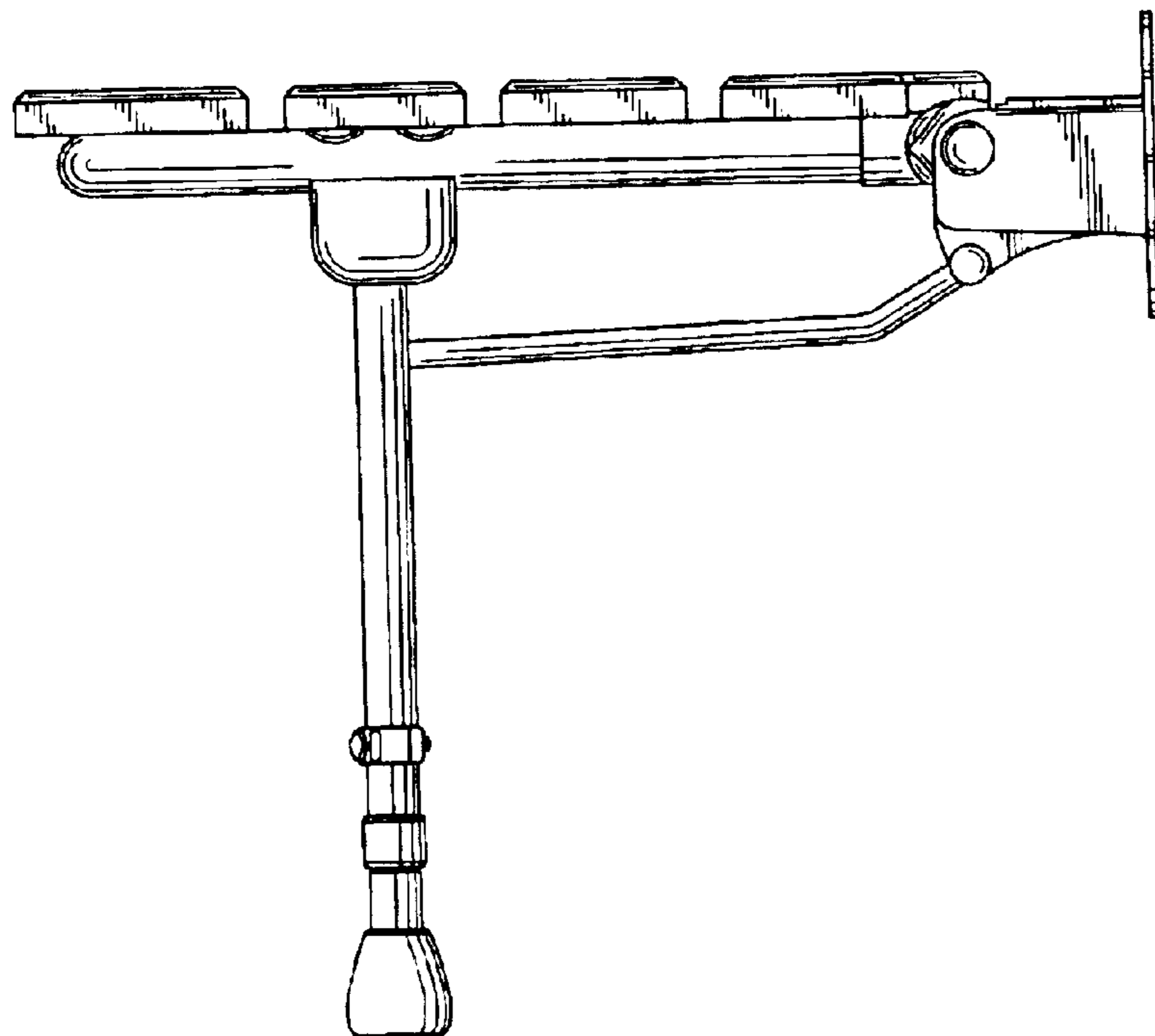


FIG. 4

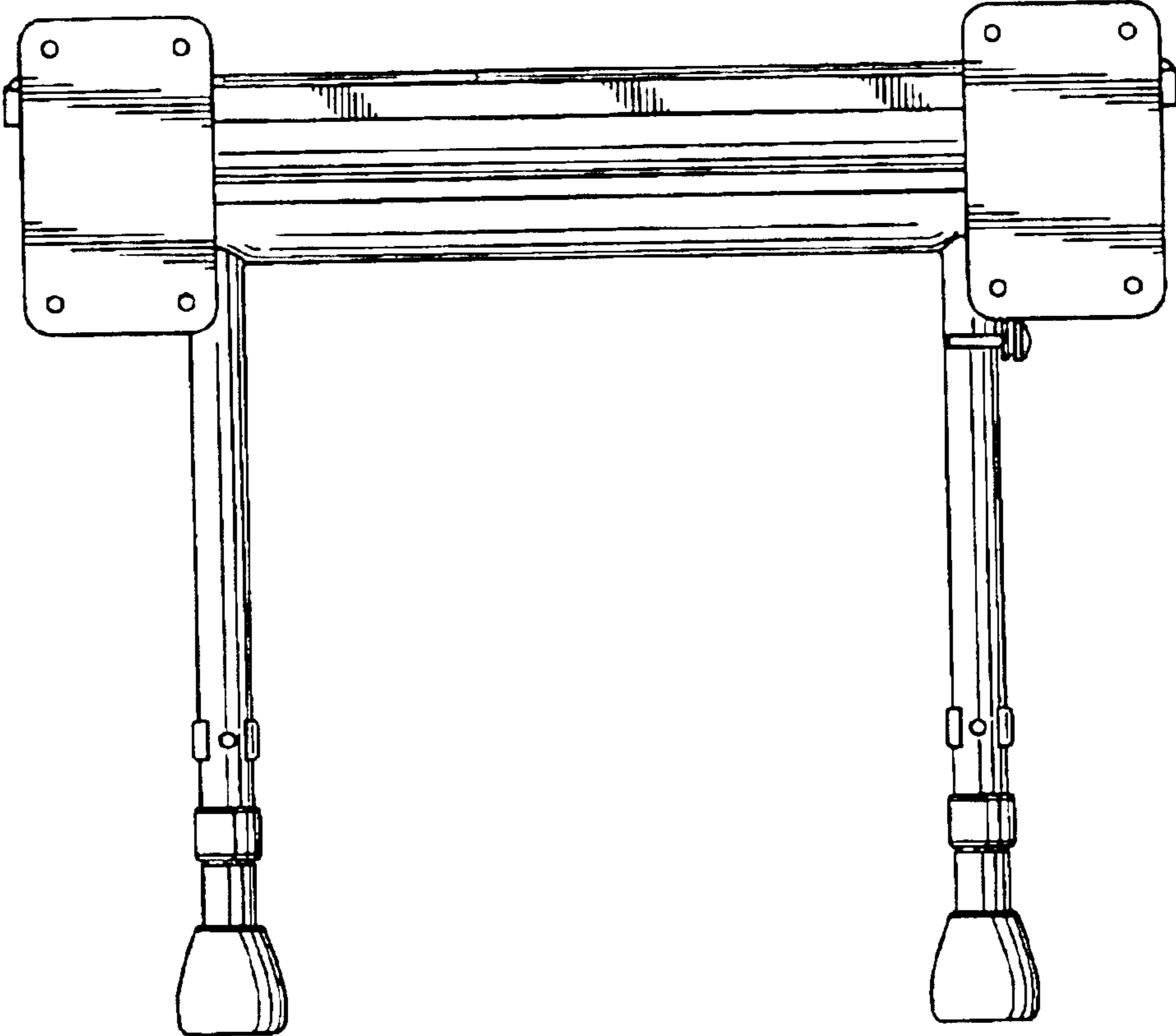


FIG. 5