

US00D495505S1

(12) **United States Design Patent**
Hanagan

(10) **Patent No.:** **US D495,505 S**
(45) **Date of Patent:** **** Sep. 7, 2004**

(54) **COUCH**

(75) **Inventor:** **Michael W. Hanagan**, Hollister, CA
(US)

(73) **Assignee:** **Corbin Pacific, Inc.**, Hollister, CA
(US)

(**) **Term:** **14 Years**

(21) **Appl. No.:** **29/177,997**

(22) **Filed:** **Mar. 19, 2003**

(51) **LOC (7) Cl.** **06-01**

(52) **U.S. Cl.** **D6/358; D6/356; D6/381**

(58) **Field of Search** **D6/334, 335, 336,**
D6/356, 364, 370, 371, 373, 379, 380,
381, 500, 501, 502, 358; 5/12.1; 297/232

(56) **References Cited**

U.S. PATENT DOCUMENTS

D218,028 S * 7/1970 Lohr D6/356
3,632,157 A * 1/1972 Lohr 297/232

D234,555 S * 3/1975 Barecki D6/380
D249,102 S * 8/1978 Pelly D6/334
D358,262 S * 5/1995 Smoczynski D6/356
D446,952 S * 8/2001 Hanagan D6/358
D447,641 S * 9/2001 Hanagan D6/358
D461,967 S * 8/2002 Hanagan D6/358

* cited by examiner

Primary Examiner—James Gandy
Assistant Examiner—Elizabeth Albert

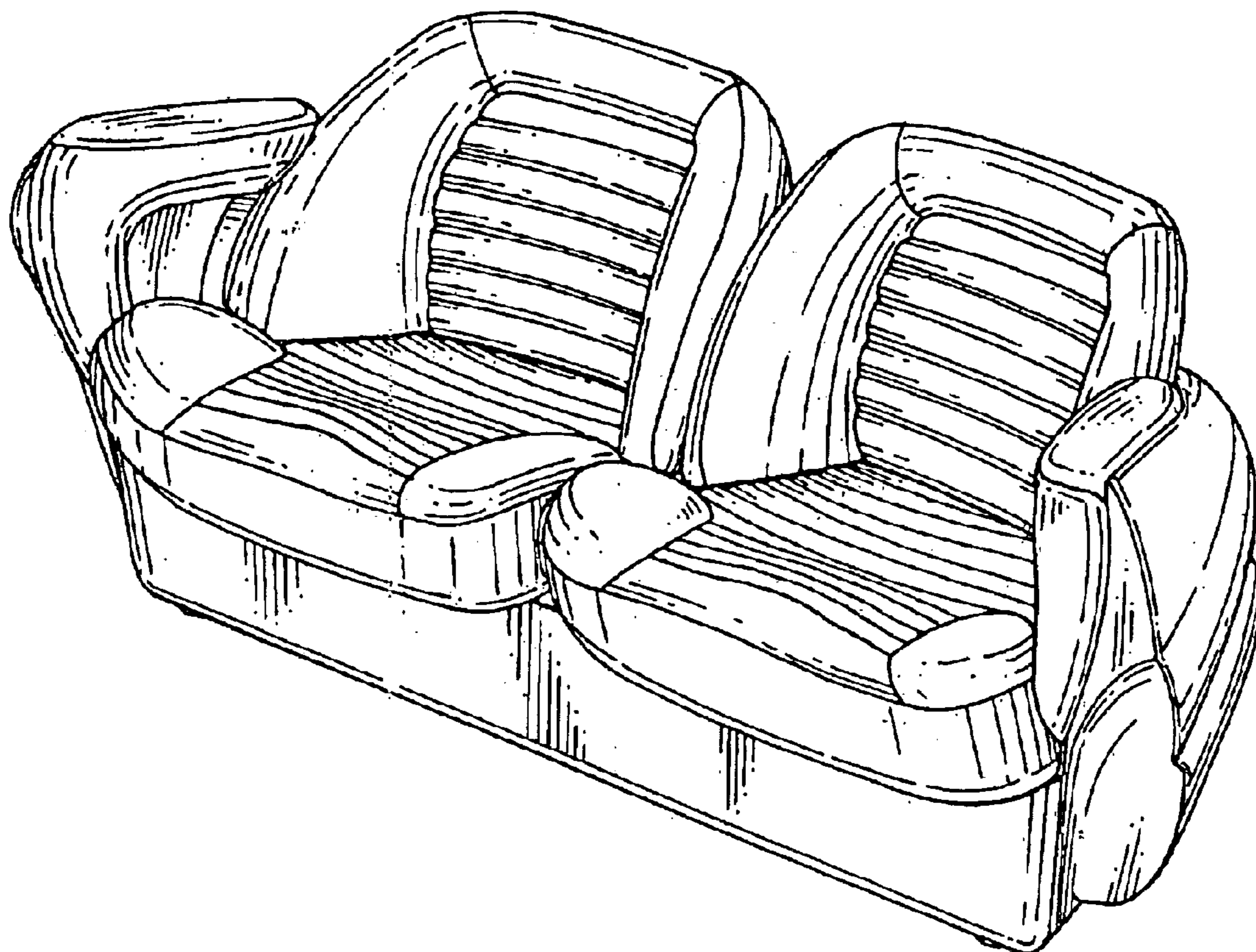
(57) **CLAIM**

The ornamental design for a couch, as shown and described.

DESCRIPTION

FIG. 1 is a front elevational view showing a couch embodying my new design;
FIG. 2 is a rear elevational view thereof;
FIG. 3 is a left side elevational view thereof, the opposite side being a mirror image; and,
FIG. 4 is a perspective view thereof.

1 Claim, 4 Drawing Sheets



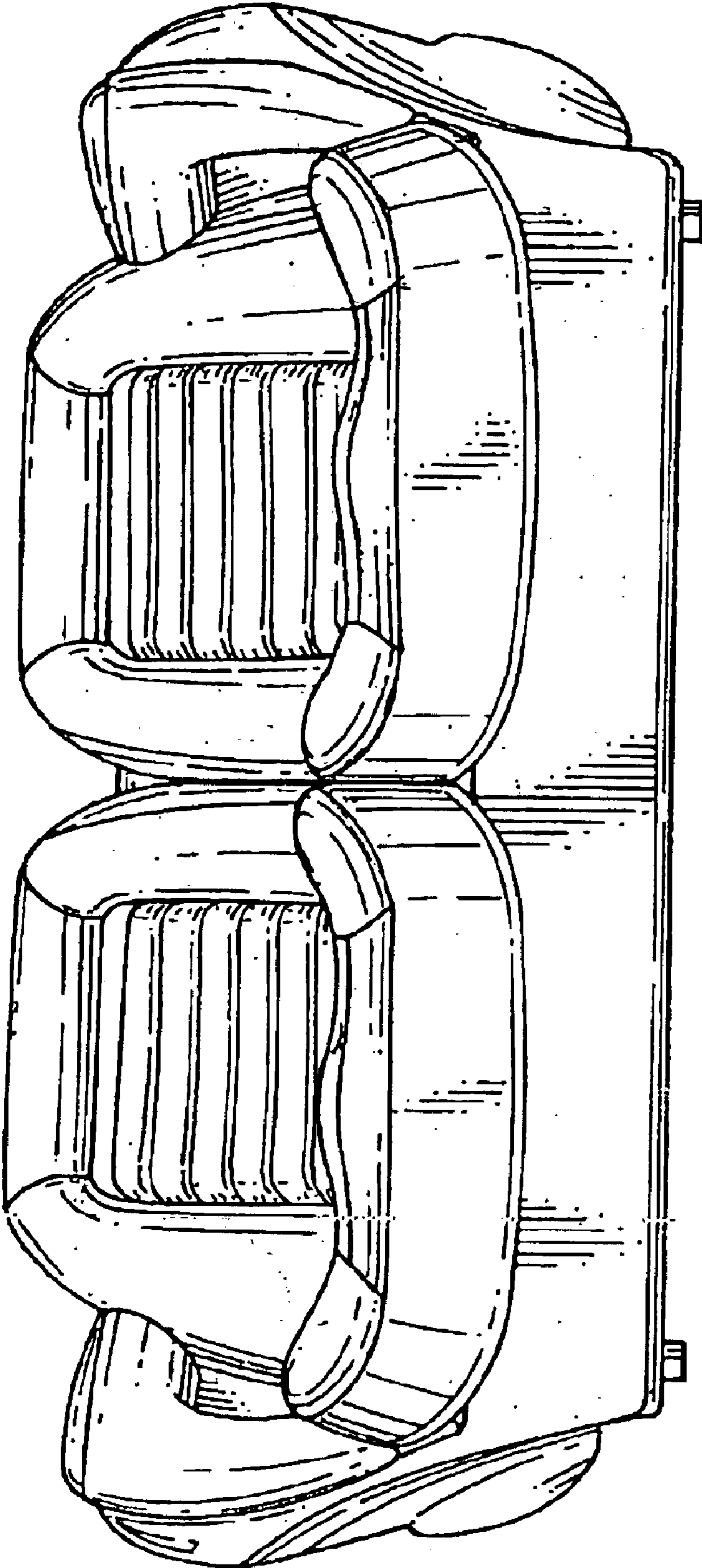


FIG. 1

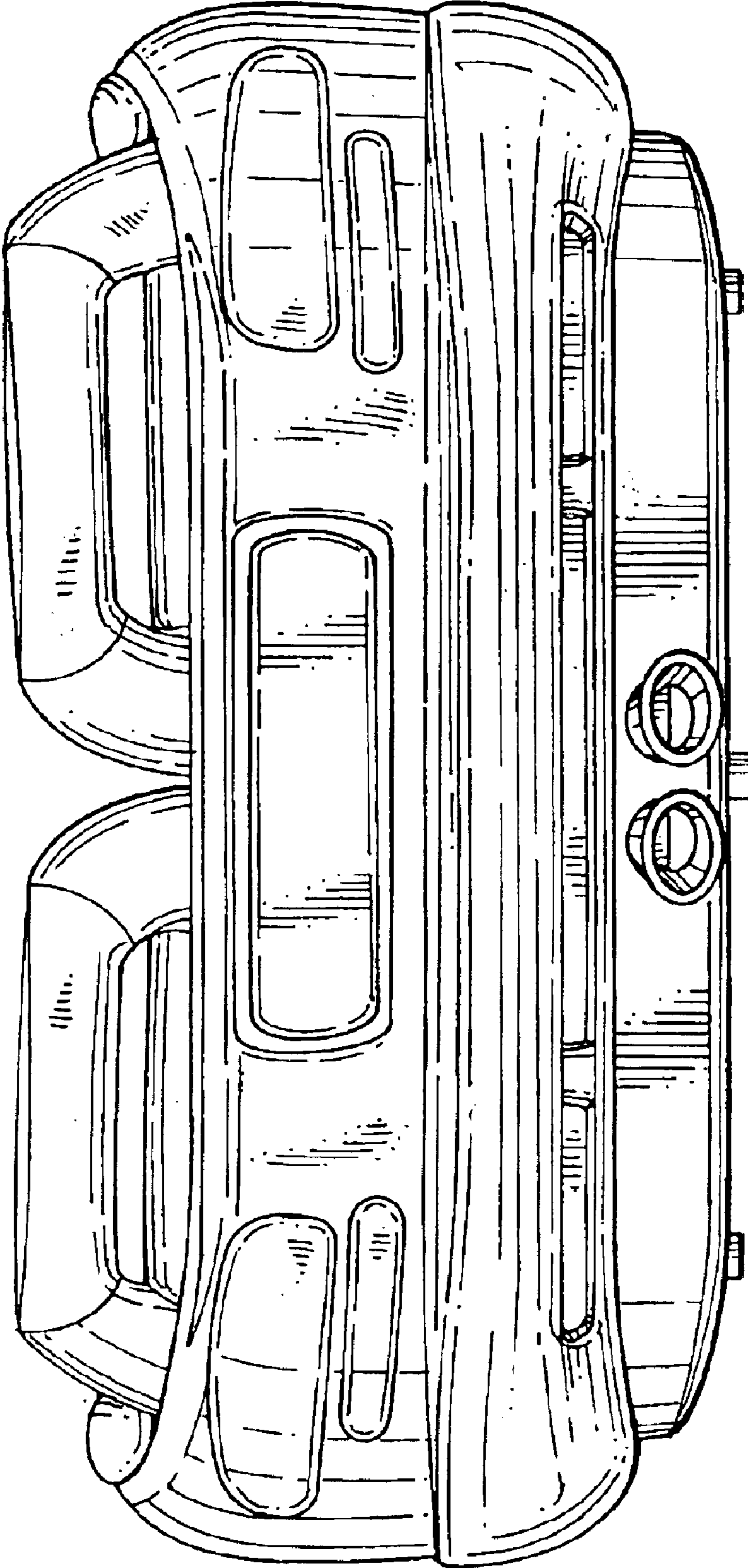


FIG. 2

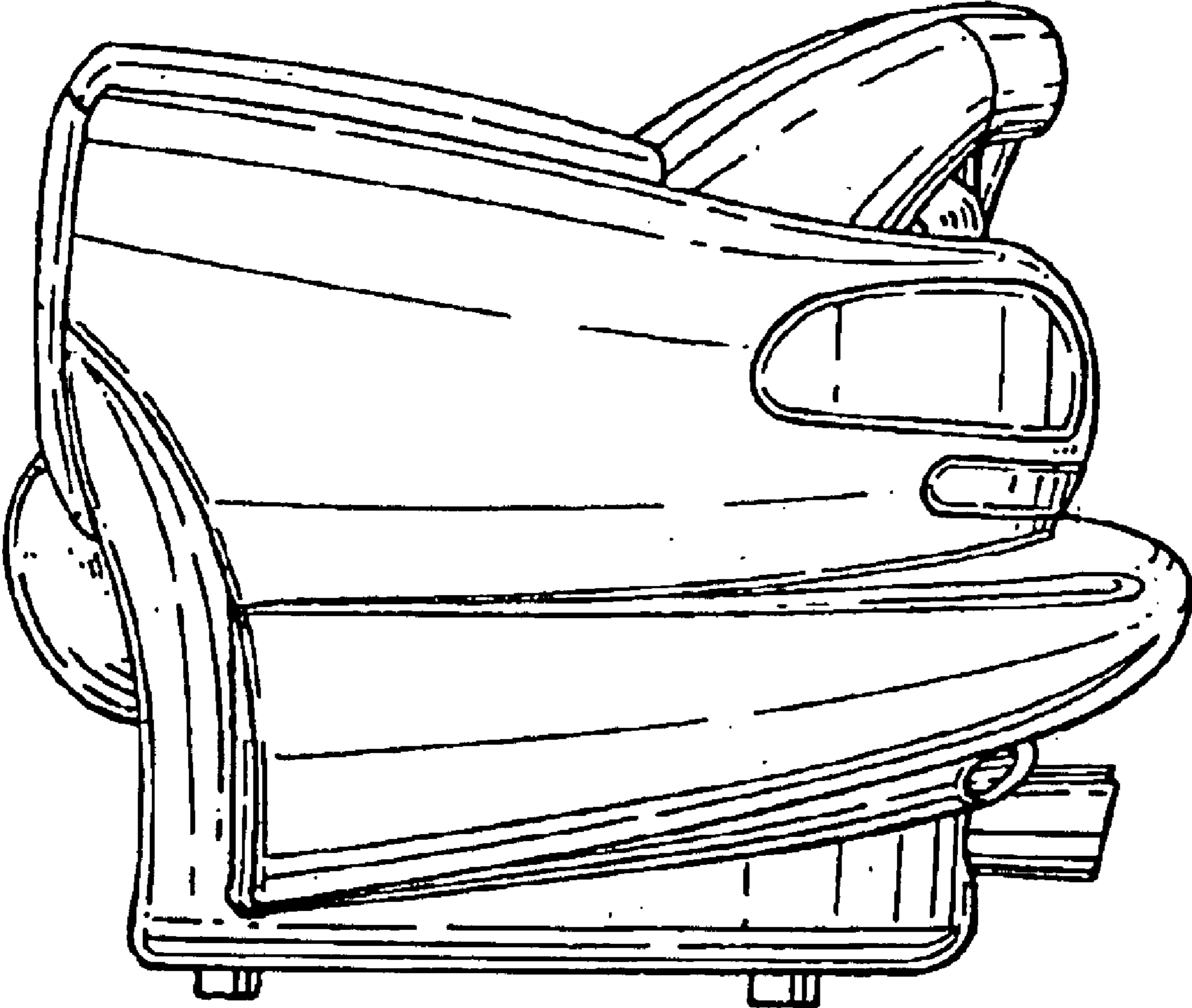


FIG. 3

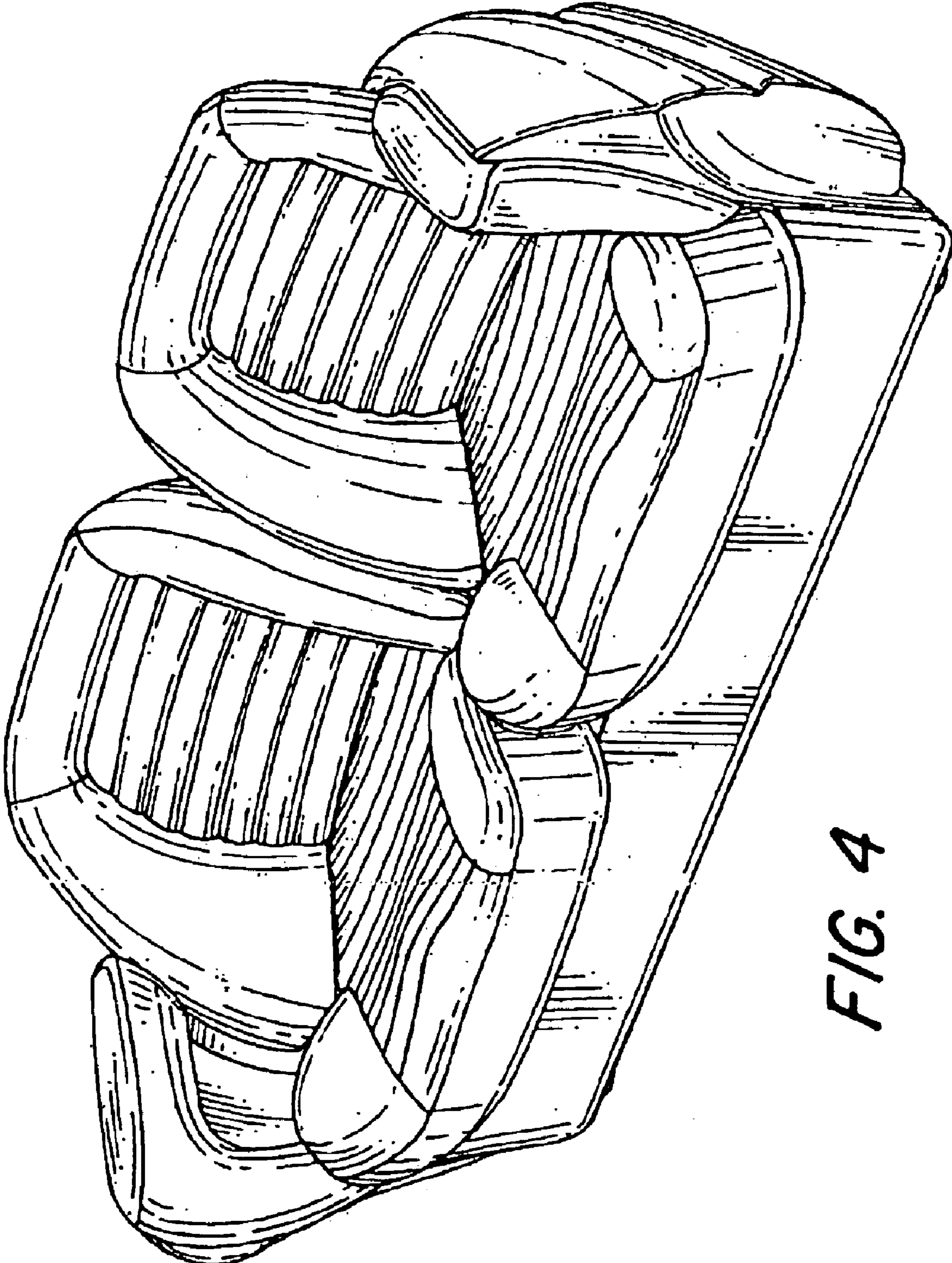


FIG. 4