

US00D495504S1

(12) **United States Design Patent**
Sorkin

(10) **Patent No.:** **US D495,504 S**

(45) **Date of Patent:** **** *Sep. 7, 2004**

(54) **FLAT FOOT CHAIR**

(76) **Inventor:** **Felix L. Sorkin**, 13022 Trinity Dr.,
Stafford, TX (US) 77477

(*) **Notice:** This patent is subject to a terminal disclaimer.

(**) **Term:** **14 Years**

(21) **Appl. No.:** **29/186,922**

(22) **Filed:** **Jul. 25, 2003**

(51) **LOC (7) Cl.** **06-01**

(52) **U.S. Cl.** **D6/349**

(58) **Field of Search** D6/334, 335, 349,
D6/350, 352, 355, 495, 500-502; 297/175,
461, 462, 423.39, 423.41; 248/188, 188.1,
188.8; 108/153.1, 156, 157

(56) **References Cited**

U.S. PATENT DOCUMENTS

3,520,506 A * 7/1970 Zahuranec et al. 248/188

D279,731 S * 7/1985 Ferdinand et al. D6/352
D464,817 S * 10/2002 Lopez D6/349
D472,396 S * 4/2003 de Blois D6/349

* cited by examiner

Primary Examiner—Mimosa De
(74) *Attorney, Agent, or Firm*—Harrison & Egbert

(57) **CLAIM**

I claim the ornamental design for a flat foot chair, as shown and as described.

DESCRIPTION

FIG. 1 is a top perspective view of the flat foot chair showing my design.

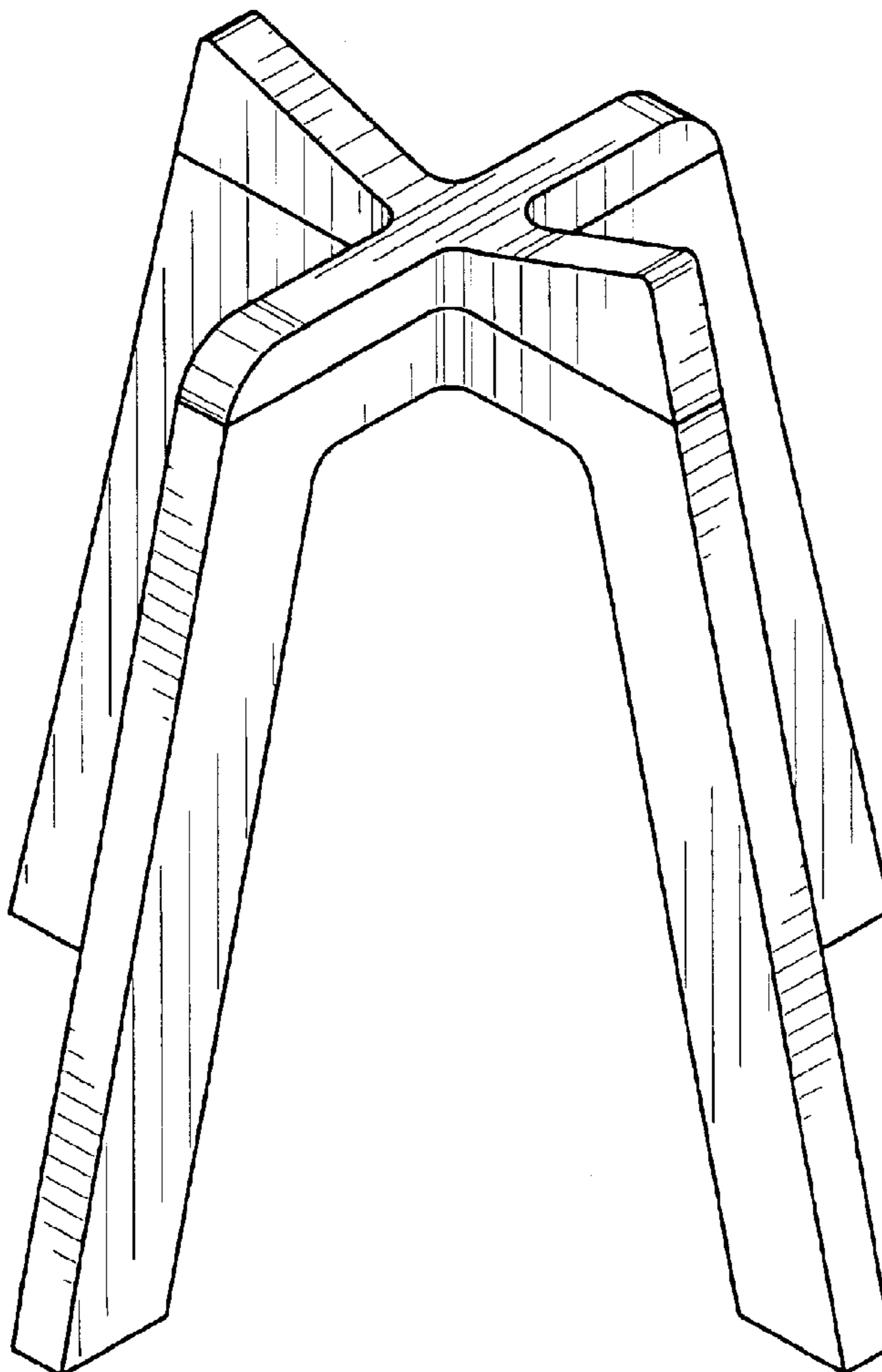
FIG. 2 is front view thereof, wherein a back view is a mirror image thereof;

FIG. 3 is a side view thereof, wherein an opposite side view is a mirror image thereof;

FIG. 4 is a top view thereof; and,

FIG. 5 is a bottom view thereof.

1 Claim, 2 Drawing Sheets



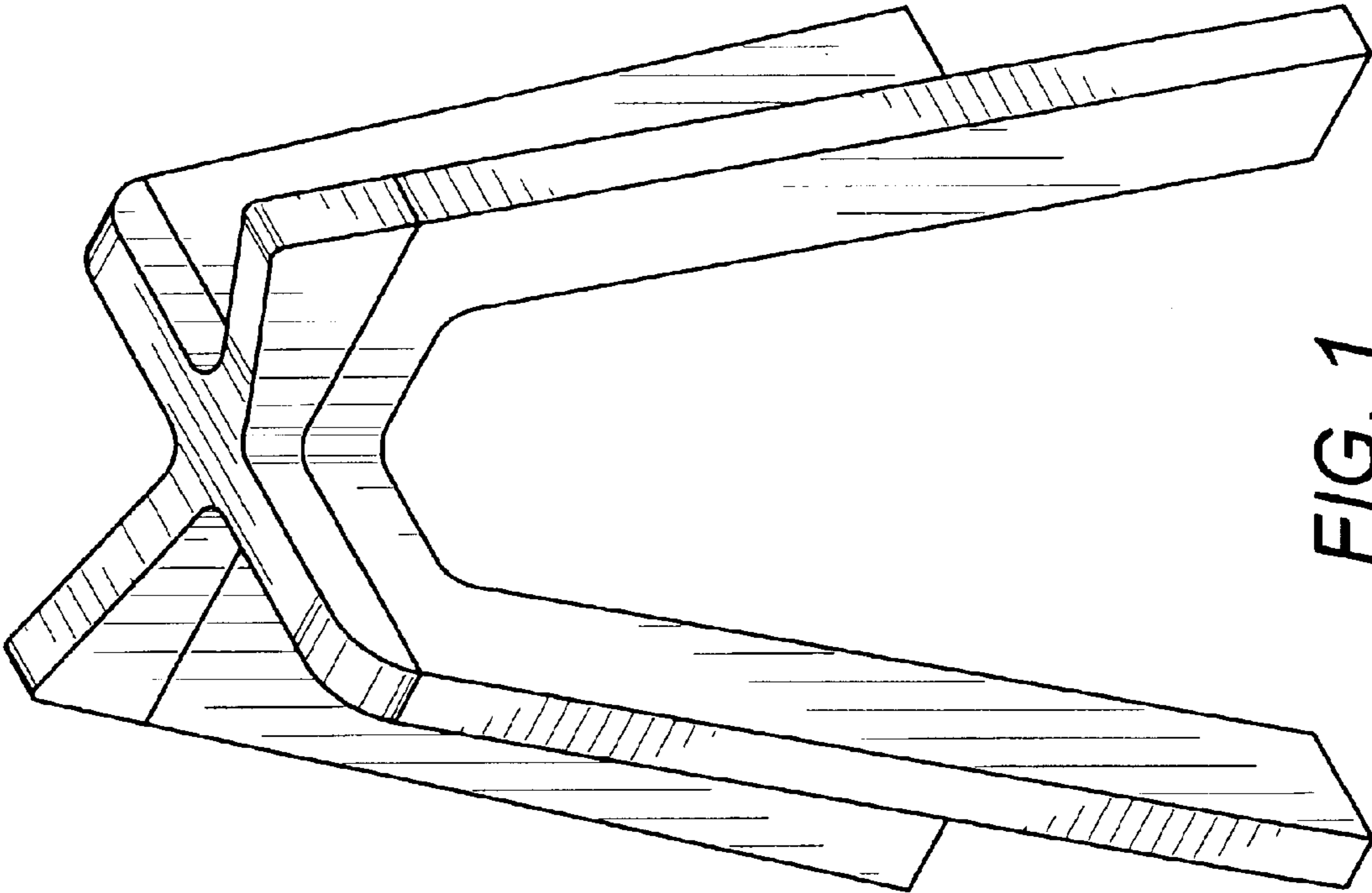


FIG. 1

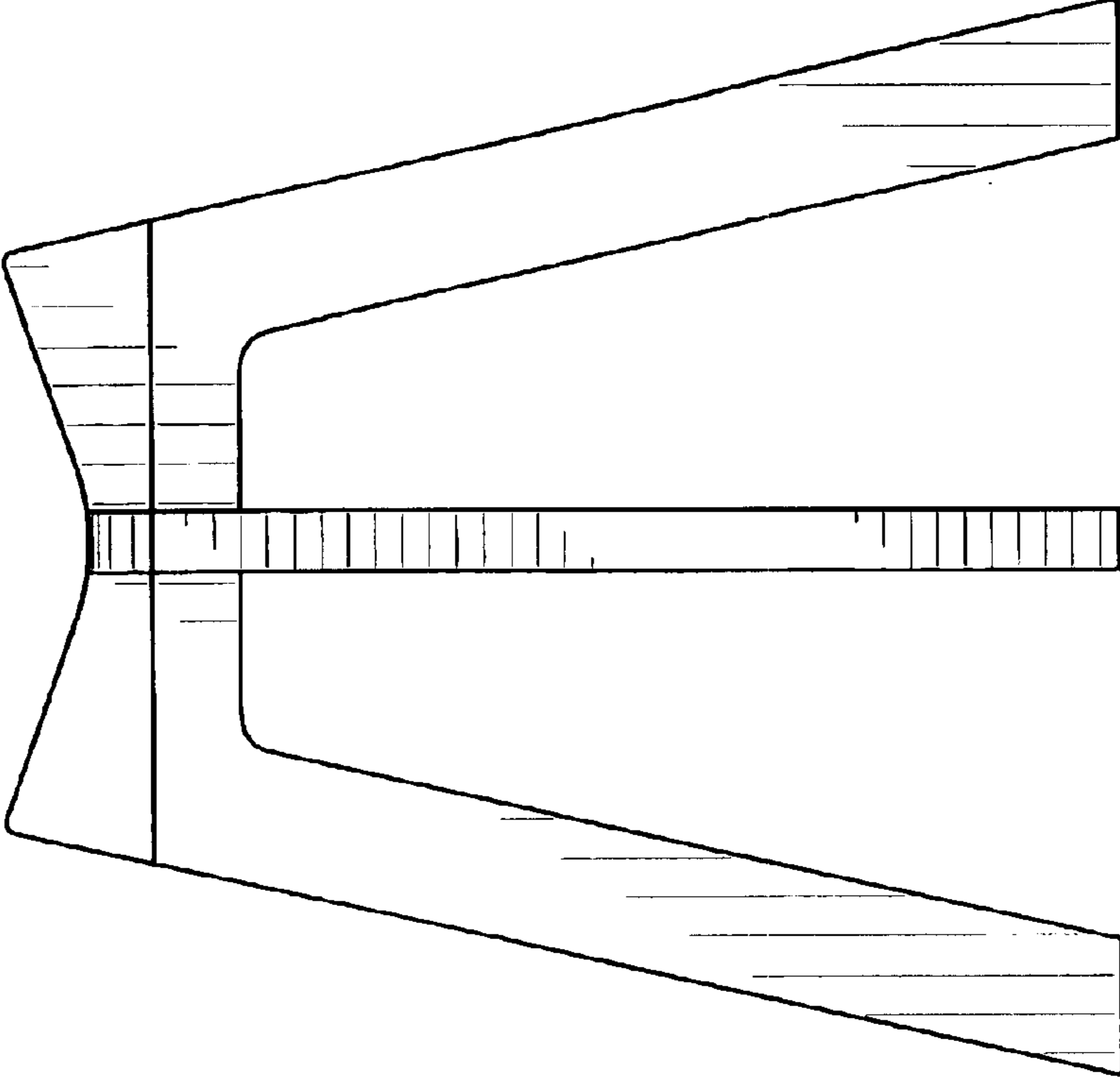


FIG. 2

