



US00D495492S1

(12) **United States Design Patent** (10) Patent No.: **US D495,492 S**
Chang (45) Date of Patent: **** Sep. 7, 2004**

(54) **HEAD STOCK OF A GOLF BAG**

Primary Examiner—Catherine R. Oliver
(74) *Attorney, Agent, or Firm*—Harrison & Egbert

(76) Inventor: **Ruey-Yang Chang**, No. 2, Hsing Lung
2 Lane Chia Hou Road, Wai Pu Hsiang,
Taichung Hsien (TW)

(57) **CLAIM**

The ornamental design for a head stock of a golf bag, as shown and described.

(**) Term: **14 Years**

DESCRIPTION

(21) Appl. No.: **29/174,935**

FIG. 1 is an upper perspective view of the head stock of a golf bag showing my design.

(22) Filed: **Jan. 29, 2003**

FIG. 2 is a front view thereof;

(51) **LOC (7) Cl.** **03-99**

FIG. 3 is a rear view thereof;

(52) **U.S. Cl.** **D3/320**

FIG. 4 is a side view thereof;

(58) **Field of Search** D3/320, 255, 259;
248/96; 211/70.2; 206/315.2–315.7

FIG. 5 is an opposite side view thereof;

(56) **References Cited**

FIG. 6 is a top view thereof;

U.S. PATENT DOCUMENTS

FIG. 7 is a bottom view thereof; and,

D407,900 S * 4/1999 Baird D3/320

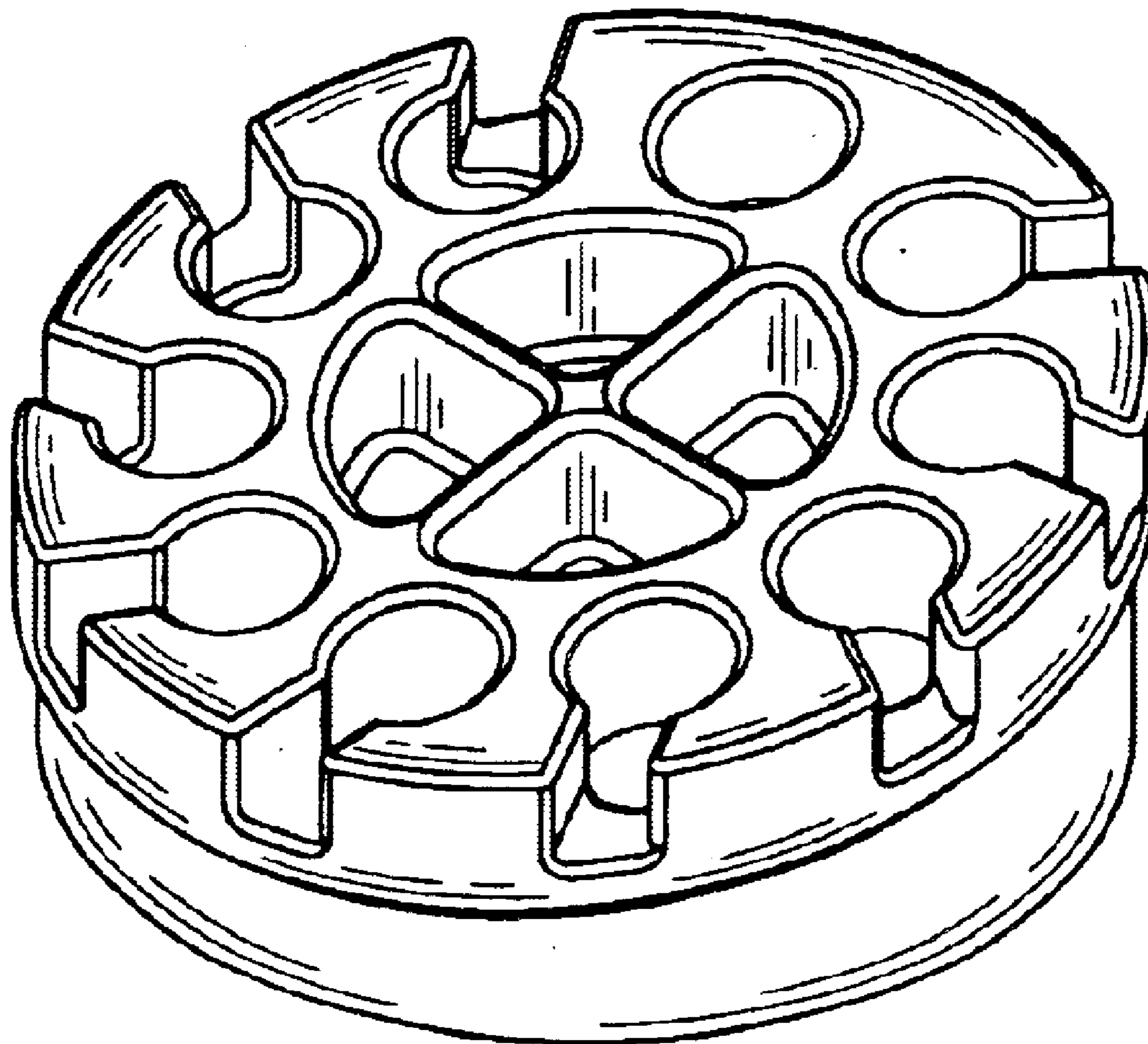
FIG. 8 is cross-sectional view thereof shown along line 8—8 of FIG. 6.

D450,188 S * 11/2001 Maeng D3/320

D454,249 S * 3/2002 Schmidt D3/320

* cited by examiner

1 Claim, 5 Drawing Sheets



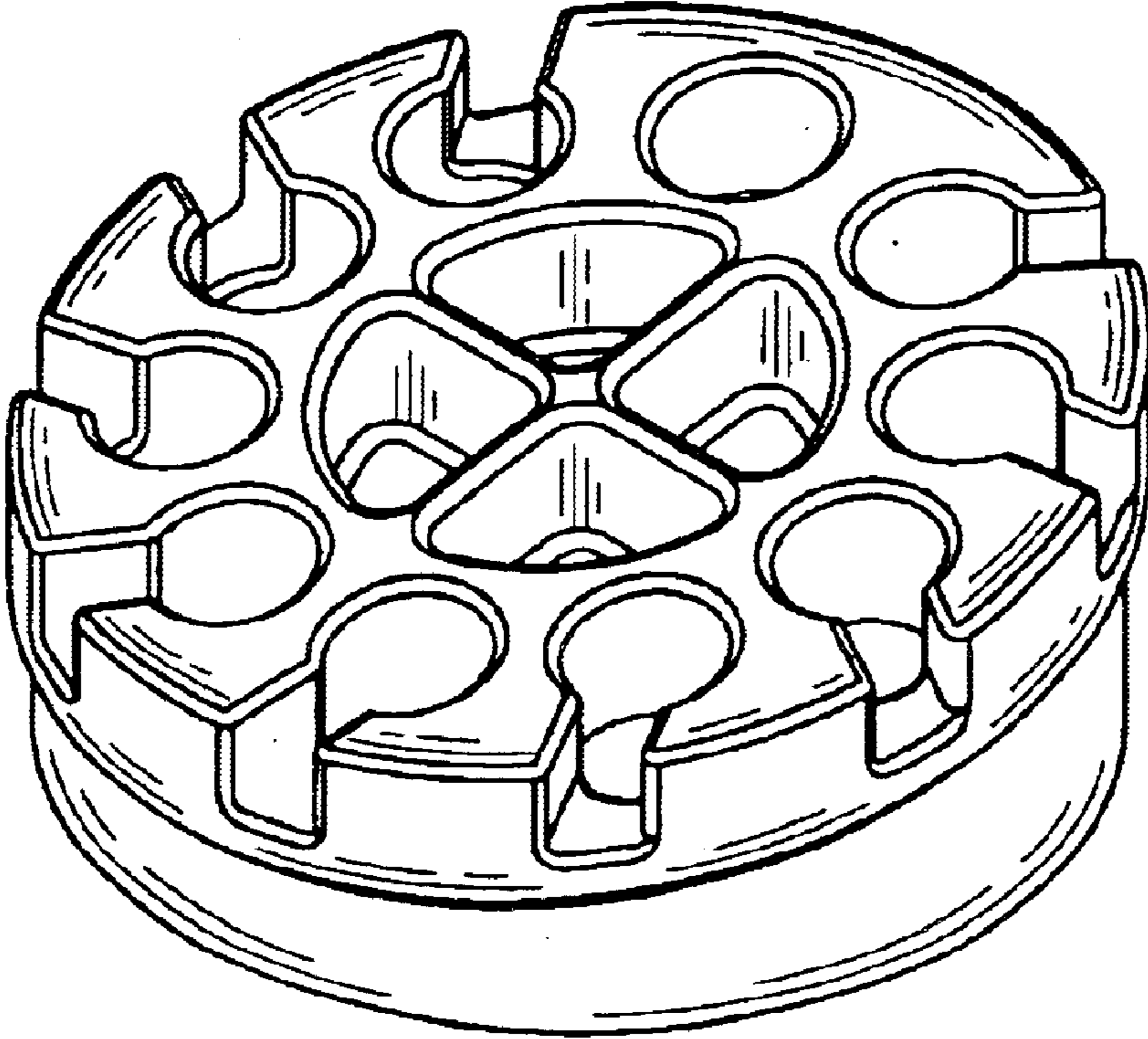


FIG.1

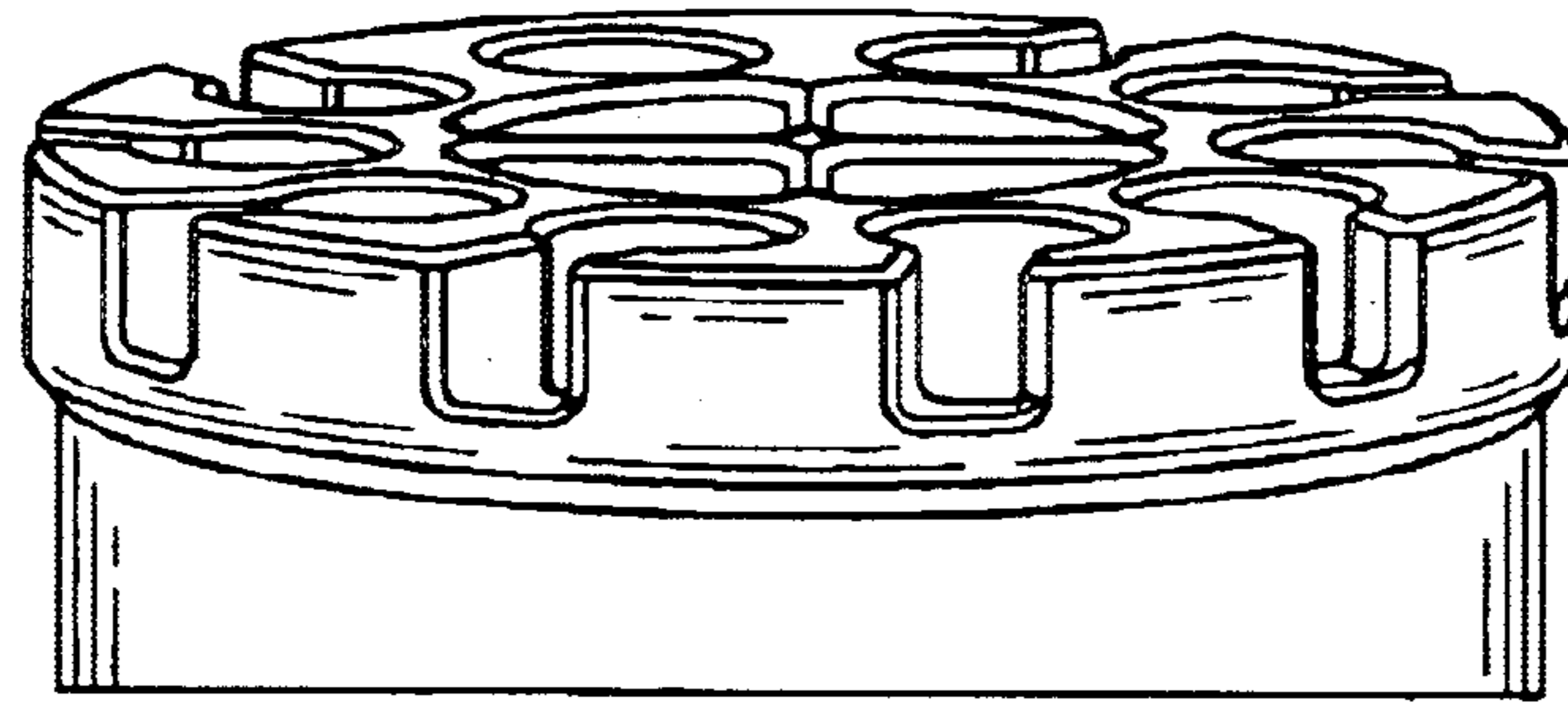


FIG. 2

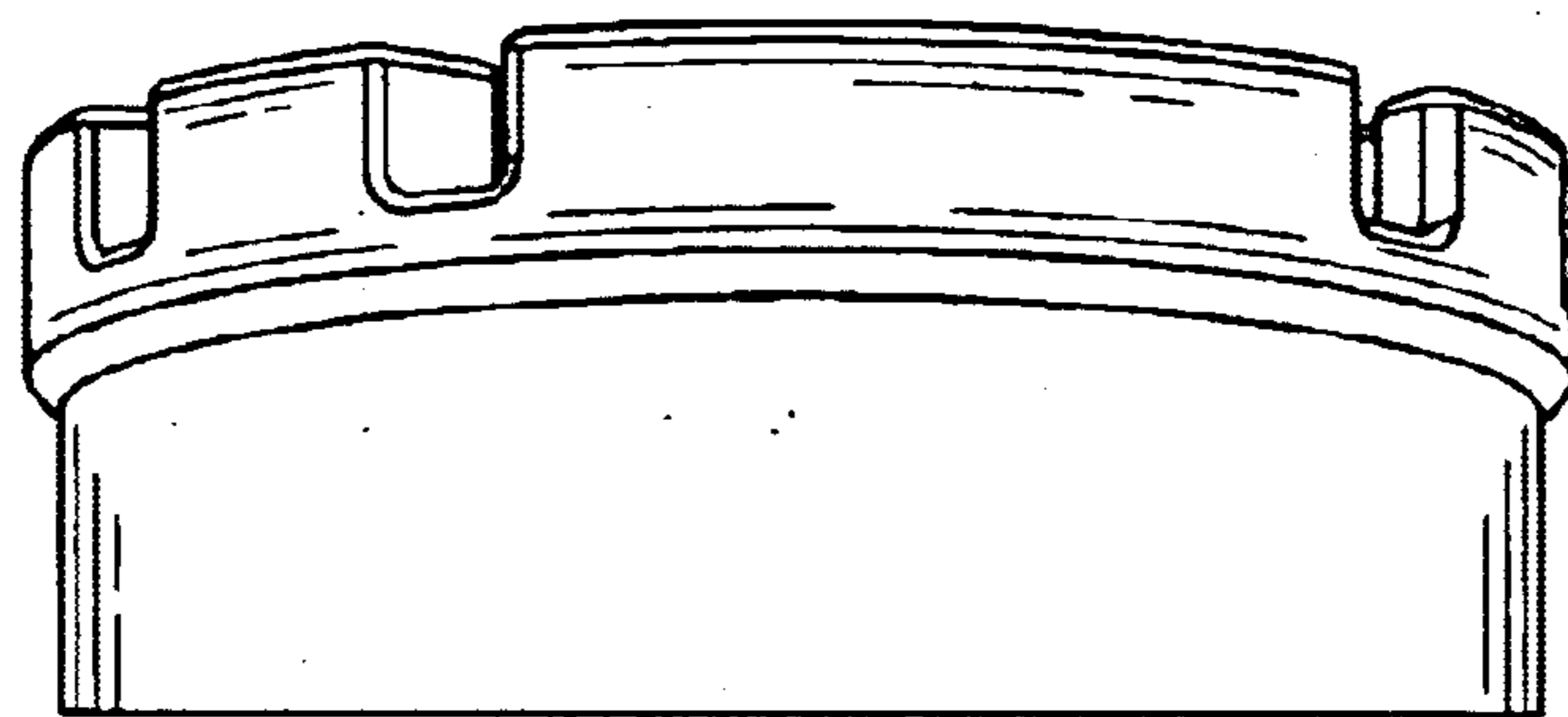


FIG. 3

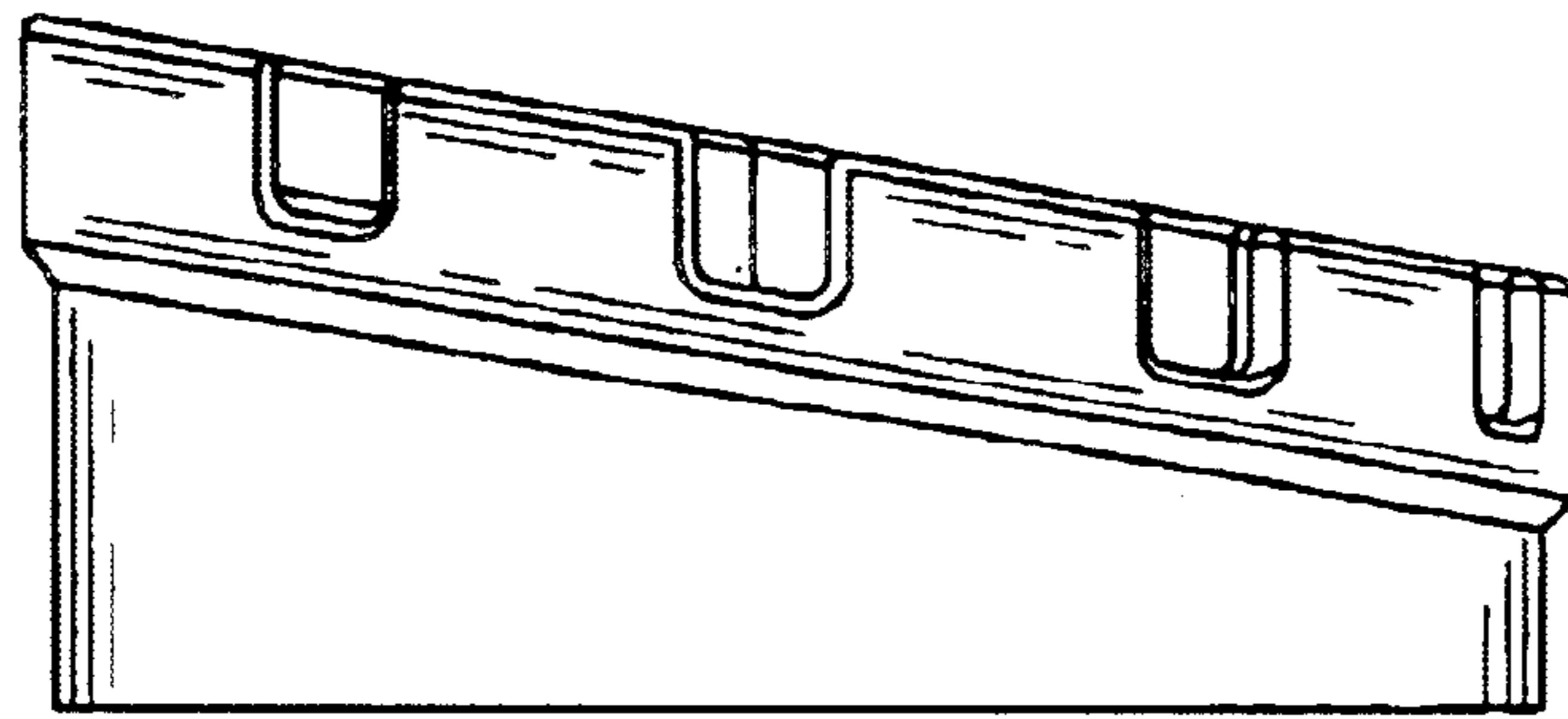


FIG. 4

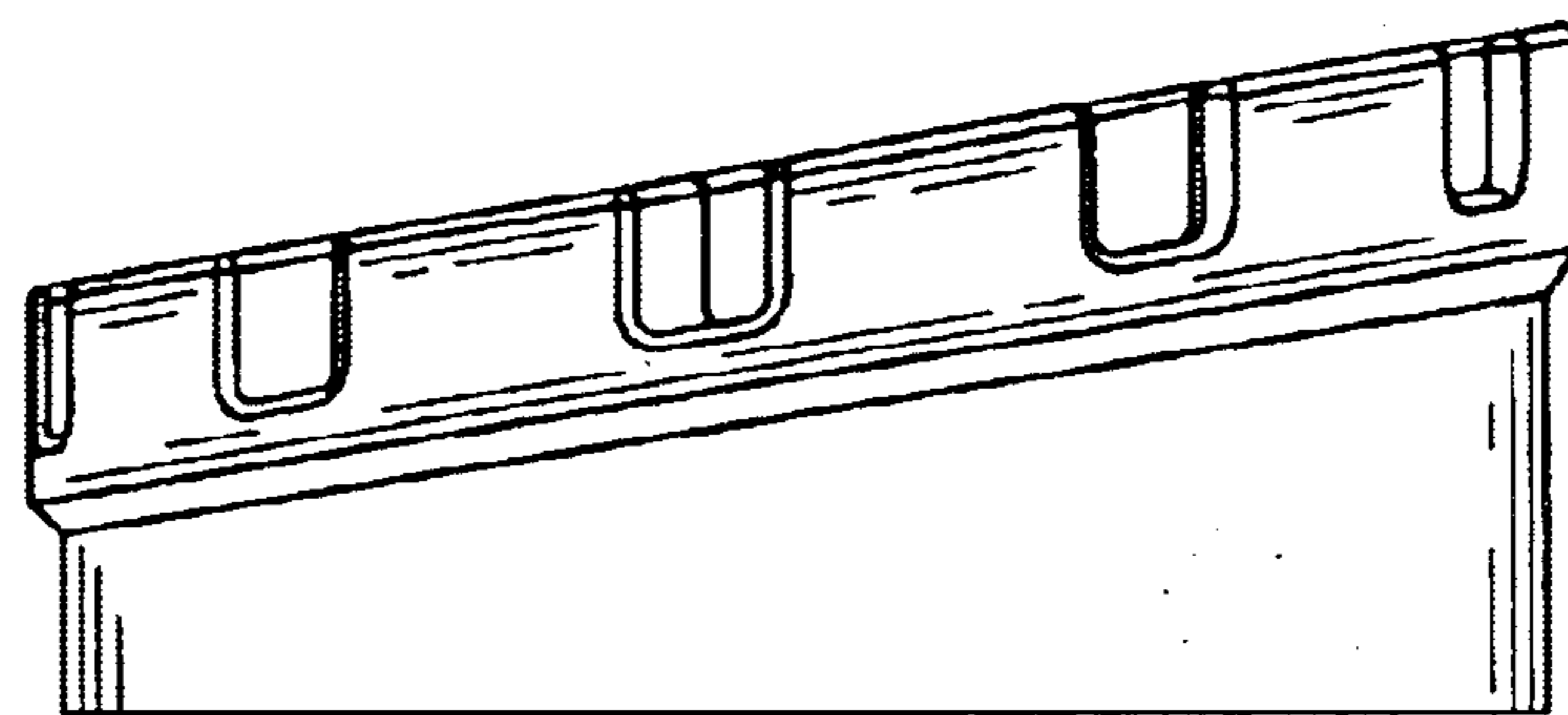


FIG. 5

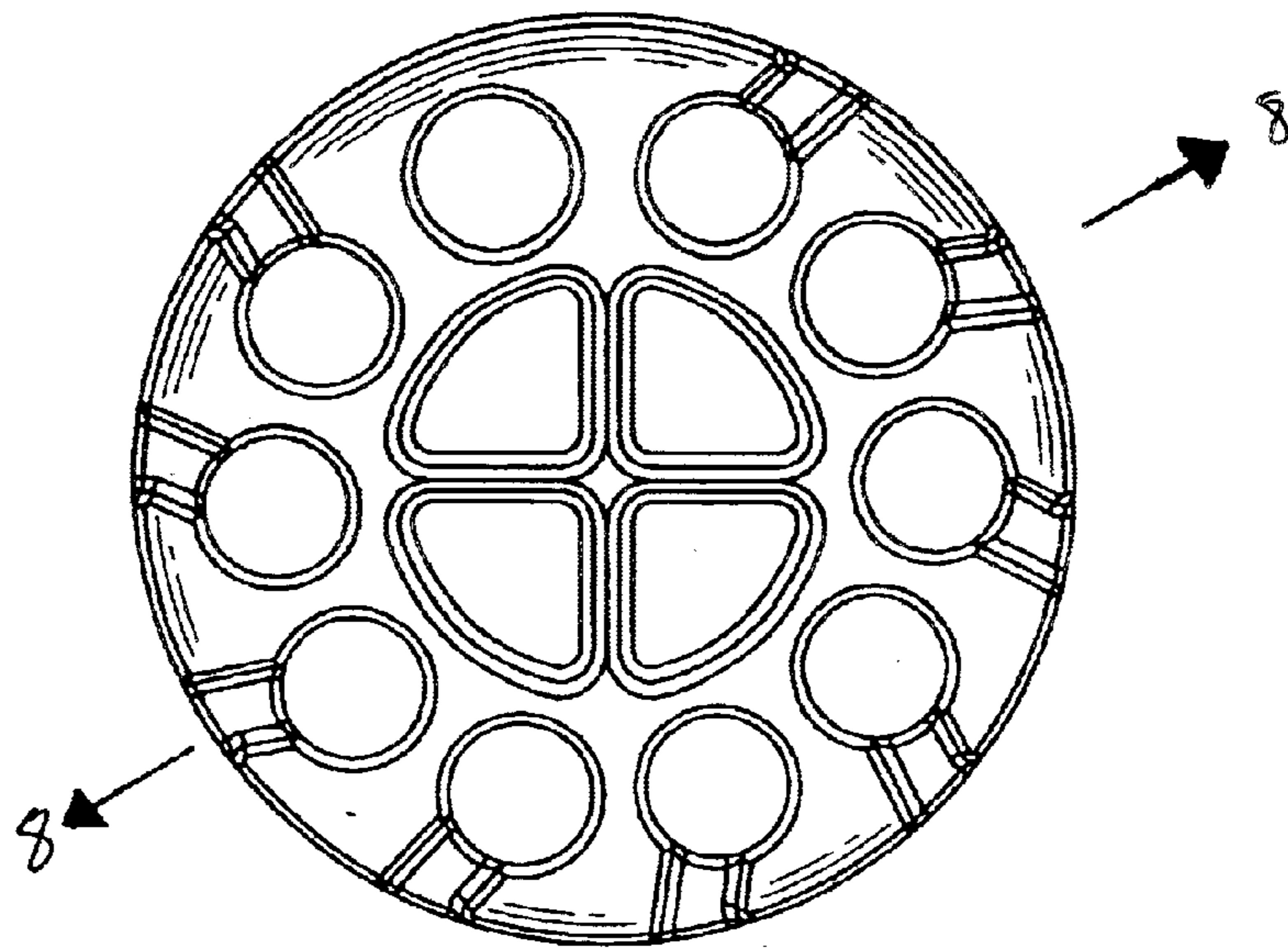


FIG. 6

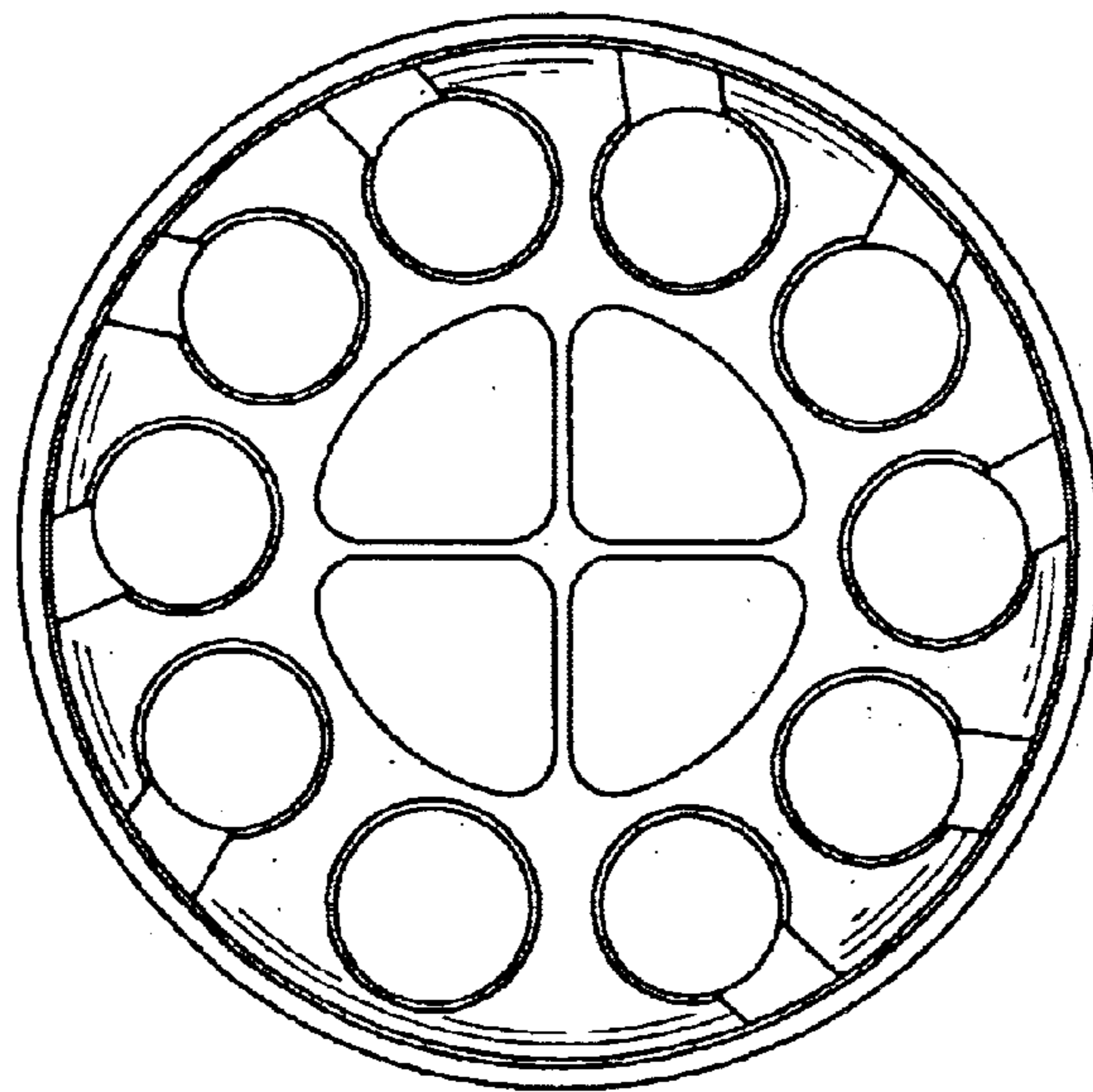


FIG. 7

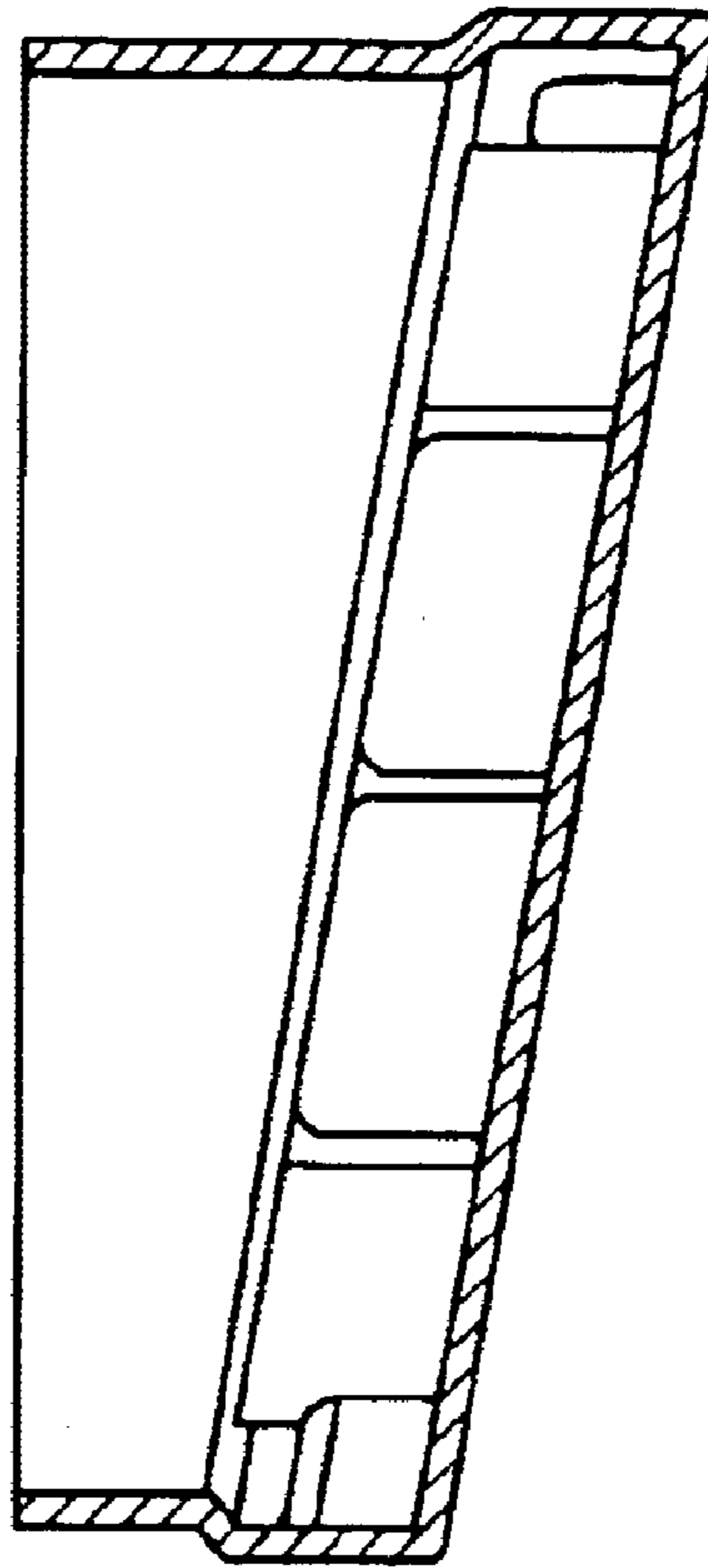


FIG.8