

US00D495491S1

(12) **United States Design Patent**  
**Ramirez et al.**

(10) **Patent No.: US D495,491 S**

(45) **Date of Patent: \*\* Sep. 7, 2004**

(54) **PACKAGING CONTAINER**

(75) Inventors: **Richard L. Ramirez**, Lawrenceville, GA (US); **Mark A. Bergeron**, Lithonia, GA (US)

(73) Assignee: **Tekni-Plex, Inc.**, Somerville, NJ (US)

(\*\*) Term: **14 Years**

(21) Appl. No.: **29/197,150**

(22) Filed: **Jan. 9, 2004**

**Related U.S. Application Data**

(62) Division of application No. 29/166,488, filed on Aug. 28, 2002.

(51) **LOC (7) Cl.** ..... **03-01**

(52) **U.S. Cl.** ..... **D3/304**

(58) **Field of Search** ..... D3/304, 307, 390, D3/312, 901; D7/601, 602, 641, 550.1, 554.3, 554.4; D9/424, 429, 432; 206/503-505, 511, 514, 515, 518, 557; 220/659, 660, 675, 669, DIG. 12, 14

(56) **References Cited**

**U.S. PATENT DOCUMENTS**

D251,480 S \* 4/1979 Cherry ..... D3/314  
D302,774 S \* 8/1989 Murphy ..... D7/629  
5,042,674 A \* 8/1991 Ramsay et al. .... 206/511  
D357,120 S \* 4/1995 Miller ..... D3/312

D360,808 S \* 8/1995 Meier et al. .... D7/554.3  
D363,662 S \* 10/1995 Plater ..... D3/304  
D395,756 S \* 7/1998 Tanji ..... D3/312  
D429,965 S \* 8/2000 Hayes et al. .... D7/602  
D446,719 S \* 8/2001 Garraway ..... D9/425  
D467,128 S \* 12/2002 Thonis et al. .... D7/602  
D469,313 S \* 1/2003 Thonis et al. .... D7/602

\* cited by examiner

*Primary Examiner*—Louis S. Zarfaz

*Assistant Examiner*—Deanne Levy

(74) *Attorney, Agent, or Firm*—Pitney Hardin LLP

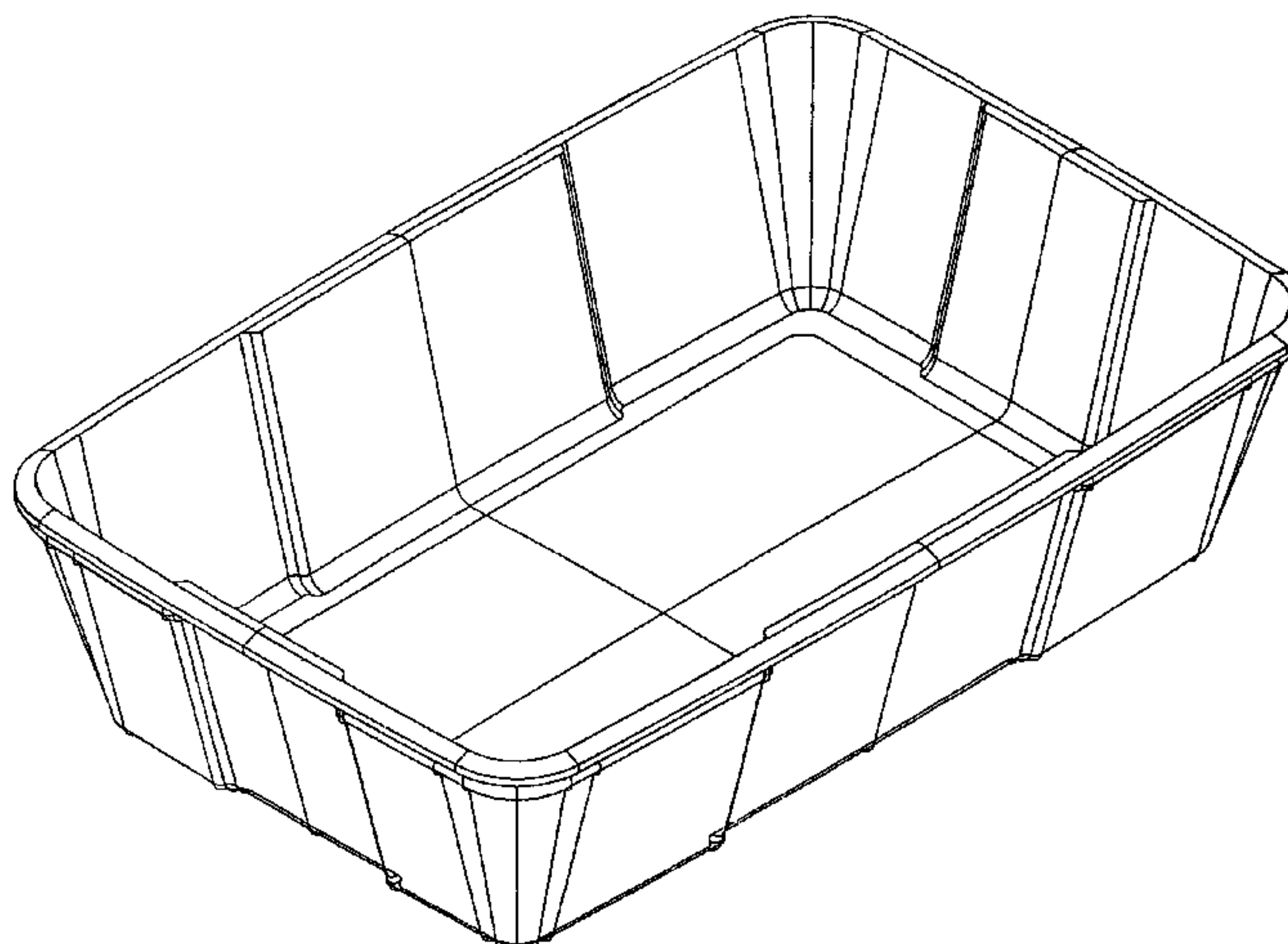
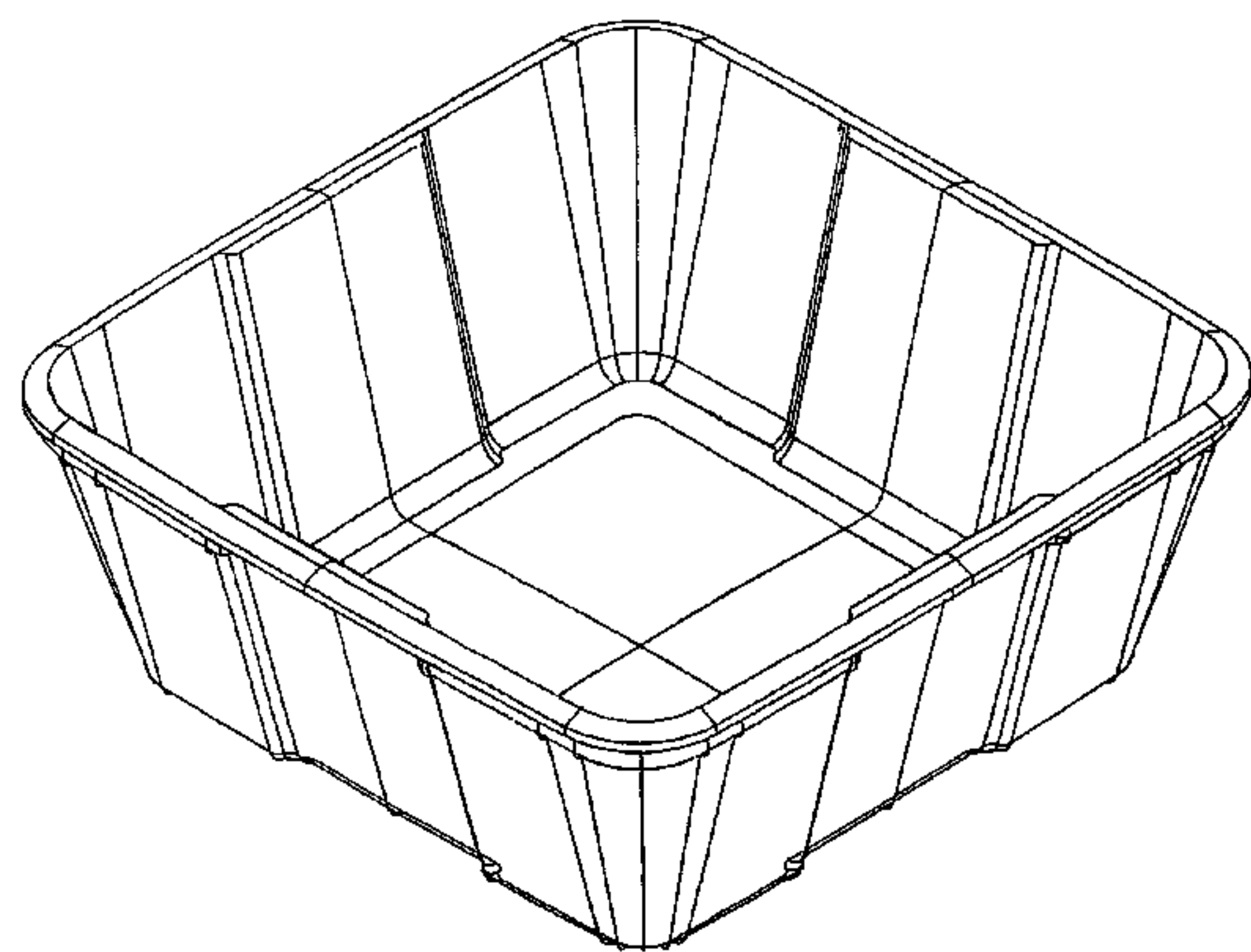
(57) **CLAIM**

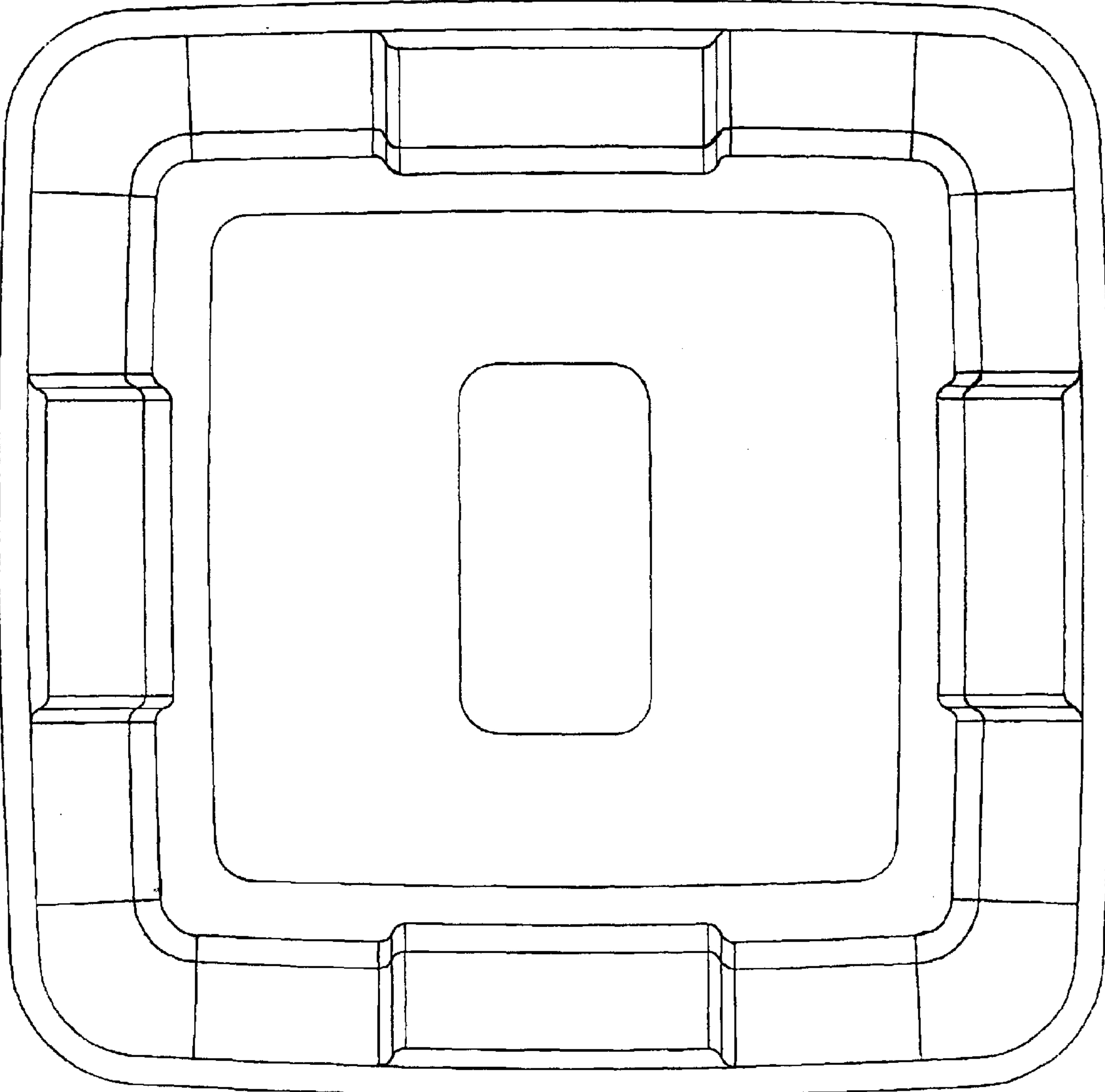
The ornamental design for a packaging container, as shown and described.

**DESCRIPTION**

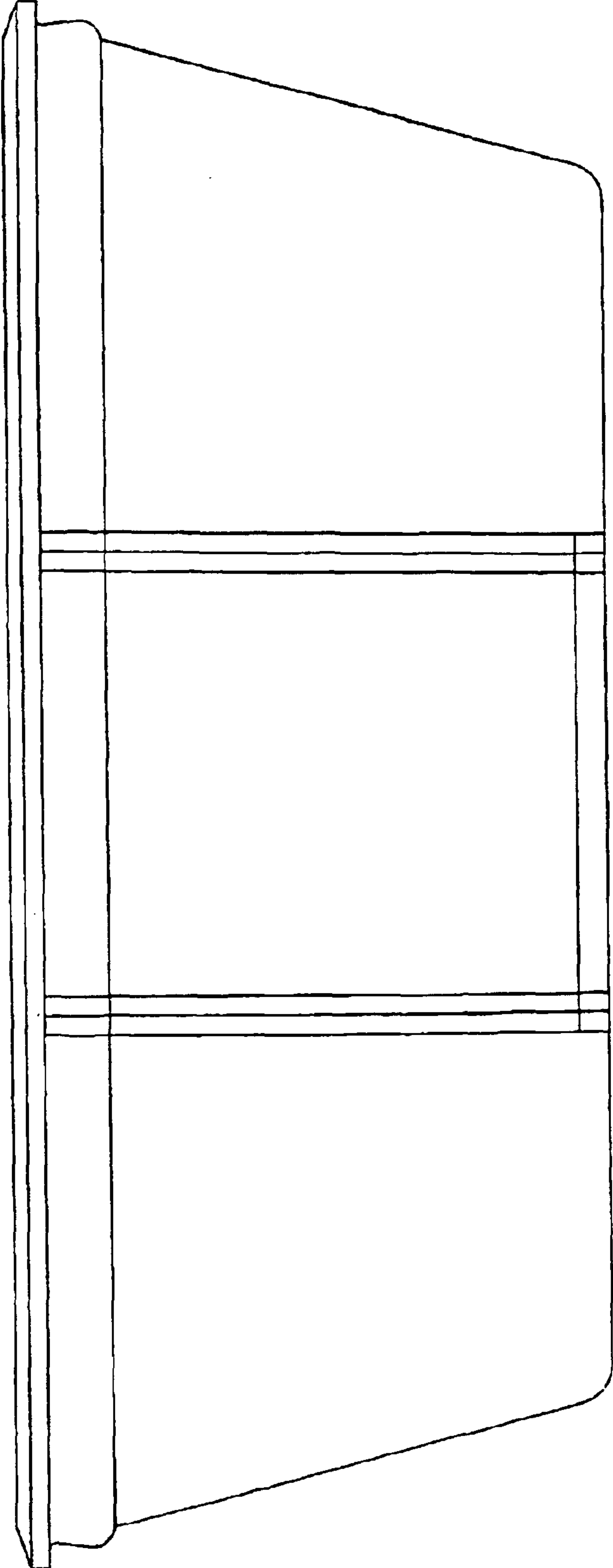
FIG. 1 is a top plan view of a packaging container according to a first embodiment of our new design; FIG. 2 is a side elevational view thereof; FIG. 3 is an end elevational view thereof; FIG. 4 is a bottom plan view thereof; FIG. 5 is a perspective view thereof; FIG. 6 is a top plan view of a packaging container according to a second embodiment of our new design; FIG. 7 is a side elevational view thereof; FIG. 8 is an end elevational view thereof; FIG. 9 is a bottom plan view thereof; and, FIG. 10 is a perspective view thereof.

**1 Claim, 10 Drawing Sheets**





*FIG. 1*



*FIG. 2*

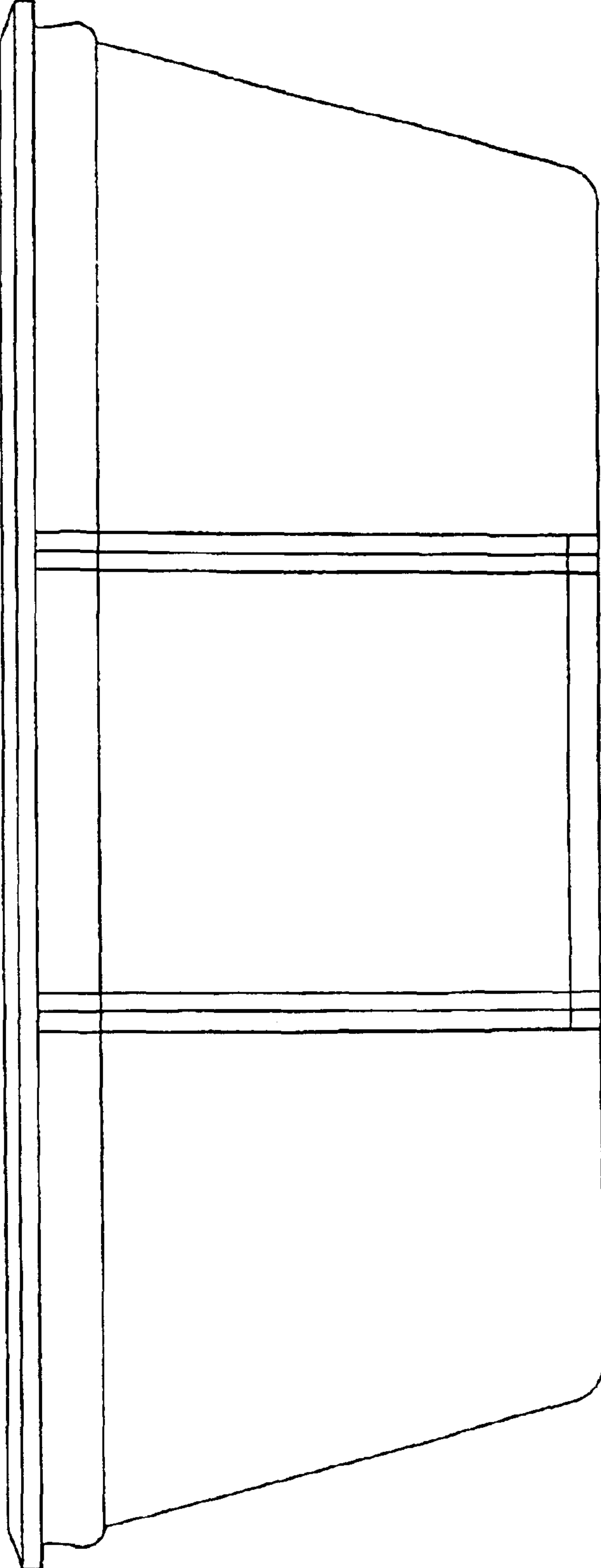


FIG. 3

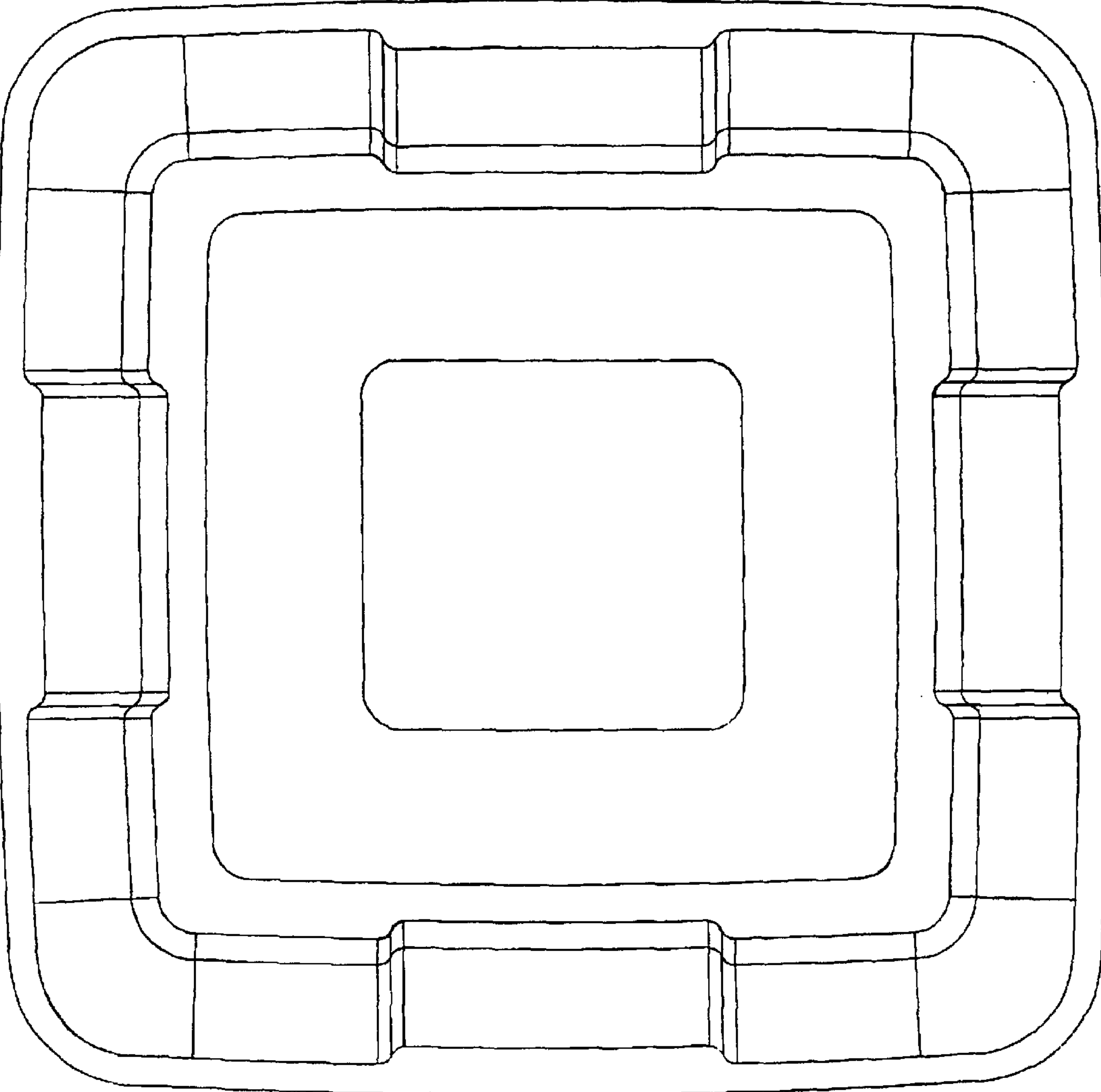
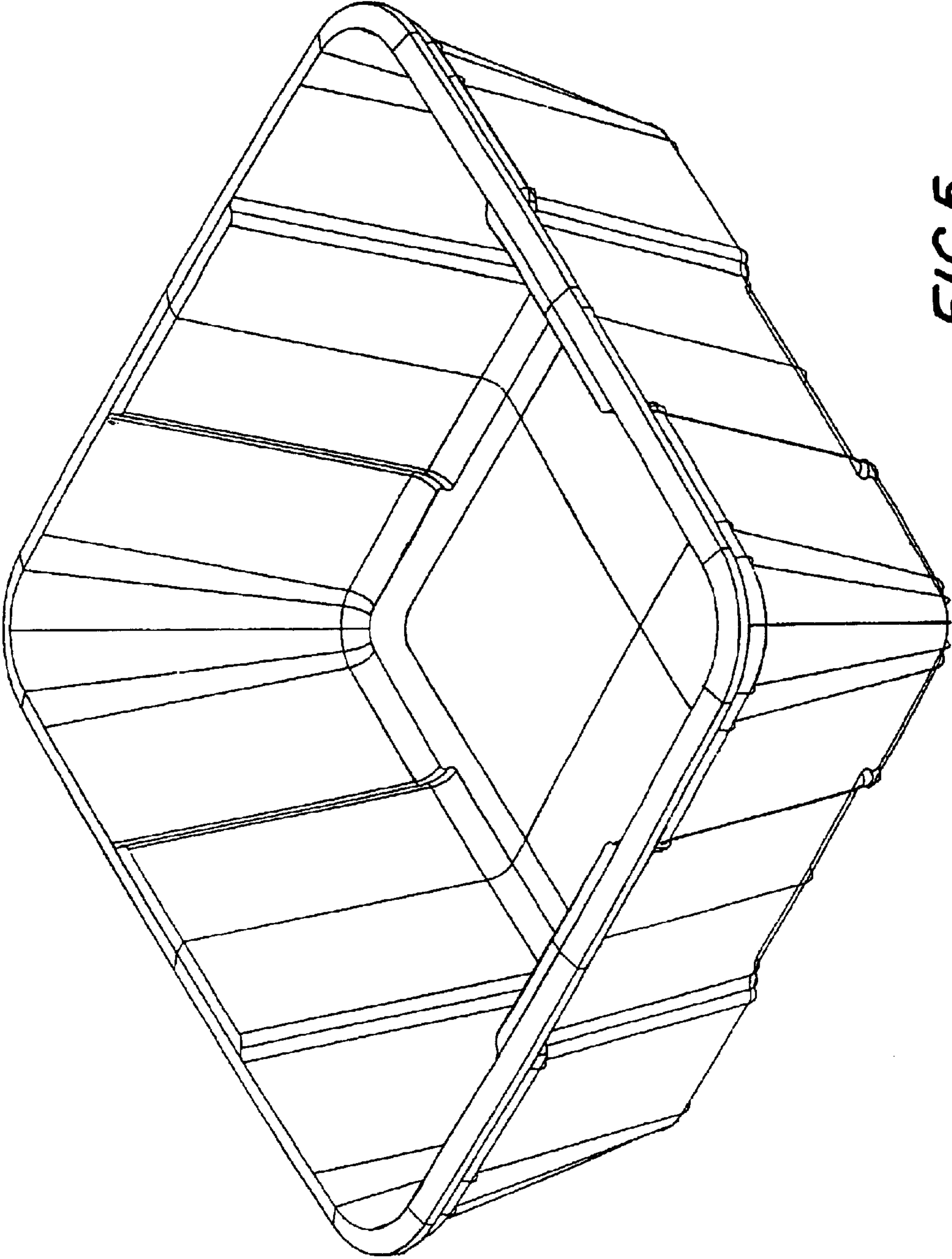


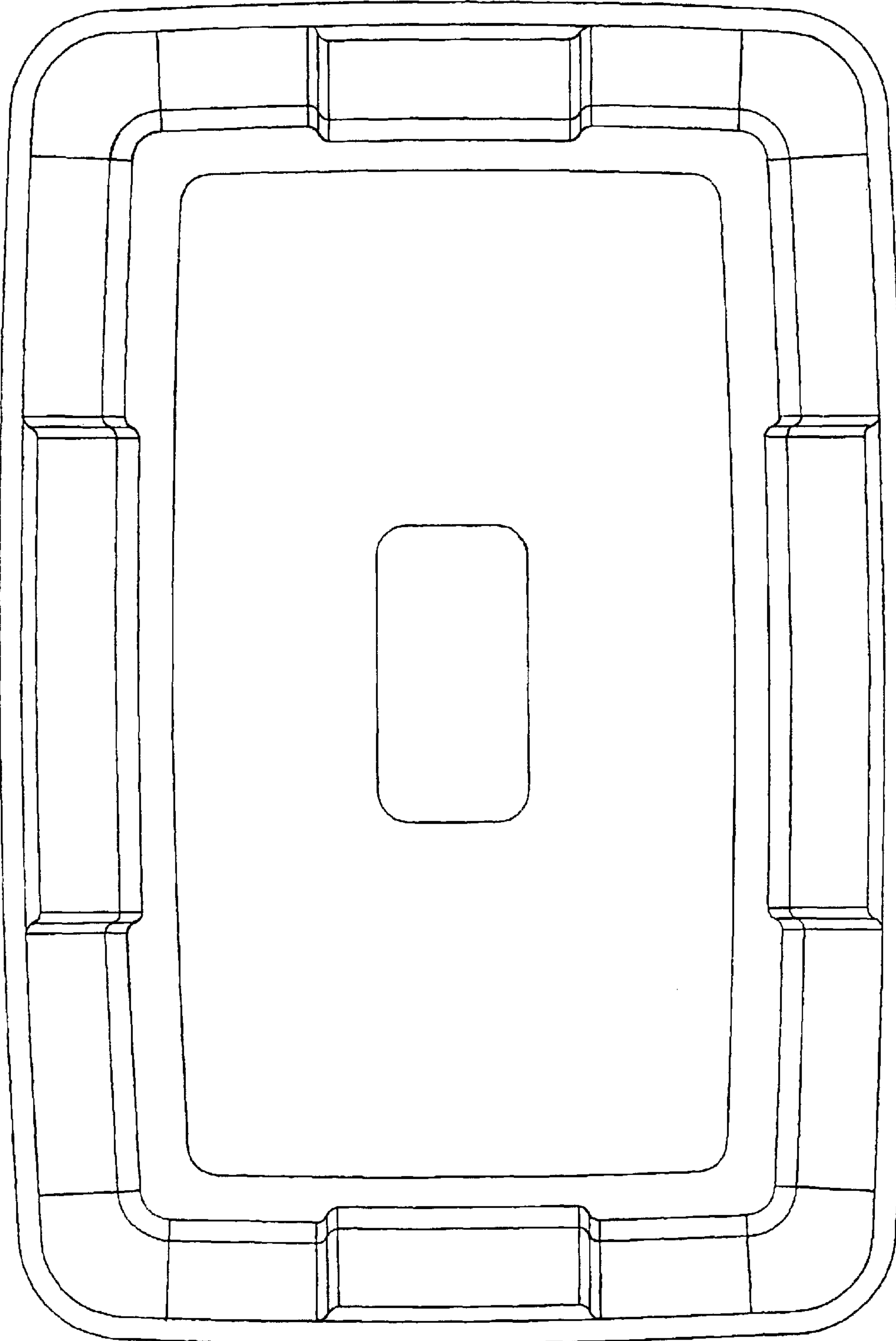
FIG. 4



*FIG. 5*



FIG. 6



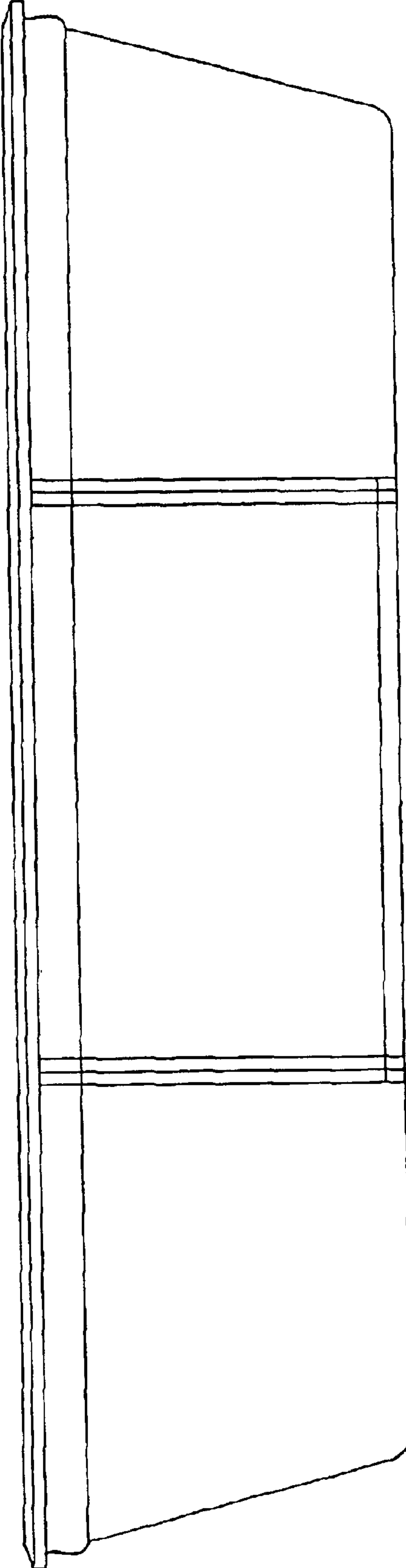


FIG. 7



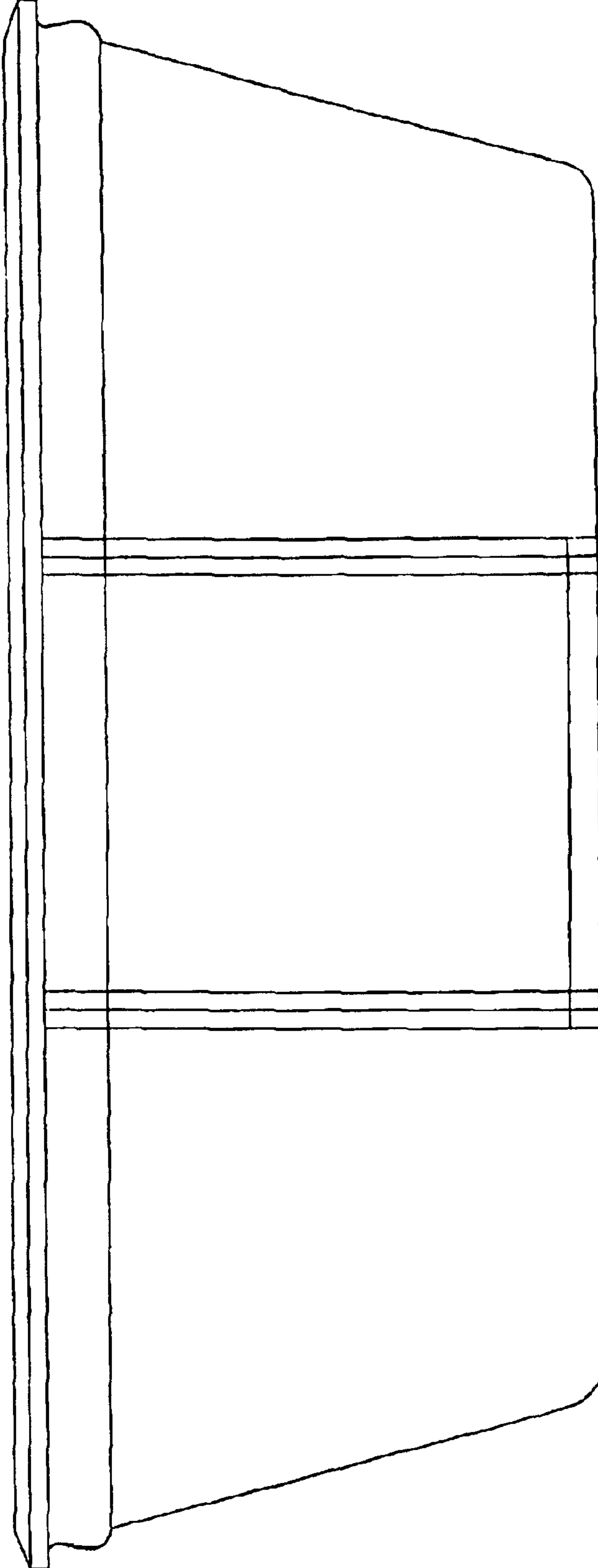
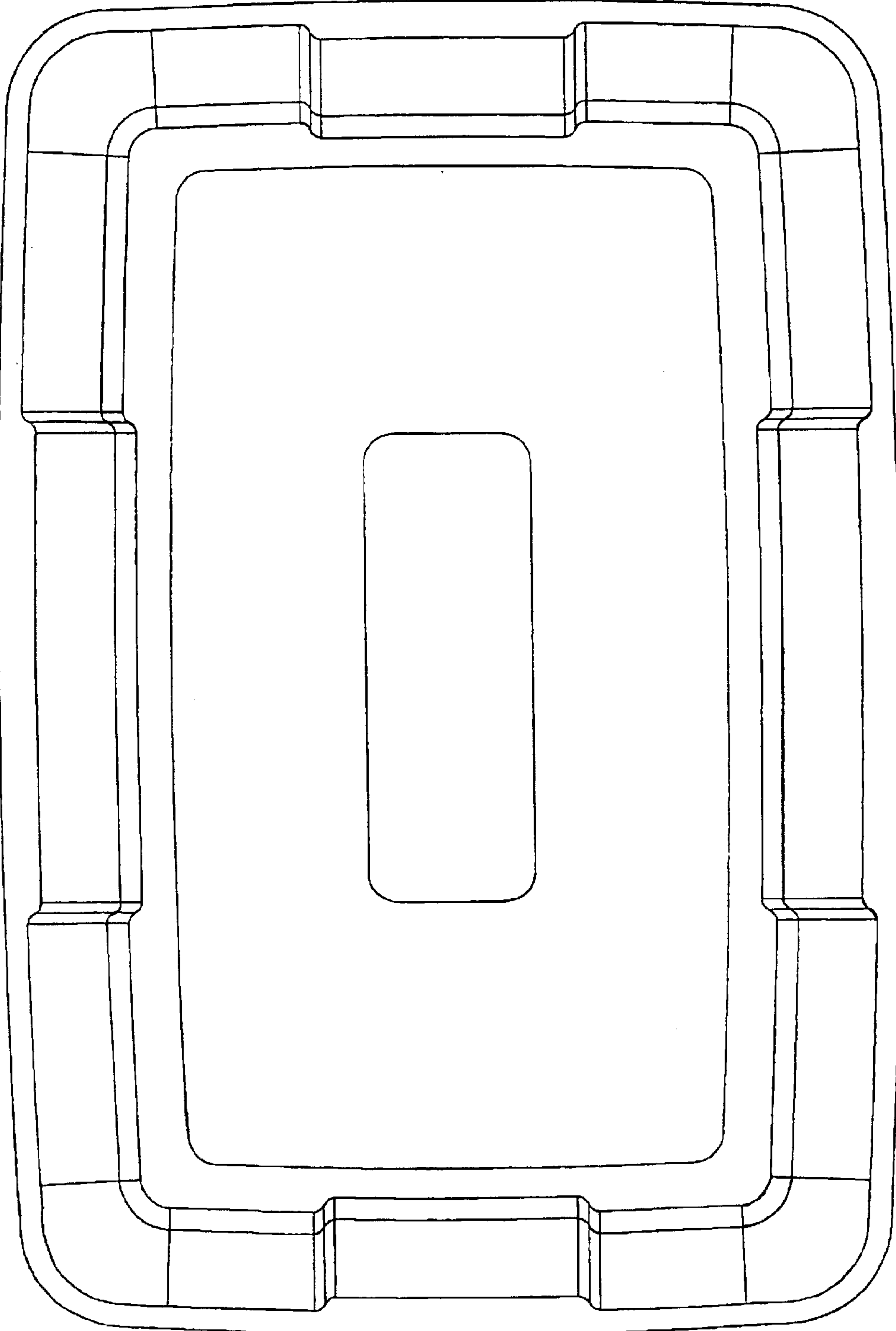
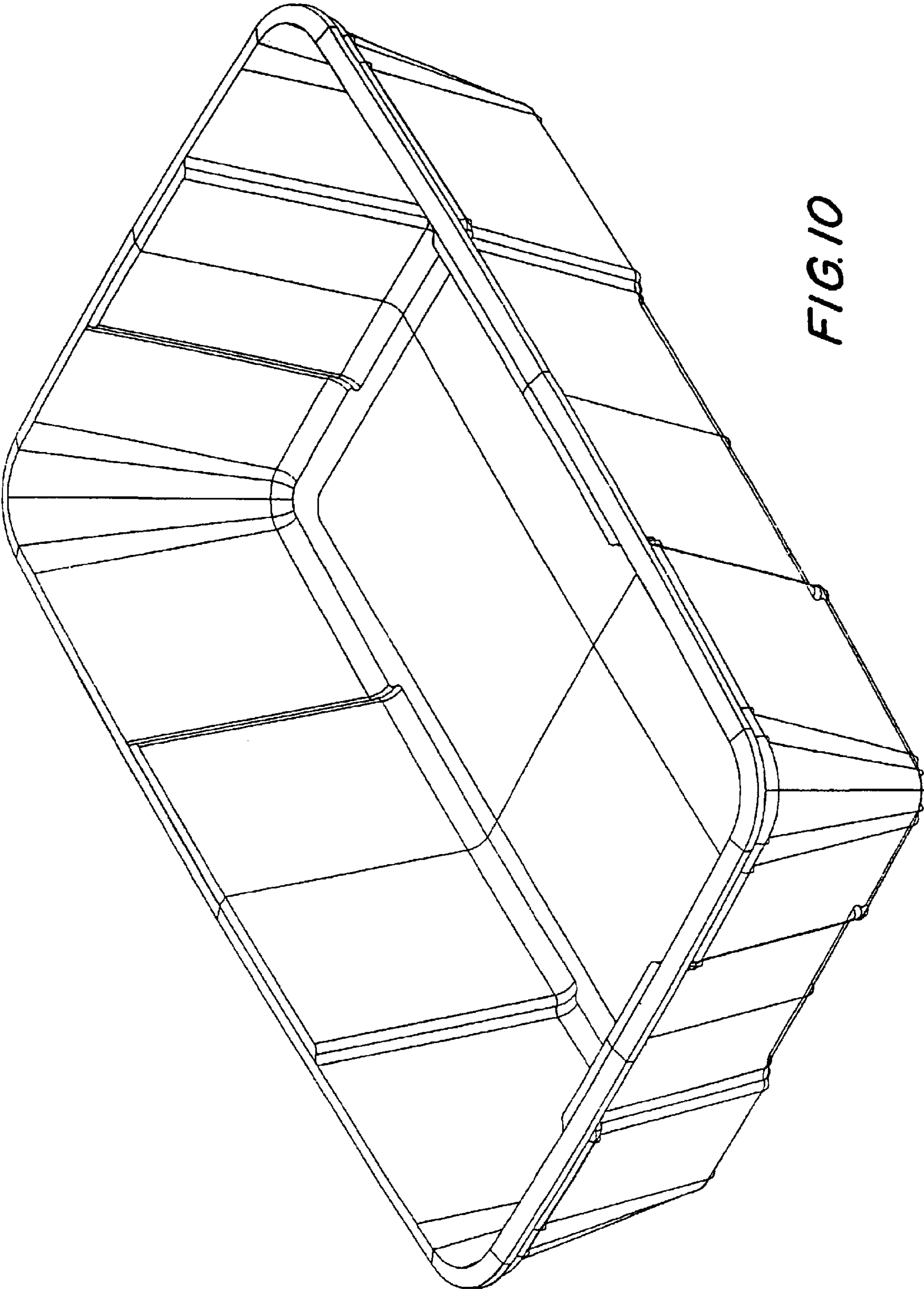


FIG. 8

FIG. 9





*FIG. 10*