

US00D495489S1

(12) **United States Design Patent**  
**Messina-Brown**

(10) **Patent No.:** **US D495,489 S**

(45) **Date of Patent:** **\*\* Sep. 7, 2004**

(54) **FOOD CARRIER**

(76) **Inventor:** **Leianne M. Messina-Brown**, 2811  
Beacon Hill Dr., West Linn, OR (US)  
97068

(\*\*) **Term:** **14 Years**

(21) **Appl. No.:** **29/178,439**

(22) **Filed:** **Mar. 26, 2003**

(51) **LOC (7) Cl.** ..... **03-01**

(52) **U.S. Cl.** ..... **D3/283; D3/287; D3/290;**  
**D7/607**

(58) **Field of Search** ..... **D3/273, 276, 283,**  
**D3/284, 285, 287, 289, 290, 291; D7/607,**  
**605; 206/546, 541, 548, 549; 383/109,**  
**110, 113; 62/457.1**

(56) **References Cited**

**U.S. PATENT DOCUMENTS**

D291,149 S	*	8/1987	Smith	.....	D3/287
D314,276 S	*	2/1991	Nordstrom	.....	D3/287
D325,128 S	*	4/1992	Cyr et al.	.....	D3/287
D340,621 S	*	10/1993	Melk	.....	D7/607
D340,840 S	*	11/1993	Melk	.....	D7/607
D355,568 S	*	2/1995	Paulin et al.	.....	D7/607
D371,052 S	*	6/1996	Melk	.....	D7/607

D371,724 S	*	7/1996	Melk	.....	D7/607
D371,942 S	*	7/1996	Lippincott et al.	.....	D7/607
D401,062 S	*	11/1998	Hauschild	.....	D3/287
D434,609 S	*	12/2000	Yu	.....	D7/607
6,234,677 B1	*	5/2001	Mogil	.....	383/110

\* cited by examiner

*Primary Examiner*—Philip S. Hyder

(74) *Attorney, Agent, or Firm*—Ingrid McTaggart

(57) **CLAIM**

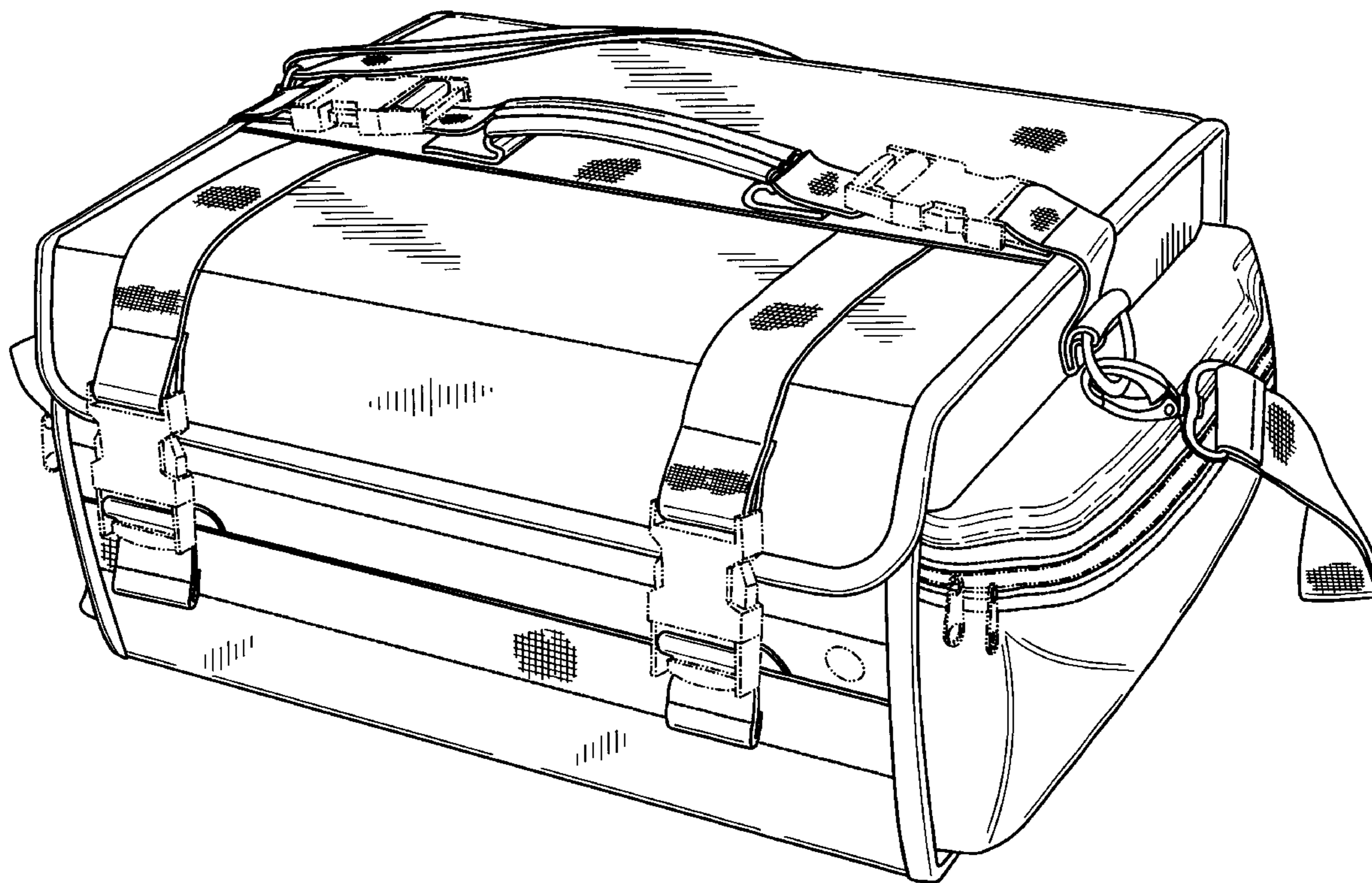
I claim the ornamental design for a food carrier, as shown and described.

**DESCRIPTION**

FIG. 1 is a perspective view of the food carrier shown in the closed condition;  
FIG. 2 is a front elevational view of the food carrier;  
FIG. 3 is a rear elevational view of the food carrier;  
FIG. 4 is a top plan view of the food carrier;  
FIG. 5 is a bottom plan view of the food carrier;  
FIG. 6 is a right side elevational view of the food carrier;  
FIG. 7 is a left side elevational view of the food carrier; and,  
FIG. 8 is a perspective view of the food carrier shown in the open condition.

The broken line showings of the buckles are for illustrative purposes only and form no part of the claimed design.

**1 Claim, 5 Drawing Sheets**



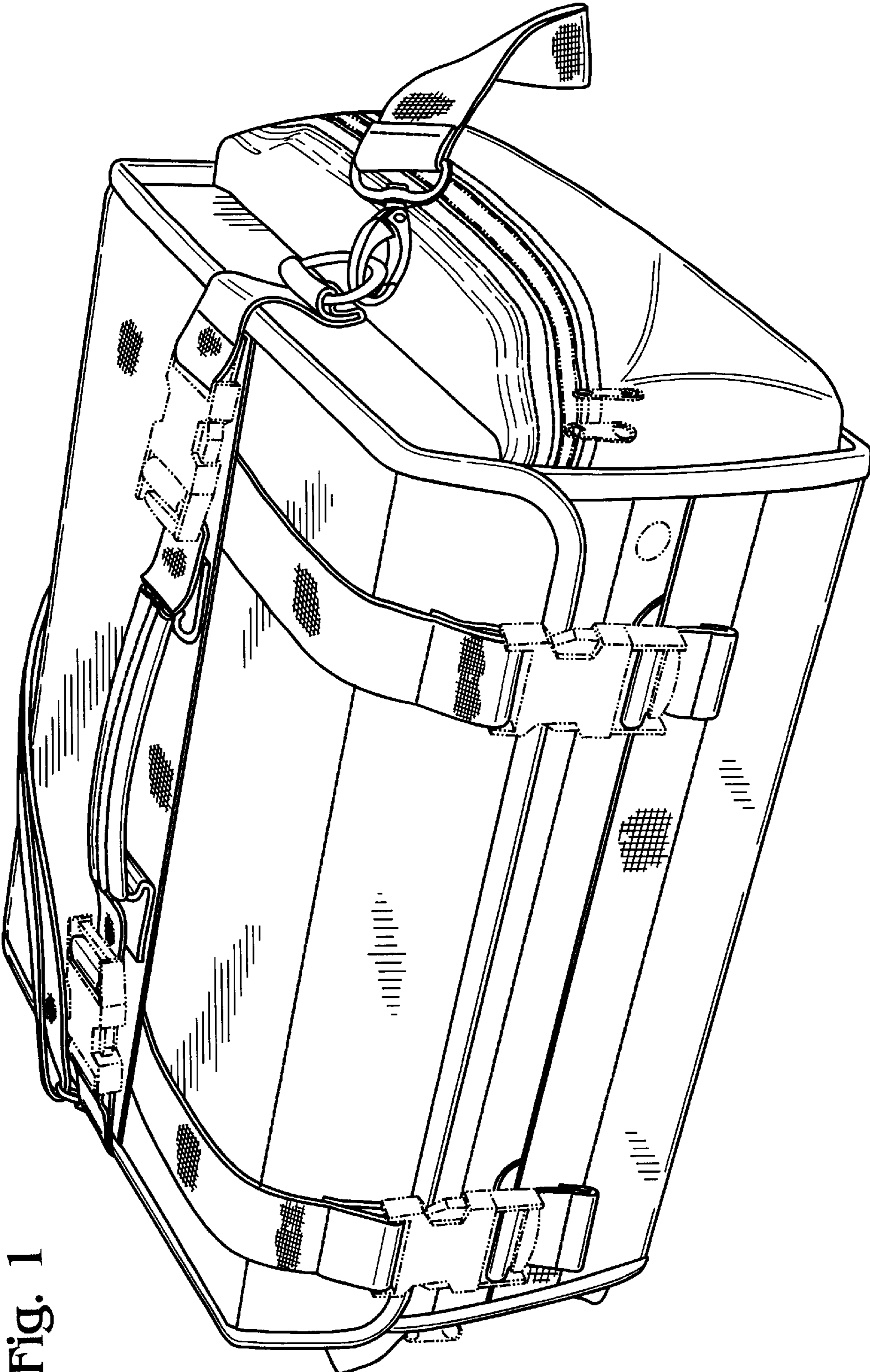


Fig. 1

Fig. 2

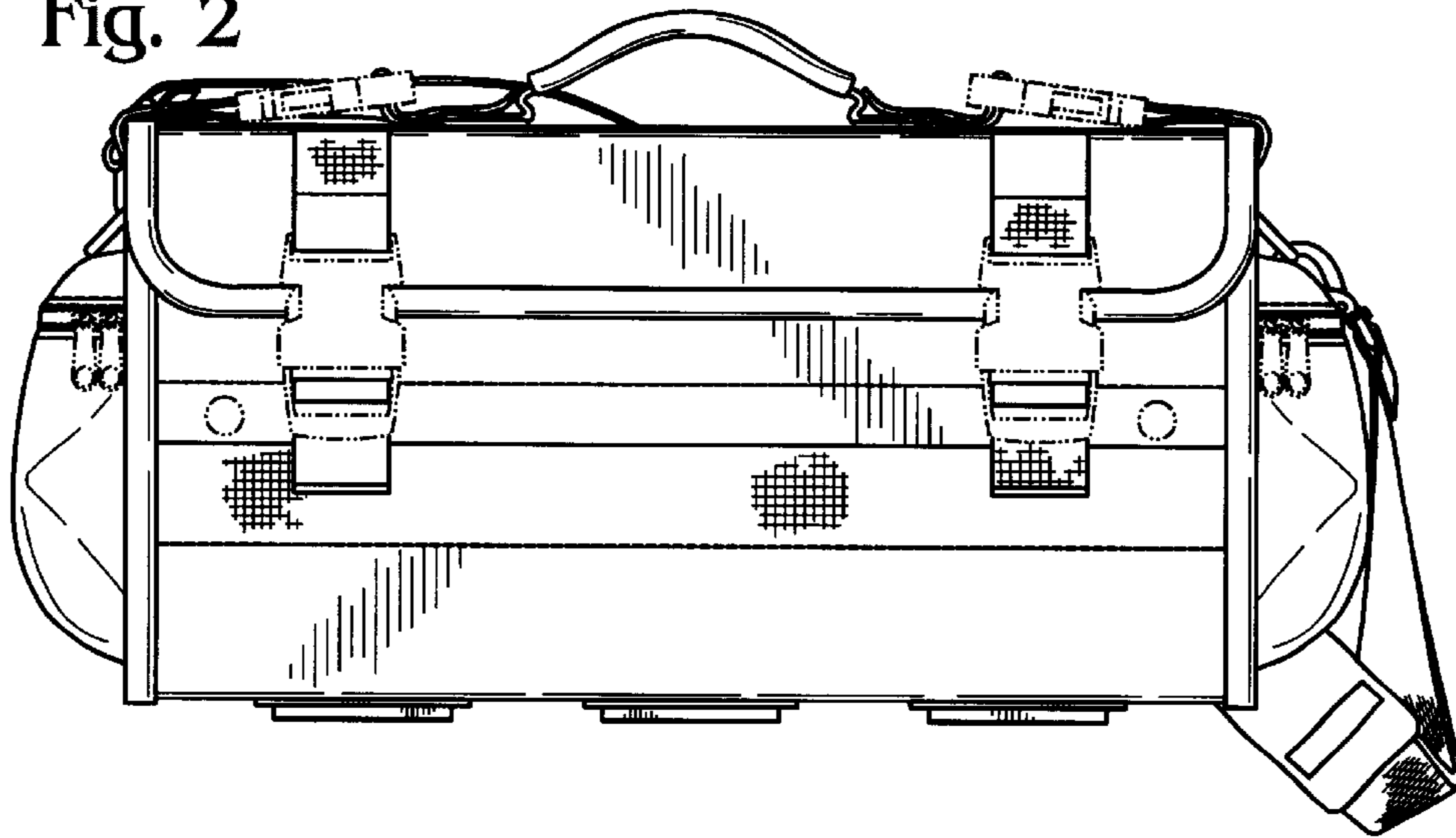


Fig. 3

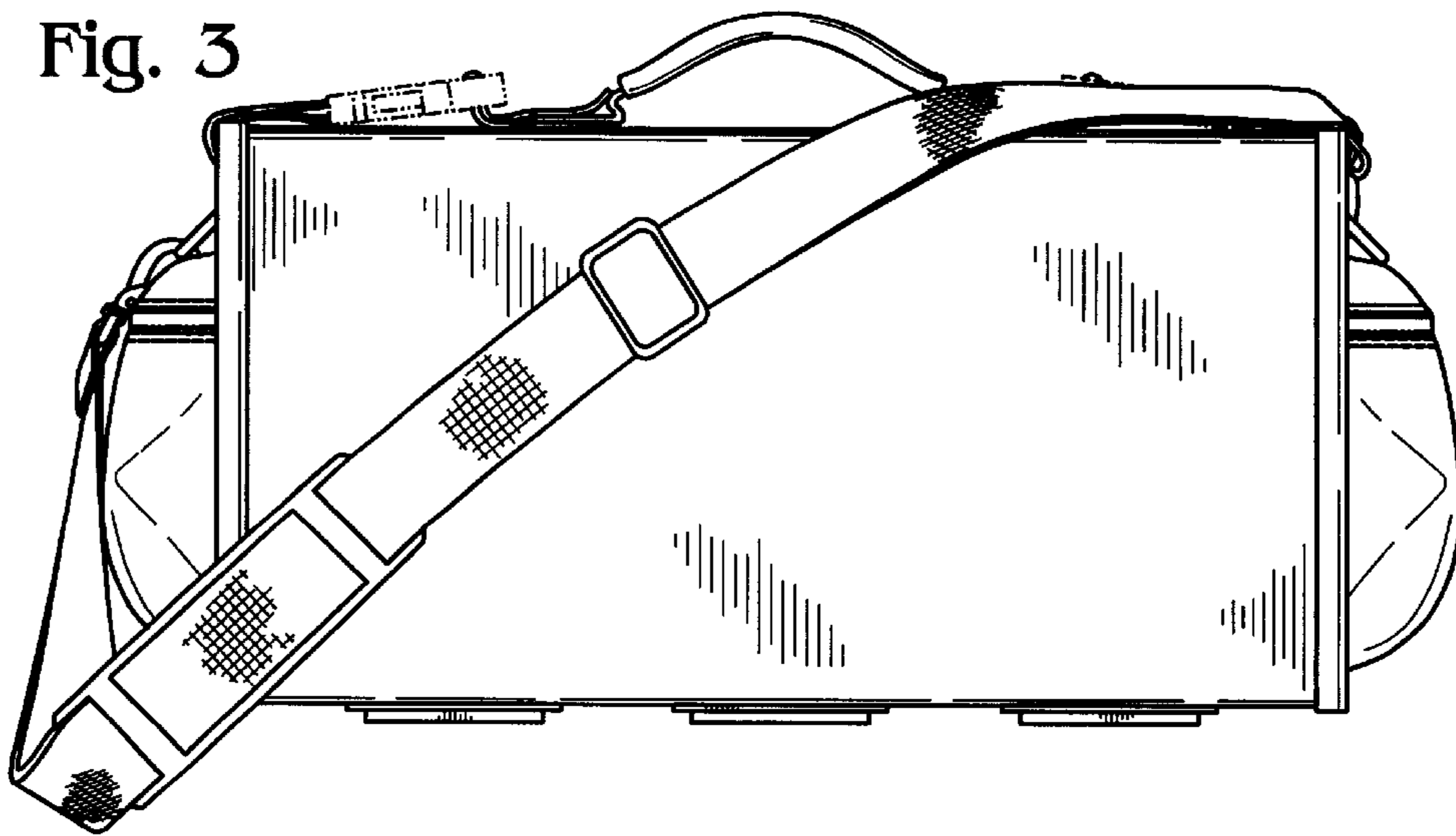




Fig. 4

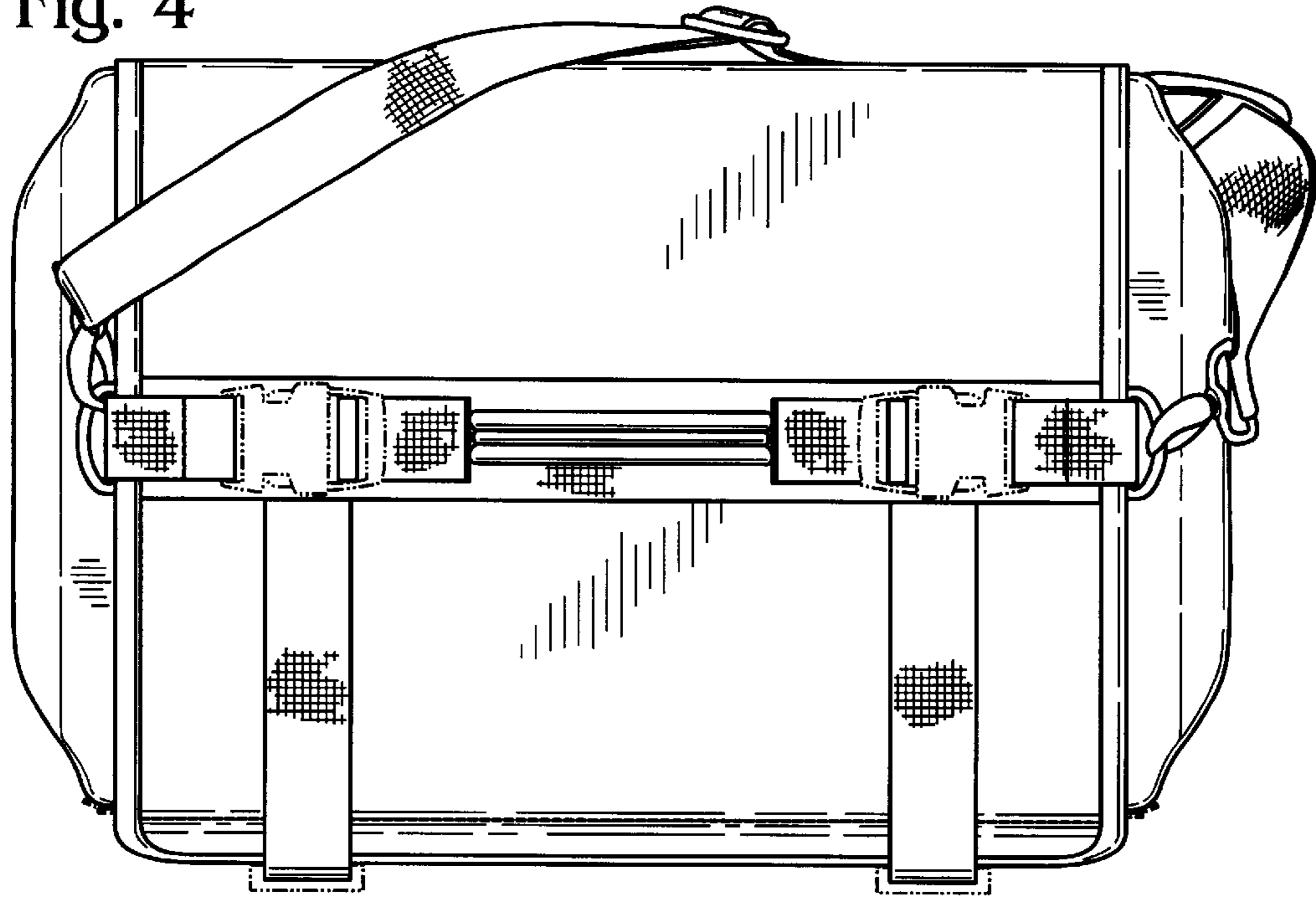


Fig. 5

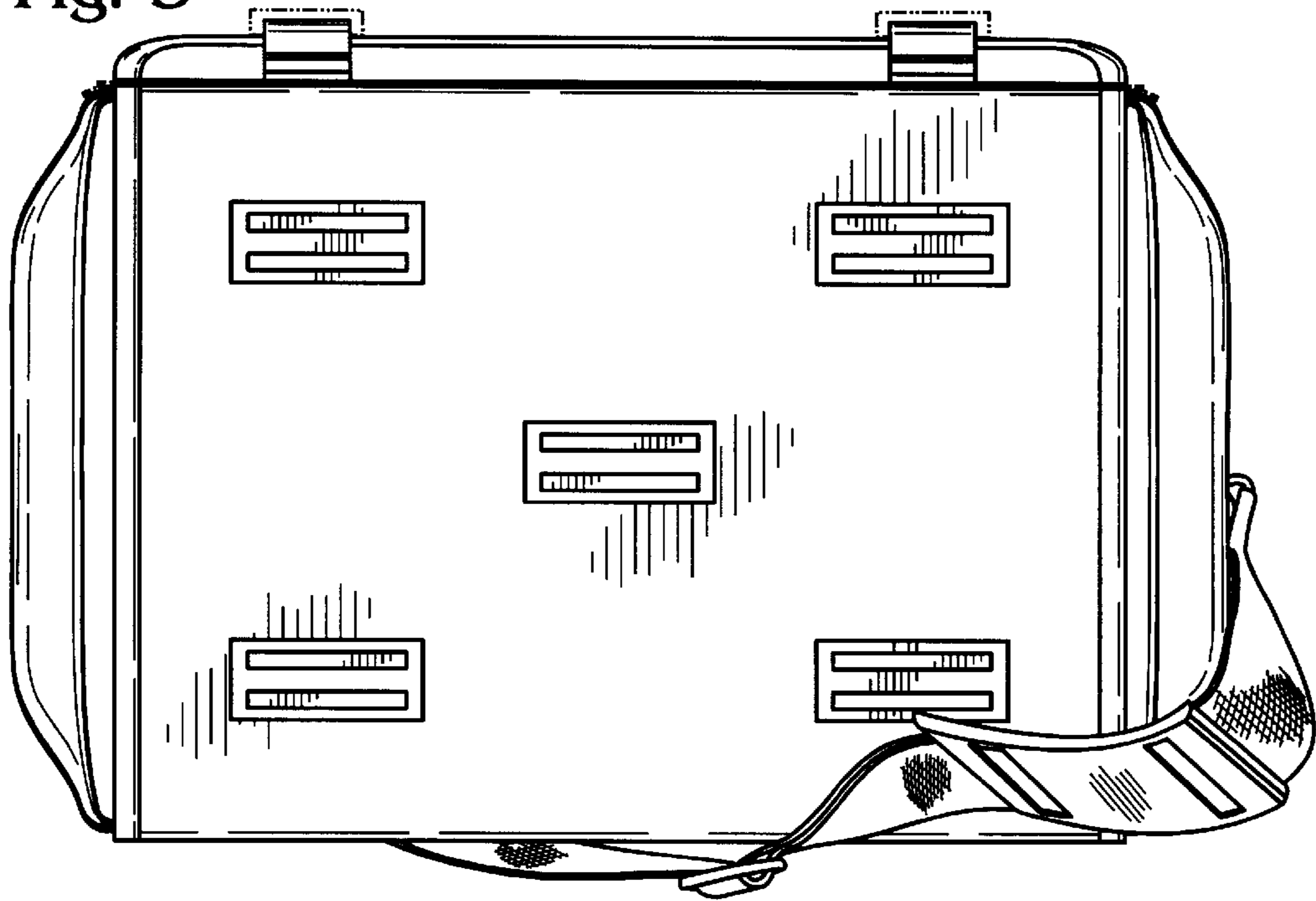


Fig. 6

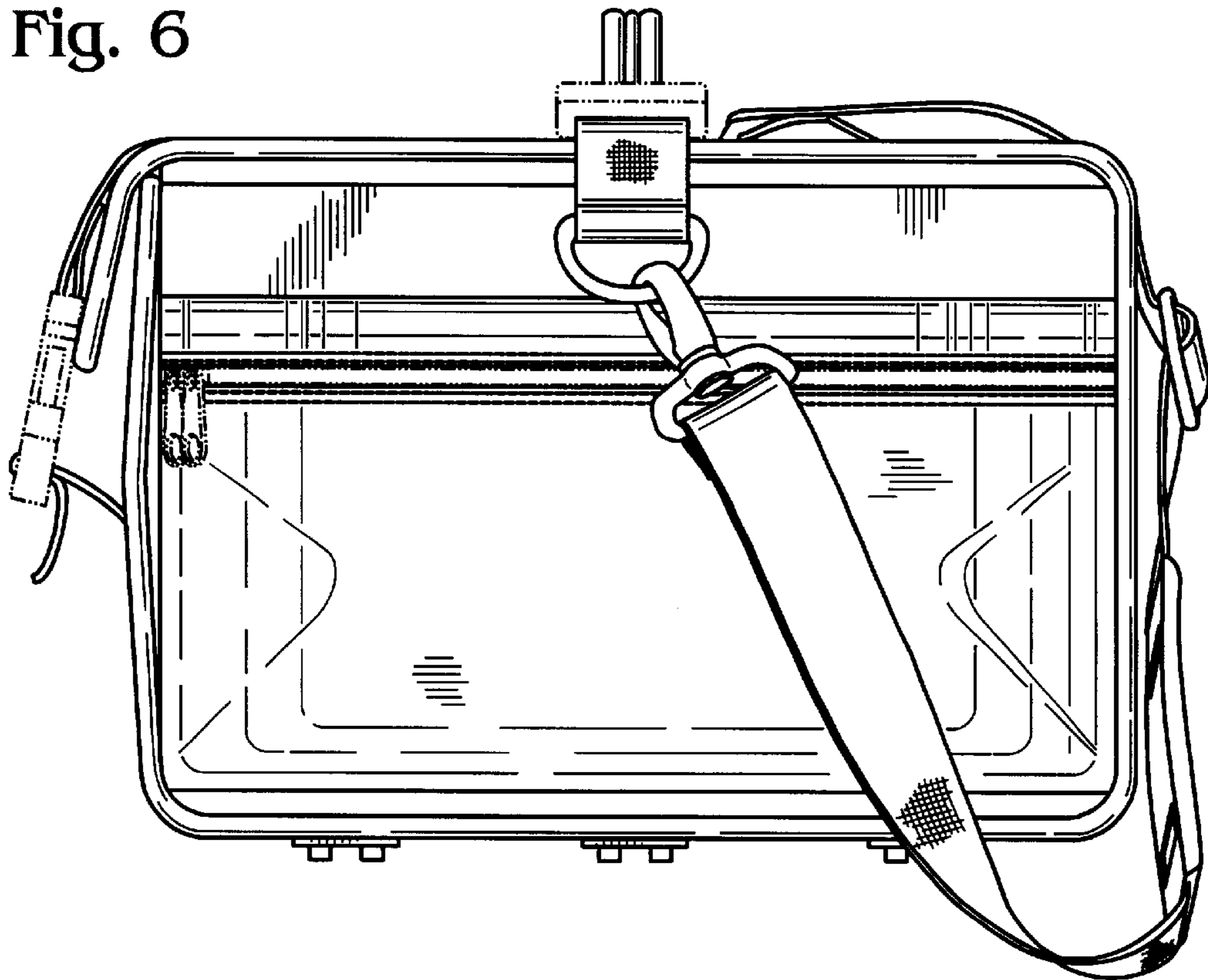
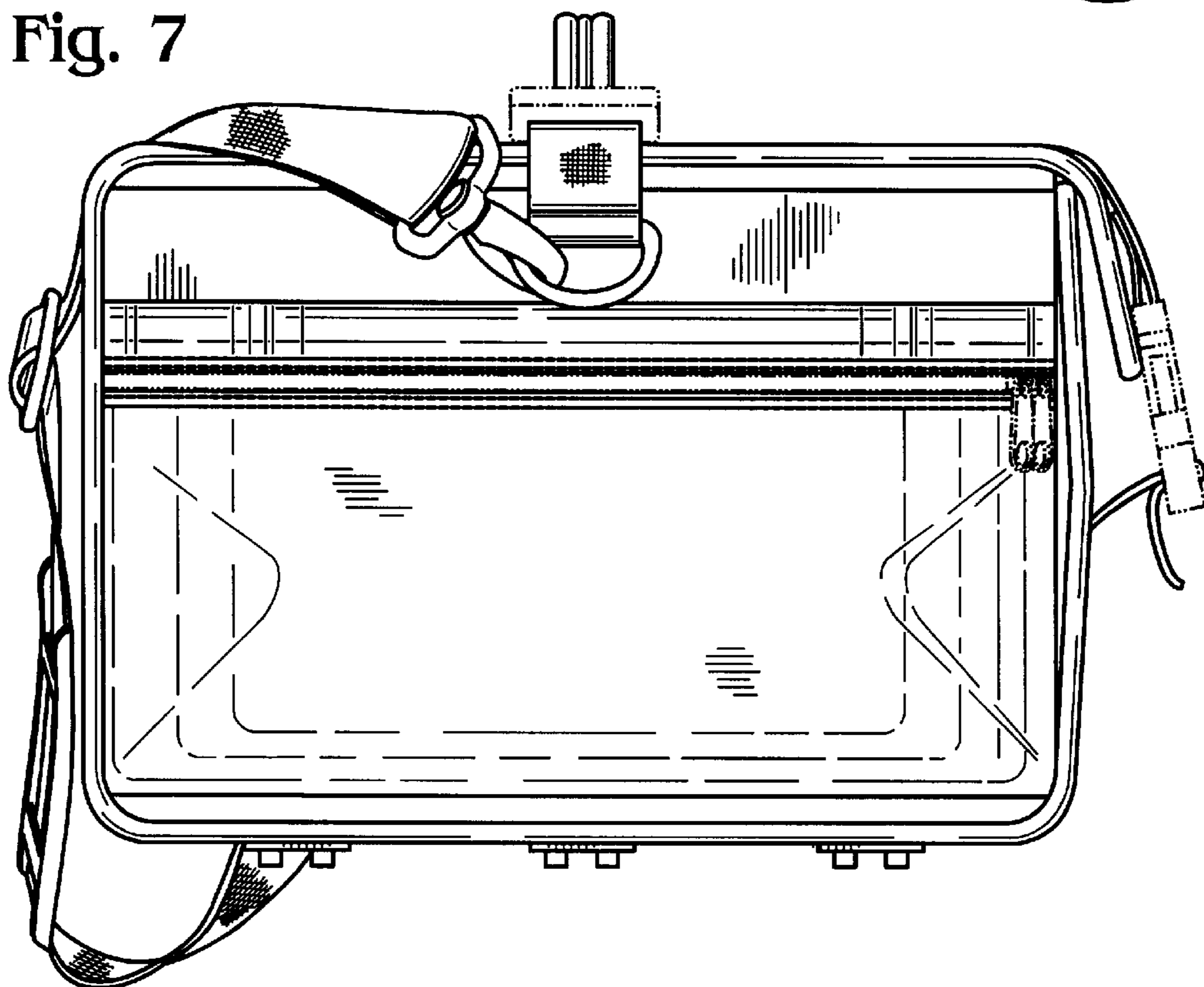


Fig. 7



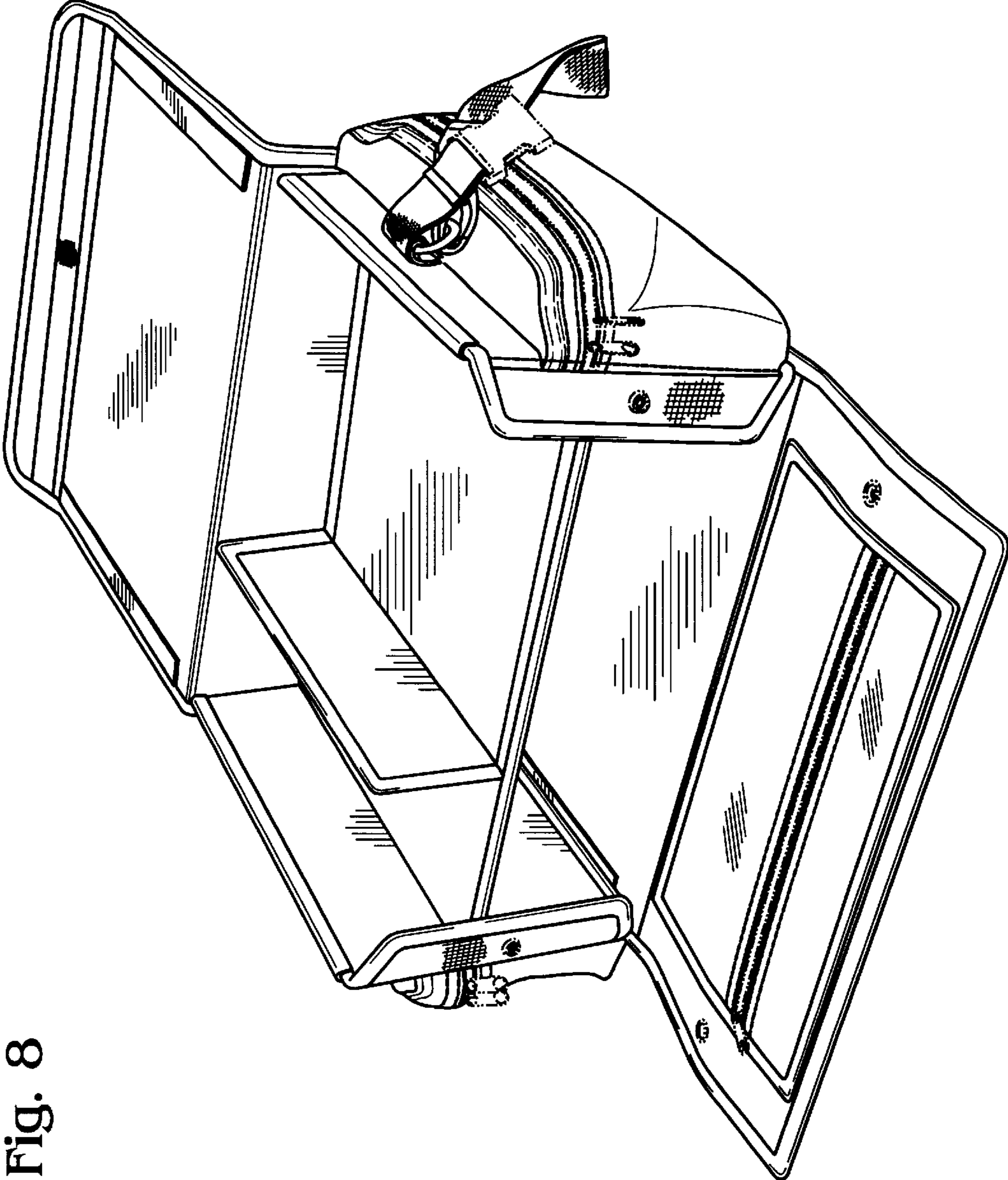


Fig. 8