

US00D495482S1

(12) **United States Design Patent** (10) **Patent No.:** **US D495,482 S**
Goldwitz (45) **Date of Patent:** **** Sep. 7, 2004**

- (54) **UMBRELLA ASSEMBLY** 5,845,665 A 12/1998 Koehn
- (75) Inventor: **Brian L. Goldwitz**, Orange, CT (US) 5,937,882 A 8/1999 Harbaugh
- (73) Assignee: **Tracy Forlini Goldwitz**, Orange, CT (US) 5,960,806 A 10/1999 Steiner
- (**) Term: **14 Years** 5,967,881 A 10/1999 Tucker
- 6,152,156 A 11/2000 Tung
- D434,556 S 12/2000 Lin
- 6,220,261 B1 4/2001 Glatz
- 6,401,739 B1 6/2002 Bright et al.

FOREIGN PATENT DOCUMENTS

- (21) Appl. No.: **29/182,341**
- (22) Filed: **May 23, 2003**
- DE 38 20 573 A1 8/1989
- EP 0 334 821 9/1989
- FR 2 752 512 2/1998

Related U.S. Application Data

- (62) Division of application No. 29/156,131, filed on Feb. 22, 2002, now Pat. No. Des. 477,458.
- (51) **LOC (7) Cl.** **03-03**
- (52) **U.S. Cl.** **D3/10**
- (58) **Field of Search** D3/5-6, 10, 12, D3/14, 16-17; 135/16, 18-26, 29-32, 98, 33.71, 910, 913; 297/184.6; 362/577, 102

Primary Examiner—Louis S. Zarfaz
Assistant Examiner—Robert A Delehanty
 (74) *Attorney, Agent, or Firm*—Edwards & Angell, LLP; George N. Chaclas

(57) **CLAIM**

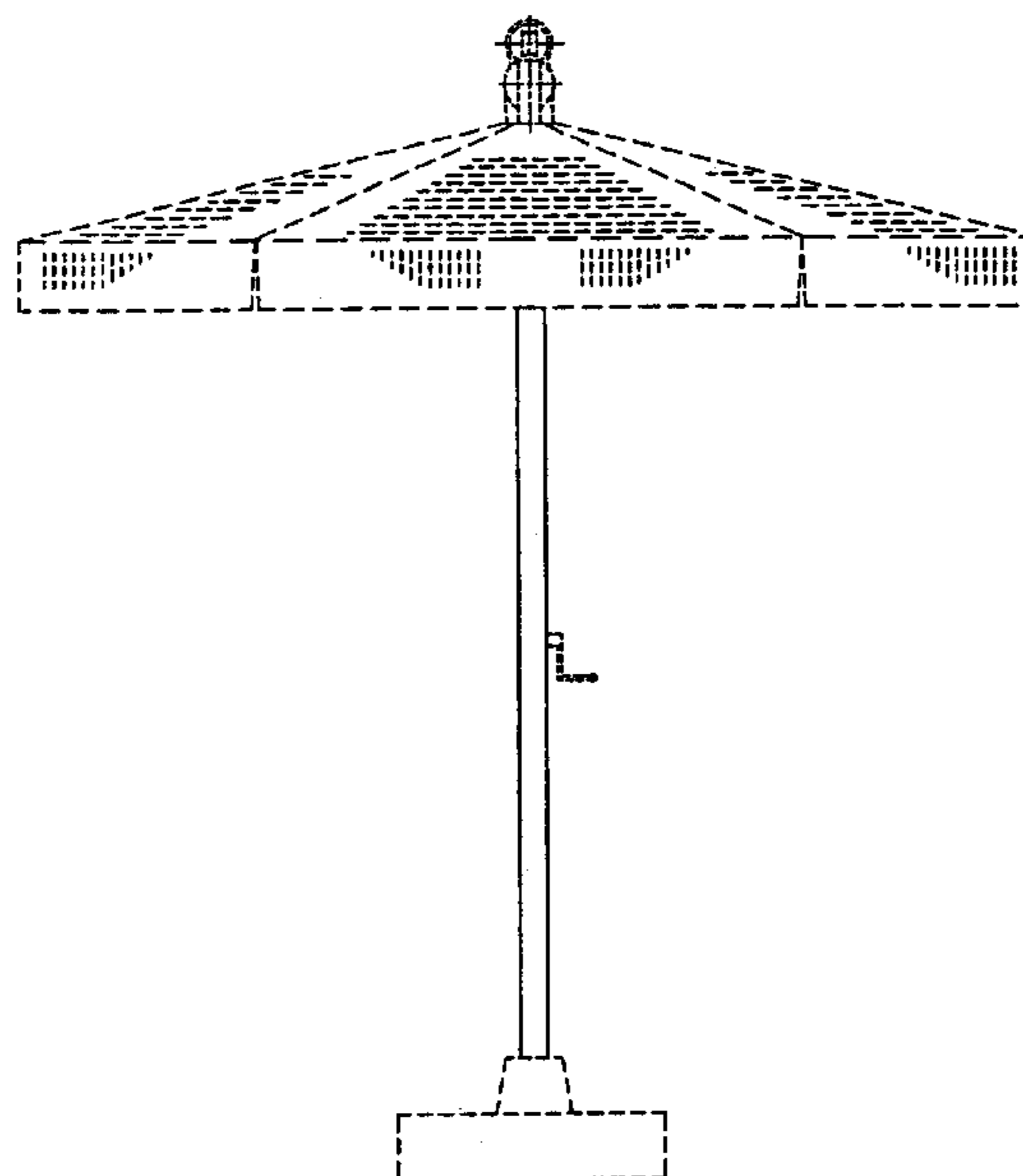
The ornamental design for an umbrella assembly, as shown and described.

DESCRIPTION

FIG. 1 is a front view of the umbrella assembly according to the present disclosure.
 FIG. 2 is a rear view of the umbrella assembly according to the present disclosure.
 FIG. 3 is a bottom view of the umbrella assembly according to the present disclosure.
 FIG. 4 is a top view of the umbrella assembly according to the present disclosure; and,
 FIG. 5 is a side view of the umbrella assembly according to the present disclosure.
 The broken lines shown in the drawing figures are for illustrative purposes only and form no part of the claimed design.

- (56) **References Cited**
- U.S. PATENT DOCUMENTS**
- 169,599 A 11/1875 Tibbals
- 281,675 A 7/1883 Eighling et al.
- 332,917 A 12/1885 Markham
- 508,418 A 11/1893 Heaney
- 552,115 A 12/1895 Frye
- 565,619 A 8/1896 Haynes
- 2,658,225 A 11/1953 Bascom
- 2,767,723 A 10/1956 Sears, Jr.
- 4,606,366 A 8/1986 Collet
- 5,611,364 A 3/1997 Woods et al.
- 5,678,585 A 10/1997 May
- 5,735,302 A 4/1998 Saliva
- 5,785,069 A 7/1998 Glatz
- D398,443 S 9/1998 Bolle

1 Claim, 5 Drawing Sheets



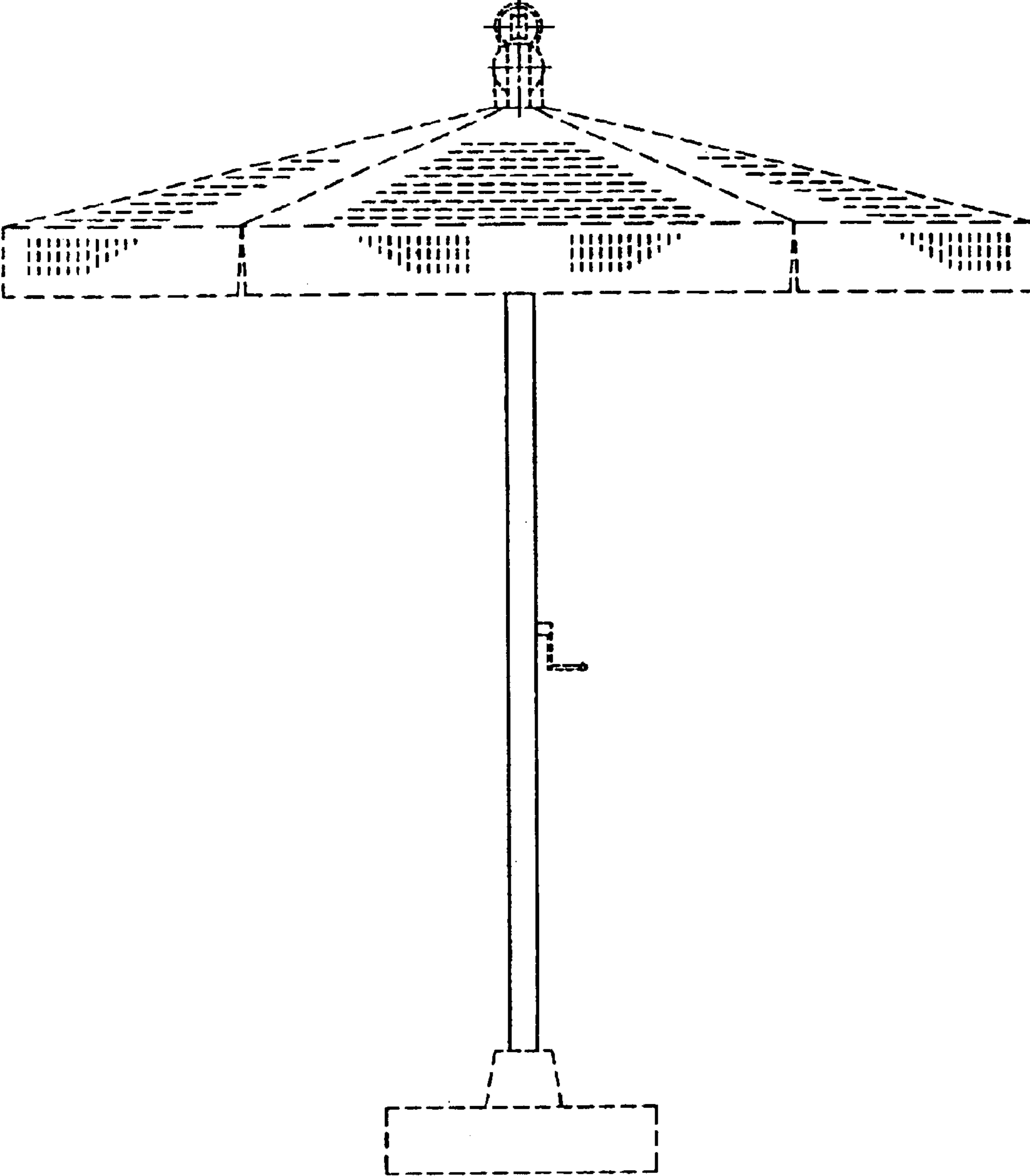


FIGURE 1

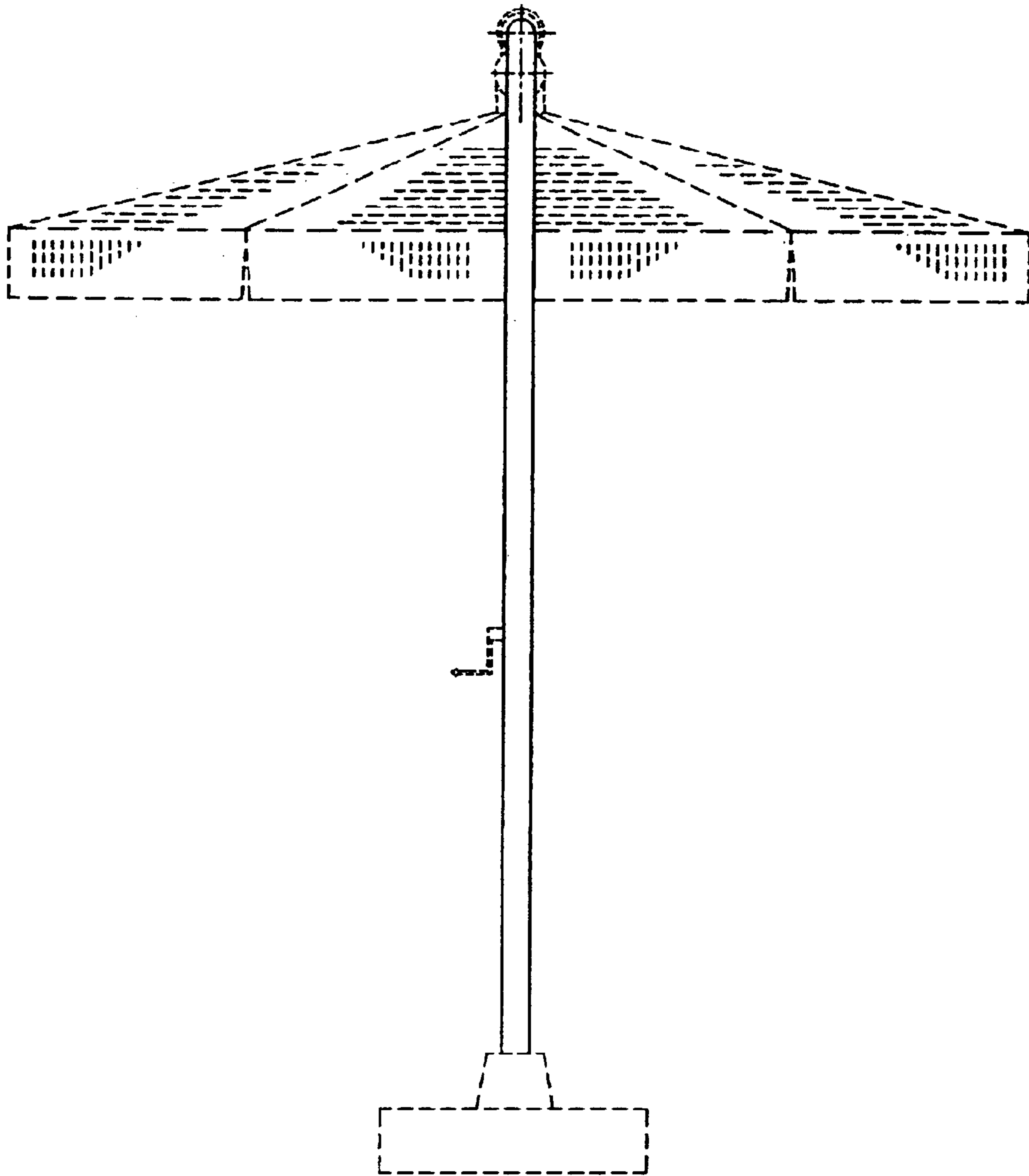


FIGURE 2

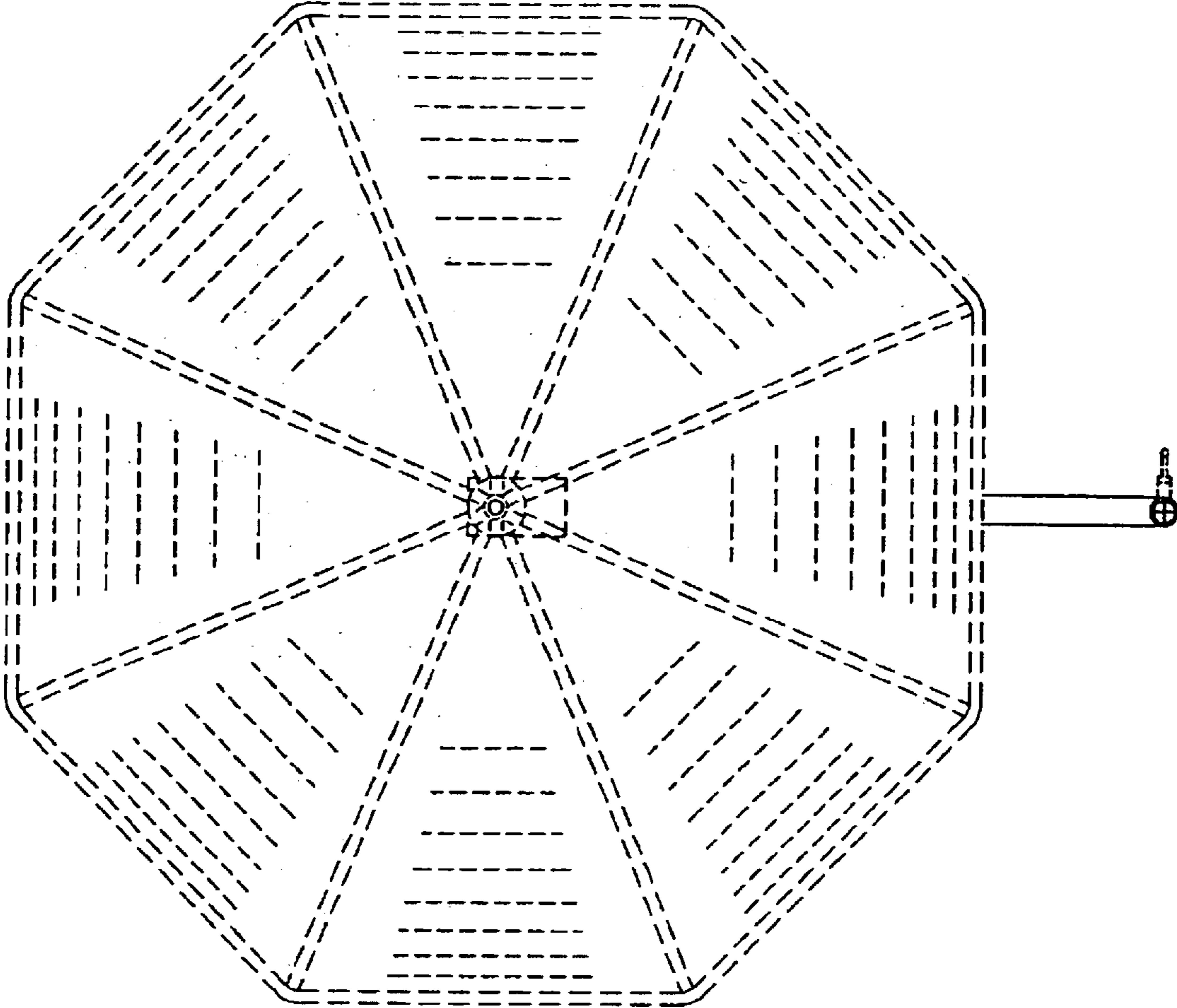


FIGURE 3

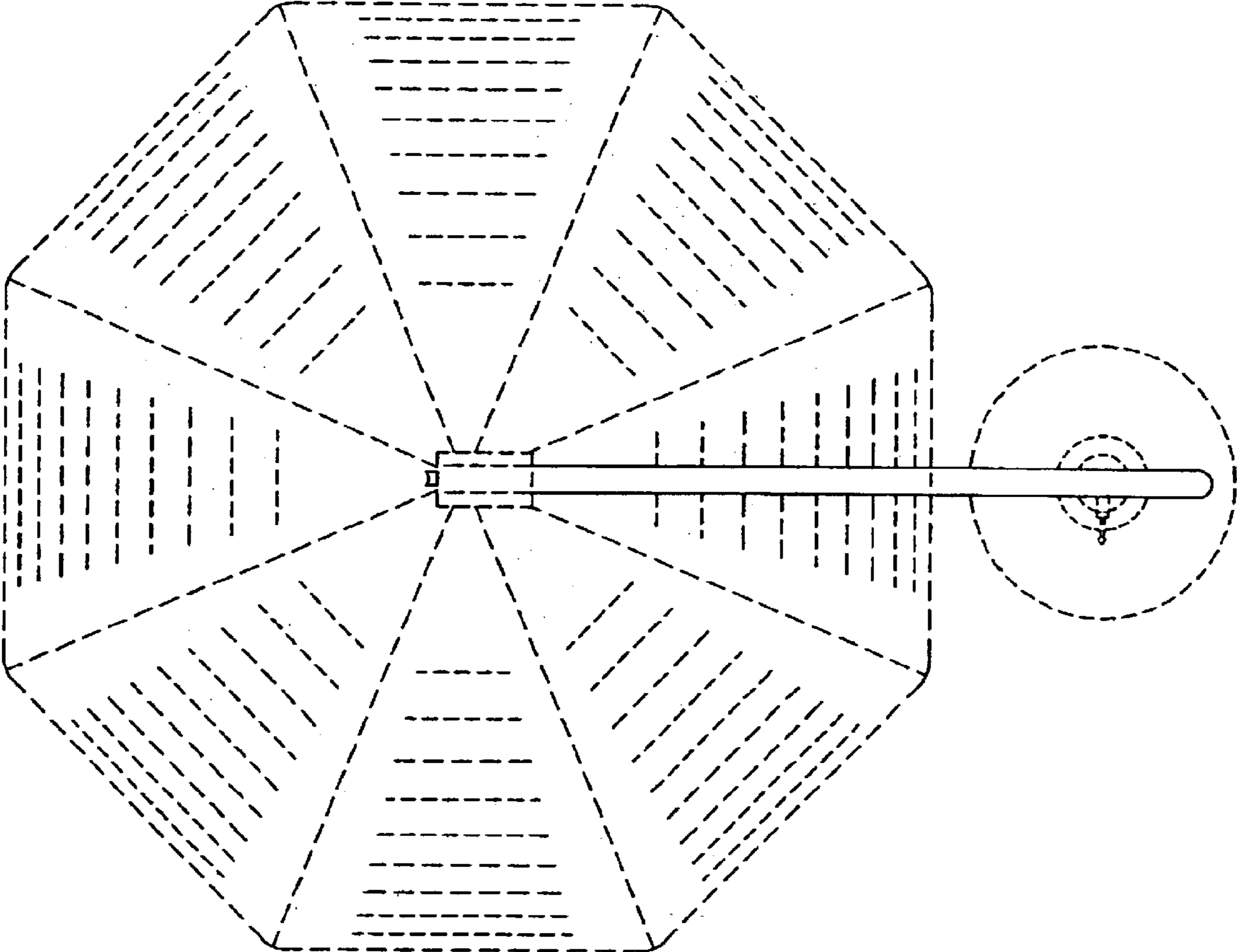


FIGURE 4

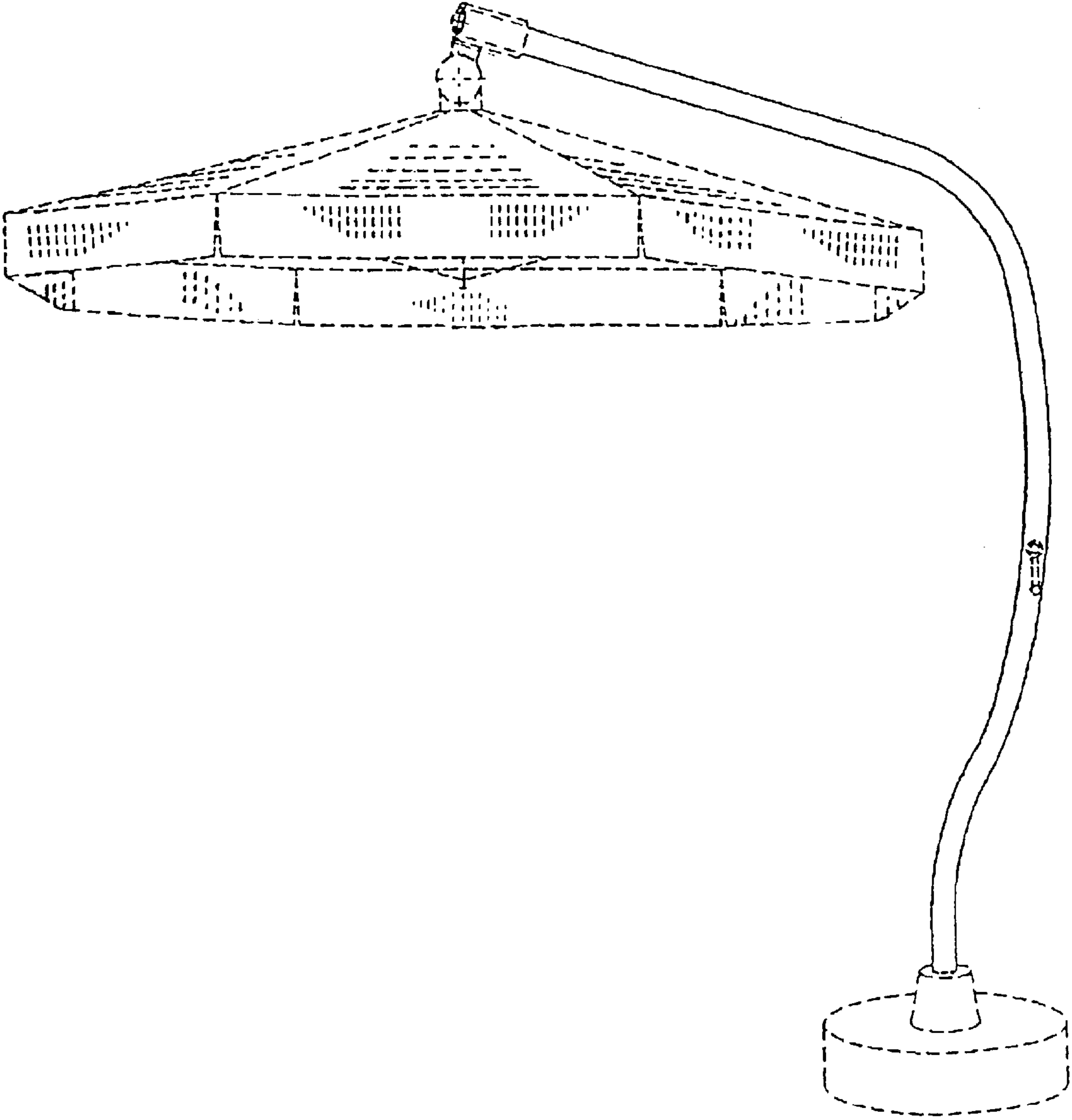


FIGURE 5