

US00D495468S1

(12) **United States Design Patent**
Wheeler-Dickson et al.

(10) **Patent No.: US D495,468 S**
(45) **Date of Patent: ** Sep. 7, 2004**

(54) **HOSPITAL GOWN**

D431,344 S * 10/2000 Briceno D2/720

(75) Inventors: **Jacqueline Wheeler-Dickson**,
Martinsburg, PA (US); **Diane Pringle**,
Johnstown, PA (US)

* cited by examiner

(73) Assignees: **Mary B. Wheeler School of Design, Inc.**,
Martinsburg, PA (US); **Windber Medical Center**,
Windber, PA (US)

Primary Examiner—Doris Clark

(74) *Attorney, Agent, or Firm*—Cohen & Grigsby, P.C.

(**) Term: **14 Years**

(57) **CLAIM**

An ornamental design for a hospital gown, substantially as shown in the drawings.

(21) Appl. No.: **29/182,214**

DESCRIPTION

(22) Filed: **May 21, 2003**

Related U.S. Application Data

FIG. 1 is an elevation view of the front, left panel in open position of the hospital gown showing our new design.

(63) Continuation of application No. 29/165,258, filed on Aug. 6, 2002, now Pat. No. Des. 478,203.

FIG. 2 is an elevation view of the front, right panel in open position, left panel in partially open position of the hospital gown showing our new design; and,

(51) **LOC (7) Cl.** **02-01**

(52) **U.S. Cl.** **D2/720**

(58) **Field of Search** D2/720, 756, 724;
2/133, 1, 114

FIG. 3 is an elevation view of the front, both panels in open position of the hospital gown showing our new design.

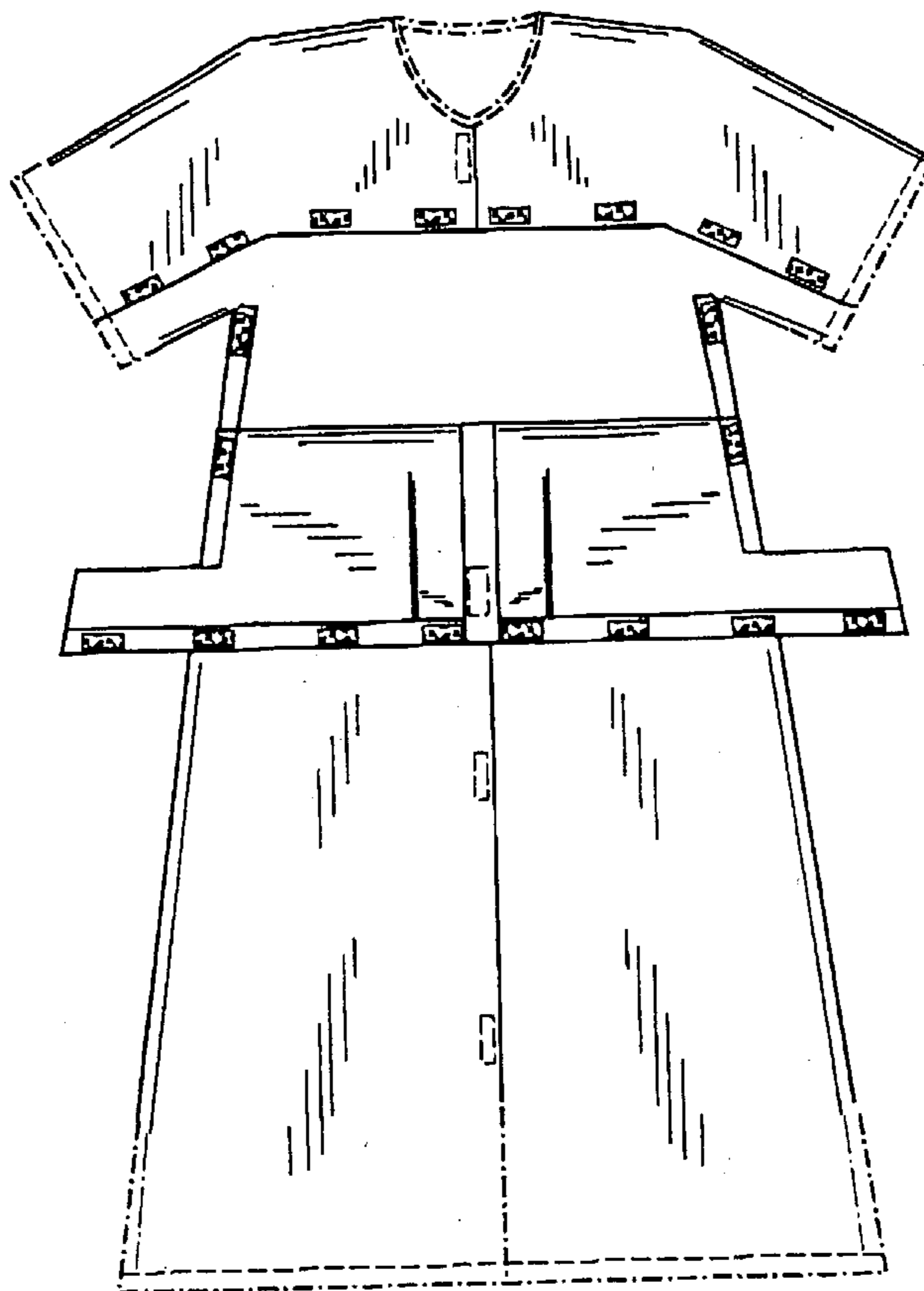
The broken lines are for illustrative purposes only and form no part of the claimed design.

(56) **References Cited**

U.S. PATENT DOCUMENTS

D419,748 S * 2/2000 Sartori D2/720

1 Claim, 2 Drawing Sheets



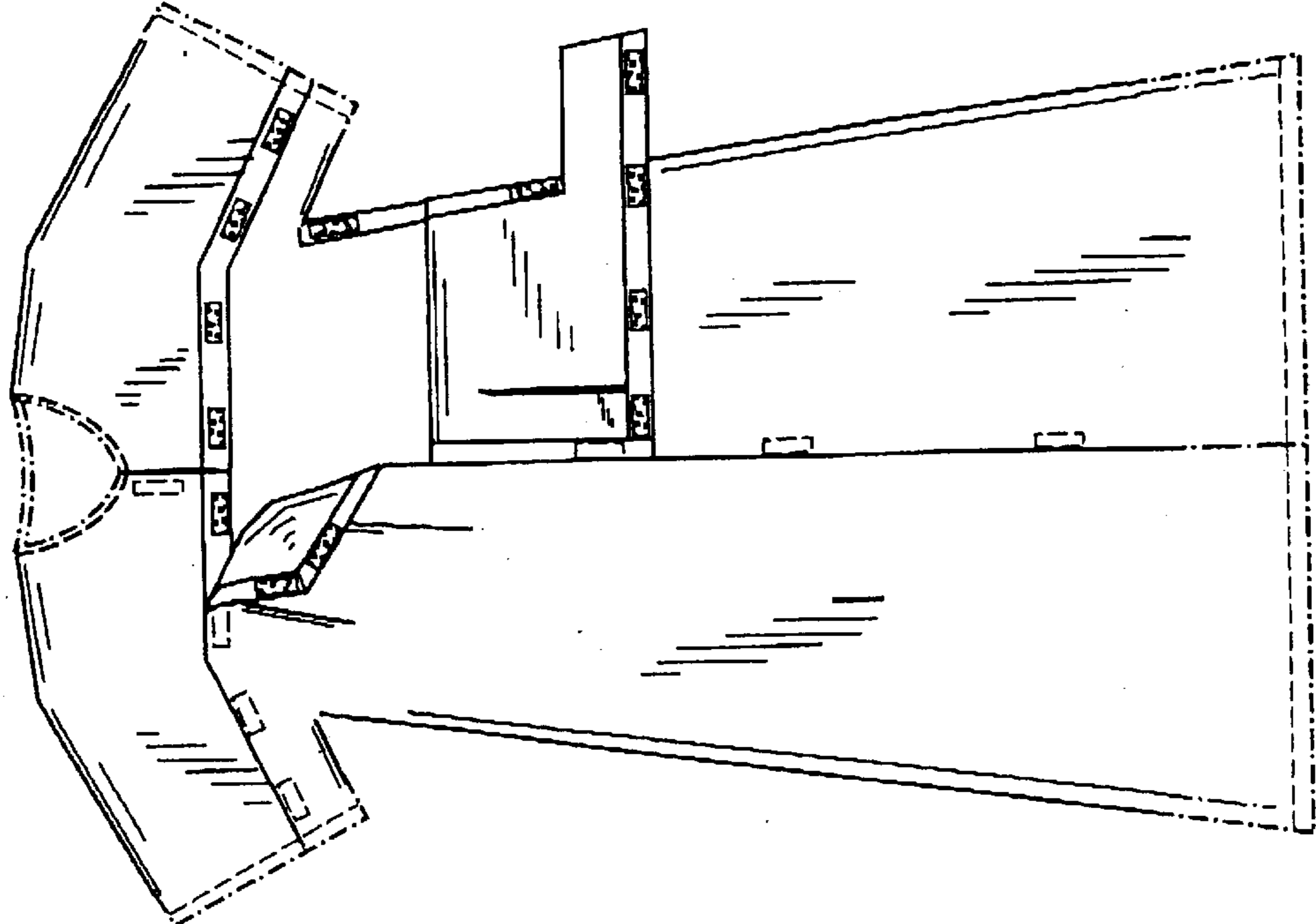


FIGURE 2

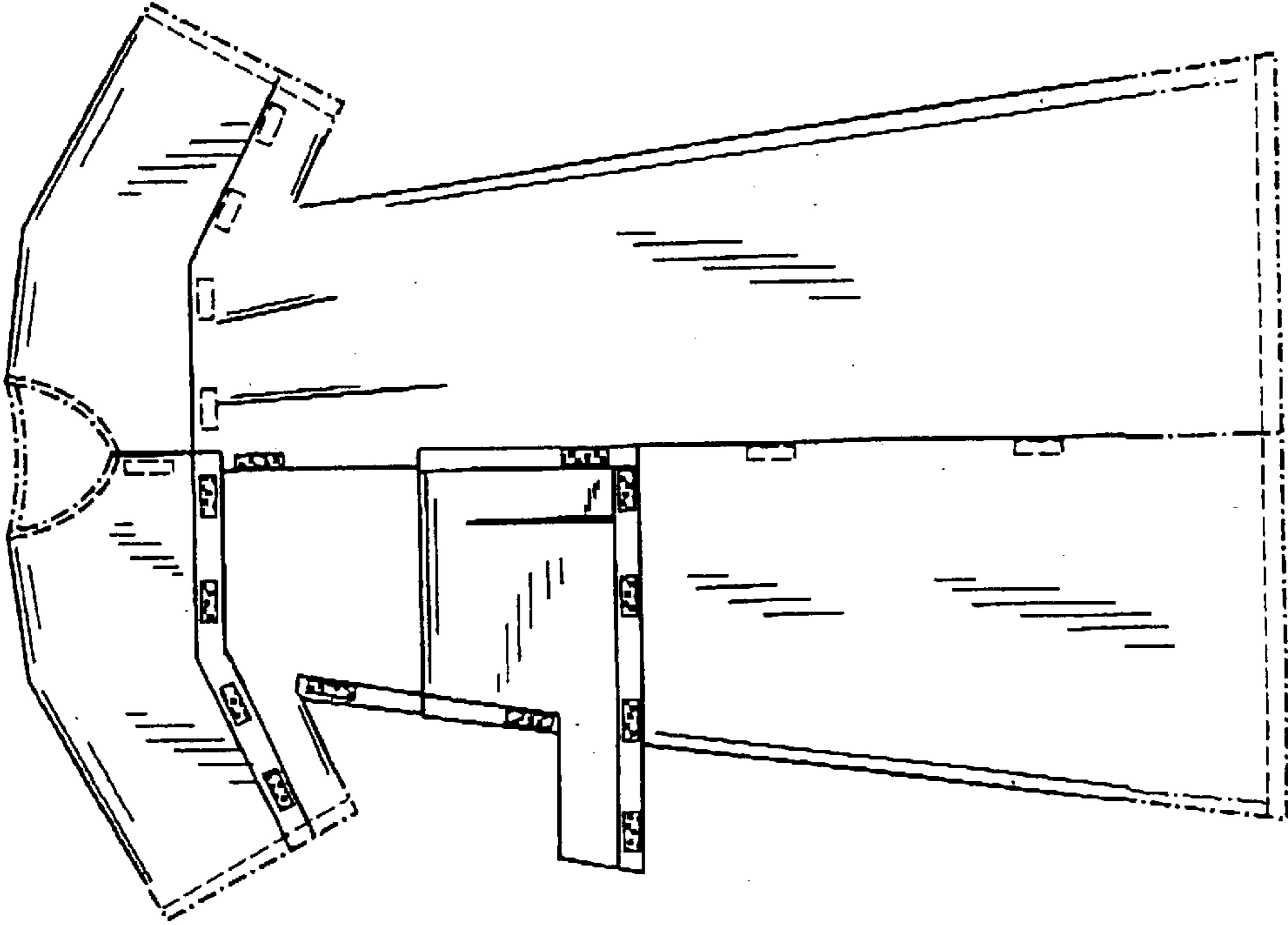


FIGURE 1

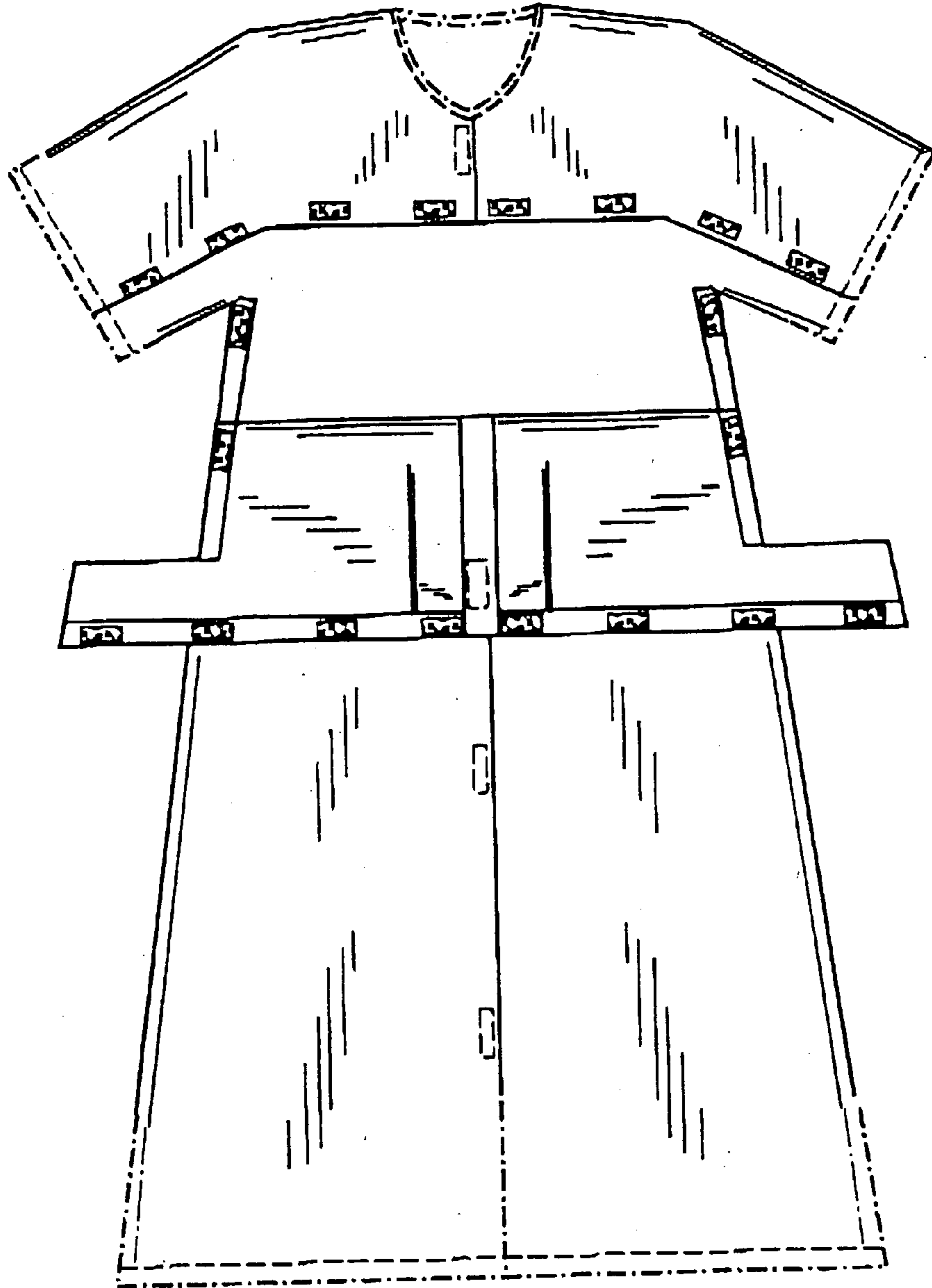


FIGURE 3