

US00D495465S1

(12) **United States Design Patent**  
Tepper et al.

(10) **Patent No.:** US D495,465 S  
(45) **Date of Patent:** \*\* Sep. 7, 2004

(54) **PET CHEW WITH 6 BUTTONS**  
(75) Inventors: **Jacob Tepper**, Boca Raton, FL (US);  
**Steven Mendal**, New York, NY (US);  
**Dean Triandafellos**, Freehold, NJ (US)

(73) Assignee: **Petra Pet, Inc.**, Carlstadt, NJ (US)

(\*\*) Term: **14 Years**

(21) Appl. No.: **29/179,417**

(22) Filed: **Apr. 9, 2003**

(51) **LOC (7) Cl.** ..... **01-01**

(52) **U.S. Cl.** ..... **D1/199; D30/160; D1/127;**  
D1/130

(58) **Field of Search** ..... D30/160; 119/702,  
119/707-711; 446/46, 48; D21/444, 824;  
D11/119-121; D24/101-102; 424/464,  
467; D1/100, 104, 106, 109, 110, 120,  
124-130, 199; 426/92, 104, 284, 499, 500,  
512, 513, 514, 516-517, 805-806, 808,  
390

(56) **References Cited**

**U.S. PATENT DOCUMENTS**

3,594,945 A \* 7/1971 Turney ..... 446/48  
4,260,635 A 4/1981 Fisher  
4,364,925 A 12/1982 Fisher  
4,921,714 A 5/1990 Matthews et al.  
4,973,284 A \* 11/1990 Sassak ..... 446/48  
D330,226 S \* 10/1992 Rojas ..... D21/444

5,358,440 A \* 10/1994 Zheng ..... 446/46  
D387,513 S \* 12/1997 Mauldin, Jr. .... D30/160  
D406,078 S \* 2/1999 Rauch et al. .... D11/120  
5,897,893 A 4/1999 Mohilef  
6,129,053 A 10/2000 Markham et al.  
6,202,598 B1 3/2001 Willinger  
6,238,715 B1 5/2001 Baikie  
6,277,420 B1 8/2001 Anderson et al.  
D475,504 S \* 6/2003 Hodgdon ..... D1/130  
6,672,253 B1 \* 1/2004 Viola ..... 119/709  
D487,327 S \* 3/2004 Andersen et al. .... D1/199

\* cited by examiner

*Primary Examiner*—Cathy Anne MacCormac

(74) *Attorney, Agent, or Firm*—Weingram & Associates  
P.C.

(57) **CLAIM**

We claim the ornamental design for a pet chew with 6 buttons, as shown and described.

**DESCRIPTION**

FIG. 1 is a perspective view of a pet chew with 6 buttons of the invention;

FIG. 2 is a top plan view thereof;

FIG. 3 is a bottom plan view thereof;

FIG. 4 is a front elevational view thereof;

FIG. 5 is a rear elevational view thereof;

FIG. 6 is a right side elevational view thereof; and,

FIG. 7 is a left side elevational view thereof.

**1 Claim, 3 Drawing Sheets**

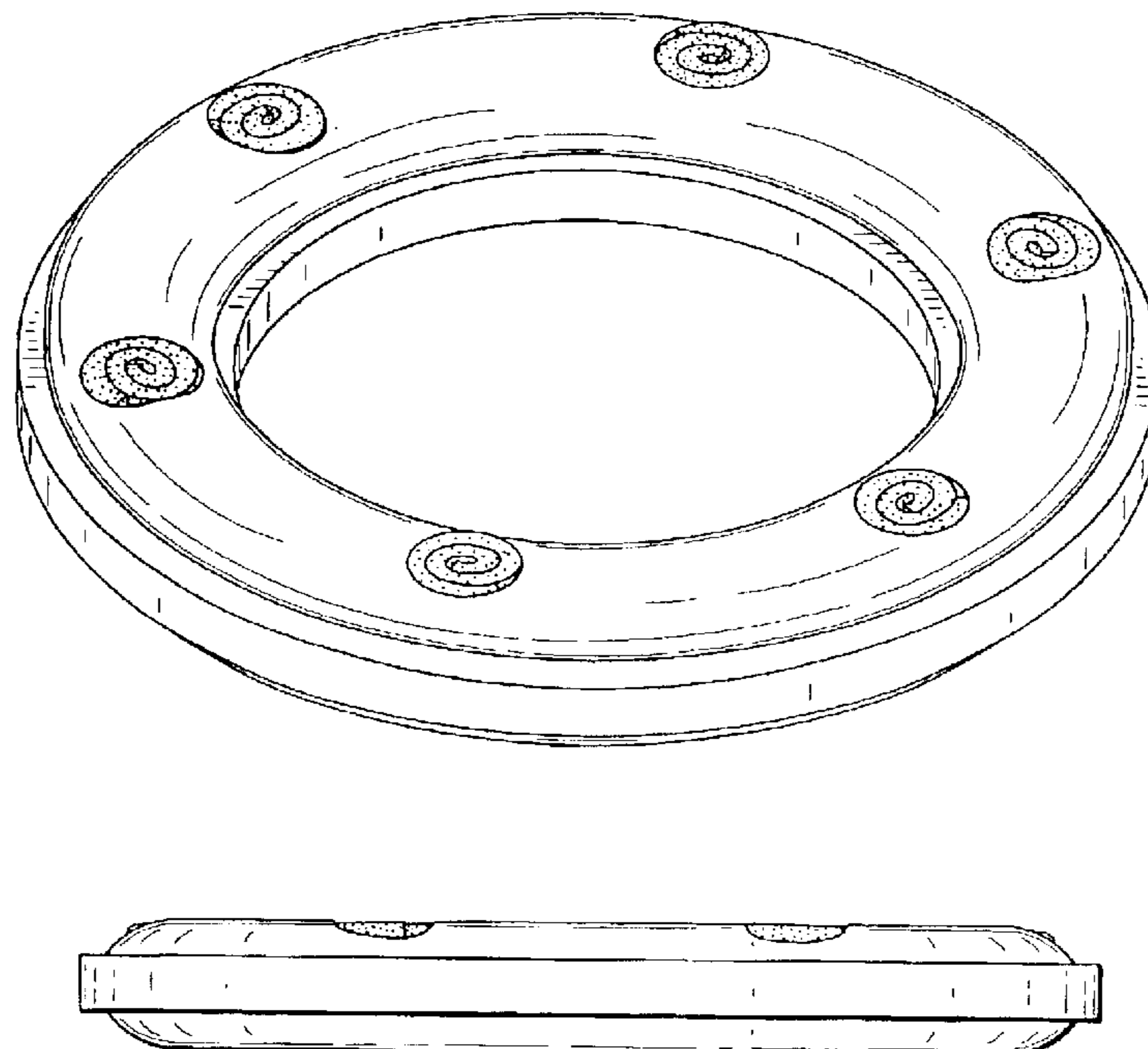


FIG. 1

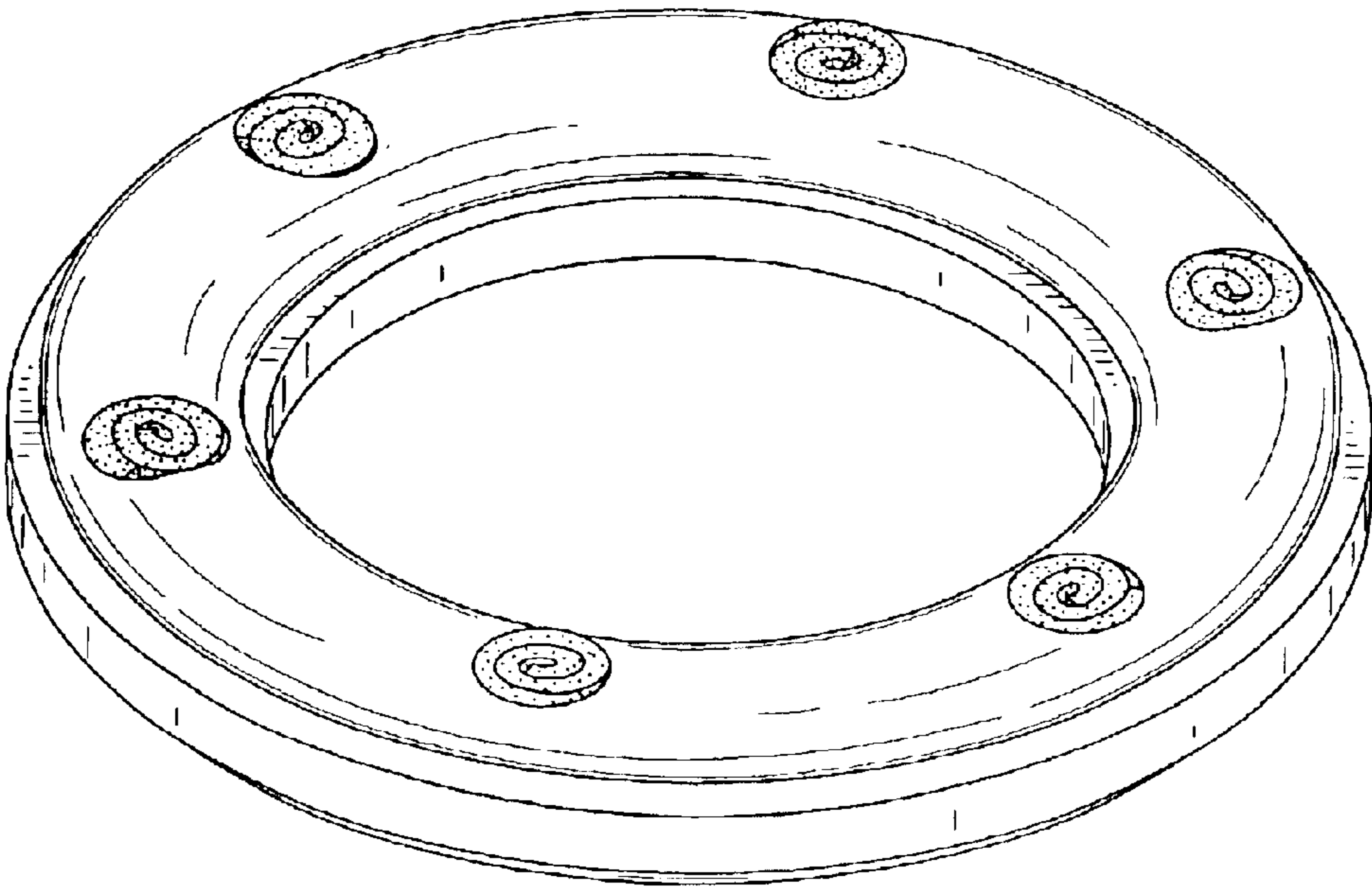


FIG. 2

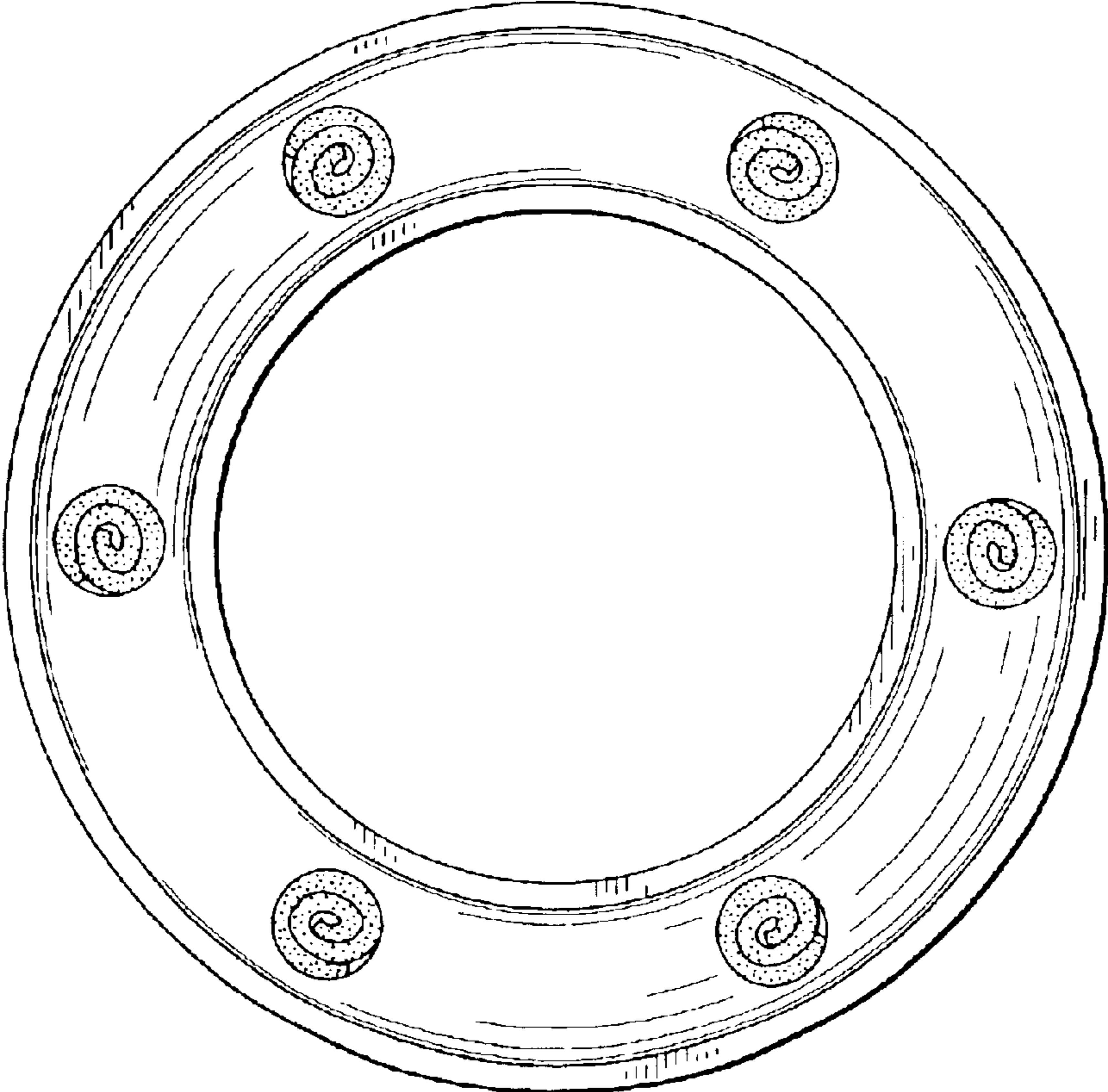


FIG. 3

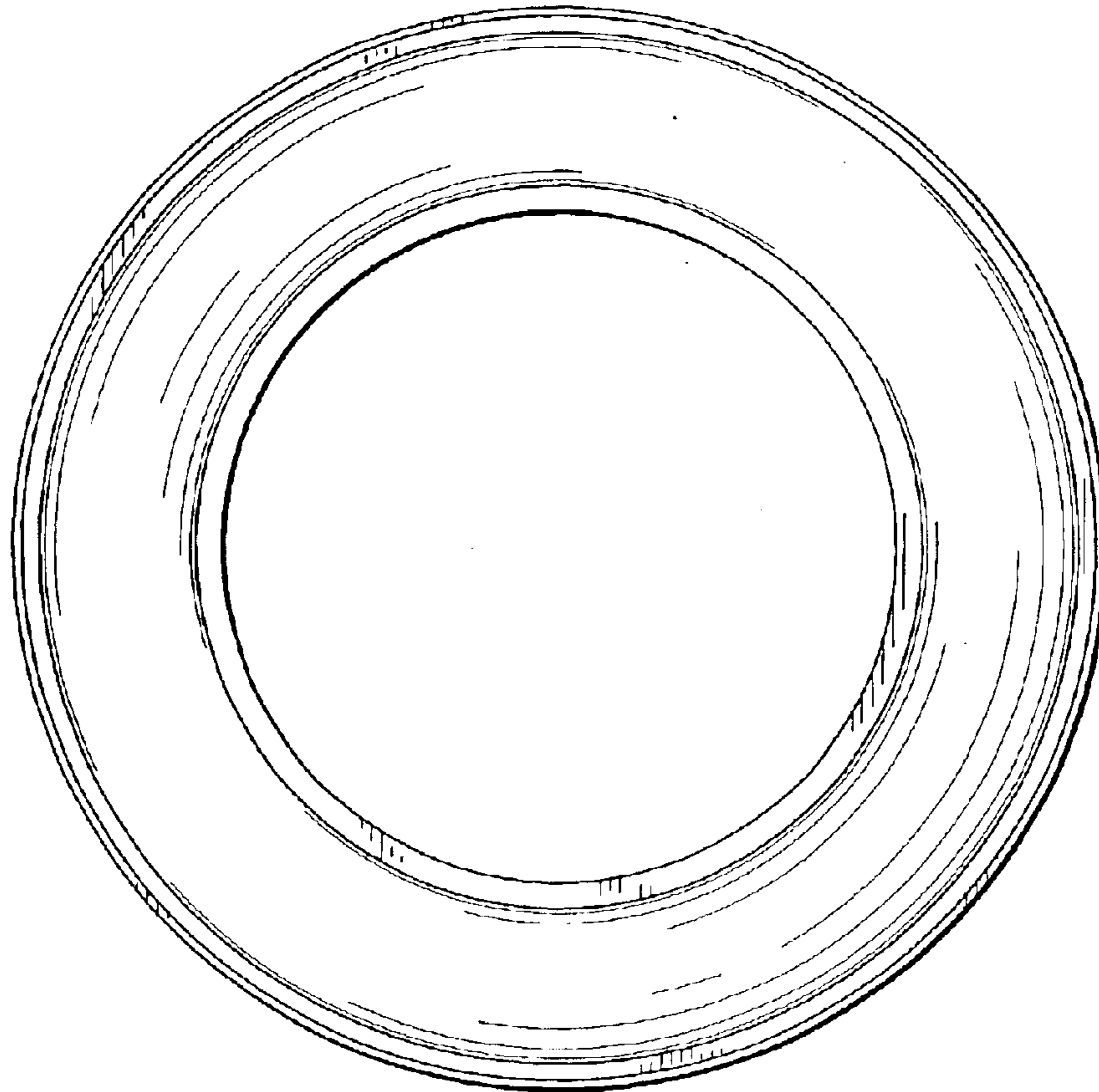


FIG. 4

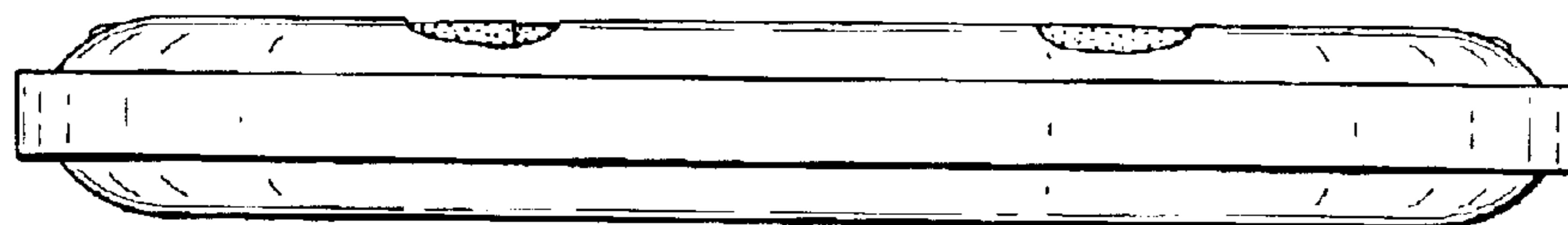


FIG. 5

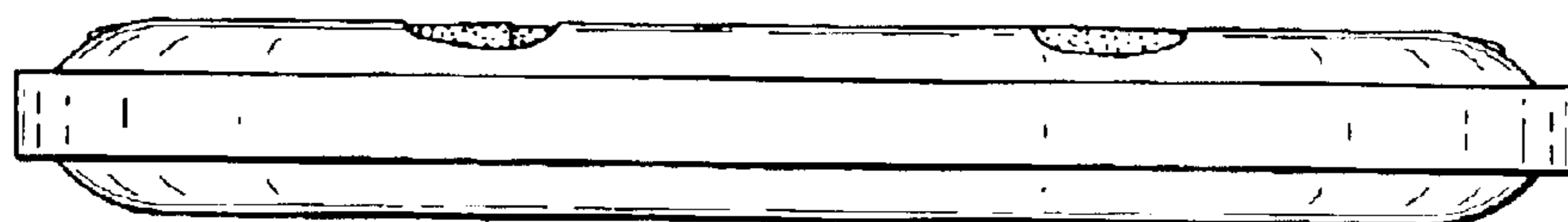


FIG. 6

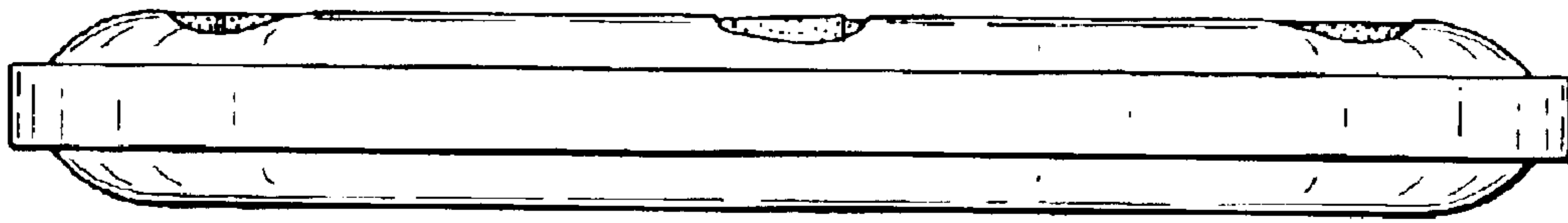


FIG. 7

