

US00D495462S1

(12) **United States Design Patent**
Haro

(10) **Patent No.:** **US D495,462 S**

(45) **Date of Patent:** **** Sep. 7, 2004**

(54) **WAND-SHAPED FOOD PRODUCT**

(75) **Inventor:** **Guillermo Haro, Skokle, IL (US)**

(73) **Assignee:** **Kraft Foods Holdings, Inc., Northfield, IL (US)**

(**) **Term:** **14 Years**

(21) **Appl. No.:** **29/189,067**

(22) **Filed:** **Aug. 28, 2003**

(51) **LOC (7) Cl.** **01-01**

(52) **U.S. Cl.** **D1/106; D1/126**

(58) **Field of Search** **D1/106, 126; D21/386, D21/402; D11/70; 426/104**

(56) **References Cited**

U.S. PATENT DOCUMENTS

| | | | | |
|------------|---|---------|---------------------|---------|
| D317,183 S | * | 5/1991 | Neuroth et al. | D21/402 |
| D324,753 S | | 3/1992 | Meyers, Jr. et al. | |
| D325,804 S | | 5/1992 | Meyers, Jr. et al. | |
| D326,553 S | | 6/1992 | Meyers, Jr. et al. | |
| D374,573 S | | 10/1996 | Brunner et al. | |
| D380,886 S | | 7/1997 | Hauser et al. | |
| D381,185 S | | 7/1997 | Hauser et al. | |

| | | | | |
|------------|---|---------|---------------------|--------|
| D381,486 S | | 7/1997 | Hauser et al. | |
| D392,435 S | | 3/1998 | Mocking et al. | |
| D394,535 S | * | 5/1998 | Villota et al. | D1/126 |
| D417,332 S | | 12/1999 | Dawe et al. | |
| D437,101 S | | 2/2001 | Debbouz et al. | |

* cited by examiner

Primary Examiner—Pamela Burgess

(74) *Attorney, Agent, or Firm*—Fitch, Even, Tabin & Flannery

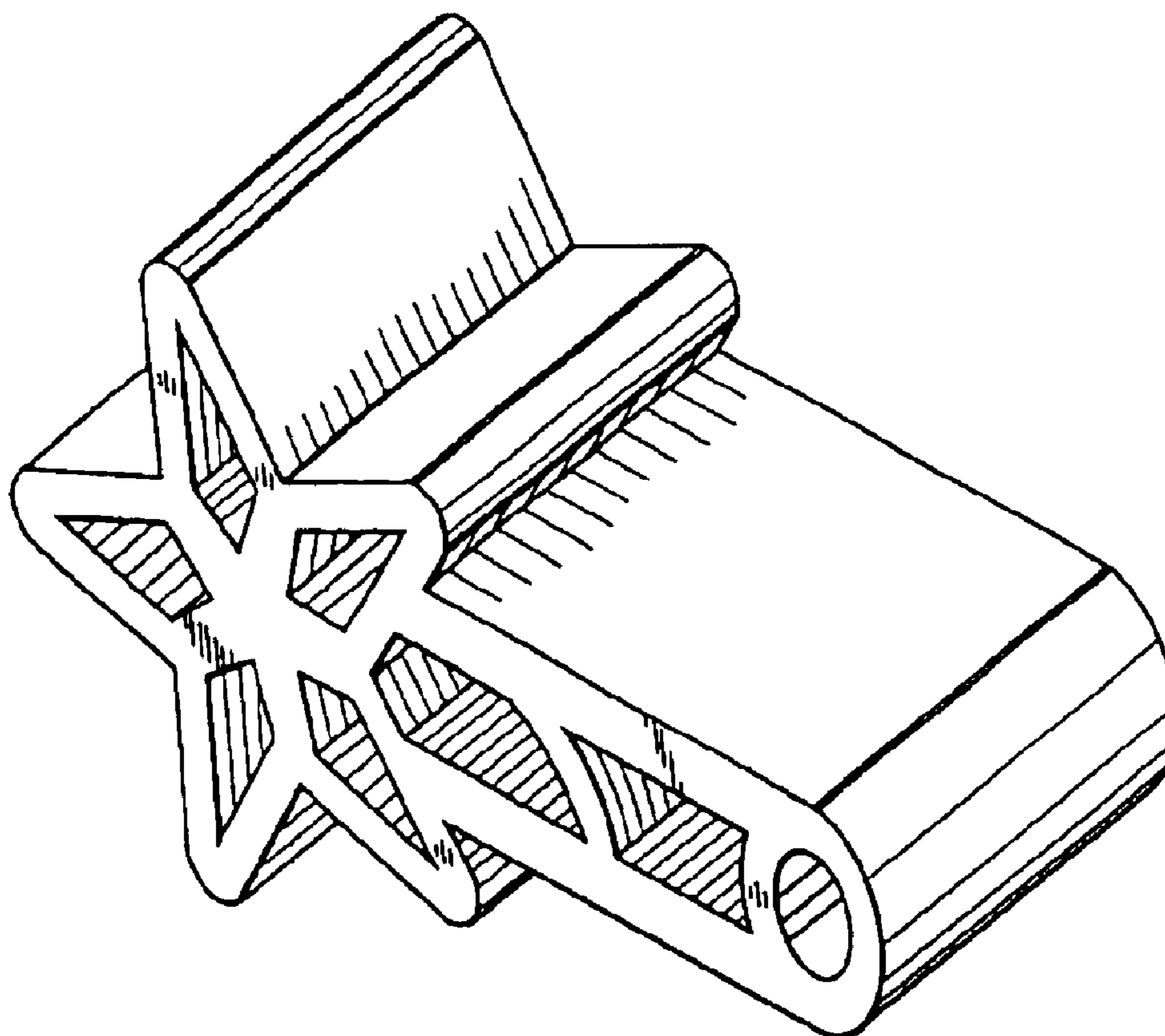
(57) **CLAIM**

The ornamental design for a wand-shaped food product, as shown and described.

DESCRIPTION

FIG. 1 is a top perspective view of a wand-shaped food product showing my new design;
 FIG. 2 is a front elevational view thereof, the rear elevational view being identical;
 FIG. 3 is a left side elevational view thereof;
 FIG. 4 is a right side elevational view thereof; and,
 FIG. 5 is a top plan view thereof, the bottom plan view being identical.

1 Claim, 1 Drawing Sheet



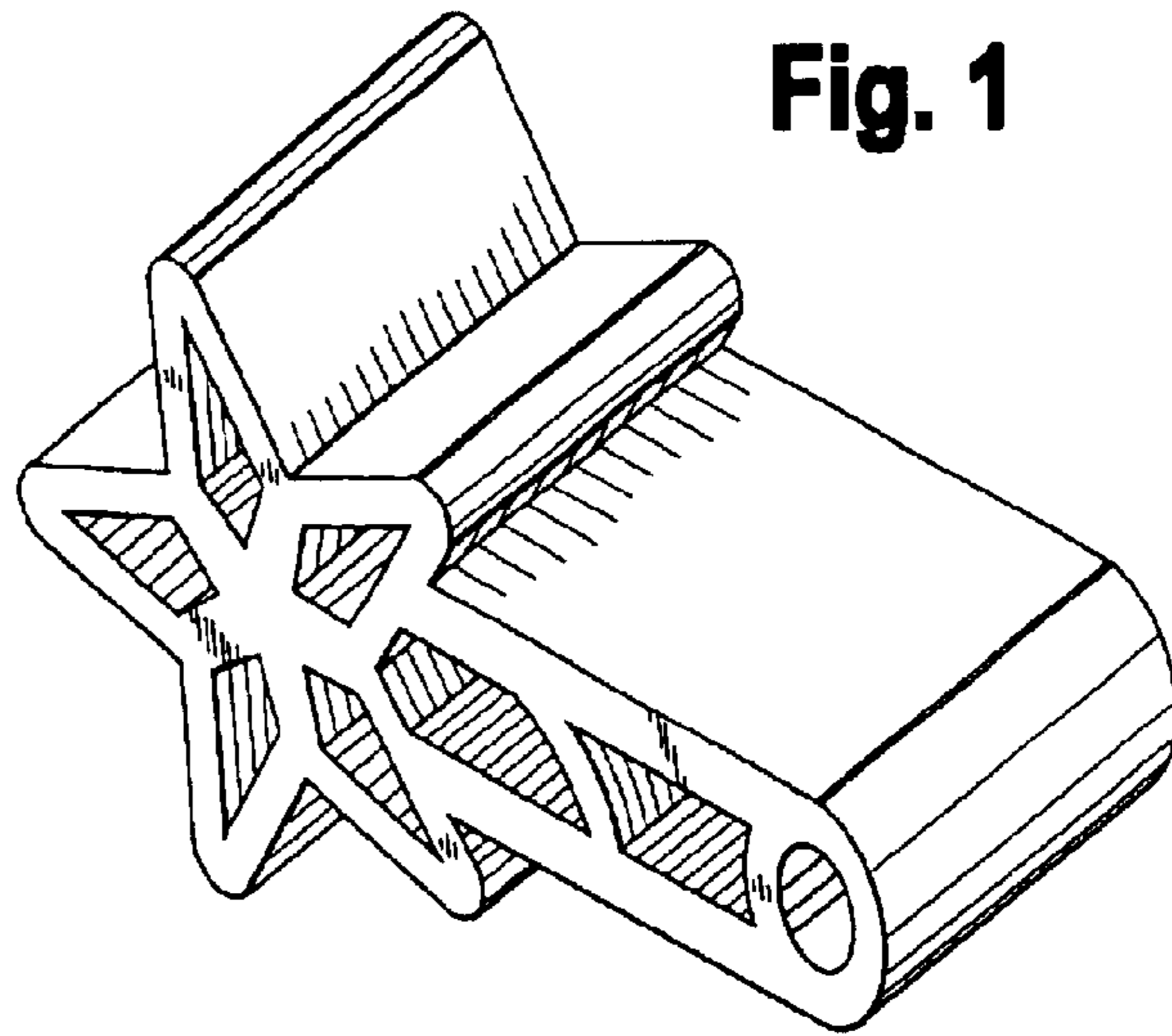


Fig. 1

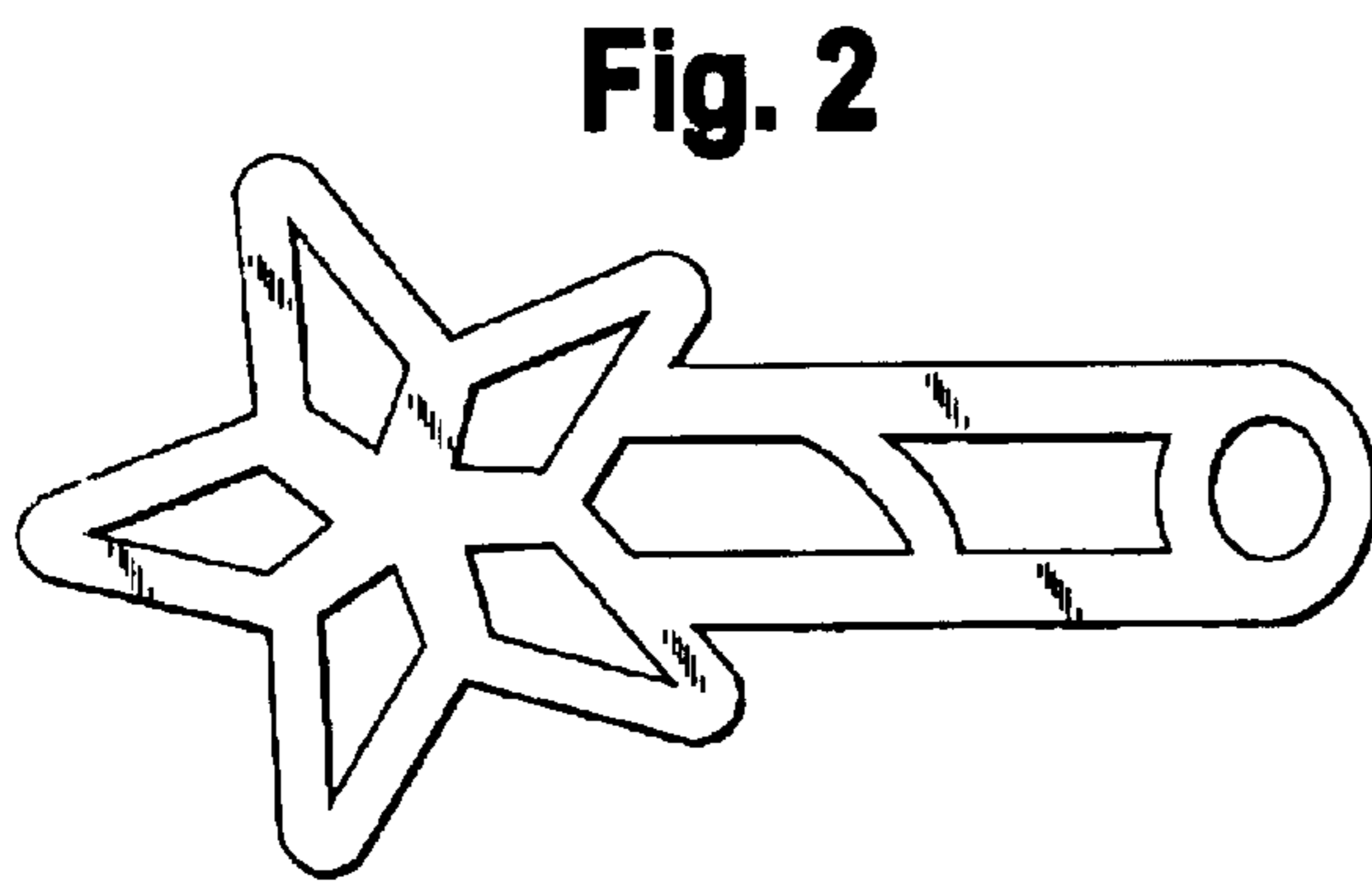


Fig. 2

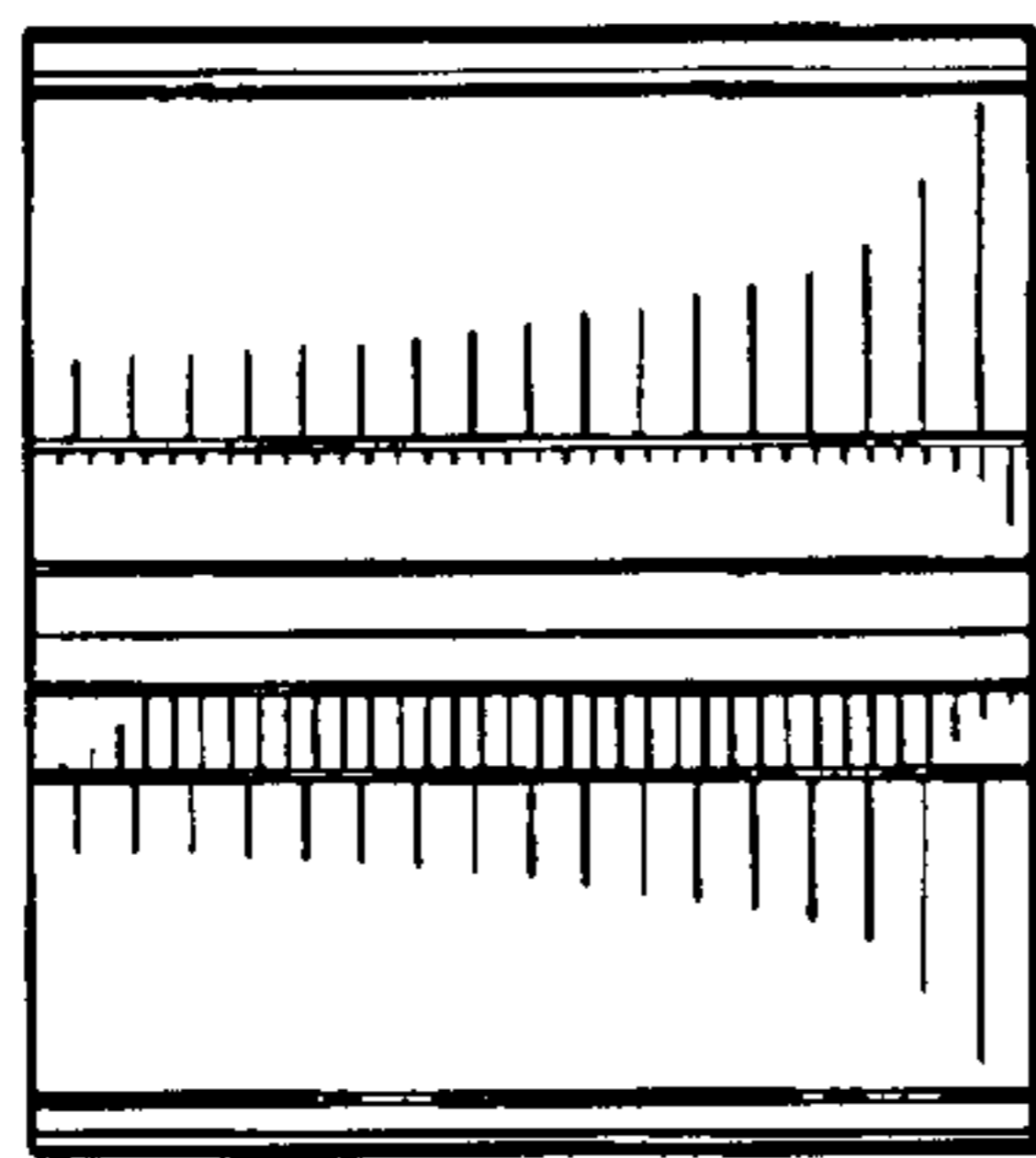


Fig. 3

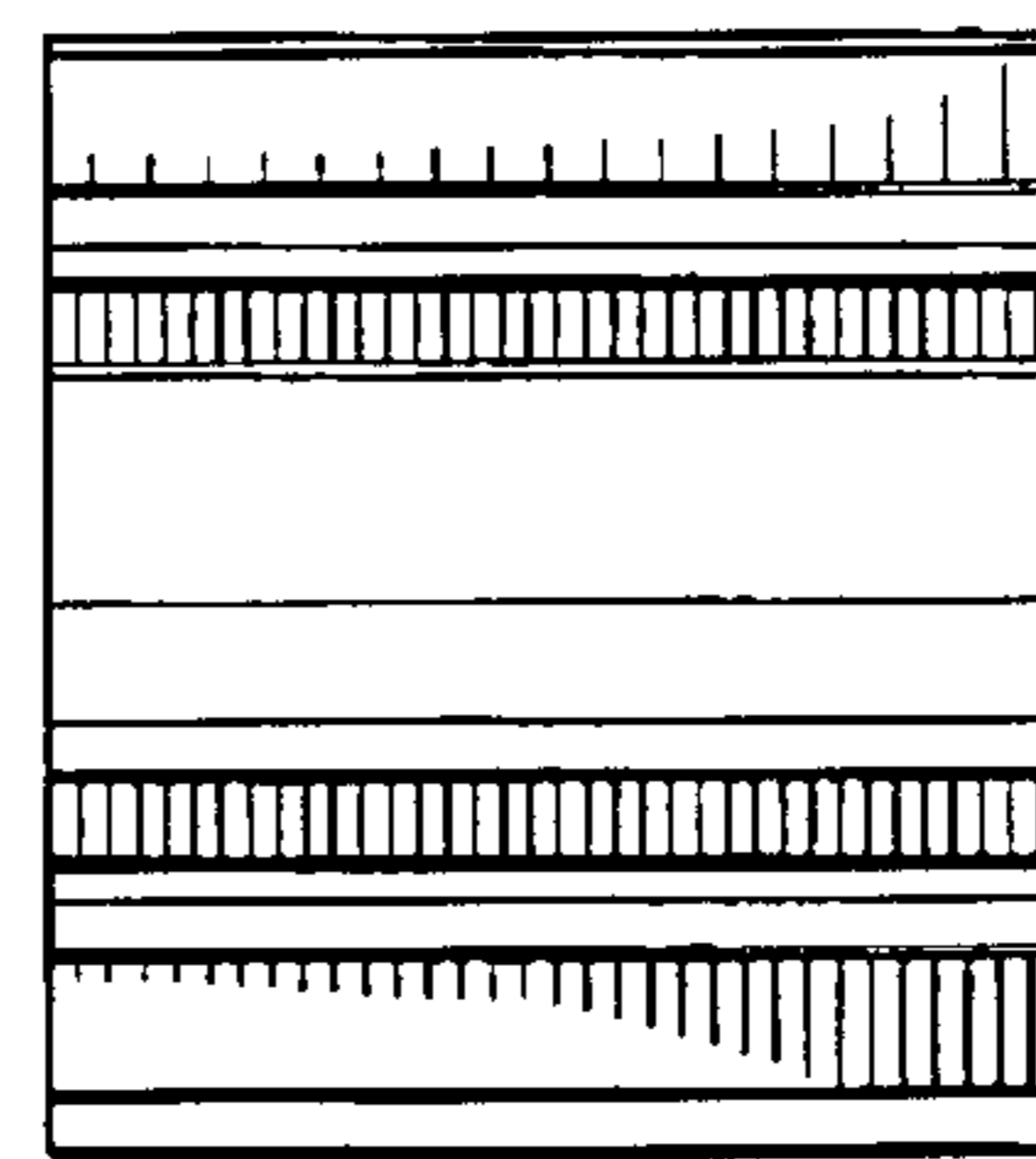


Fig. 4

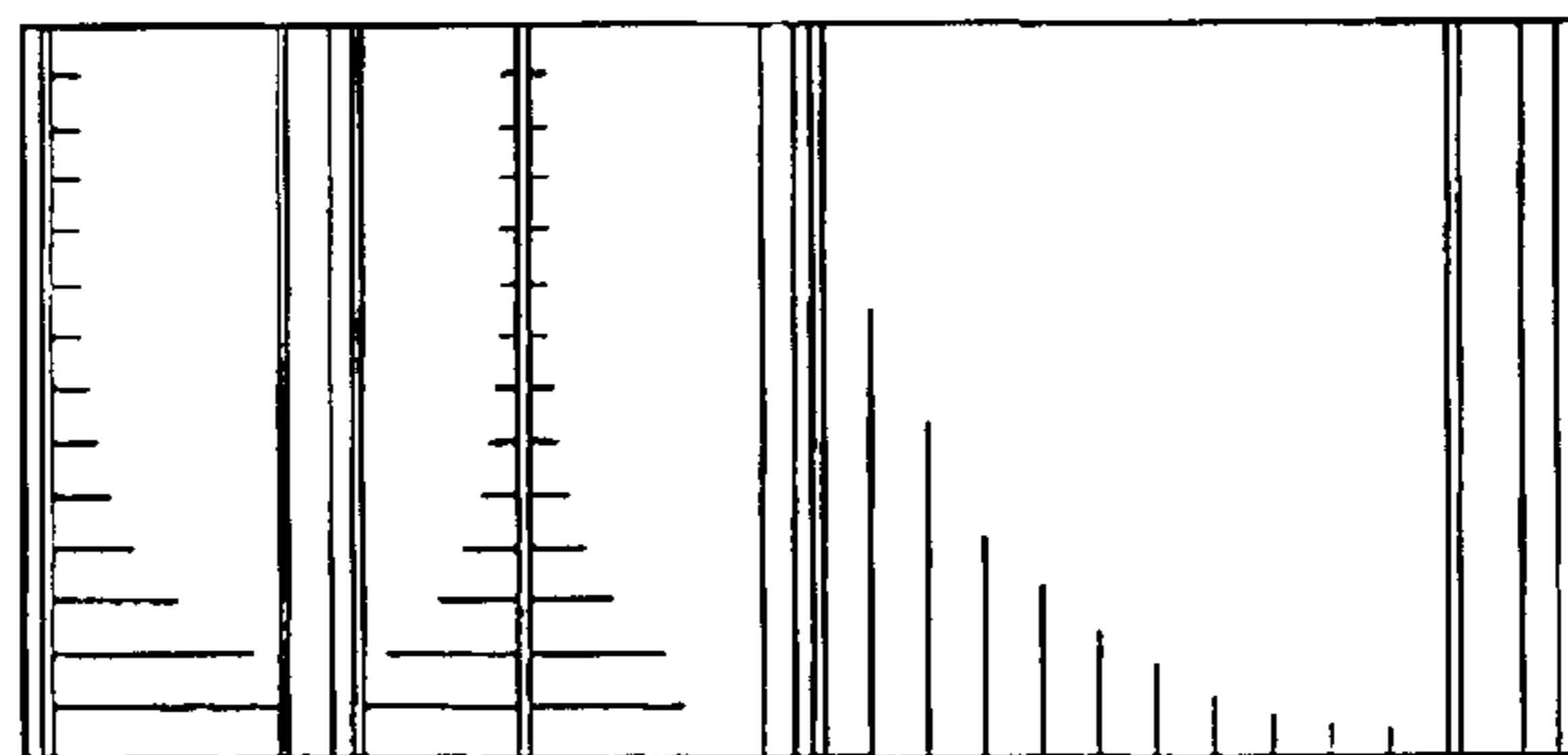


Fig. 5