

US00D495460S1

(12) **United States Design Patent** (10) **Patent No.:** **US D495,460 S**
Apps et al. (45) **Date of Patent:** **** Aug. 31, 2004**

(54) **PALLET**
(75) Inventors: **William P. Apps**, Alpharetta, GA (US);
Sean T. Ogburn, Lawrenceville, GA (US)
(73) Assignee: **Rehrig Pacific Company**, Los Angeles, CA (US)
(**) Term: **14 Years**
(21) Appl. No.: **29/183,763**
(22) Filed: **Jun. 17, 2003**

5,845,588 A 12/1998 Gronnevik
5,868,080 A 2/1999 Wyler et al.
5,894,803 A 4/1999 Kuga
5,937,767 A 8/1999 Togawa et al.
5,967,057 A 10/1999 Nakayama et al.
6,095,061 A 8/2000 Perazzo
6,125,770 A 10/2000 Brandenburg
6,173,657 B1 1/2001 Espejo
6,199,488 B1 3/2001 Favaron et al.
6,250,234 B1 6/2001 Apps
D445,985 S * 7/2001 Paxton D34/38
6,283,044 B1 9/2001 Apps
6,354,230 B1 3/2002 Maschio
6,357,366 B1 3/2002 Frankenberg
D458,000 S * 5/2002 Medoff et al. D34/38
D476,789 S * 7/2003 Apps et al. D34/38
D479,379 S * 9/2003 Yamanouchi et al. D34/38

Related U.S. Application Data

(63) Continuation of application No. 29/152,661, filed on Dec. 18, 2001, now Pat. No. Des. 476,789.
(51) **LOC (7) Cl.** **09-08**
(52) **U.S. Cl.** **D34/38**
(58) **Field of Search** D34/38; 108/51.1,
108/56.1, 901, 56.3, 51, 57.1, 53.3, 52.1;
248/346.06, 346.01

FOREIGN PATENT DOCUMENTS

DE 26 13 083 6/1977
DE 27 33 457 7/1977
DE 3205910 11/1983
EP 0 301 445 7/1987
WO WO 00/06458 7/1998

* cited by examiner

Primary Examiner—Cynthia E. Ramirez

(56) **References Cited**

U.S. PATENT DOCUMENTS

2,991,965 A 7/1961 Drieborg
3,126,843 A 3/1964 DeLaney
3,481,285 A 12/1969 Yellin
3,638,586 A 2/1972 Elshout
3,720,176 A 3/1973 Munroe
3,759,194 A 9/1973 Fujii et al.
3,795,206 A 3/1974 Utz
3,938,448 A 2/1976 Nishitani et al.
4,051,787 A 10/1977 Nishitani et al.
D246,296 S 11/1977 Fujii et al.
4,230,050 A 10/1980 Mays
4,230,051 A 10/1980 Mays
4,606,278 A 8/1986 Shuert
4,972,782 A 11/1990 Shepherd et al.
5,413,052 A 5/1995 Breezer et al.
D371,882 S 7/1996 Kristofferson
5,736,221 A 4/1998 Hardigg et al.
5,806,436 A 9/1998 Weichenrieder, Sr. et al.

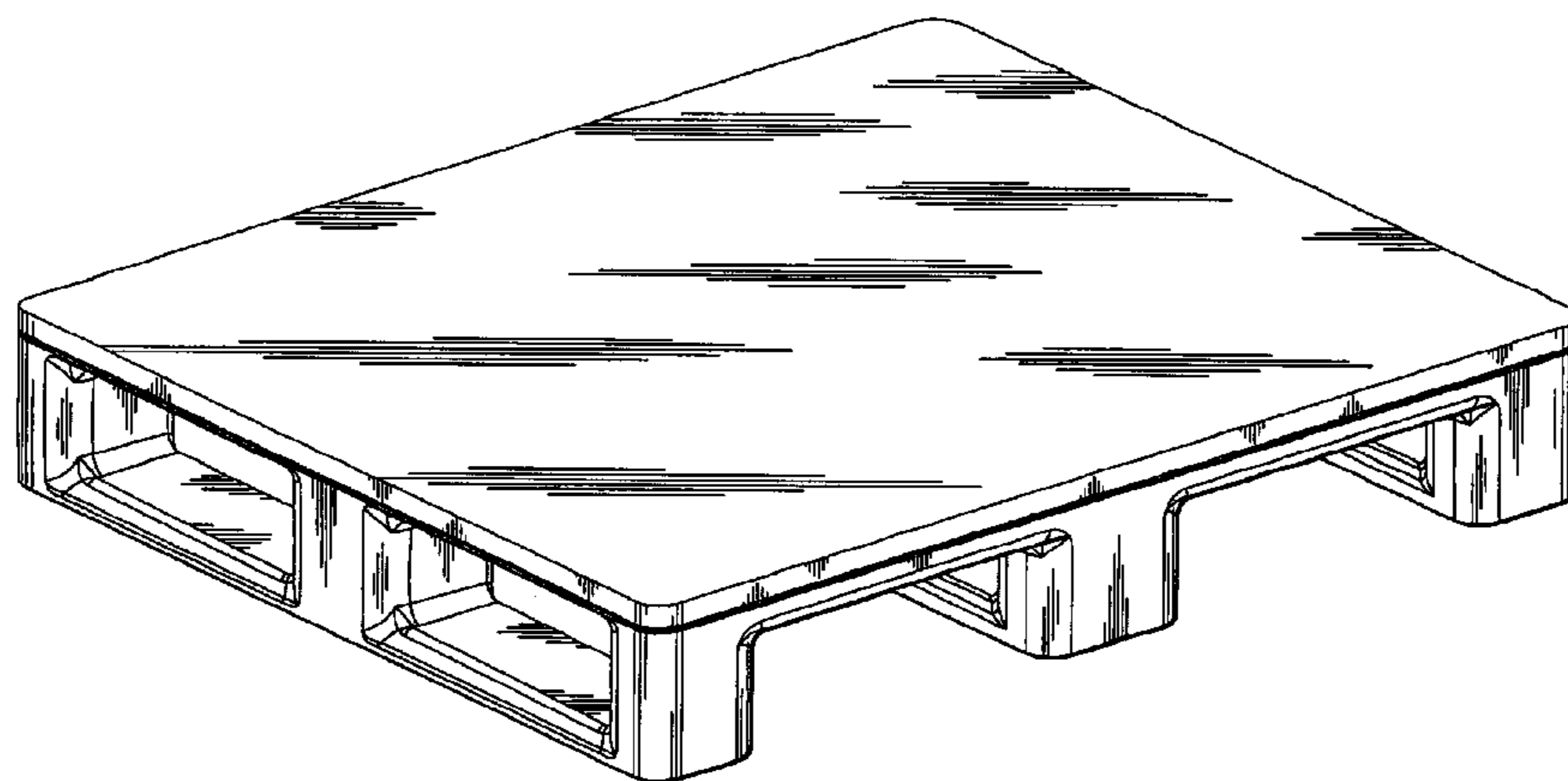
(57) **CLAIM**

The ornamental design for a pallet, as shown and described.

DESCRIPTION

FIG. 1 is a perspective view of the pallet showing my new design;
FIG. 2 is a top plan view thereof;
FIG. 3 is a bottom plan view thereof;
FIG. 4 is a front elevational view thereof, the rear elevational view being a mirror image thereof; and,
FIG. 5 is a left side elevational view thereof, the right side being a mirror image thereof.
The broken lines shown are for environmental purposes only and are not part of the claimed design.

1 Claim, 5 Drawing Sheets



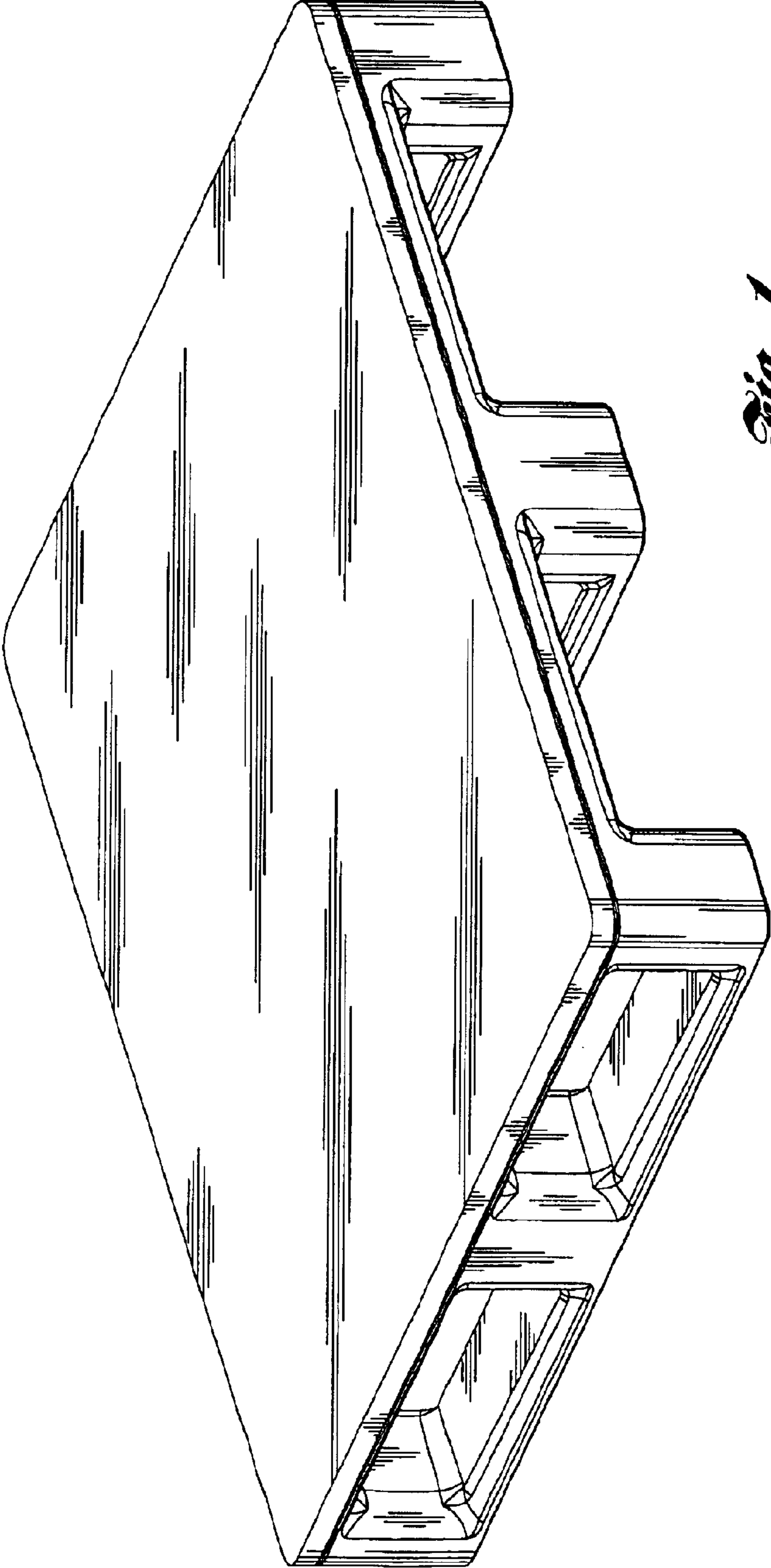


Fig. 1

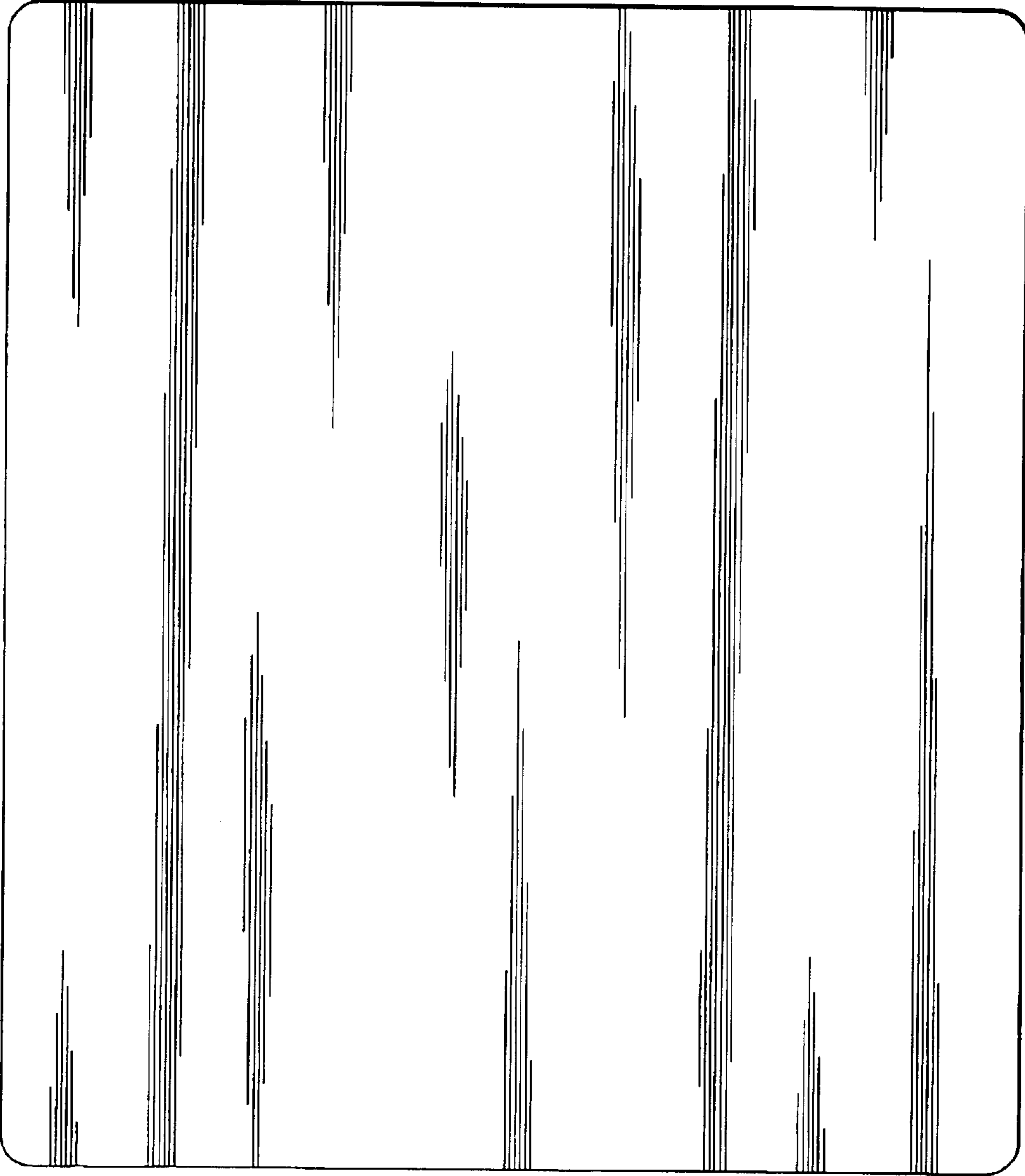


Fig. 2

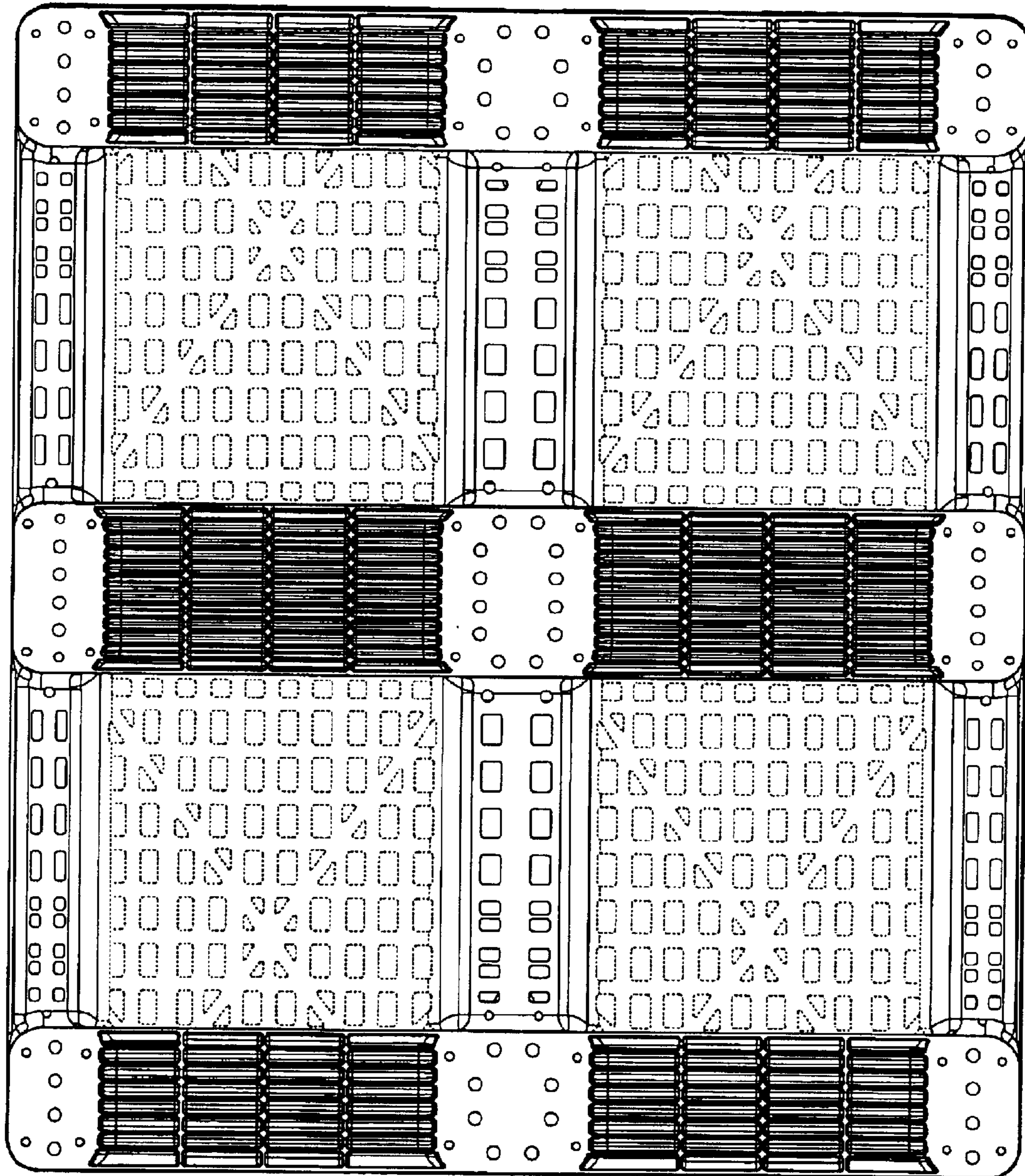


Fig. 3

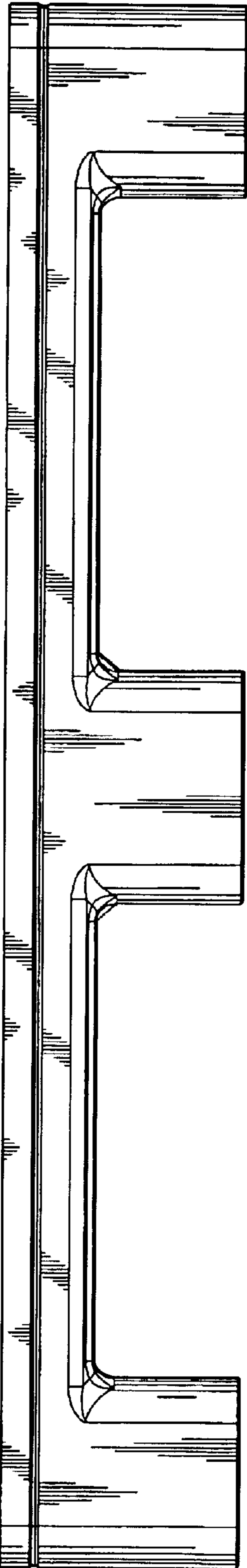


Fig. 4

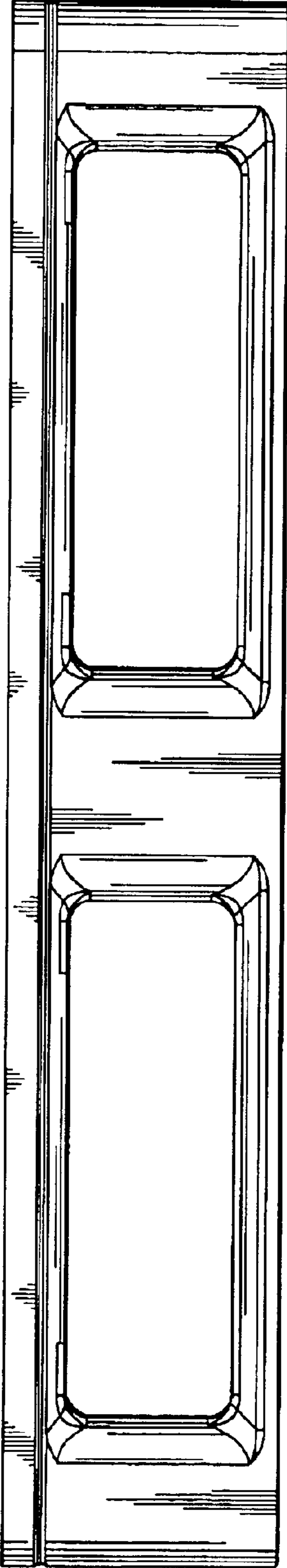


Fig. 5