

US00D495458S1

(12) **United States Design Patent**
Baldinger et al.

(10) **Patent No.: US D495,458 S**
(45) **Date of Patent: ** Aug. 31, 2004**

(54) **FILTER CUP ASSEMBLY FOR A VACUUM CLEANER**

(76) Inventors: **Russell L. Baldinger**, 11988 Main St., Adelphi, OH (US) 43101; **Danny Lamer**, 961 Juge Allard, Berthierville Quebec (CA), J0K 1A0

(**) Term: **14 Years**

(21) Appl. No.: **29/183,099**

(22) Filed: **Jun. 5, 2003**

(51) **LOC (7) Cl.** **15-05**

(52) **U.S. Cl.** **D32/31; D32/30**

(58) **Field of Search** D32/25, 30-31, D32/17-18, 21-23; D30/158; D28/10; 15/344, 329, 347, 320, 350-353, 402, 361, 339; 55/DIG. 3, 472, 459.1, 429; 96/337; 95/268, 271

(56) **References Cited**

U.S. PATENT DOCUMENTS

D186,583 S	*	11/1959	Gaudry	D32/30
5,030,257 A	*	7/1991	Kasper et al.	96/333
D333,891 S	*	3/1993	Reed et al.	D32/30
5,259,854 A	*	11/1993	Newman	55/320
5,783,086 A	*	7/1998	Scanlon et al.	210/651
5,902,386 A	*	5/1999	Gustafson et al.	96/333
D425,677 S	*	5/2000	Williamson	D32/25
6,110,248 A	*	8/2000	Liu	55/490

6,113,663 A	*	9/2000	Liu	55/459.1
D437,466 S	*	2/2001	Song	D32/25
D453,595 S	*	2/2002	Stephens et al.	D32/30
6,391,101 B2	*	5/2002	Gustafson et al.	96/333
6,558,453 B2	*	5/2003	Sepke et al.	95/268
6,613,116 B2	*	9/2003	Oh	55/413

* cited by examiner

Primary Examiner—Ruth McInroy

(74) *Attorney, Agent, or Firm*—Francis T. Kremblas, Jr.; Kremblas, Foster, Phillips & Pollick

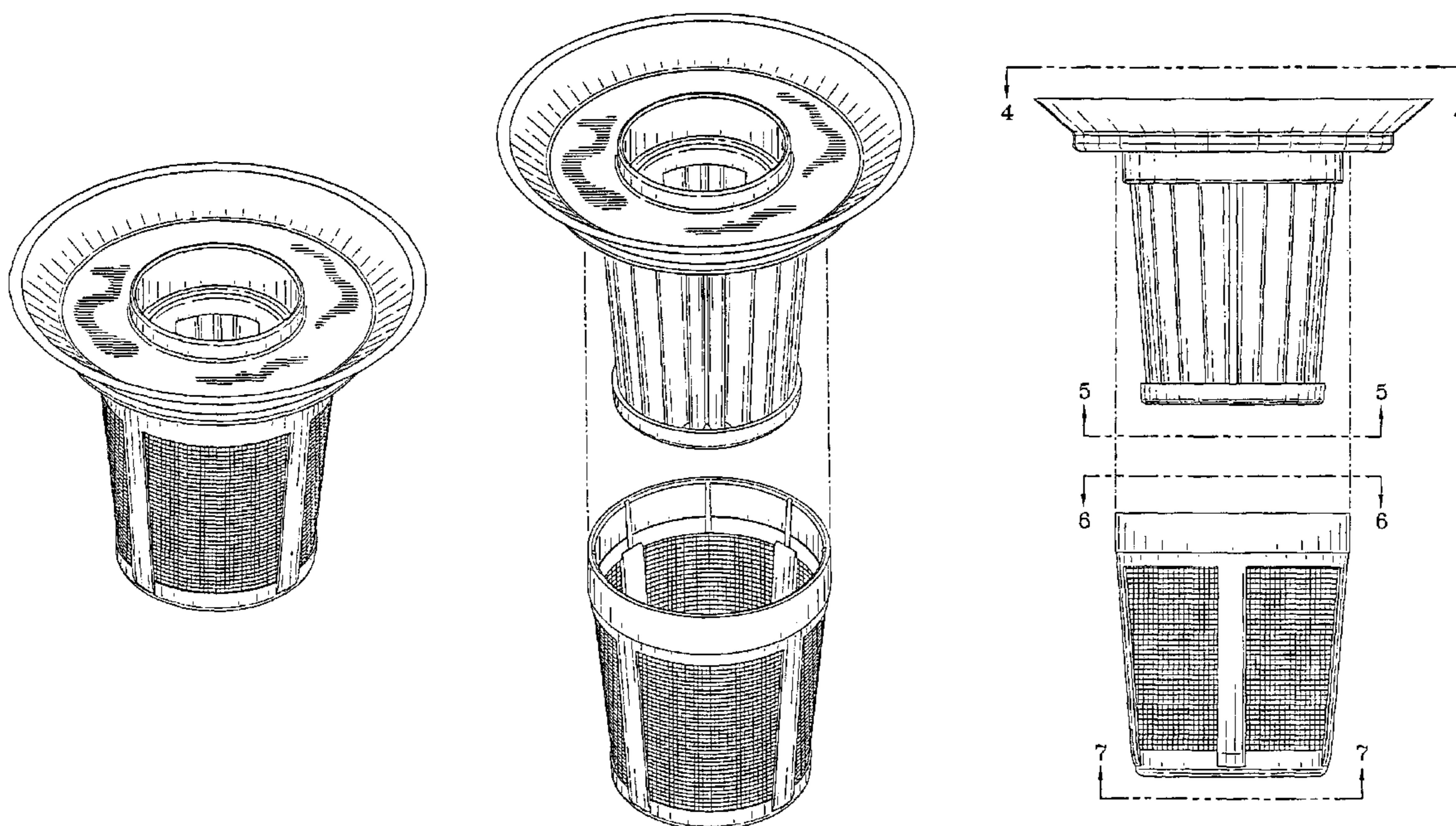
(57) **CLAIM**

The ornamental design for a filter cup assembly for a vacuum cleaner, as shown.

DESCRIPTION

FIG. 1 is a front perspective view of a filter cup assembly for a vacuum cleaner showing our new design;
 FIG. 2 is an exploded perspective view showing the filter holder and screen cover;
 FIG. 3 is an exploded front elevation view thereof;
 FIG. 4 is a bottom plan view of the filter holder, taken from the direction shown in FIG. 3;
 FIG. 5 is a top plan view of the filter holder, taken from the direction shown in FIG. 3;
 FIG. 6 is a bottom plan view of the screen cover, taken from the direction shown in FIG. 3; and,
 FIG. 7 is a top plan view of the screen cover, taken from the direction shown in FIG. 3.

1 Claim, 5 Drawing Sheets



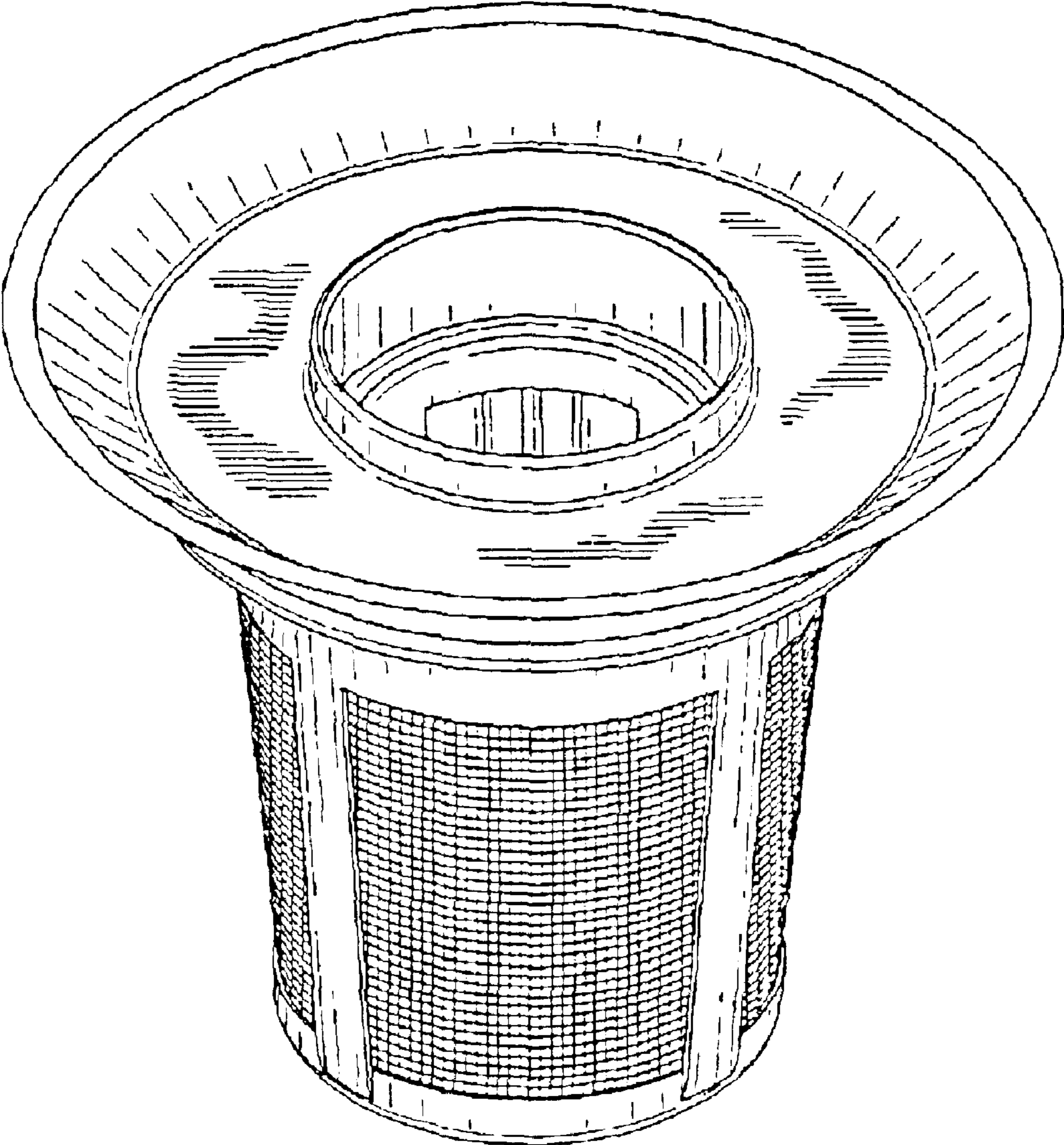


FIG-1

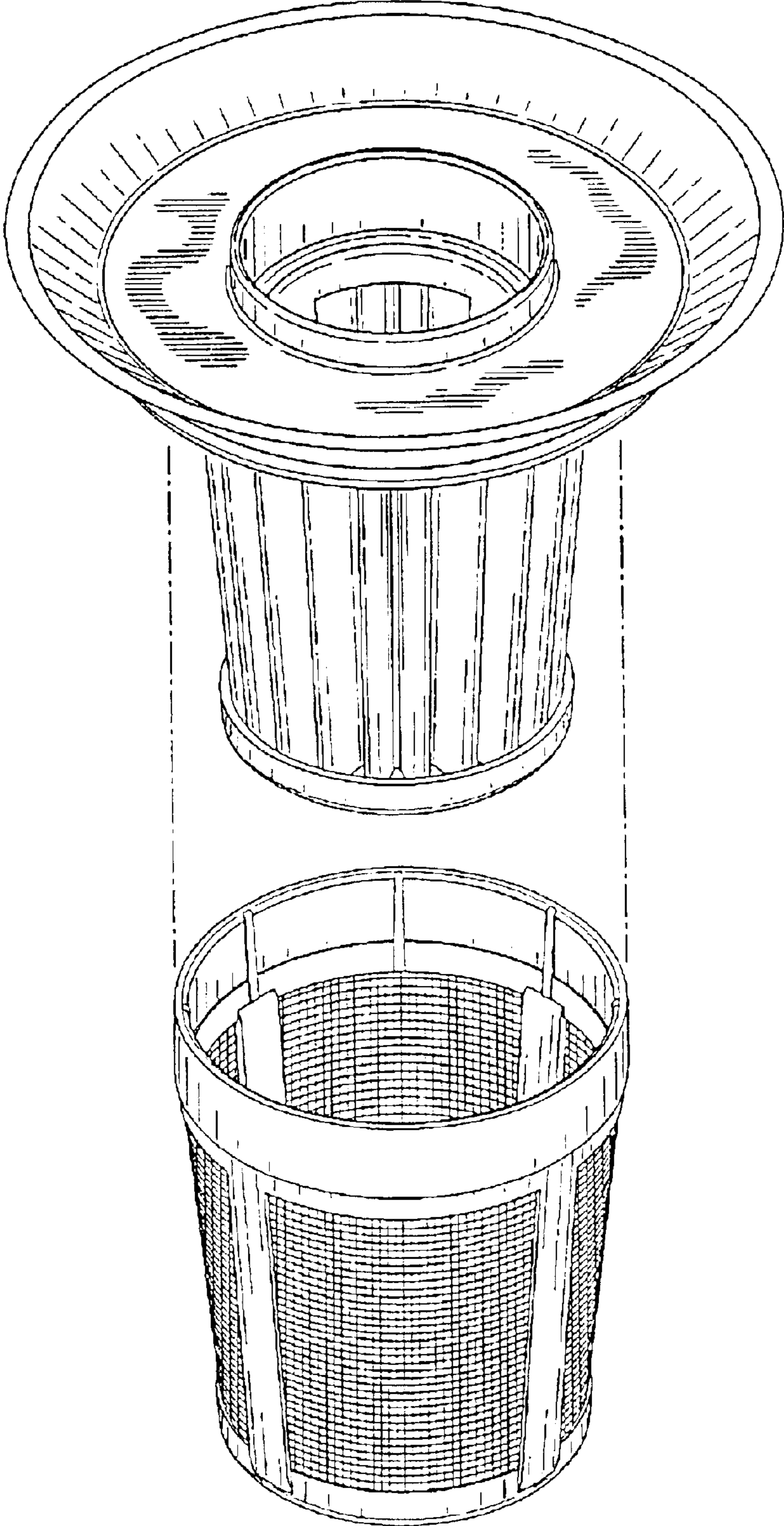


FIG-2

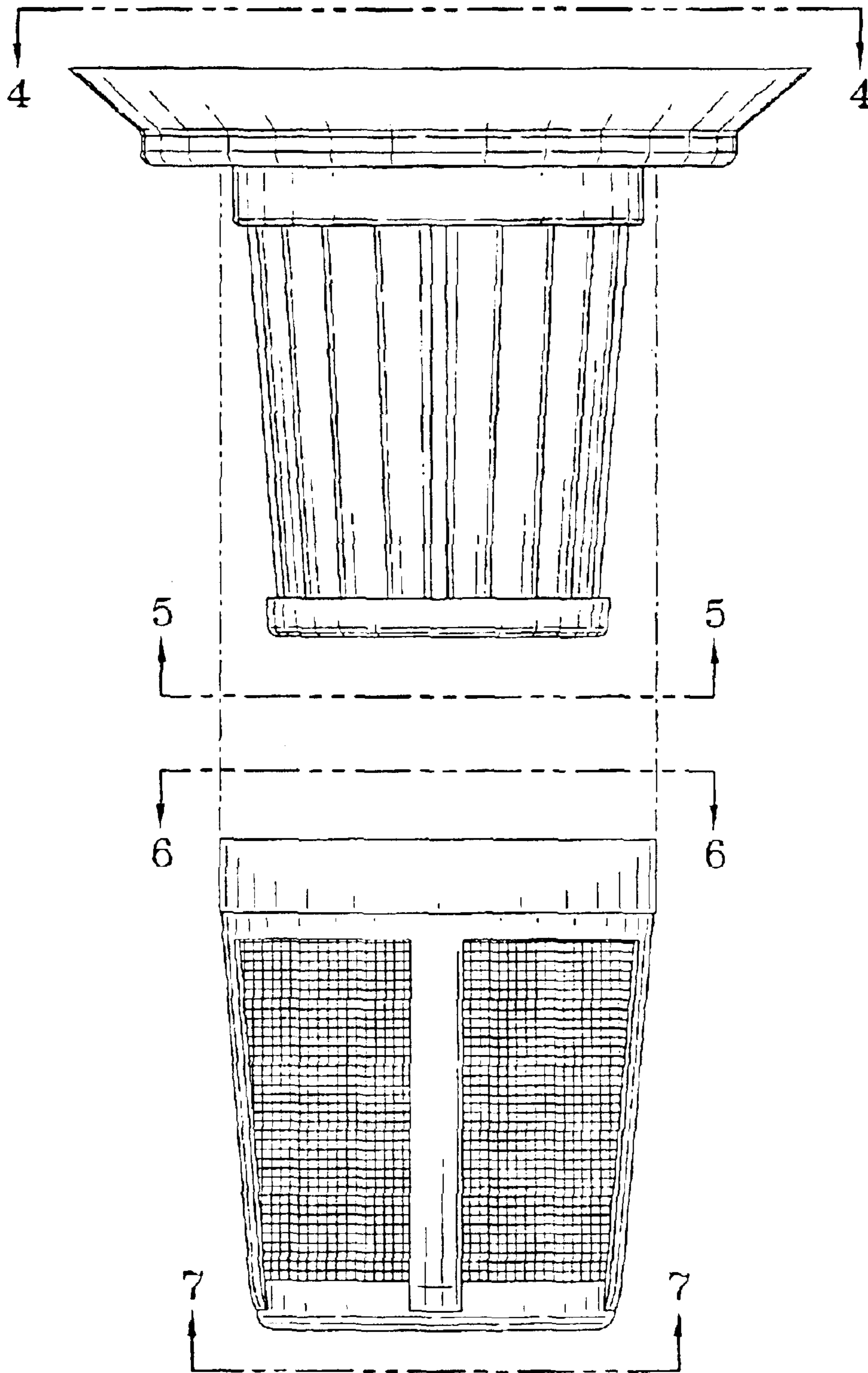


FIG-3

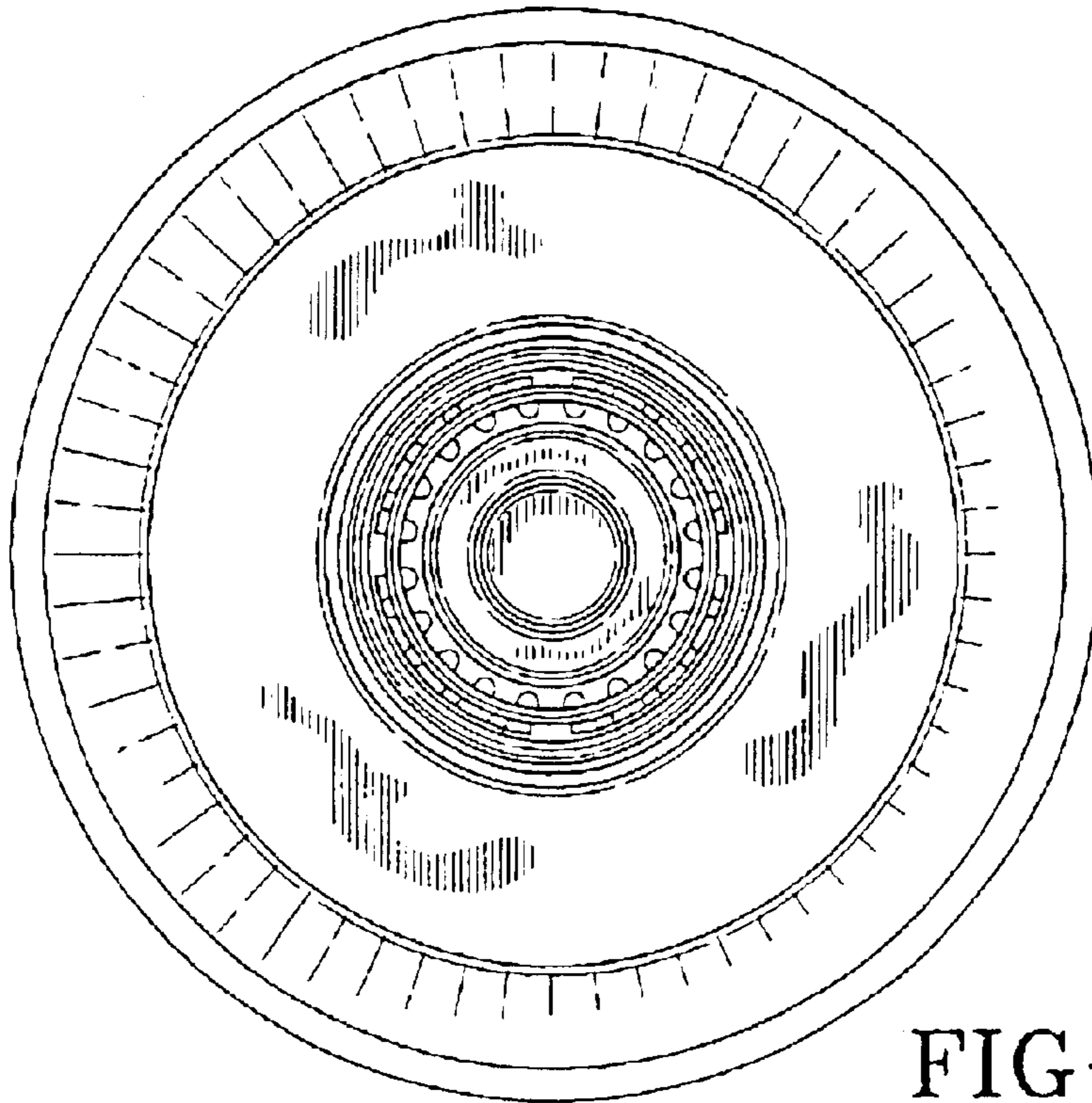


FIG-4

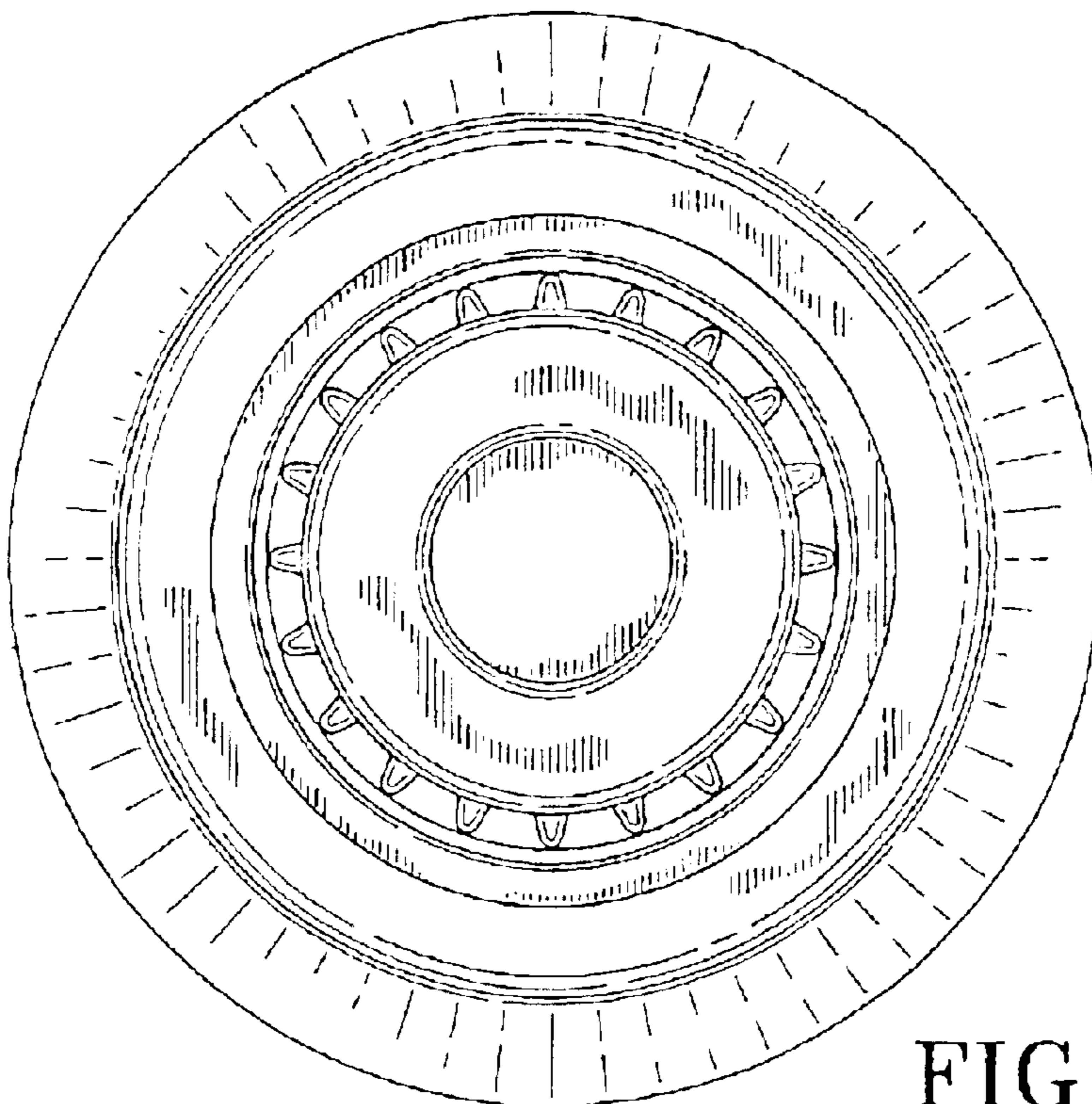


FIG-5

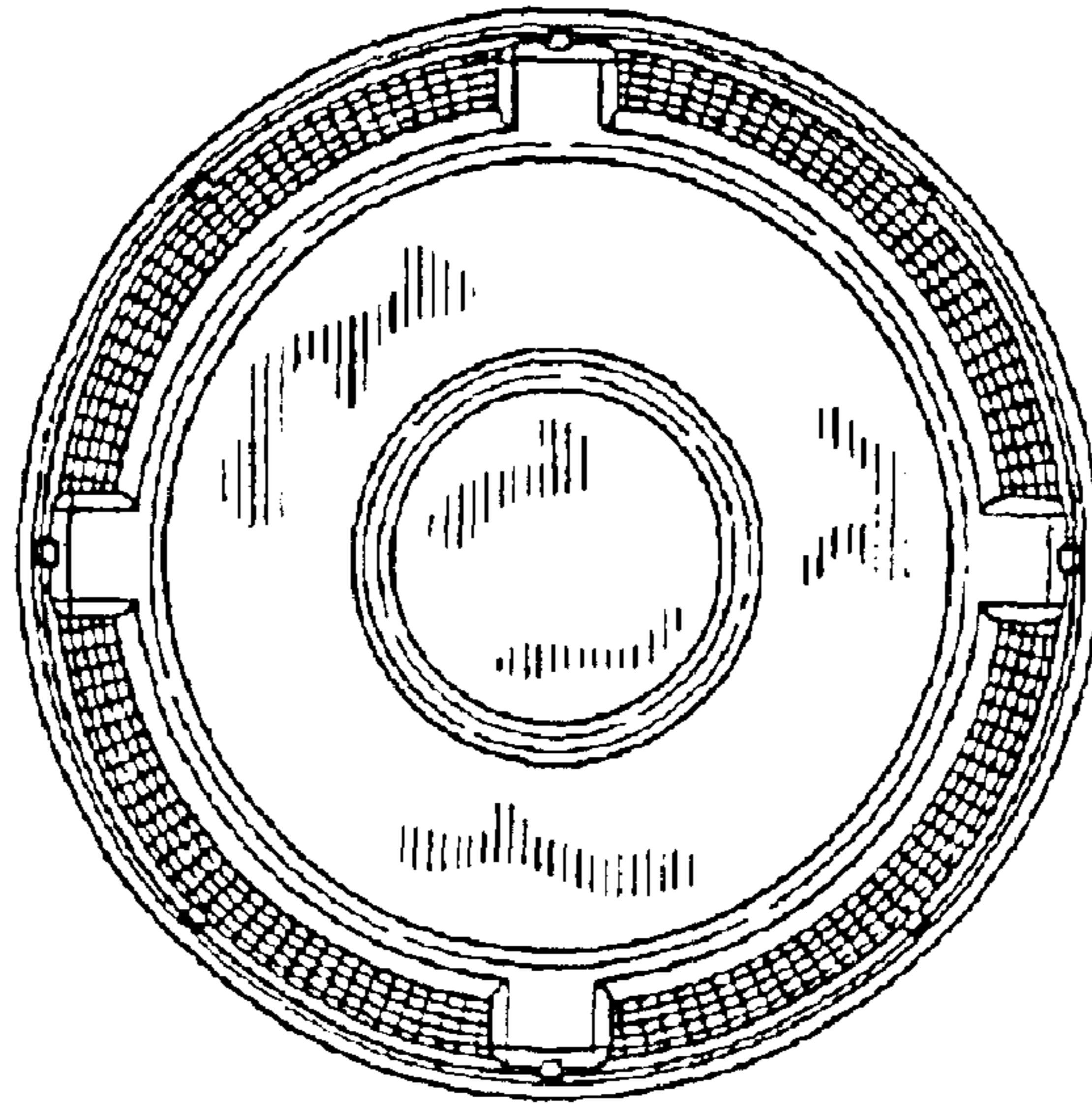


FIG-6

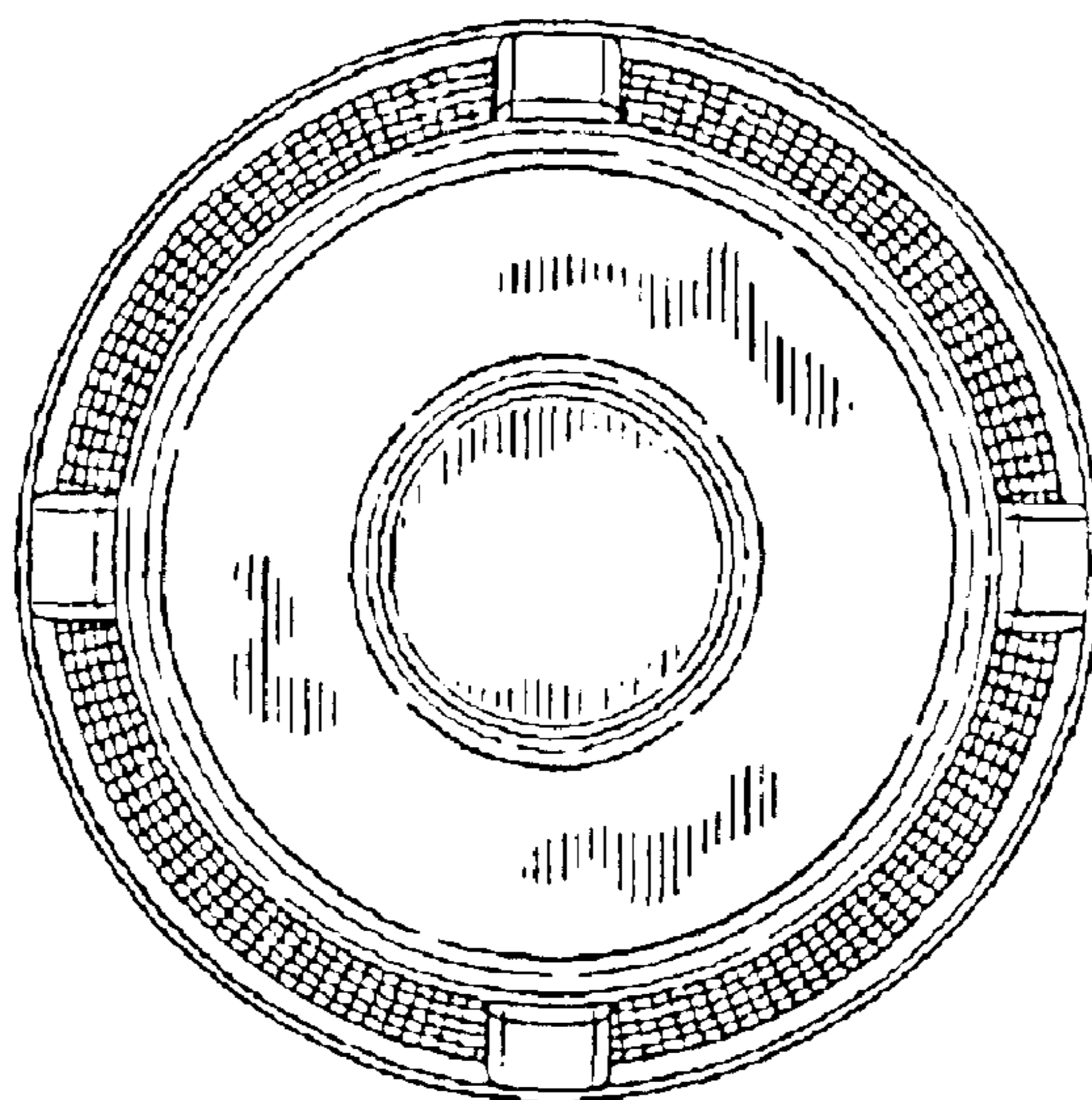


FIG-7