

US00D495456S1

(12) **United States Design Patent**
Ågren et al.

(10) **Patent No.: US D495,456 S**
(45) **Date of Patent: ** Aug. 31, 2004**

(54) **CLEANING DEVICE**

(75) Inventors: **Christian Ågren**, Stockholm (SE);
Esbjörn Svantesson, Stockholm (SE)

(73) Assignee: **Aktiebolaget Electrolux**, Stockholm (SE)

(**) Term: **14 Years**

(21) Appl. No.: **29/187,811**

(22) Filed: **Aug. 8, 2003**

(30) **Foreign Application Priority Data**

Feb. 10, 2003 (SE) 03-0194

(51) **LOC (7) Cl.** **15-05**

(52) **U.S. Cl.** **D32/22**

(58) **Field of Search** D32/25, 30-31,
D32/17-18, 21-23; D30/158; D28/10; 15/344,
329, 347, 320, 350-353, 402, 361, 339,
DIG. 1, DIG. 8; 55/DIG. 3, 472, 459.1,
429; 96/337

(56) **References Cited**

U.S. PATENT DOCUMENTS

D380,882 S * 7/1997 Rorke et al. D32/22

5,671,499 A * 9/1997 Melito et al. 15/339
D398,097 S * 9/1998 Murphy et al. D32/22
D426,356 S * 6/2000 Tsuruha D32/22
D429,392 S * 8/2000 Maruyama et al. D32/22
6,442,792 B1 * 9/2002 Sudou et al. 15/339
D486,279 S * 2/2004 Chen D32/17
6,684,451 B2 * 2/2004 Kato et al. 15/319

* cited by examiner

Primary Examiner—Ruth McInroy

(74) *Attorney, Agent, or Firm*—Pearne & Gordon LLP

(57) **CLAIM**

The ornamental design for a cleaning device, as shown and described.

DESCRIPTION

FIG. 1 is a front perspective view of a cleaning device showing our new design;
FIG. 2 is a side perspective view thereof;
FIG. 3 is a front elevation view thereof;
FIG. 4 is a rear elevation view thereof;
FIG. 5 is a right side elevation view thereof;
FIG. 6 is a left side elevation view thereof;
FIG. 7 is a top plan view thereof; and,
FIG. 8 is a bottom plan view thereof.

1 Claim, 5 Drawing Sheets

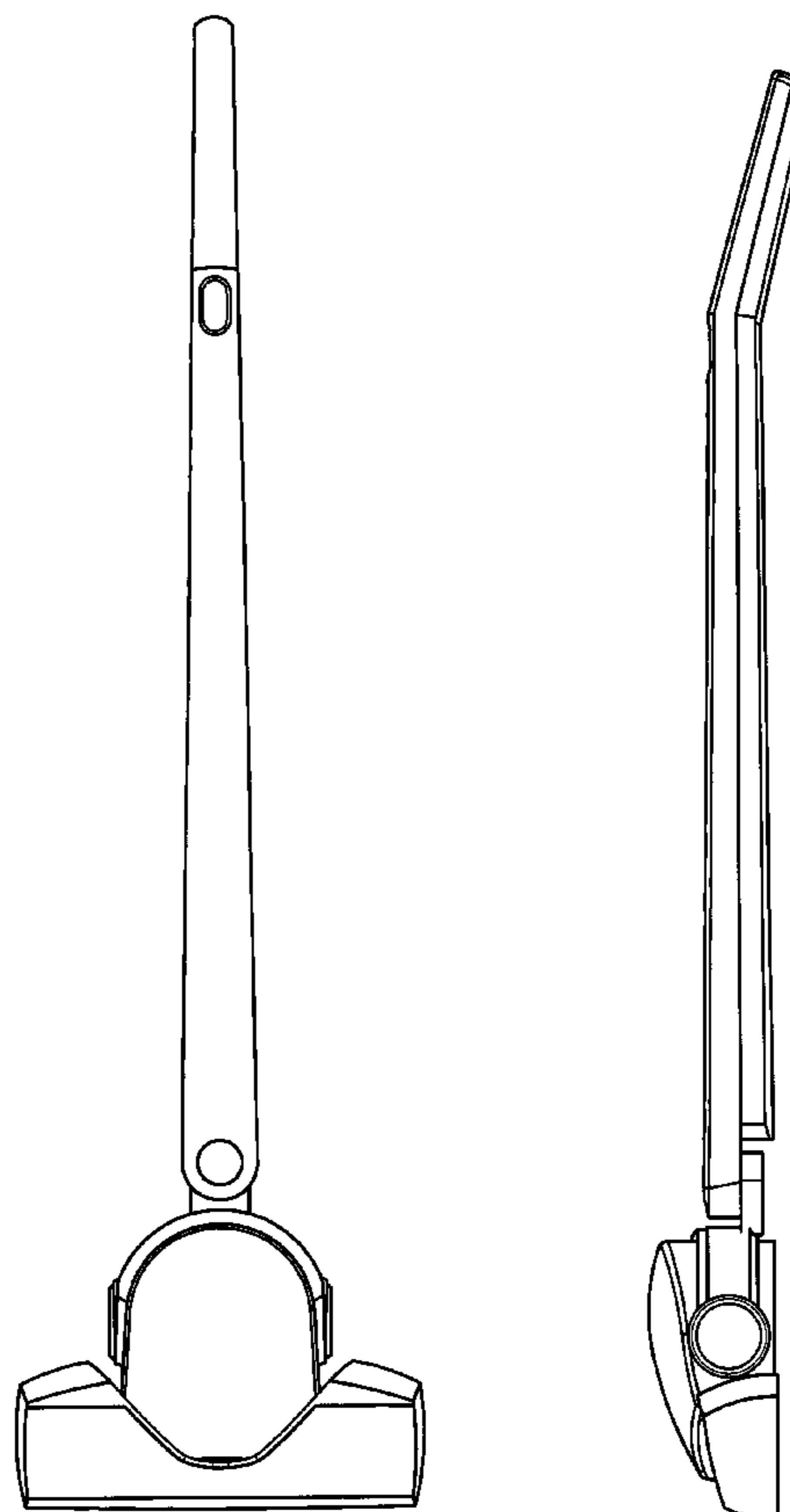
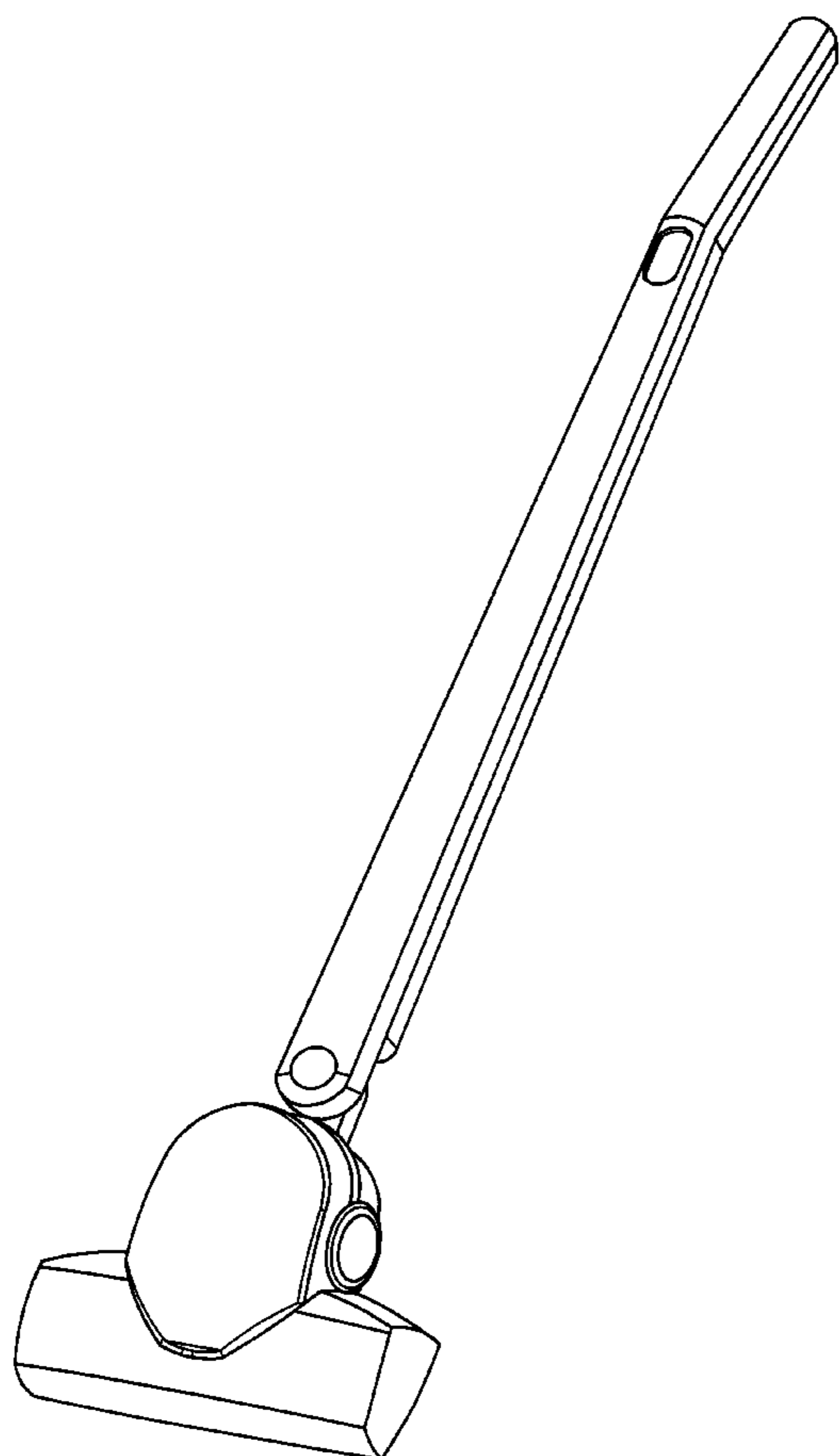
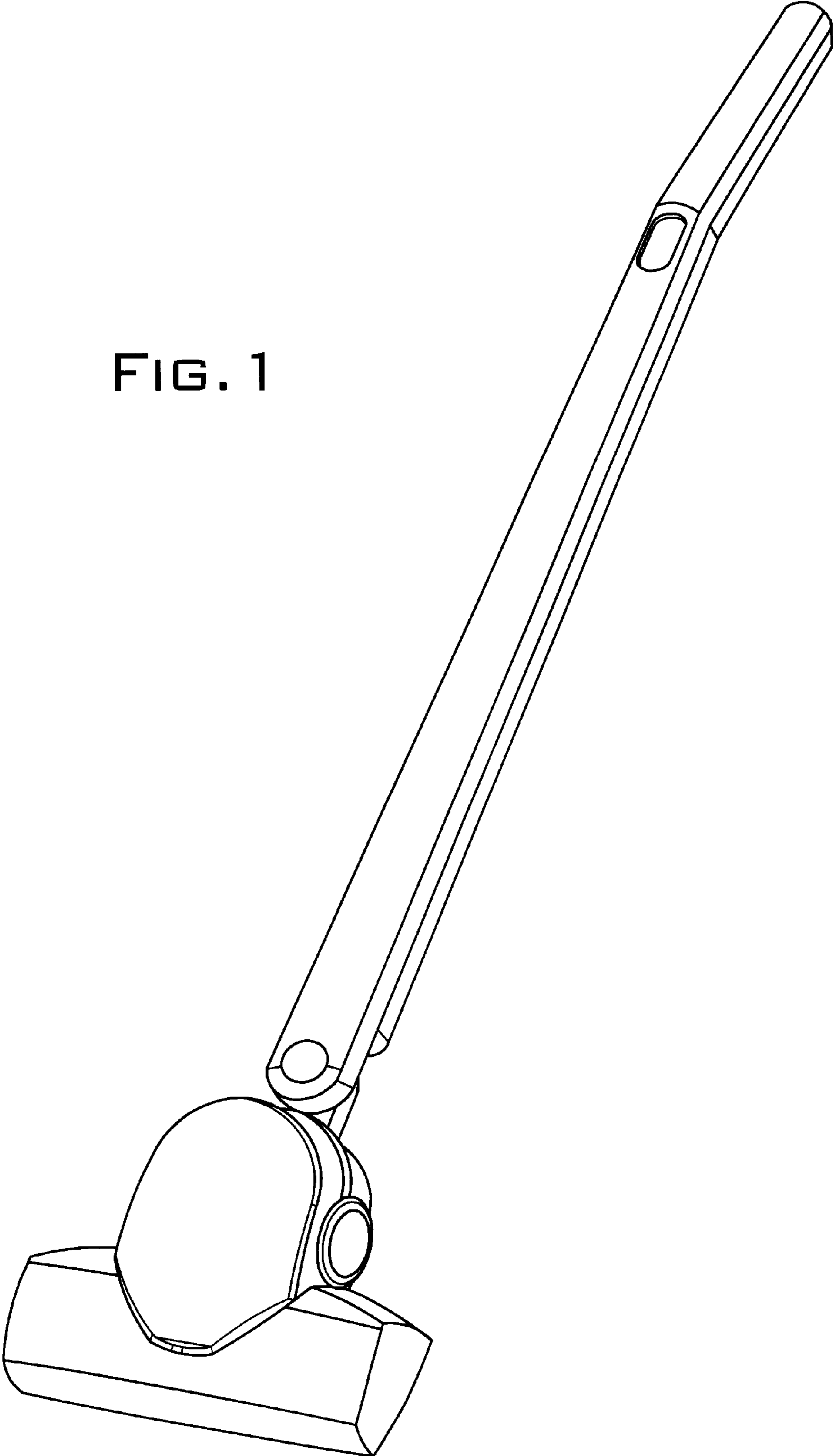


FIG. 1



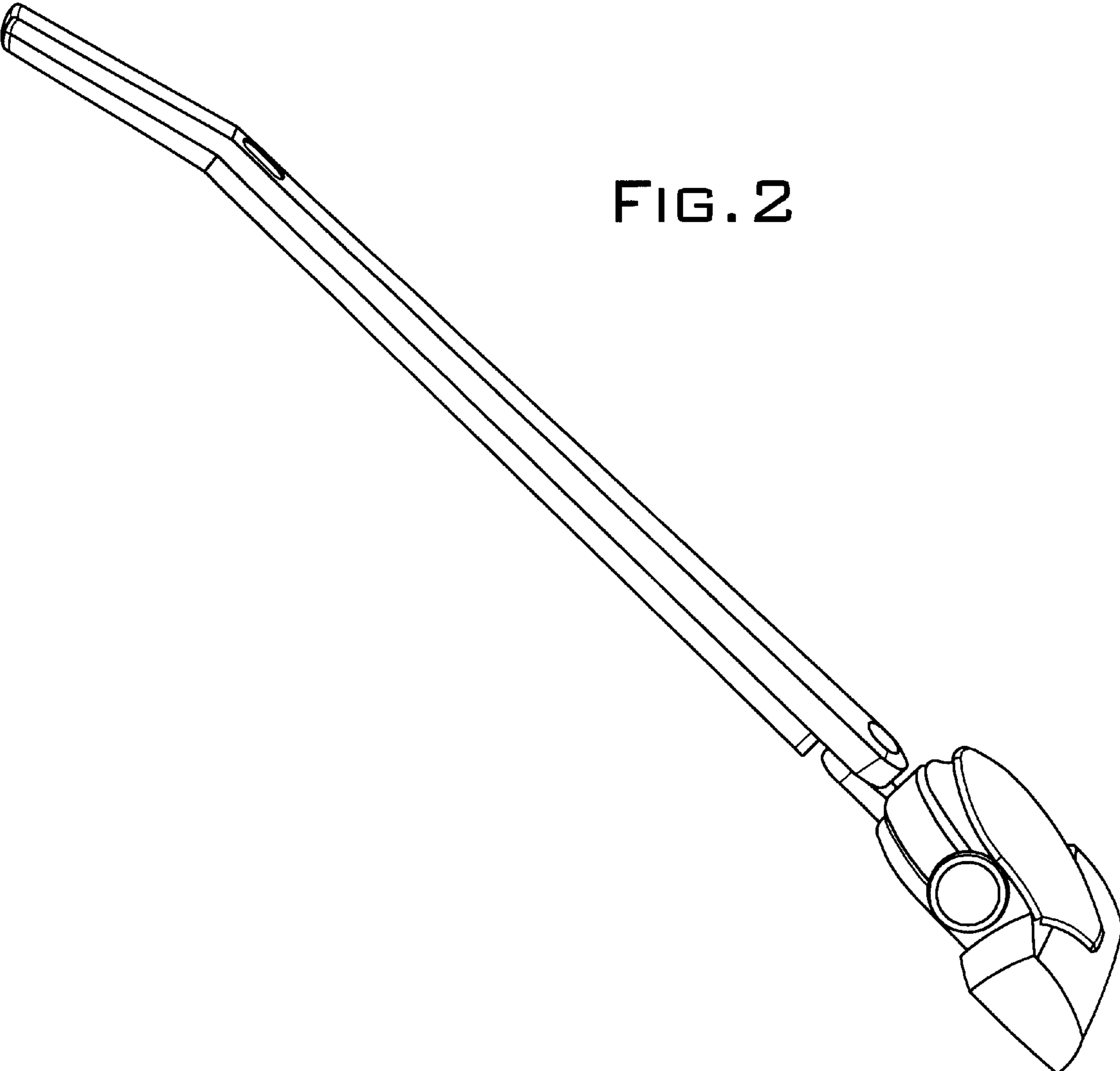


FIG. 2

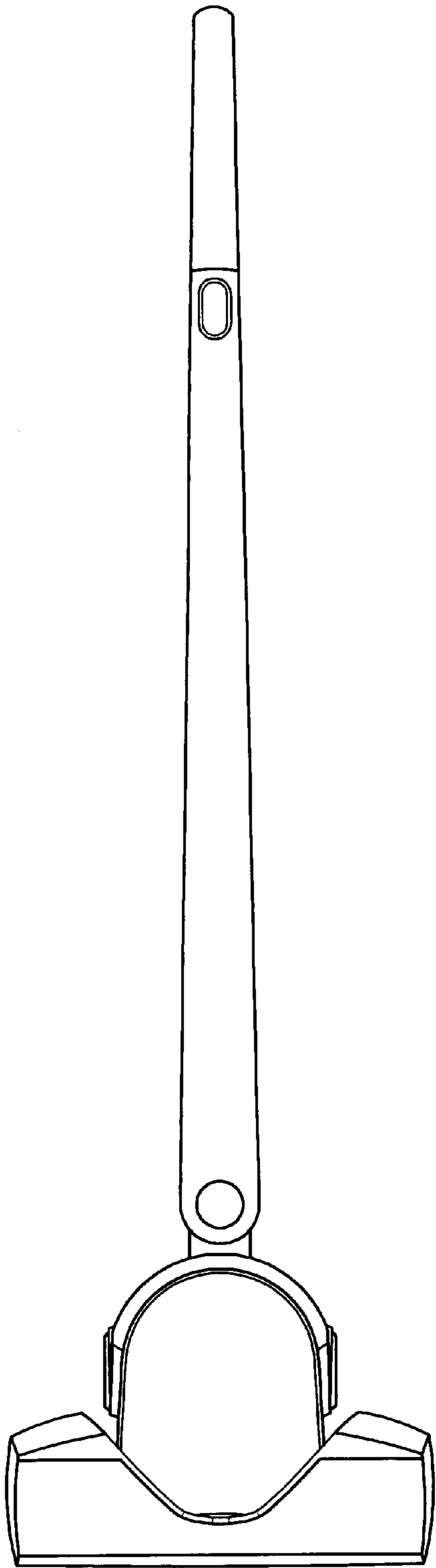


FIG. 3

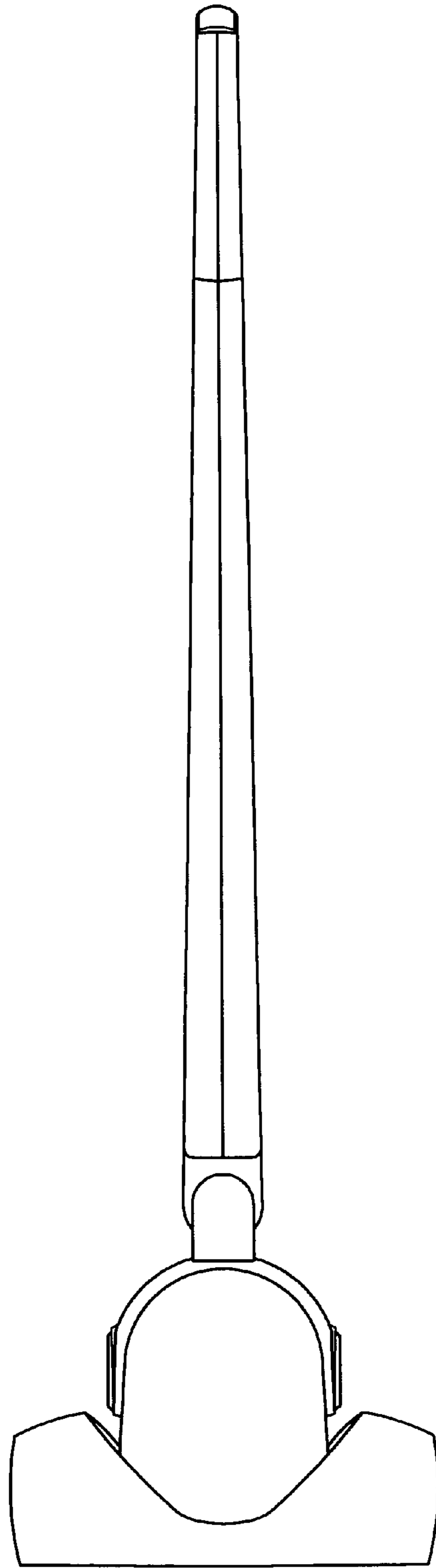


FIG. 4

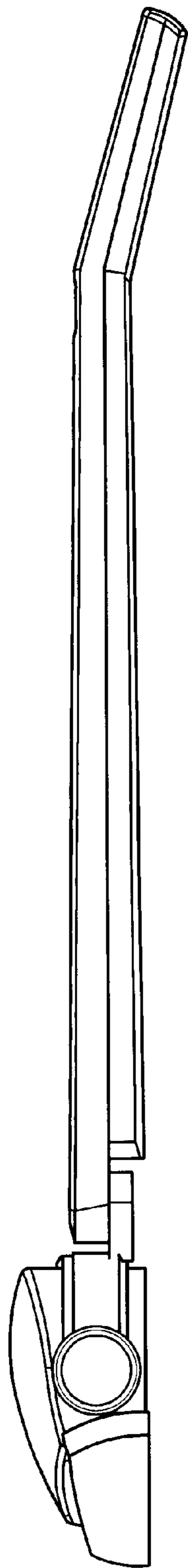


FIG. 5

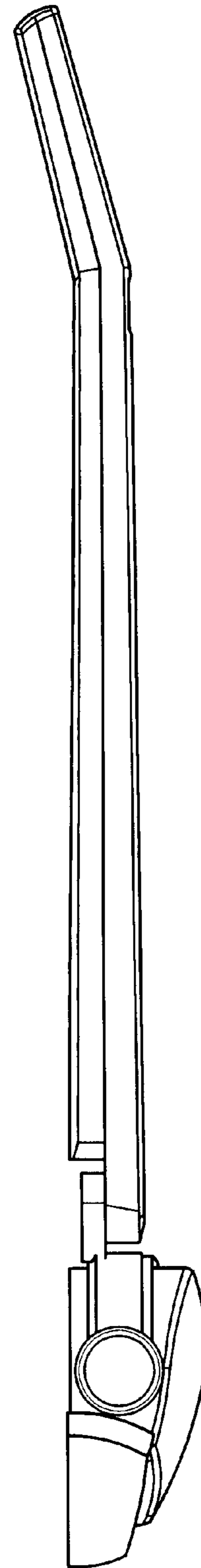


FIG. 6

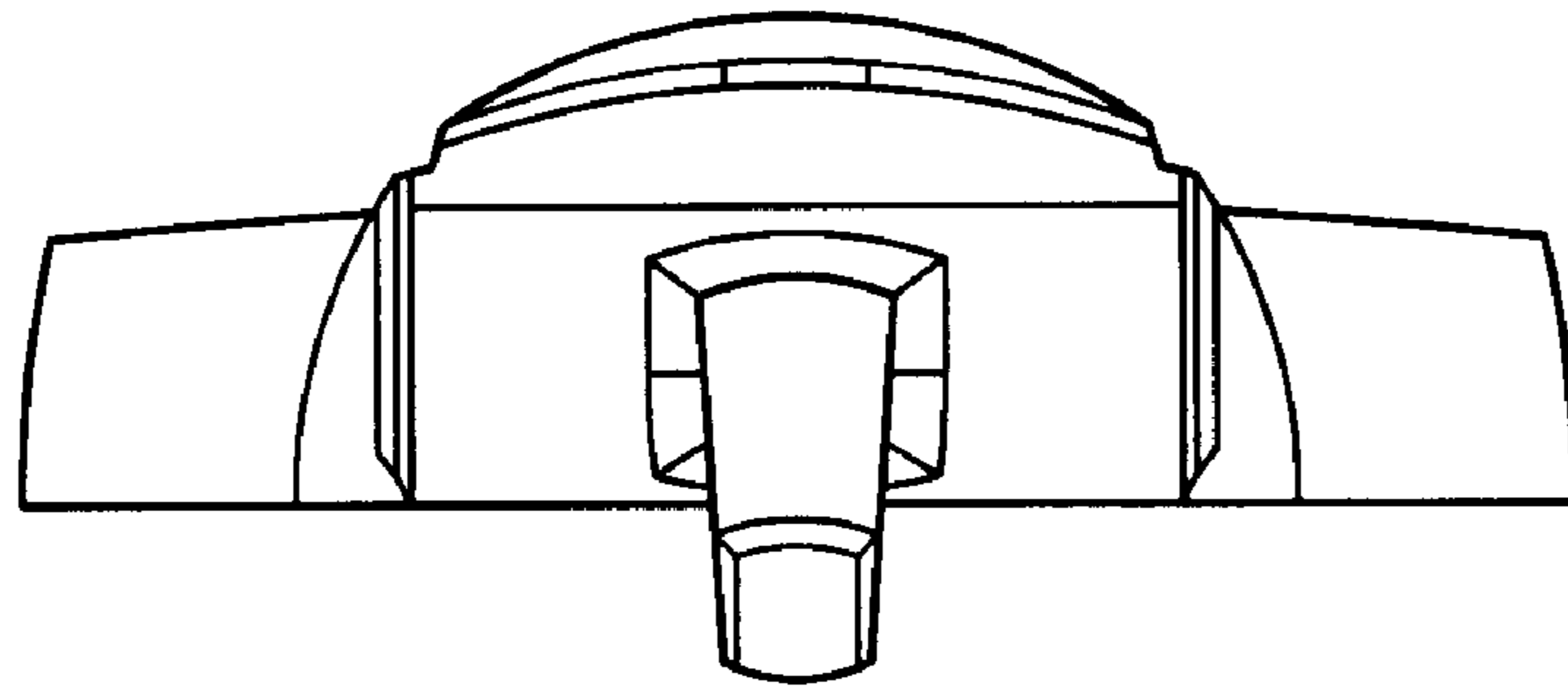


FIG. 7

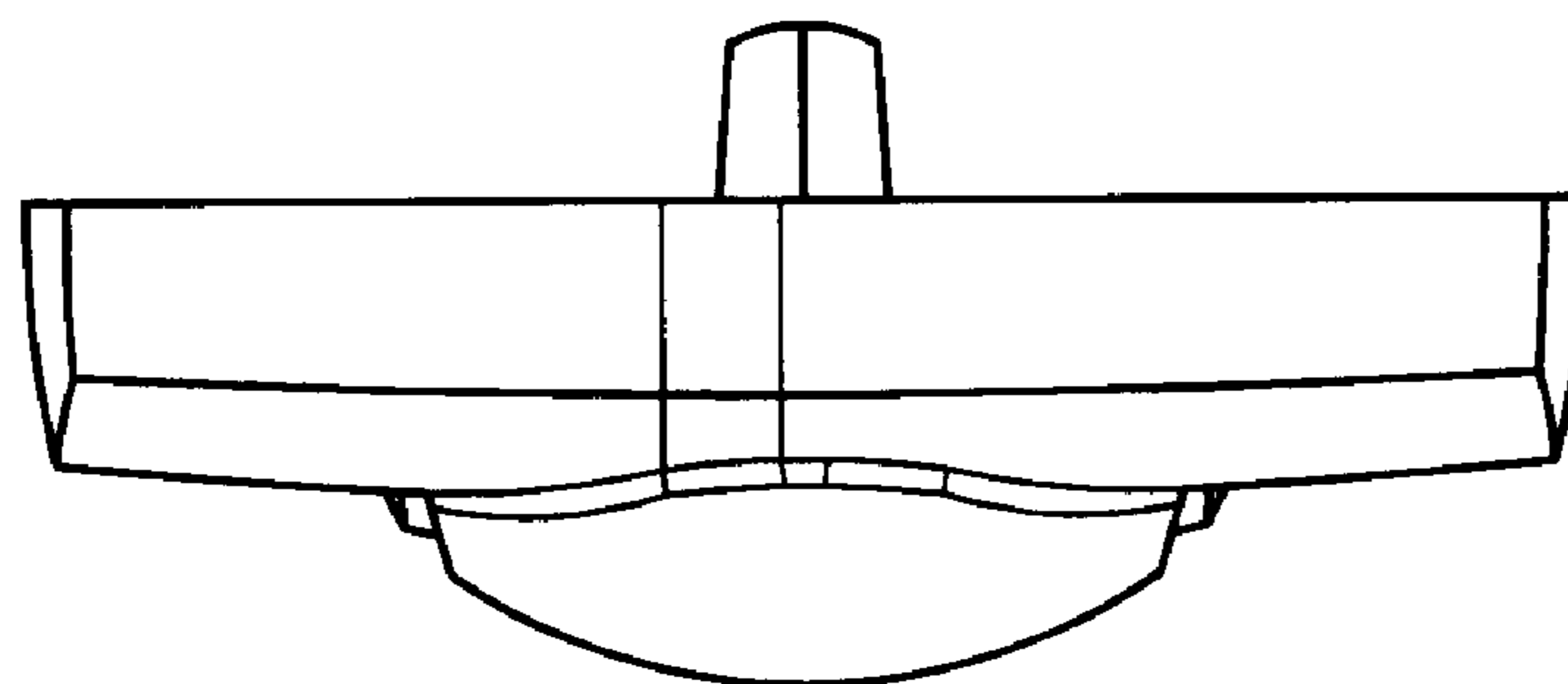


FIG. 8