

US00D495448S1

(12) **United States Design Patent**  
**Moforis**

(10) **Patent No.:** **US D495,448 S**

(45) **Date of Patent:** **\*\* Aug. 31, 2004**

(54) **PEDICURE BASIN**

2004/0003460 A1 \* 1/2004 Zolotnik ..... 4/622

(76) **Inventor:** **Antonia M. Moforis**, 100 Polk St.,  
Hollywood, FL (US) 33020

\* cited by examiner

*Primary Examiner*—Jennifer Rivard  
(74) *Attorney, Agent, or Firm*—Malloy & Malloy, P.A.

(\*\*) **Term:** **14 Years**

(57) **CLAIM**

(21) **Appl. No.:** **29/174,554**

The ornamental design for a pedicure basin, as shown and described.

(22) **Filed:** **Jan. 21, 2003**

(51) **LOC (7) Cl.** ..... **28-03**

**DESCRIPTION**

(52) **U.S. Cl.** ..... **D28/61; D32/53**

(58) **Field of Search** ..... D28/56, 57, 61,  
D28/62; D24/204; D32/53; 132/73, 73.5,  
74, 75; 4/622; 15/264

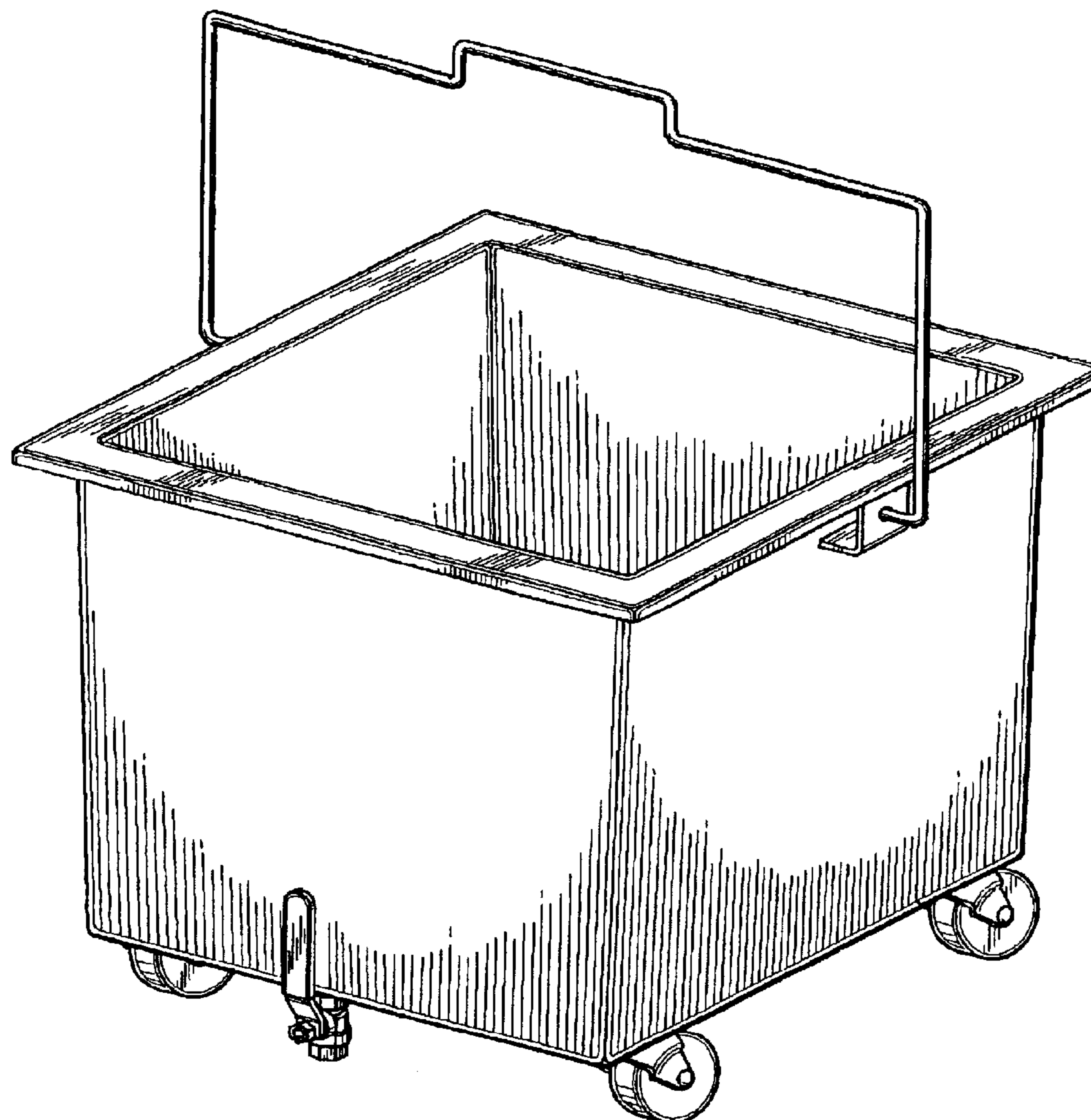
FIG. 1 is a perspective view of my design for a pedicure basin;  
FIG. 2 is a front view thereof;  
FIG. 3 is a left side view thereof;  
FIG. 4 is a top view thereof;  
FIG. 5 is a right view thereof;  
FIG. 6 is a bottom view thereof; and,  
FIG. 7 is a rear view thereof.

(56) **References Cited**

**U.S. PATENT DOCUMENTS**

- 4,742,836 A \* 5/1988 Buehler ..... 132/74.5
- D346,043 S \* 4/1994 Galati et al. .... D28/61
- 5,615,447 A \* 4/1997 Hardesty et al. .... 15/264
- D477,447 S \* 7/2003 Calaicone ..... D32/53

**1 Claim, 5 Drawing Sheets**



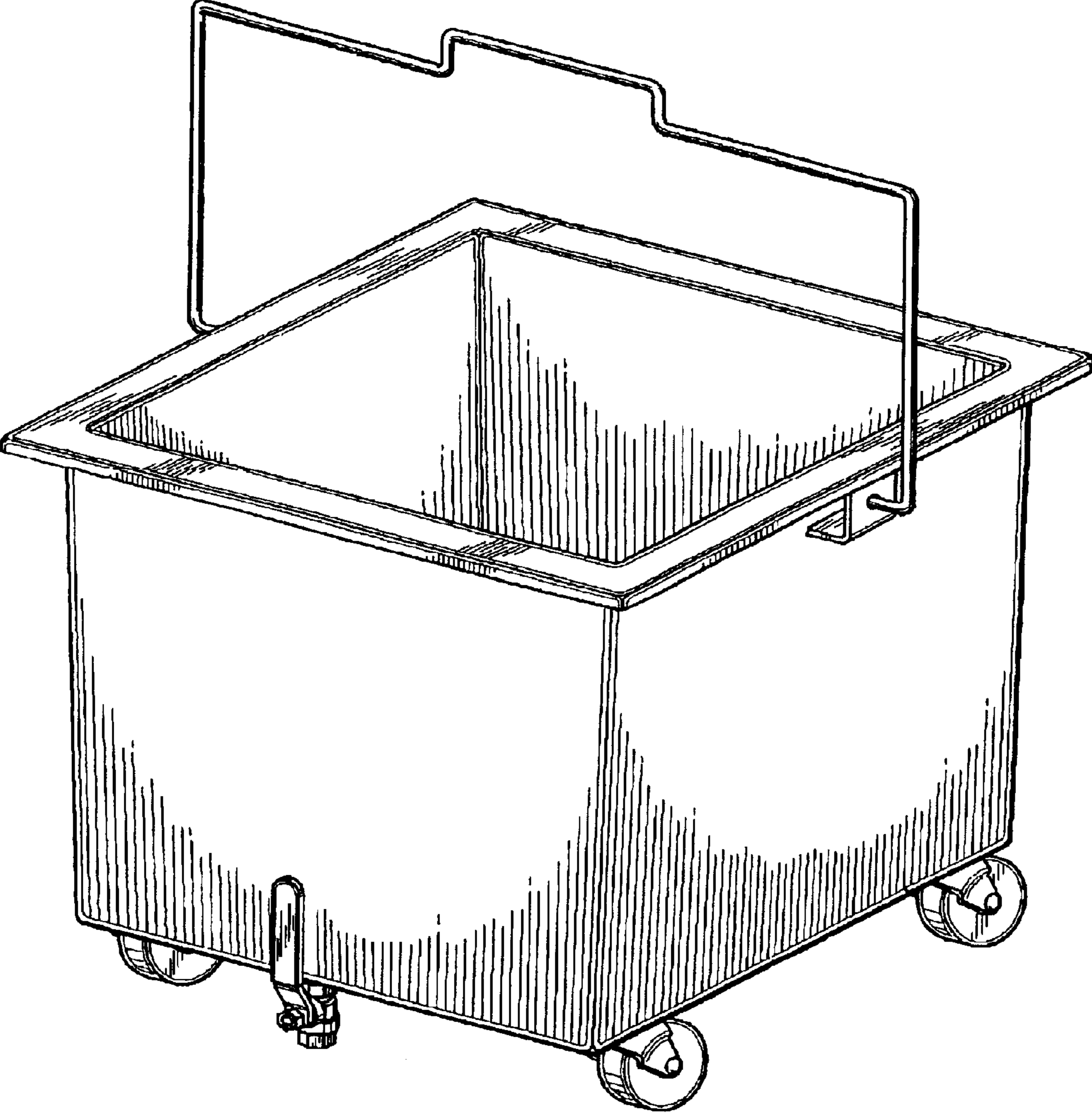


FIG. 1

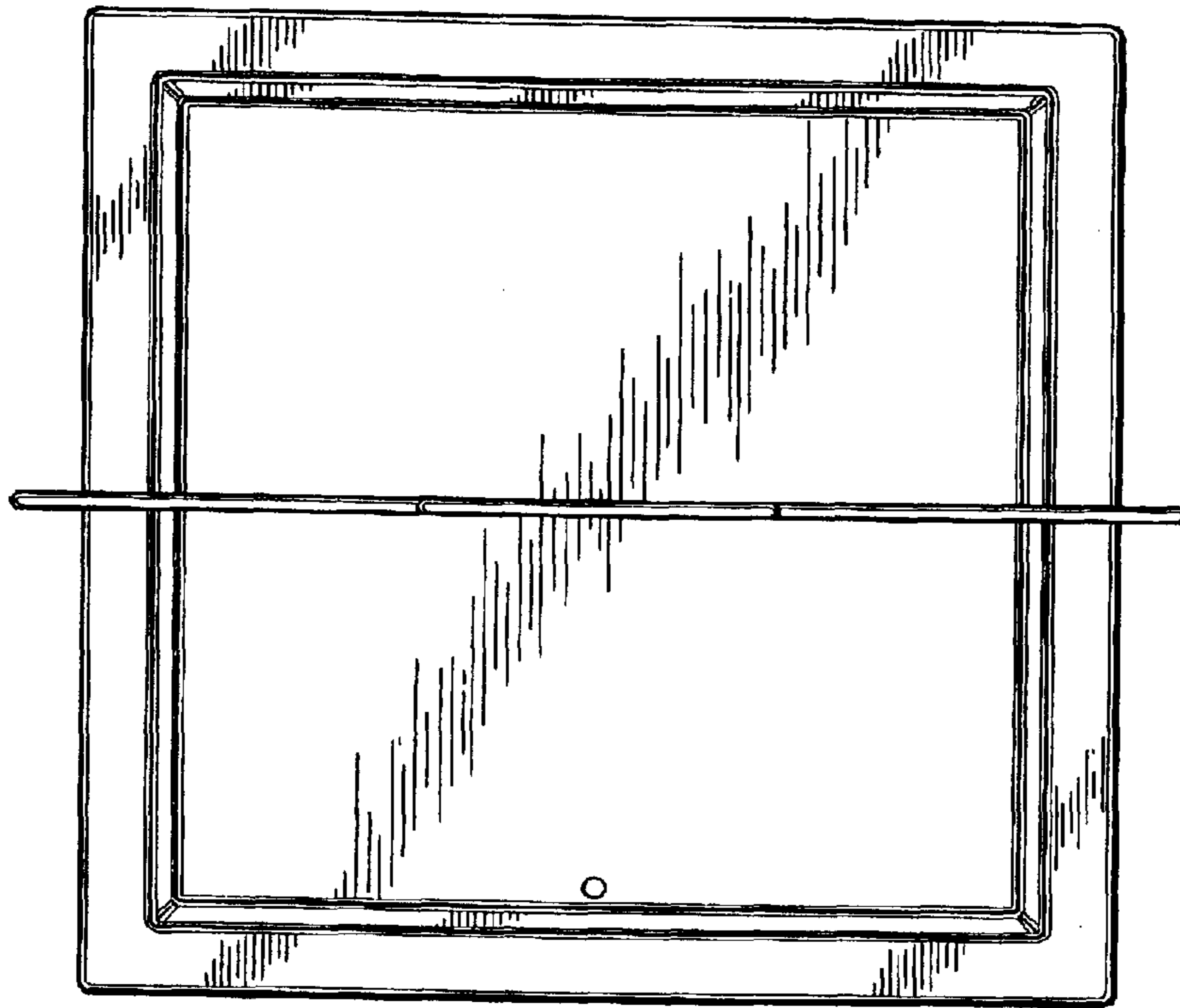


FIG. 4

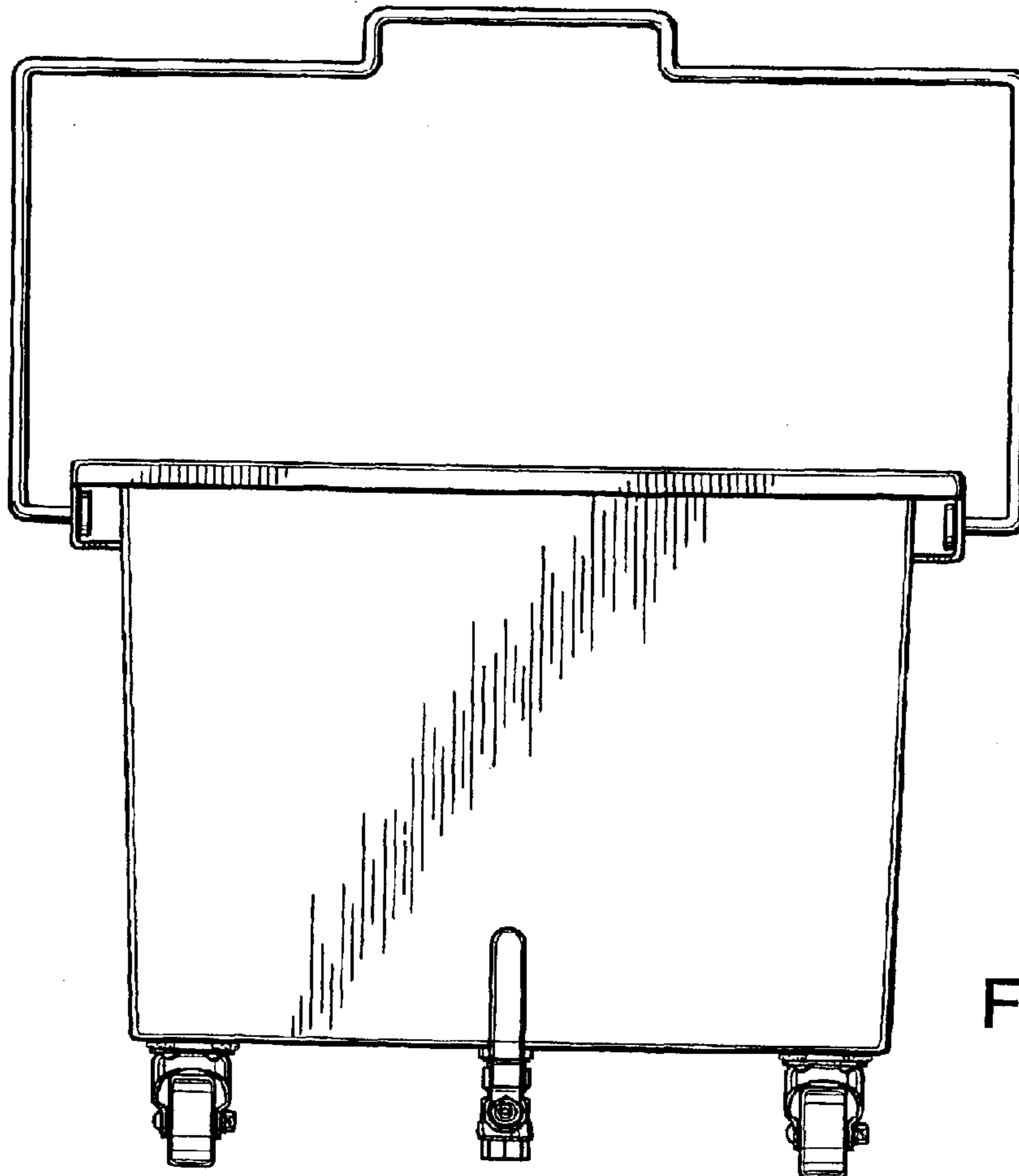


FIG. 2

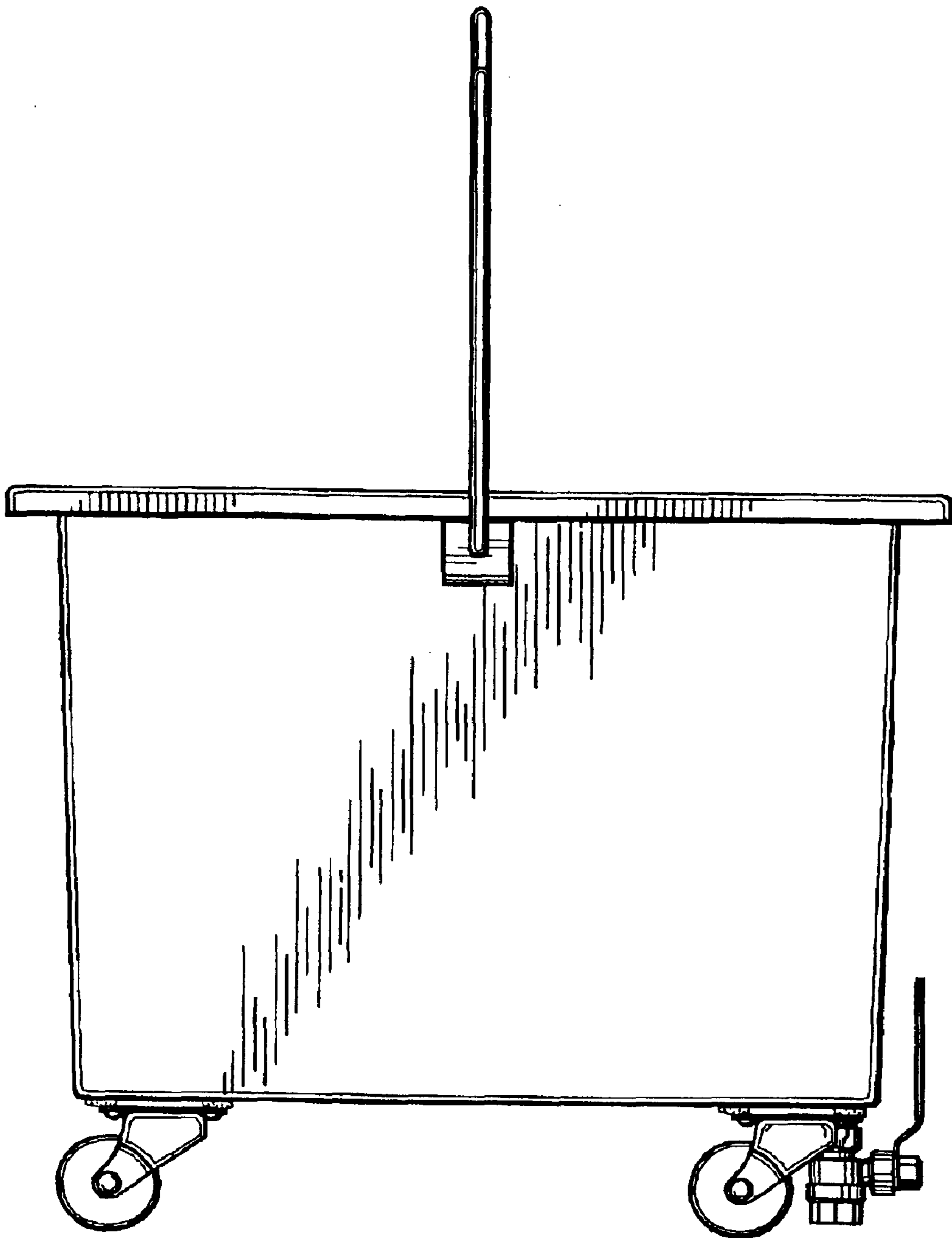


FIG. 3

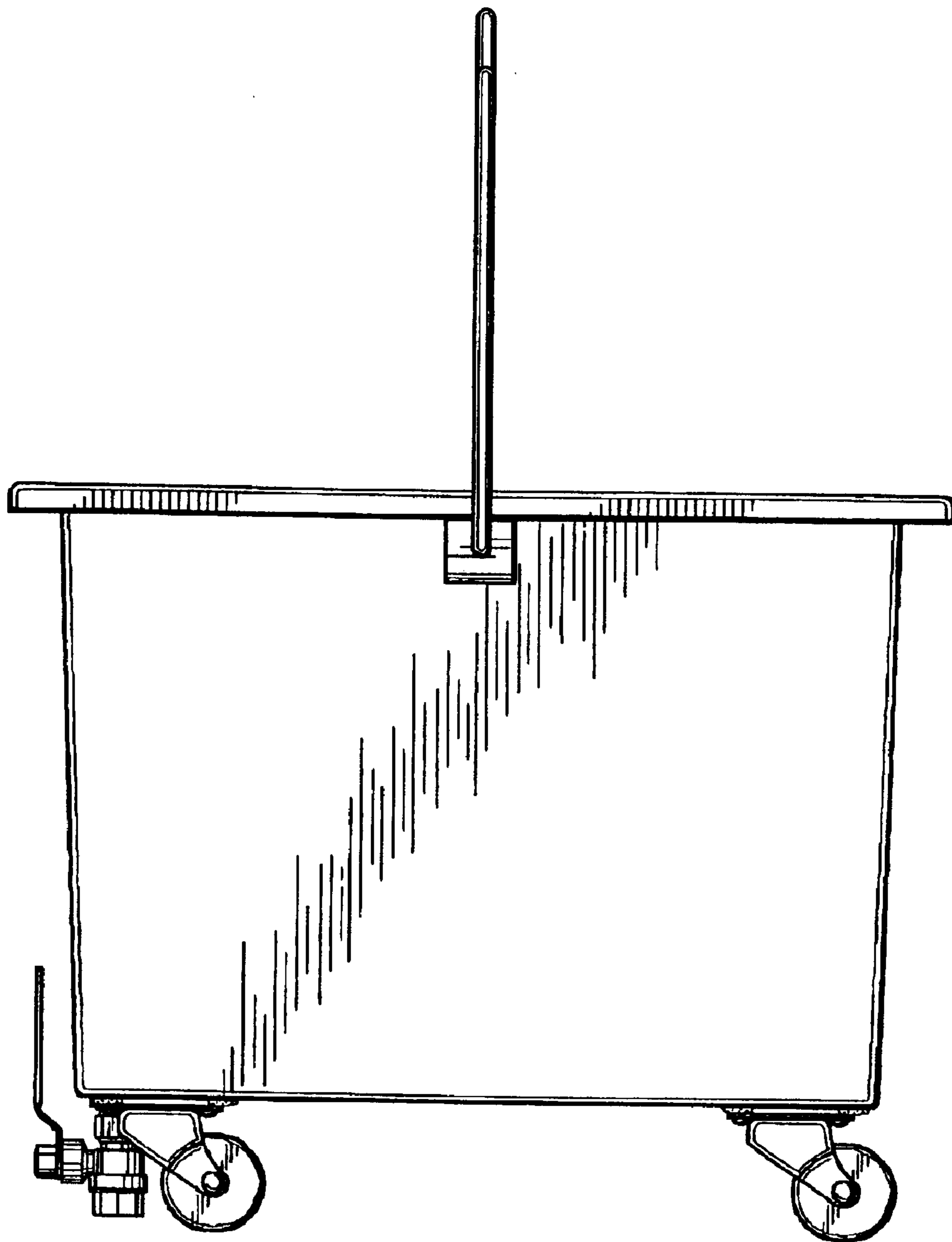


FIG. 5

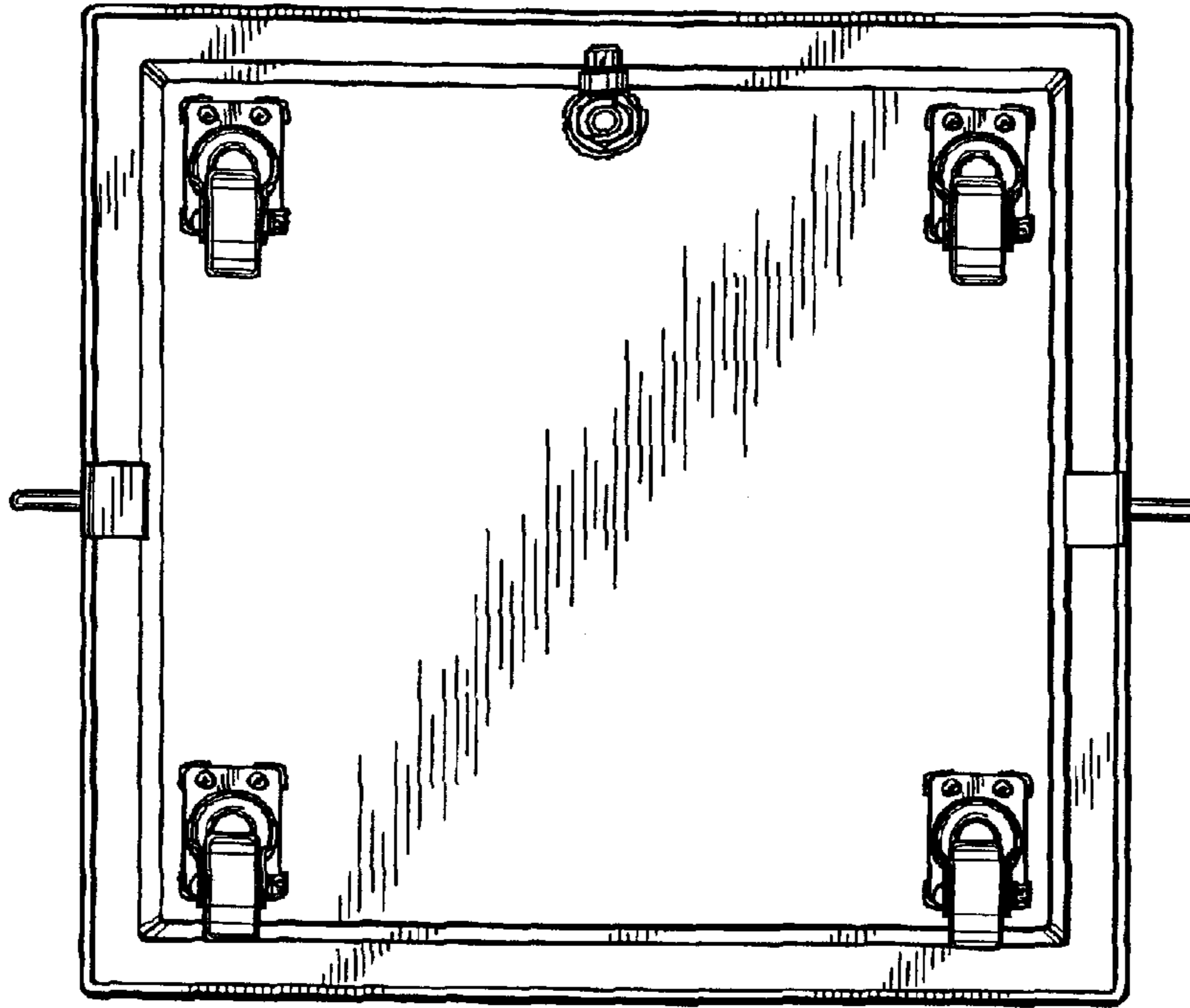


FIG. 6

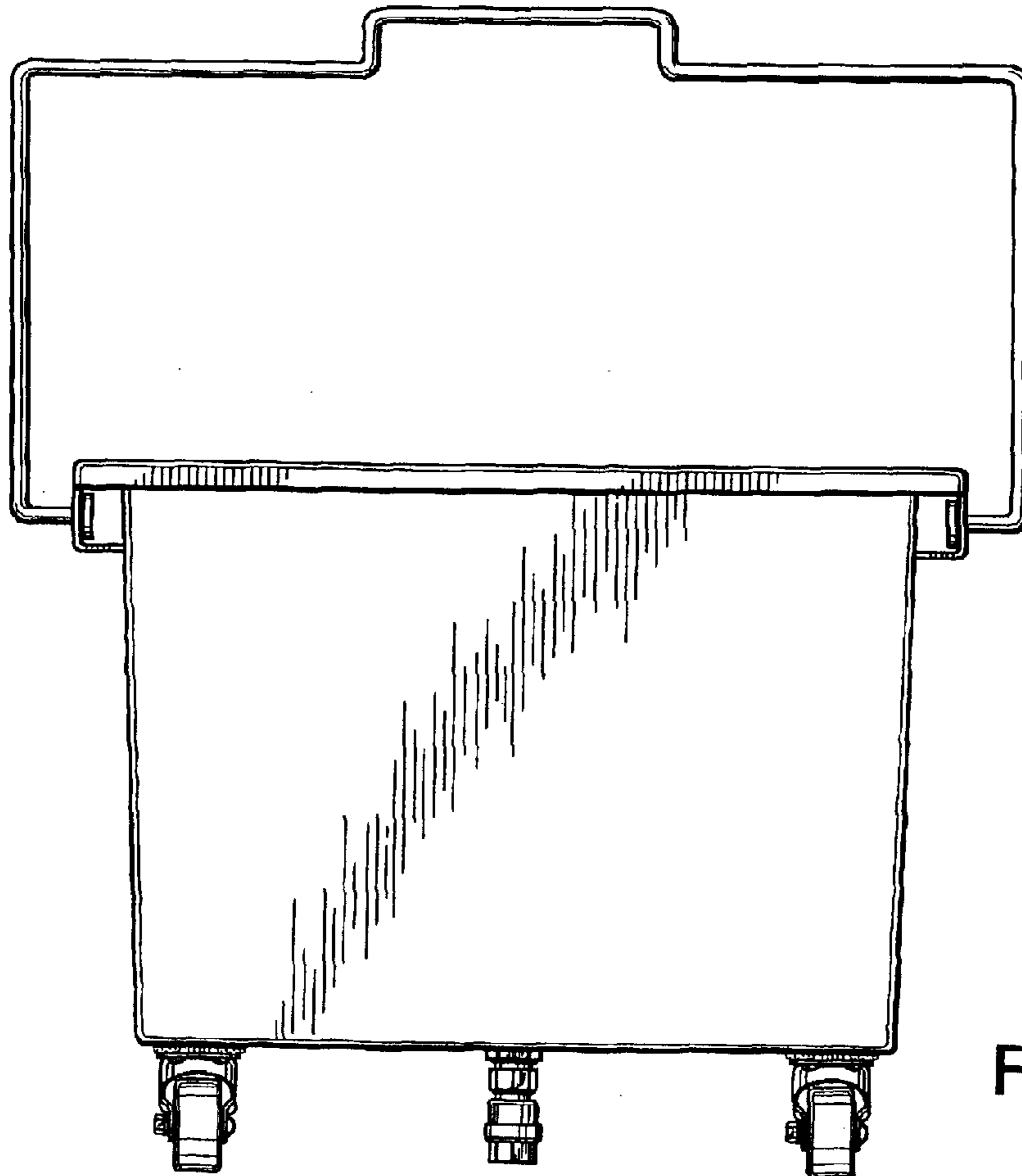


FIG. 7