

US00D495434S1

(12) **United States Design Patent** (10) **Patent No.:** **US D495,434 S**
Cooper (45) **Date of Patent:** **** Aug. 31, 2004**

(54) **FENCE POST COUPLING DEVICE**

(75) **Inventor:** **Cash C. Cooper, Aubrey, TX (US)**

(73) **Assignee:** **440 Fence Company, Inc., Aubrey, TX (US)**

(**) **Term:** **14 Years**

(21) **Appl. No.:** **29/182,488**

(22) **Filed:** **May 28, 2003**

(51) **LOC (7) Cl. 25-01**

(52) **U.S. Cl. D25/133; D25/61**

(58) **Field of Search 256/65.03, 65.05; 52/99; 403/2; D8/382; D25/61, 133**

(56) **References Cited**

U.S. PATENT DOCUMENTS

D185,099 S *	5/1959	Schindler	D25/133
5,535,555 A *	7/1996	Boyd et al.	52/99
5,593,143 A *	1/1997	Ferrarin	256/68
D412,660 S *	8/1999	Murakami	D8/382
D473,957 S *	4/2003	Ito et al.	D25/133
6,565,729 B2 *	5/2003	Chen et al.	205/82

OTHER PUBLICATIONS

Information Sheet Structural Fittings; <http://www.anchor-miami.com/afw/structural1.htm>; Anchor Fence Wholesalers of Miami (1998).

* cited by examiner

Primary Examiner—Doris Clark

(74) *Attorney, Agent, or Firm*—Baker & McKenzie LLP

(57) **CLAIM**

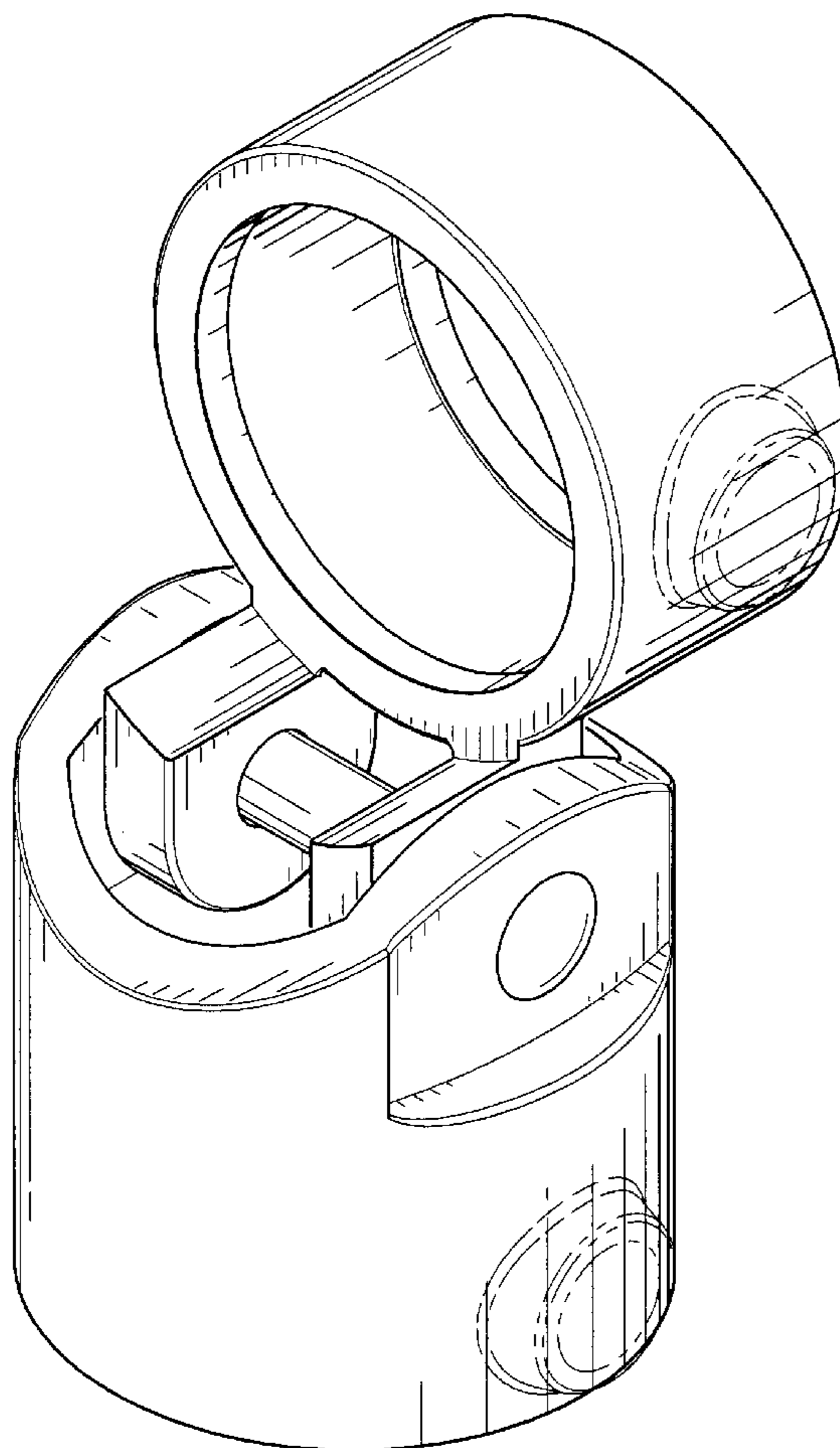
The ornamental design for a fence post coupling device, as illustrated and described.

DESCRIPTION

FIG. 1 is a perspective view of a fence post coupling device; FIG. 2 is a front view thereof; FIG. 3 is a left side view thereof; FIG. 4 is a right side view thereof; FIG. 5 is a rear view thereof; FIG. 6 is a top view thereof; and, FIG. 7 is a bottom view thereof.

The broken line showing of various features of the fence post coupling device for illustrative purposes only and forms no part of the claimed design.

1 Claim, 4 Drawing Sheets



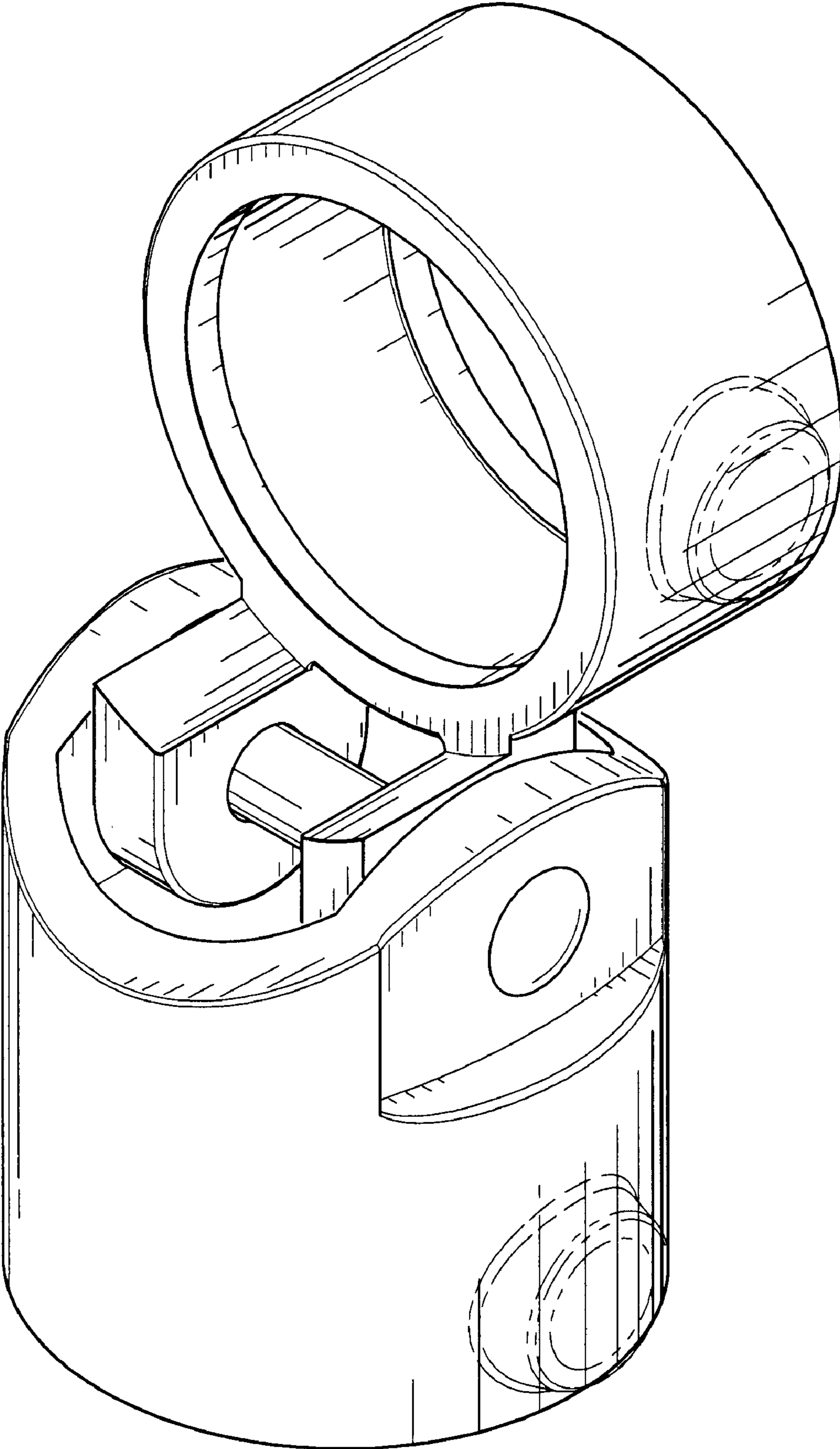


FIG. 1

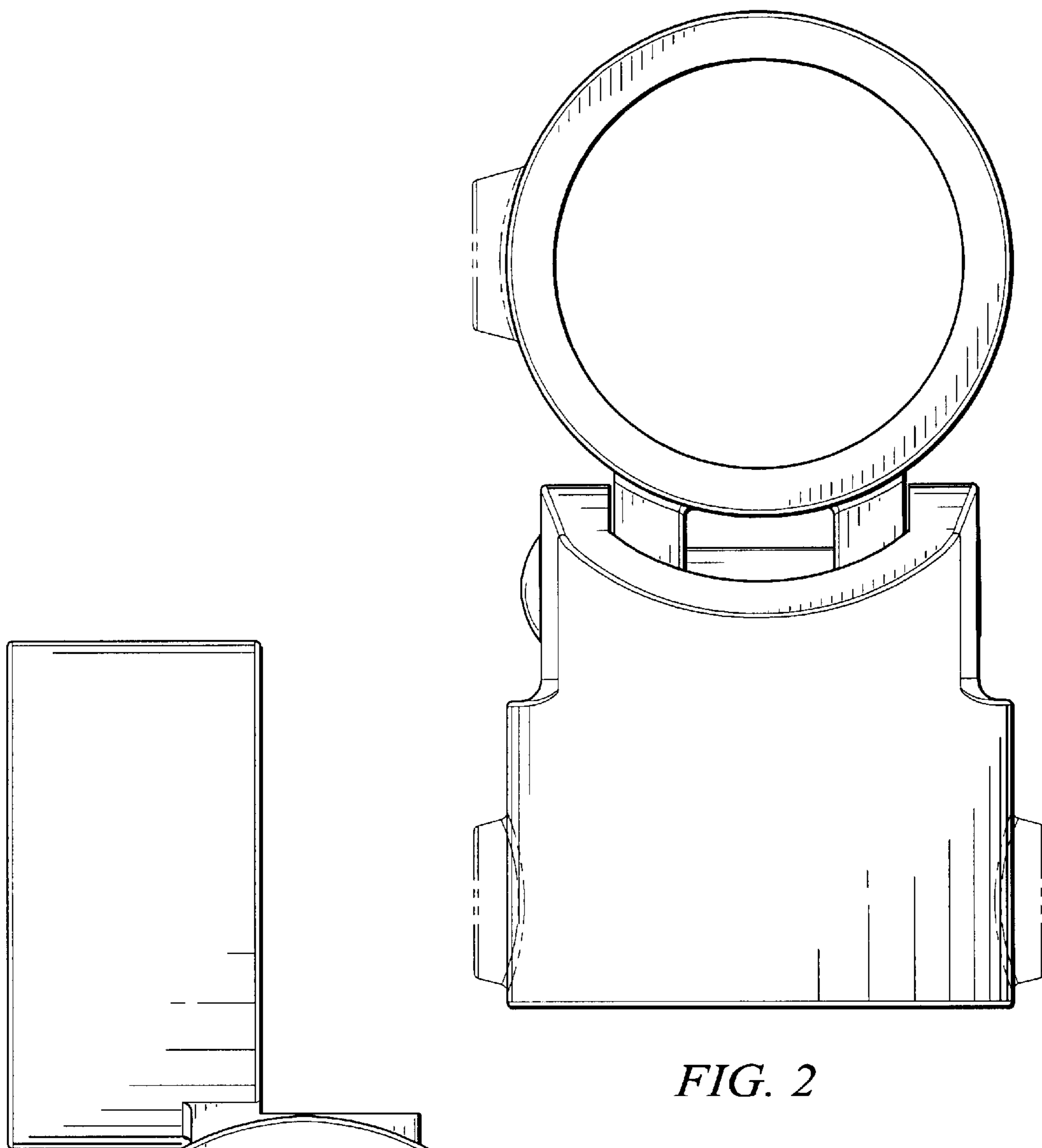


FIG. 2

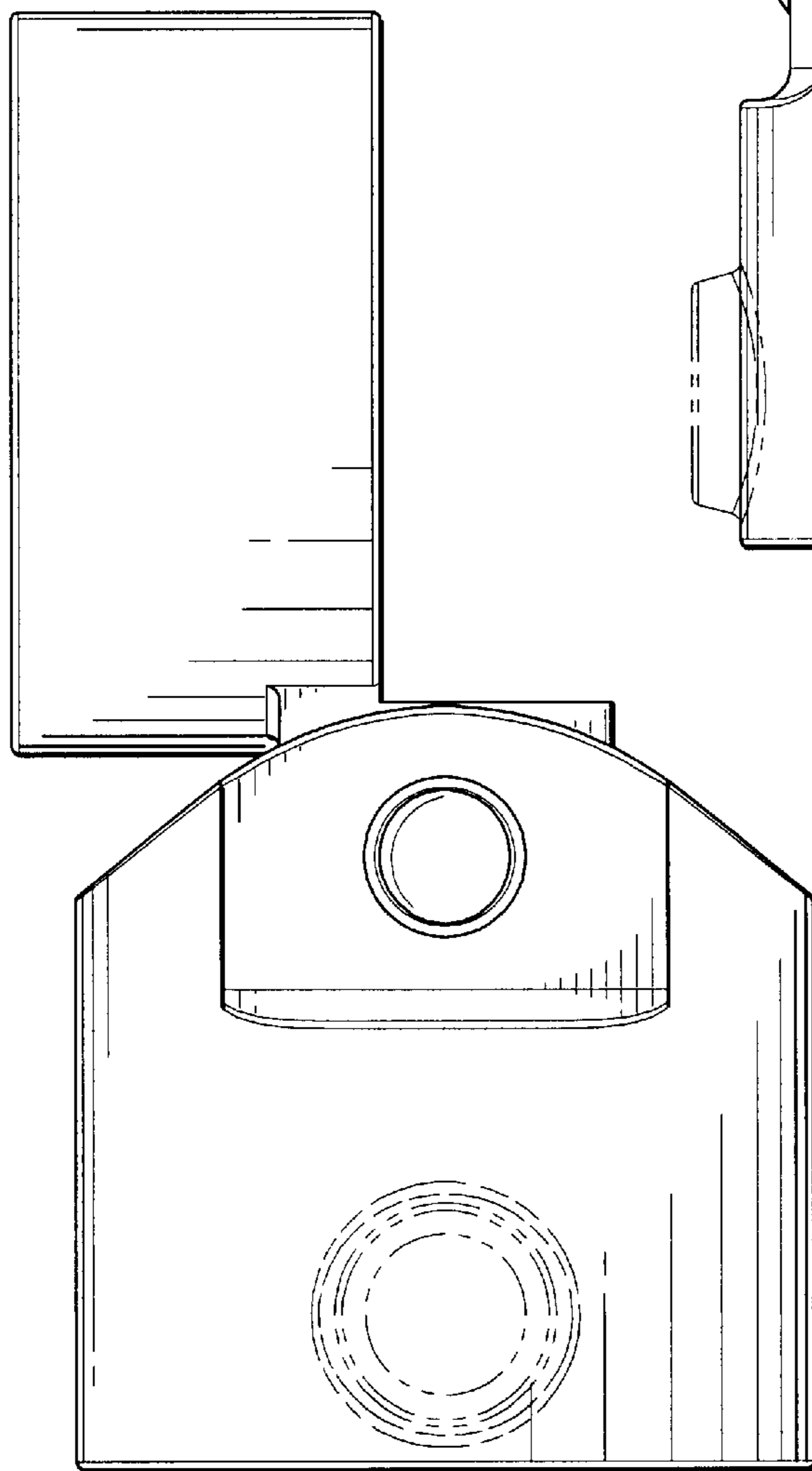


FIG. 3

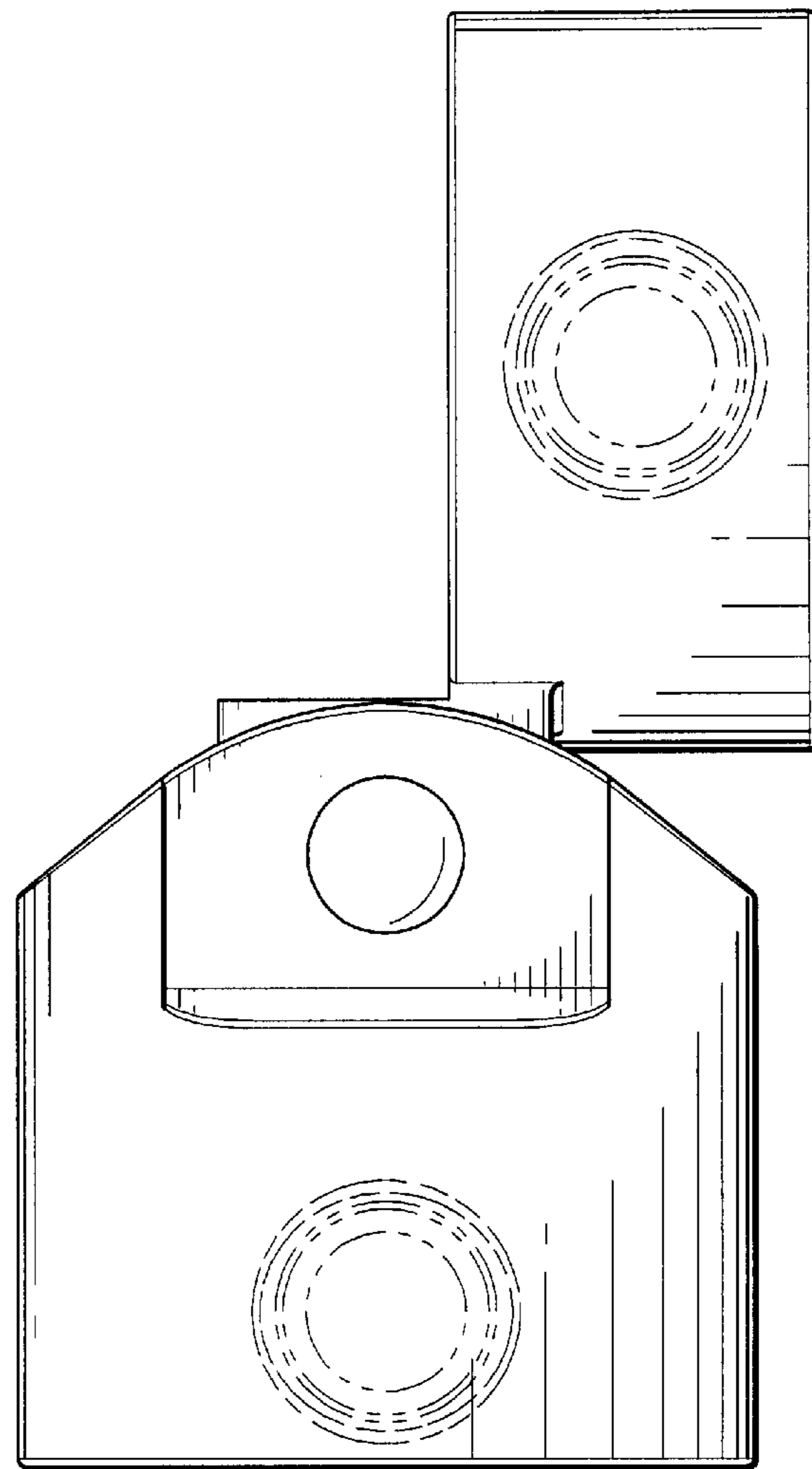


FIG. 4

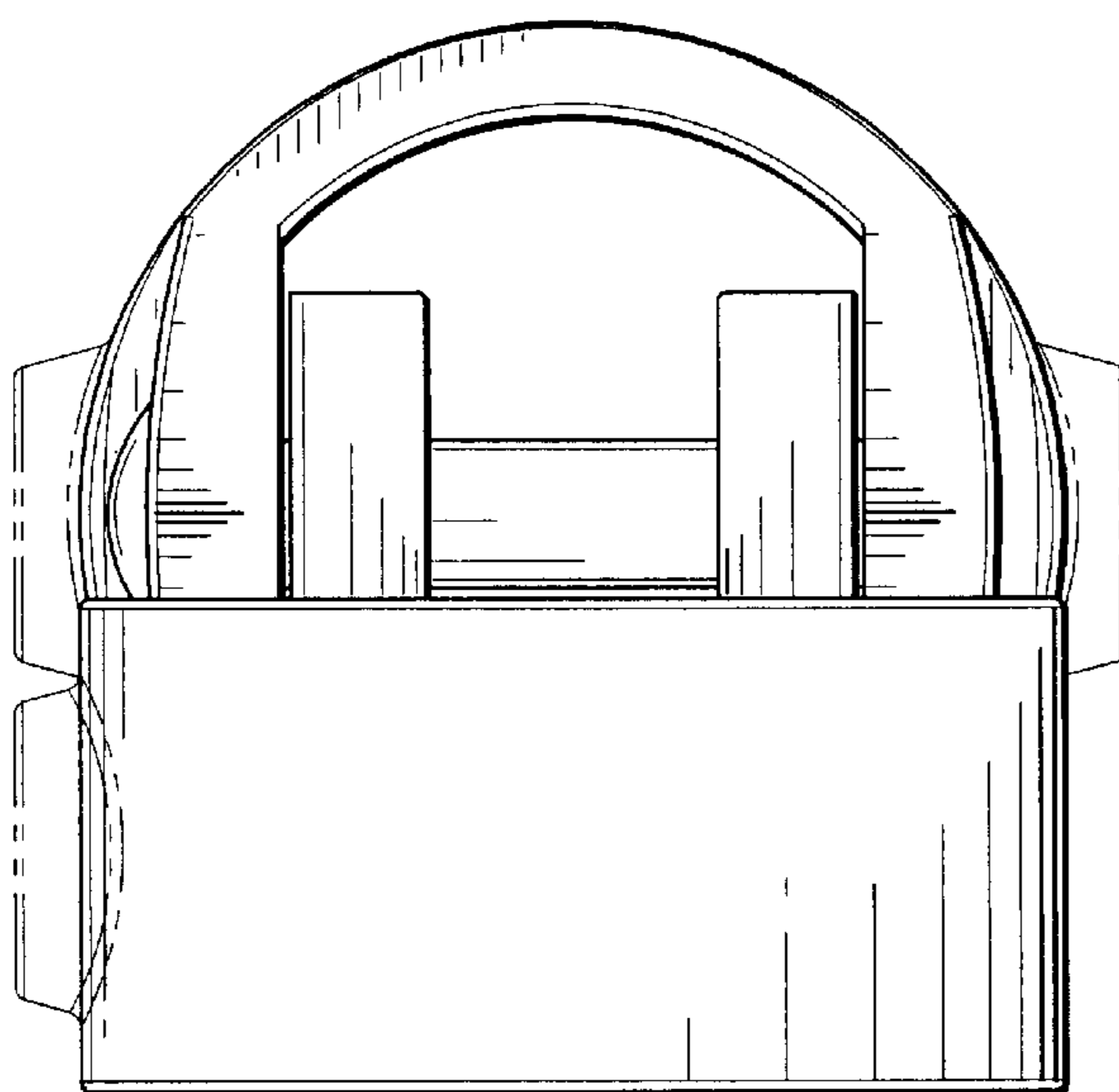


FIG. 6

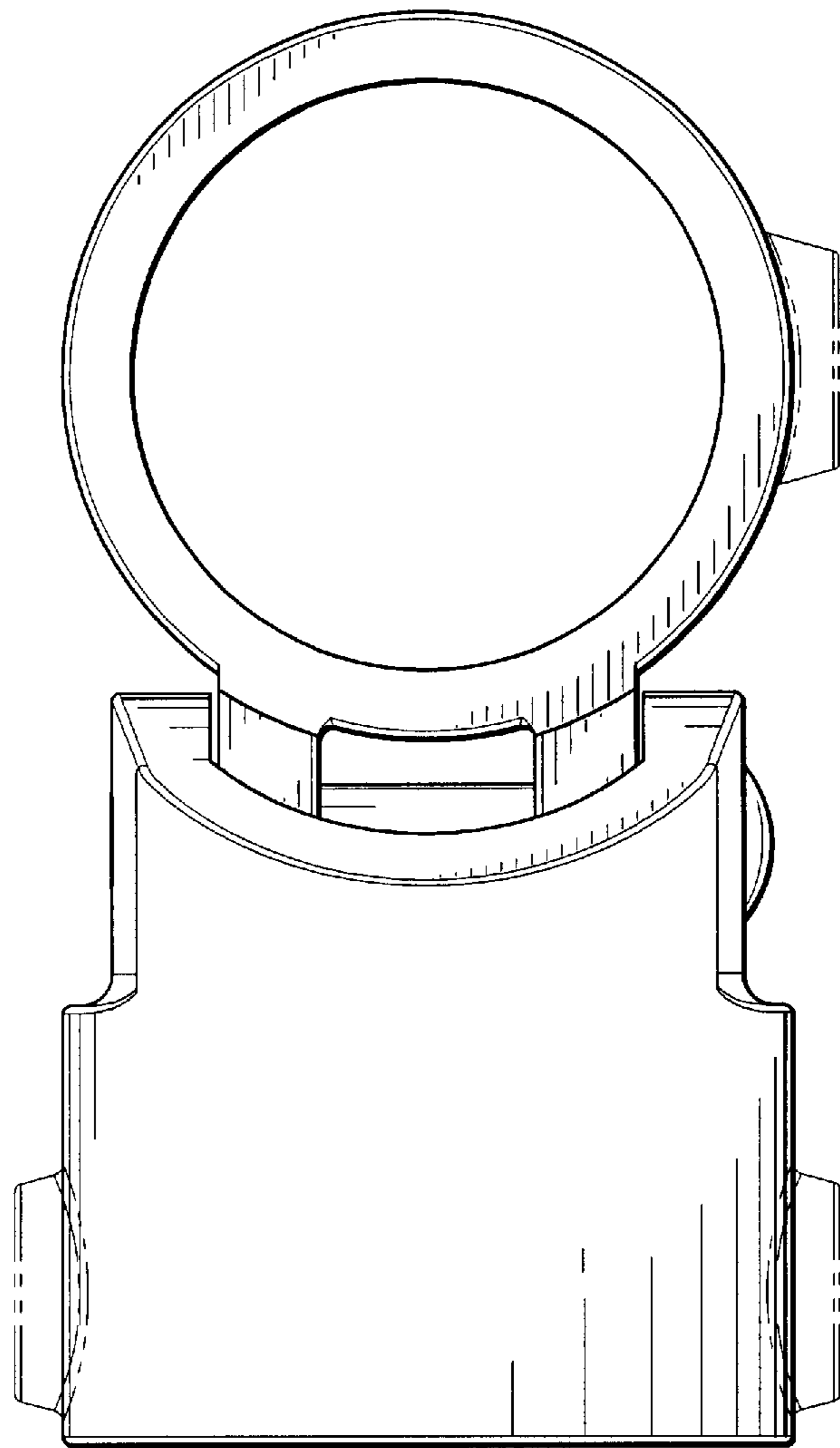


FIG. 5

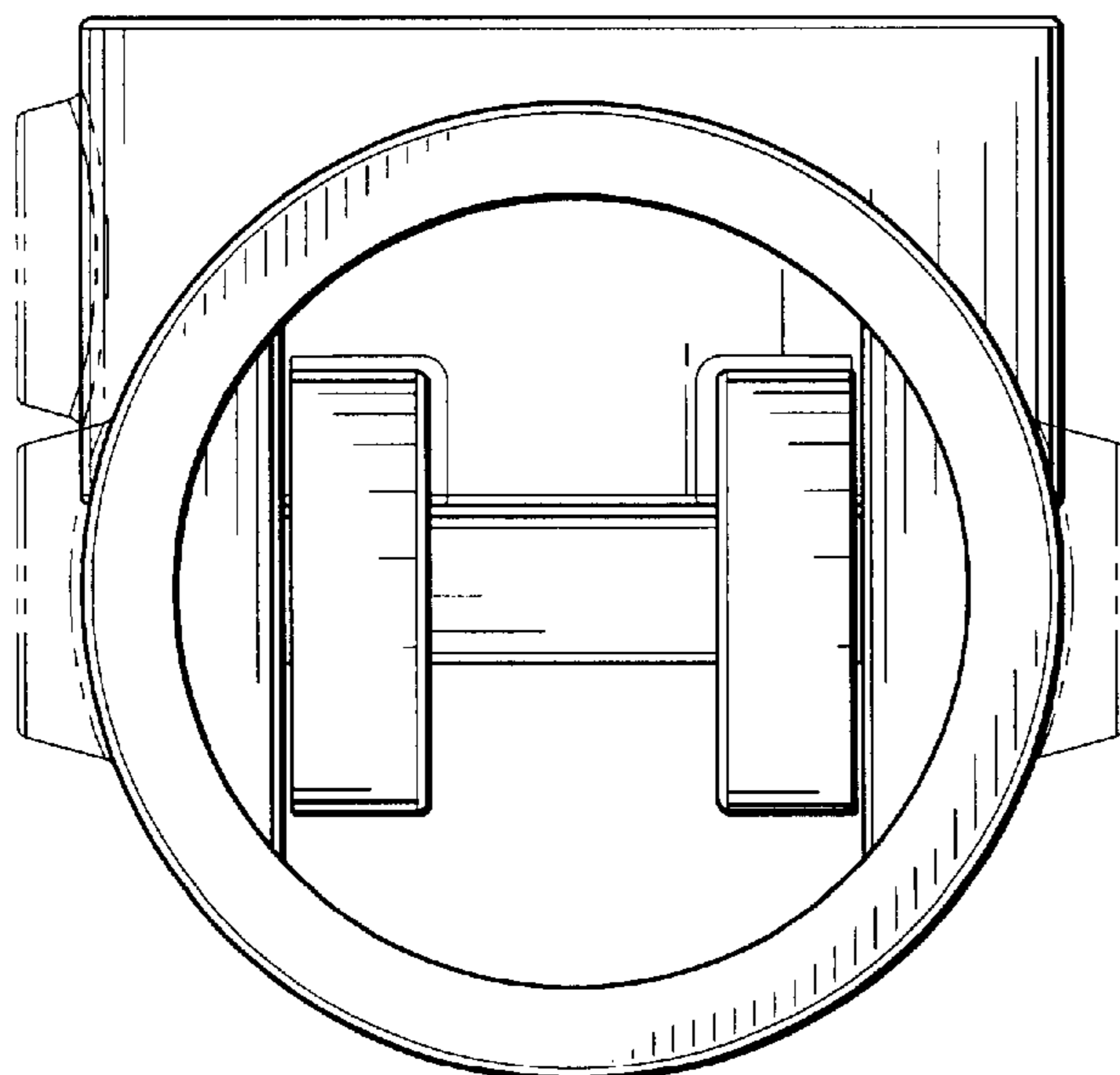


FIG. 7