

US00D495433S1

(12) **United States Design Patent**
Franson

(10) **Patent No.:** **US D495,433 S**

(45) **Date of Patent:** **** Aug. 31, 2004**

(54) **WINDOW COMPONENT EXTRUSION 8683 AND 8684**

Jeffrey R. Franson, Mikron Part No. 8227; First Drawn: Aug. 30, 2000; First Sold: Jan. 29, 2001.

(75) Inventor: **Jeffrey R. Franson**, Maple Valley, WA (US)

* cited by examiner

(73) Assignee: **Mikron Industries, Inc.**, Kent, WA (US)

Primary Examiner—Doris Clark
(74) *Attorney, Agent, or Firm*—Black Lowe & Graham PLLC

(**) Term: **14 Years**

(57) **CLAIM**

(21) Appl. No.: **29/192,937**

The ornamental design for a window component extrusion, as shown and described.

(22) Filed: **Oct. 31, 2003**

DESCRIPTION

(51) **LOC (7) Cl.** **25-01**

(52) **U.S. Cl.** **D25/124**

(58) **Field of Search** D25/124; 52/204.5; 49/504, DIG. 2

FIG. 1 is a top right perspective view of the window component extrusion which is broken in the center indicating indefinite length.

FIG. 2 is a bottom left perspective view of the window component extrusion shown in FIG. 1.

FIG. 3 is a top right perspective view of a second embodiment of the window component extrusion which is broken in the center indicating indefinite length; and,

FIG. 4 is a bottom left perspective view of the window component extrusion shown in FIG. 3.

(56) **References Cited**

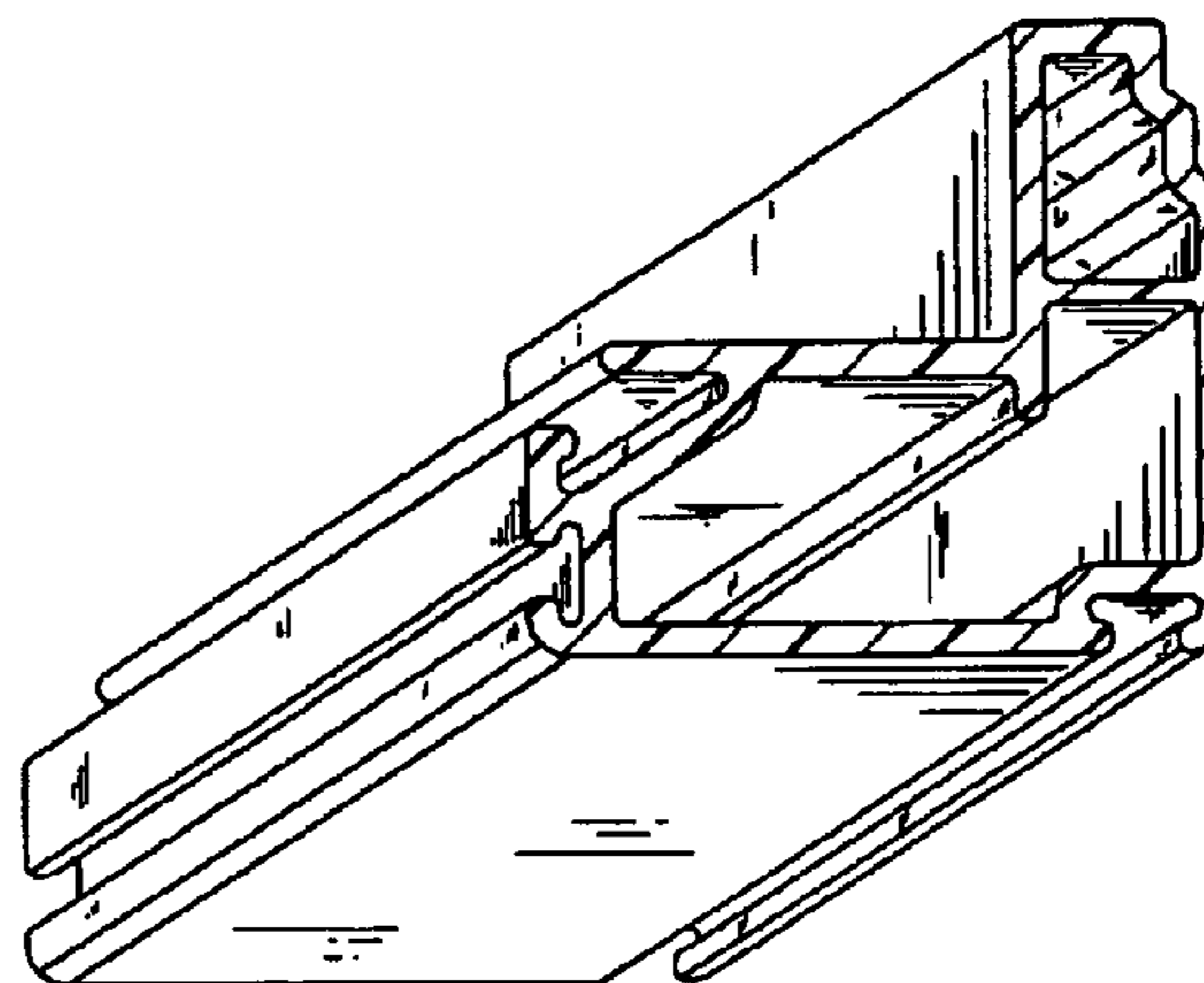
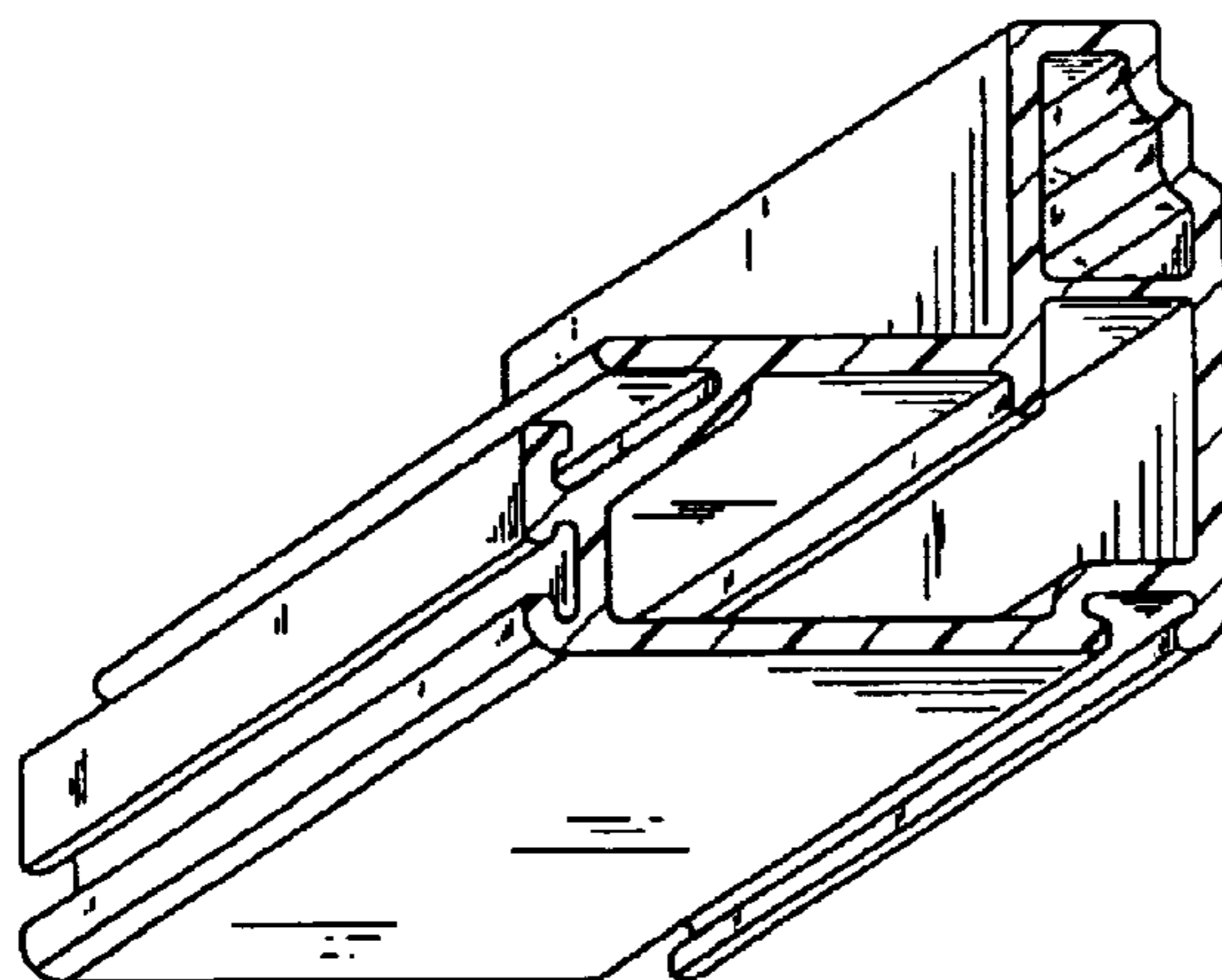
U.S. PATENT DOCUMENTS

D461,571 S * 8/2002 Ballard et al. D25/124

OTHER PUBLICATIONS

Jeffrey R. Franson, Mikron Part No. 7391; First Drawn: Jun. 7, 1996; First Sold: Sep. 19, 1996.

1 Claim, 2 Drawing Sheets



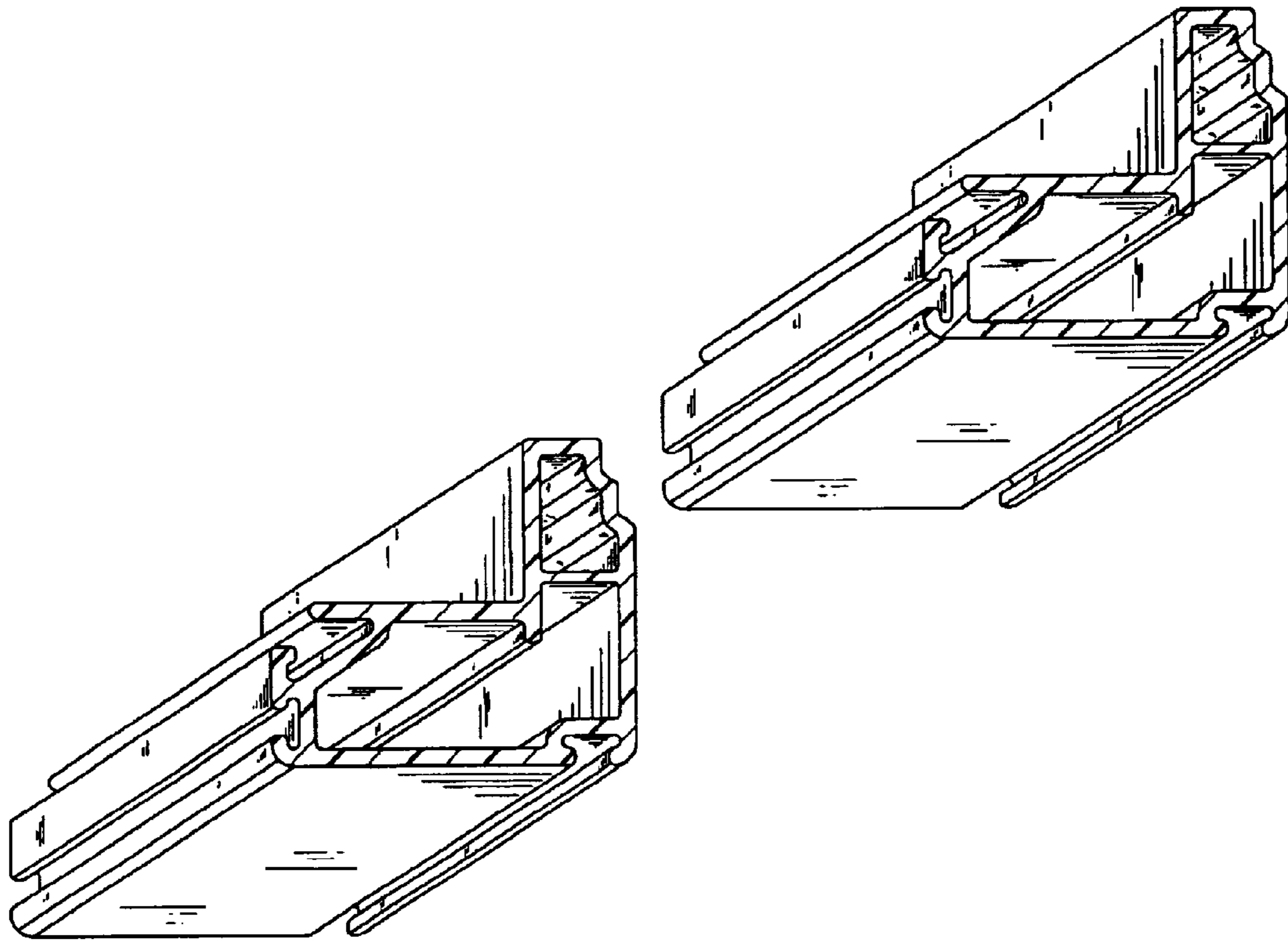


FIG. 1

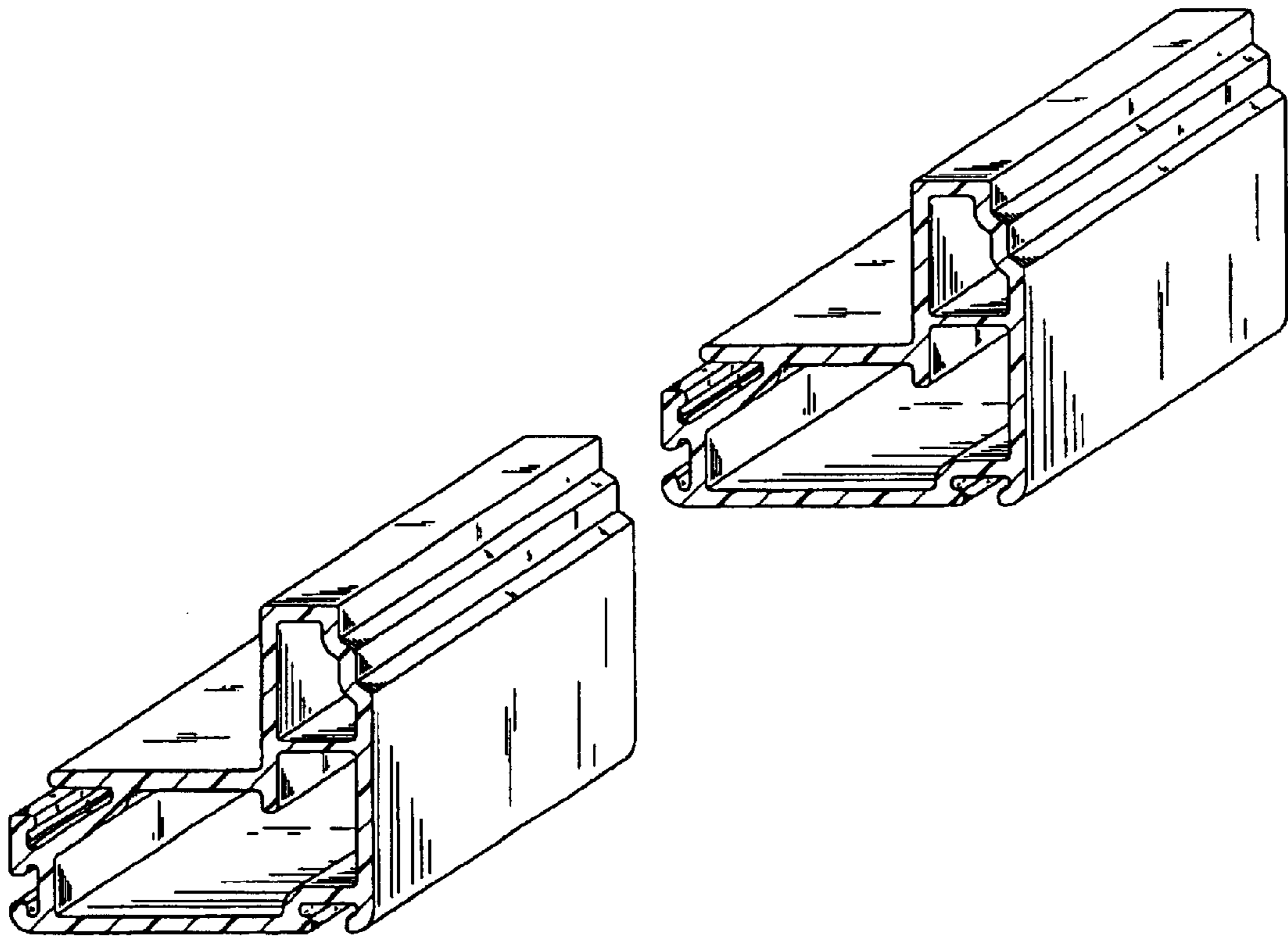


FIG. 2

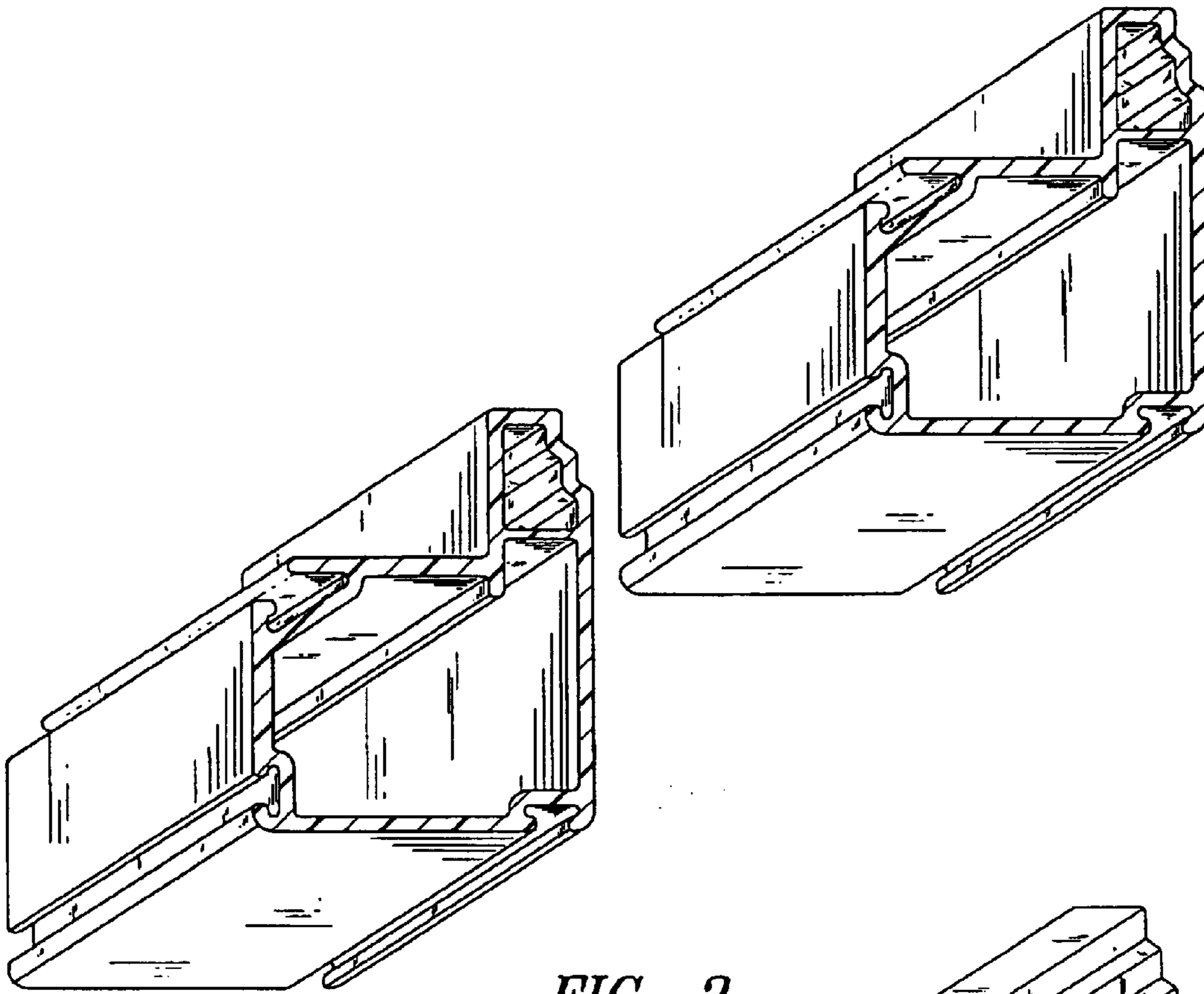


FIG. 3

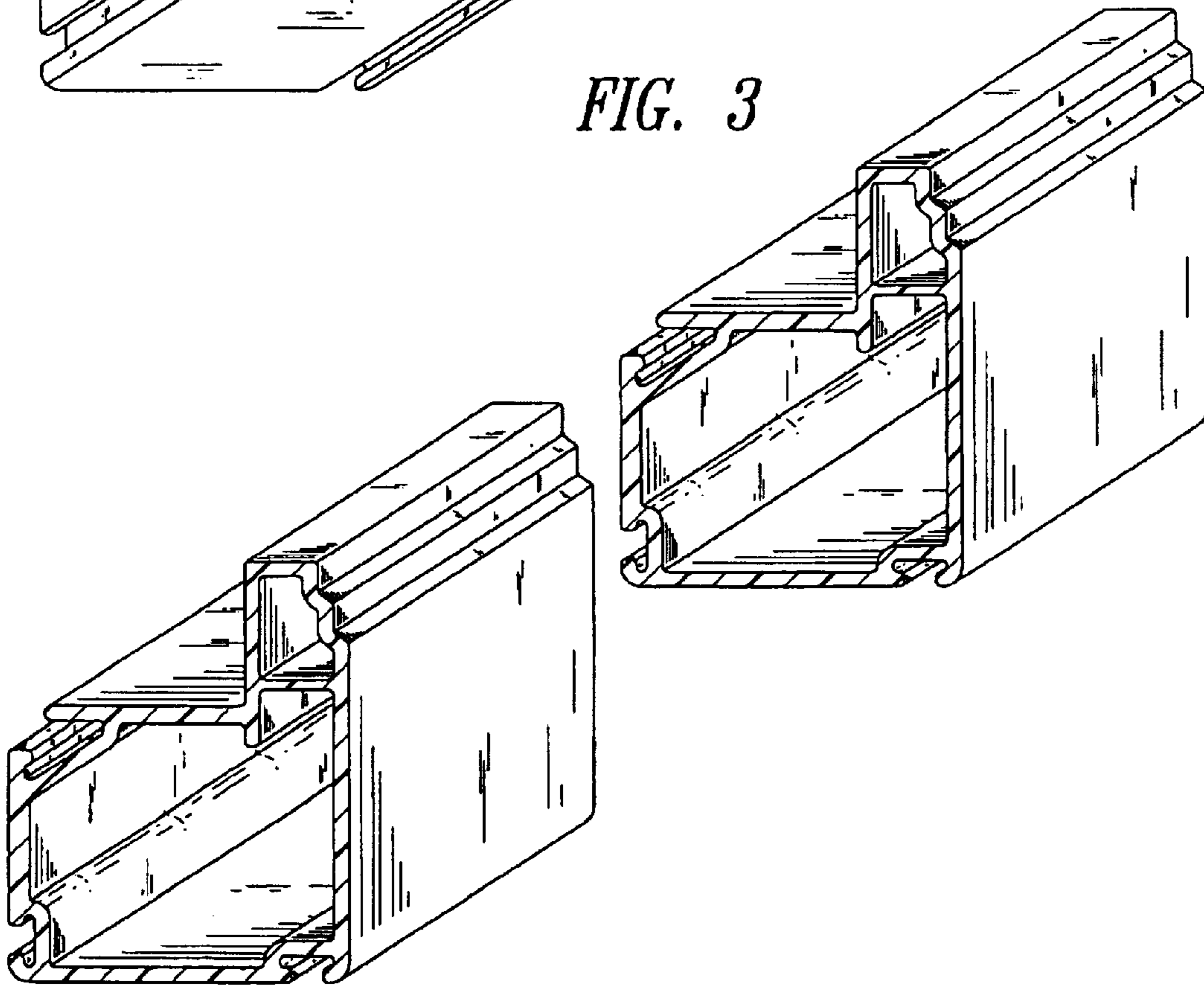


FIG. 4