

US00D495427S1

(12) **United States Design Patent** (10) **Patent No.:** **US D495,427 S**
Germany et al. (45) **Date of Patent:** **** Aug. 31, 2004**

(54) **TONGUE AND GROOVE SYSTEM**

(75) Inventors: **Robert Germany**, Benton, LA (US);
James Givens, Thornton, AR (US)

(73) Assignee: **Timberco, Inc.**, Madison, WI (US)

(**) Term: **14 Years**

(21) Appl. No.: **29/196,400**

(22) Filed: **Dec. 29, 2003**

(51) **LOC (7) Cl.** **25-01**

(52) **U.S. Cl.** **D25/113**

(58) **Field of Search** D25/112-116,
D25/118, 164; D21/484-486, 493, 499-502,
504-505; 405/16, 284; 404/19-20, 27-31,
34-42; 52/105, 574-575, 596-612

(56) **References Cited**

U.S. PATENT DOCUMENTS

| | | | | | |
|-------------|---|---------|---------------|-------|---------|
| 3,347,048 A | * | 10/1967 | Brown et al. | | D25/113 |
| 4,320,612 A | * | 3/1982 | Jeffries, Jr. | | D25/113 |
| D369,417 S | * | 4/1996 | Evans | | D25/118 |
| D481,135 S | * | 10/2003 | Dean et al. | | D25/113 |

* cited by examiner

Primary Examiner—Robert A. Delehanty
(74) *Attorney, Agent, or Firm*—Michael Best & Friedrich
LLP; Teresa J. Welch; Jeffrey D. Peterson

(57) **CLAIM**

The ornamental design for a tongue and groove system, as shown and described.

DESCRIPTION

FIG. 1 is a side view of the tongue and groove system with the tongue and groove together.

FIG. 2 is a side view of the tongue and groove system with the tongue and groove apart.

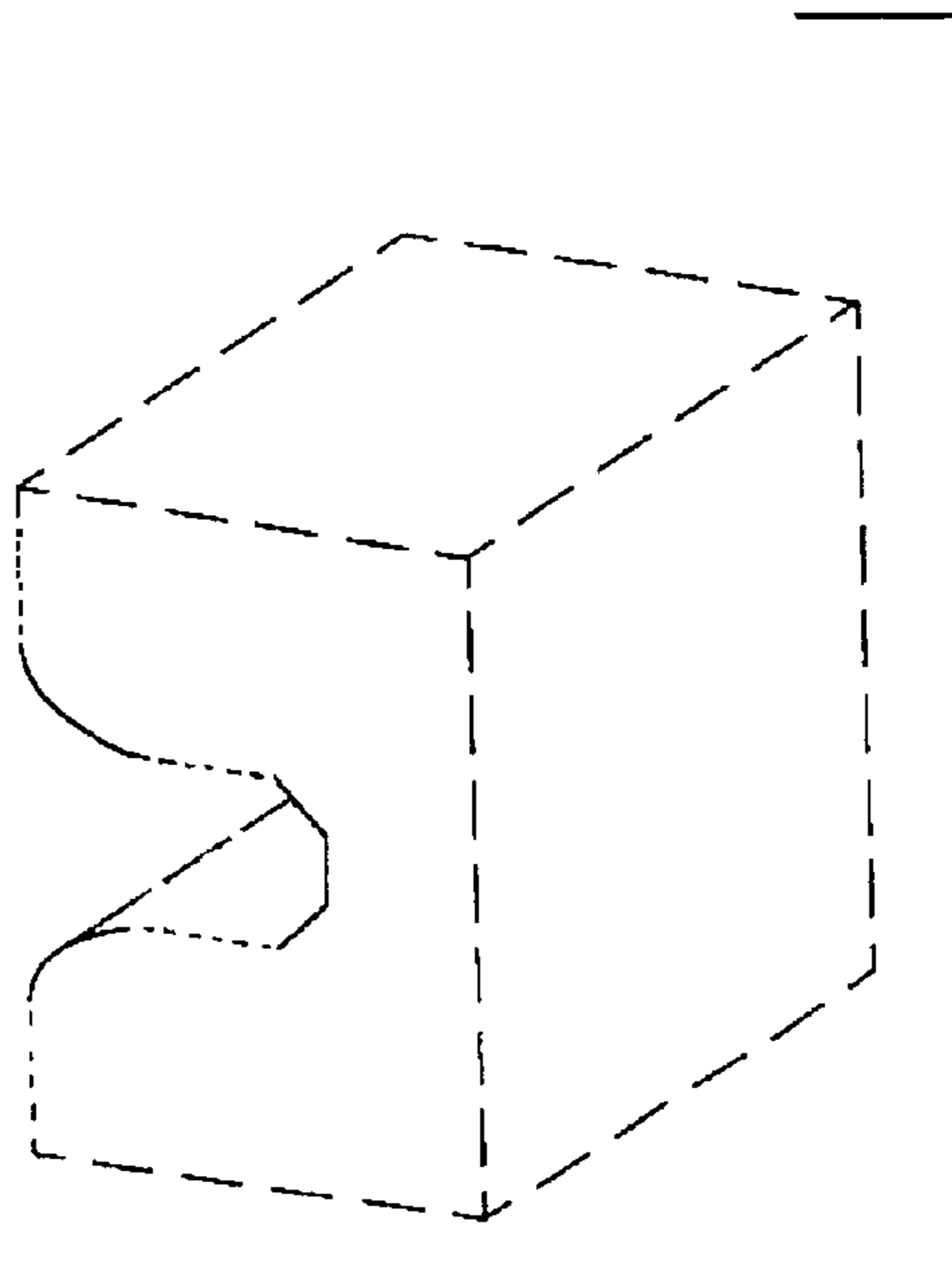
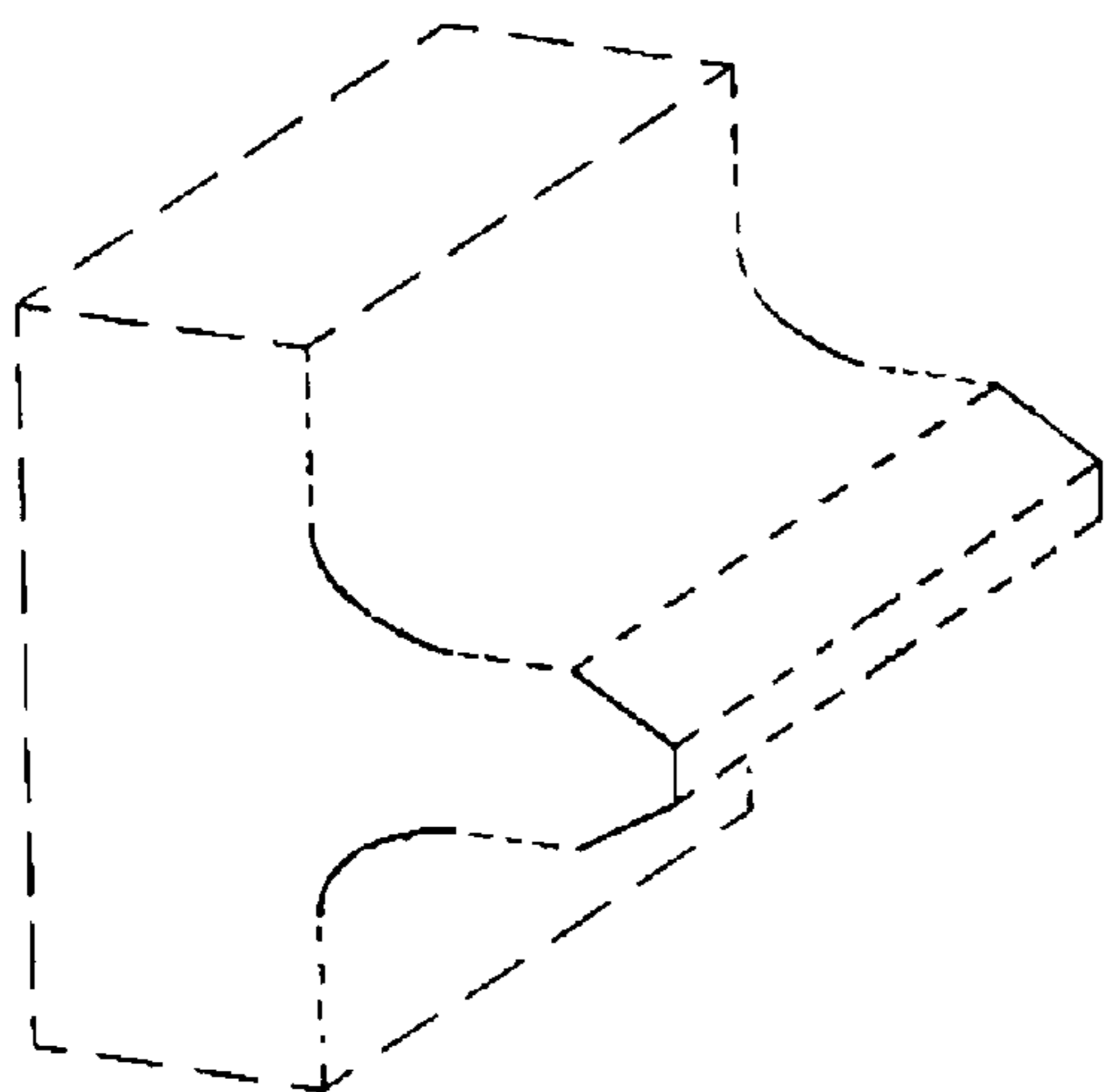
FIG. 3 is a side perspective view showing the tongue of the tongue and groove system.

FIG. 4 is a side perspective view showing the groove of the tongue and groove system; and,

FIG. 5 is a side perspective view of the tongue and groove system with the tongue and groove apart.

The present application is directed to the design illustrated in the drawings. The broken line portions of the disclosure are for illustrative purposes only and form no part of the claimed design.

1 Claim, 2 Drawing Sheets



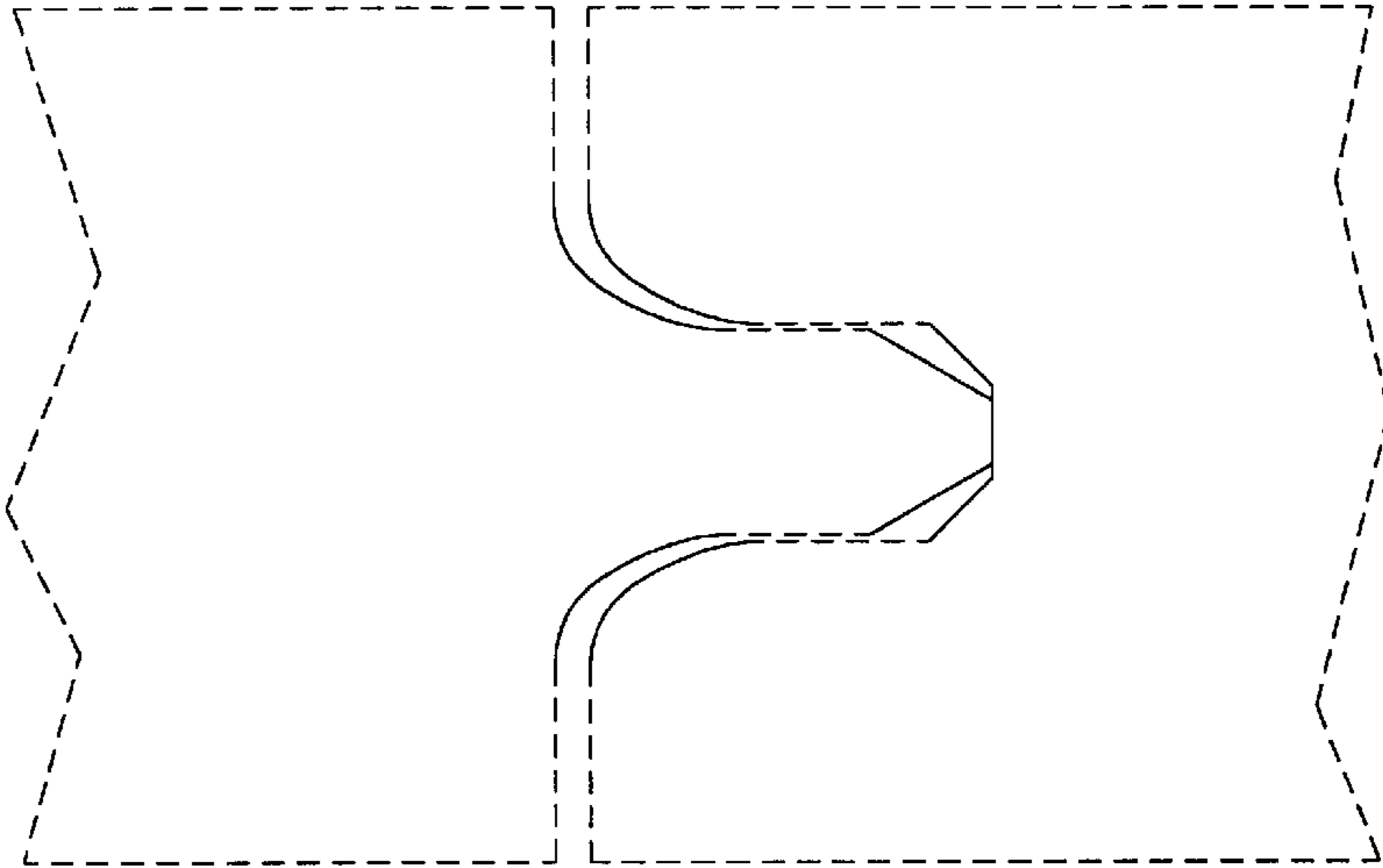


FIG. 1

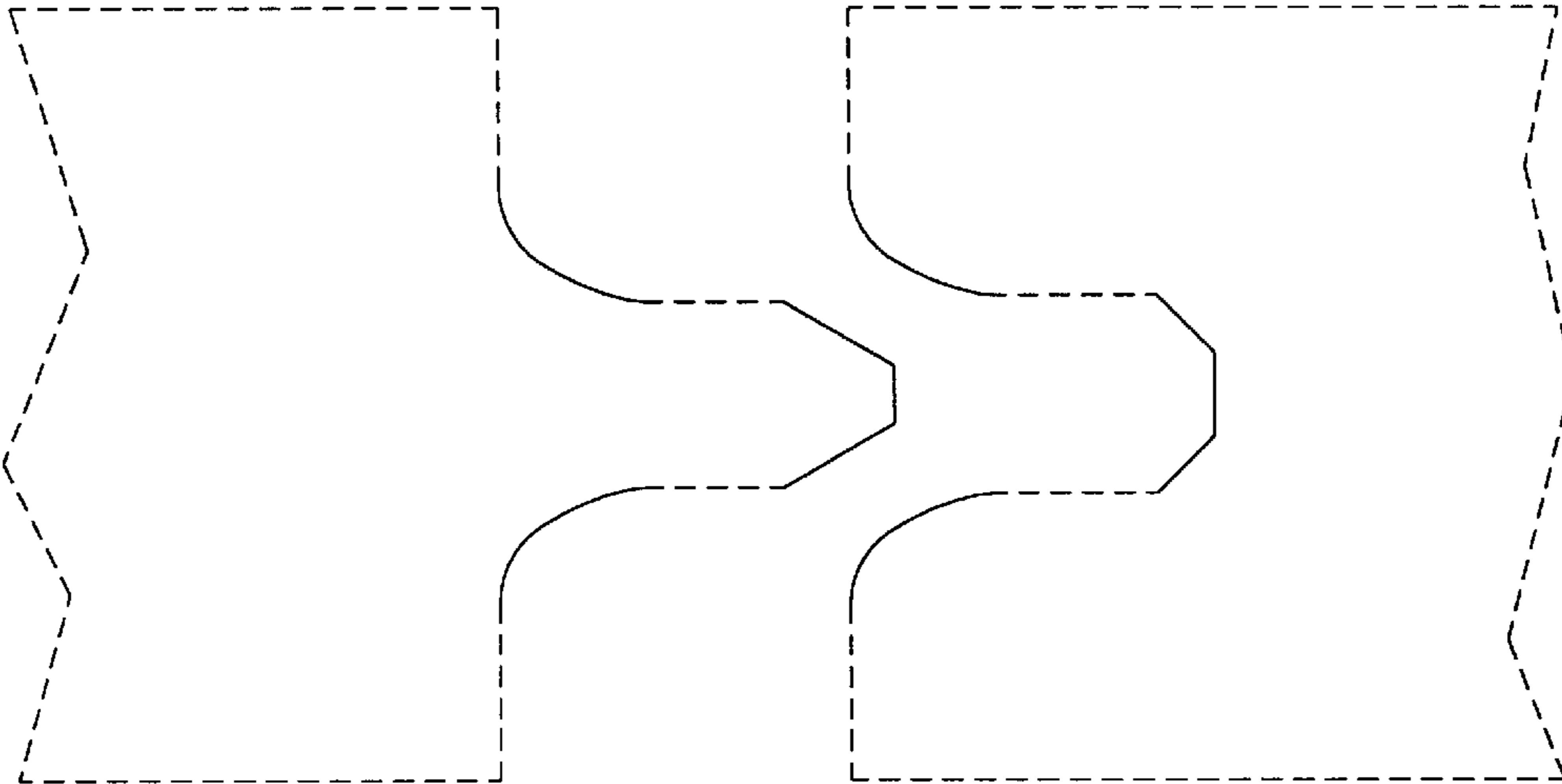


FIG. 2

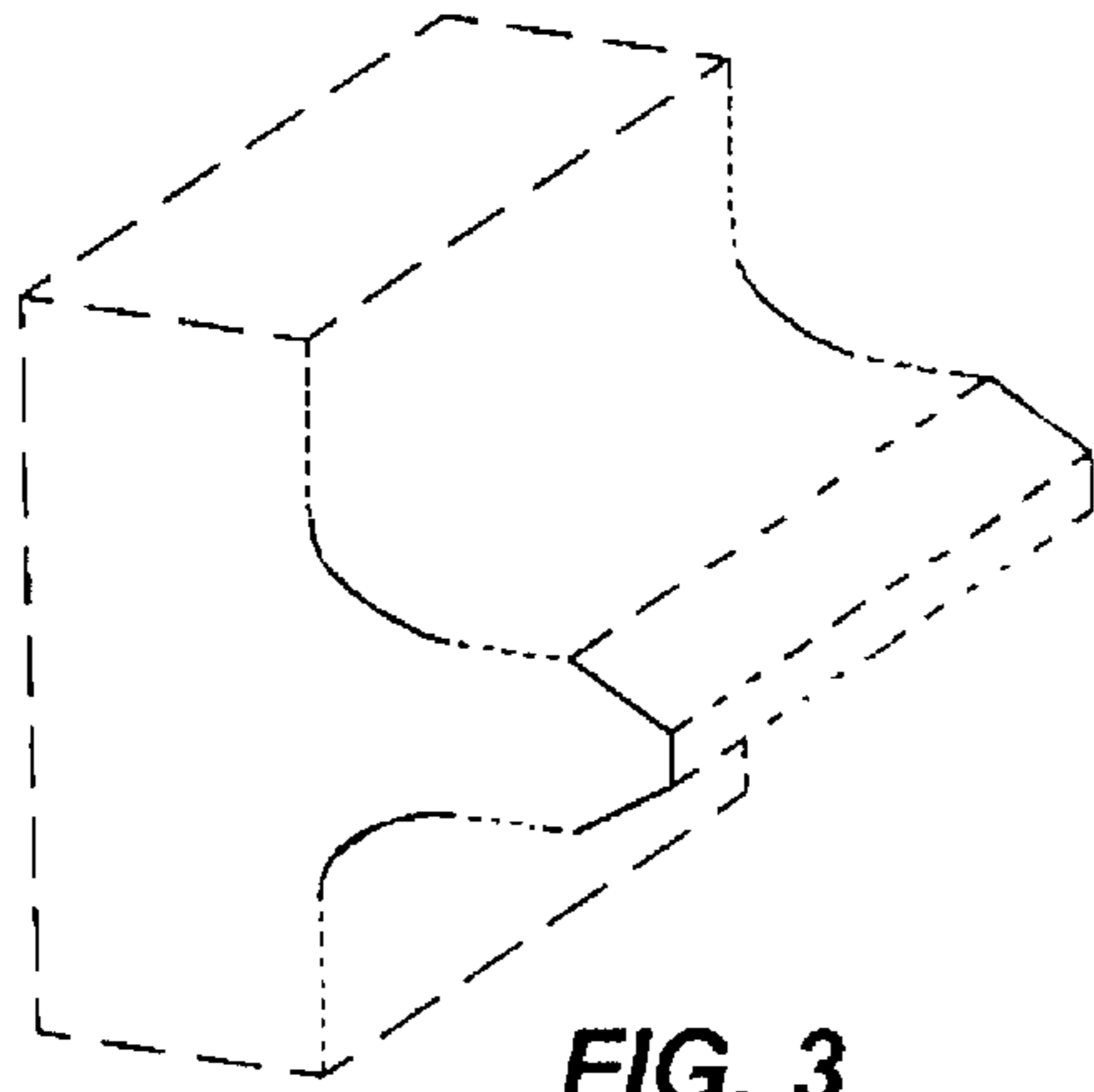


FIG. 3

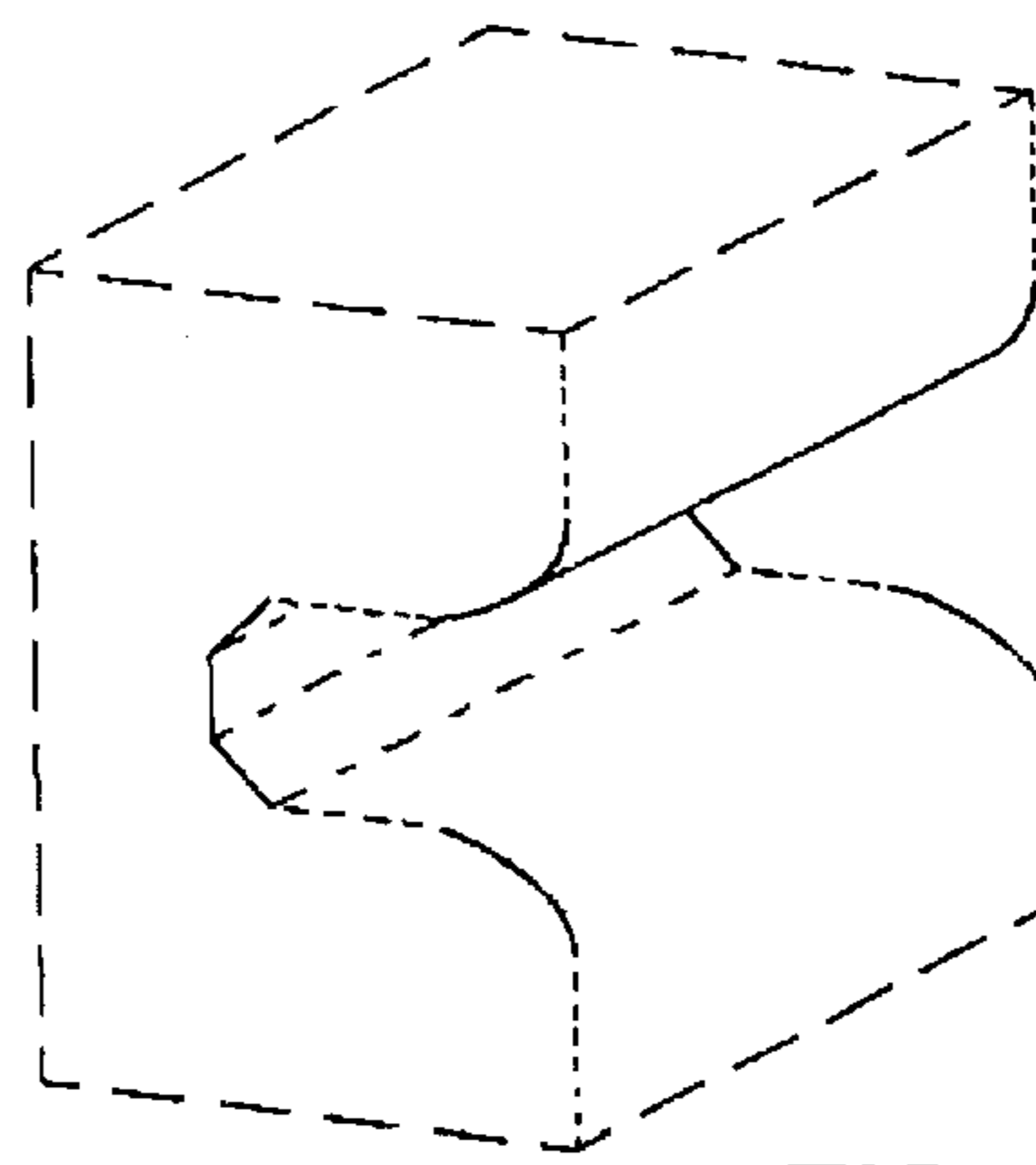


FIG. 4

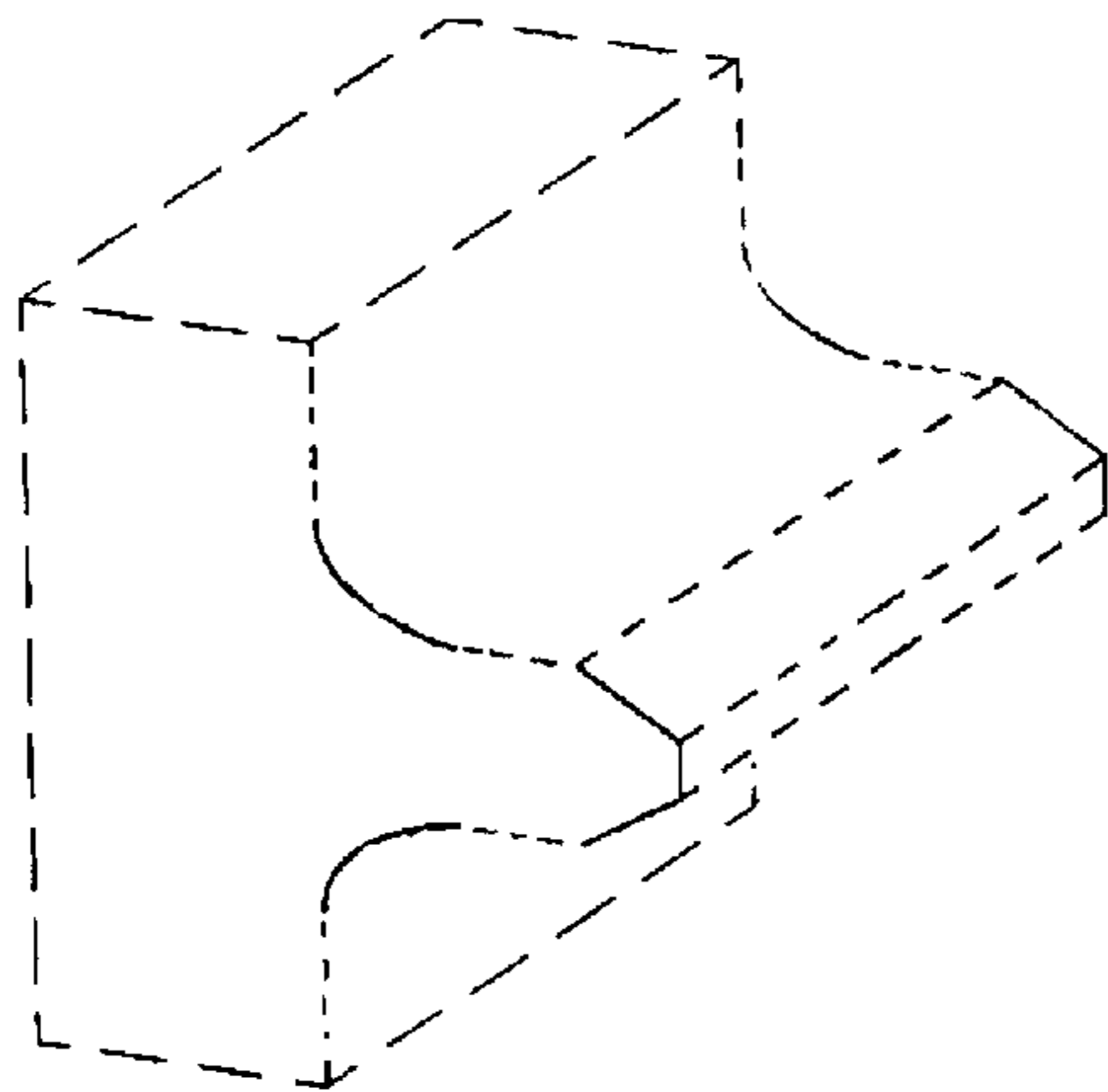


FIG. 5

