

US00D495425S1

(12) **United States Design Patent**  
**Goris et al.**

(10) **Patent No.:** **US D495,425 S**

(45) **Date of Patent:** **\*\* Aug. 31, 2004**

(54) **COVER TILE**

(75) Inventors: **George Goris**, Beaconsfield (AU);  
**Chester Henderson**, Collingwood  
(AU); **Andrew McLellan**, Surrey Hills  
(AU)

(73) Assignee: **Vision Biosystems, Limited**, Mount  
Waverly (AU)

(\*\*) Term: **14 Years**

(21) Appl. No.: **29/178,200**

(22) Filed: **Mar. 24, 2003**

(51) **LOC (7) Cl.** ..... **24-01**

(52) **U.S. Cl.** ..... **D24/225**

(58) **Field of Search** ..... D24/224, 216,  
D24/225, 226, 232; 356/244, 246; D16/131,  
136; 422/58, 99, 102, 104; 435/305.3

(56) **References Cited**

**U.S. PATENT DOCUMENTS**

D227,360 S \* 6/1973 Lou ..... D24/225  
D382,062 S \* 8/1997 Stevens et al. .... D24/225

D407,827 S \* 4/1999 Lahm et al. .... D24/224

\* cited by examiner

*Primary Examiner*—Ian Simmons

(74) *Attorney, Agent, or Firm*—Sughrue Mion, PLLC

(57) **CLAIM**

The ornamental design for a cover tile, as shown and described.

**DESCRIPTION**

FIG. 1 is a perspective view of the top, rear and left side of a cover tile, showing our new design;

FIG. 2 is a perspective view of the top, front and right side thereof;

FIG. 3 is a bottom plan view thereof;

FIG. 4 is a top plan view thereof;

FIG. 5 is a front elevational view thereof, the rear elevational view being a mirror image thereof;

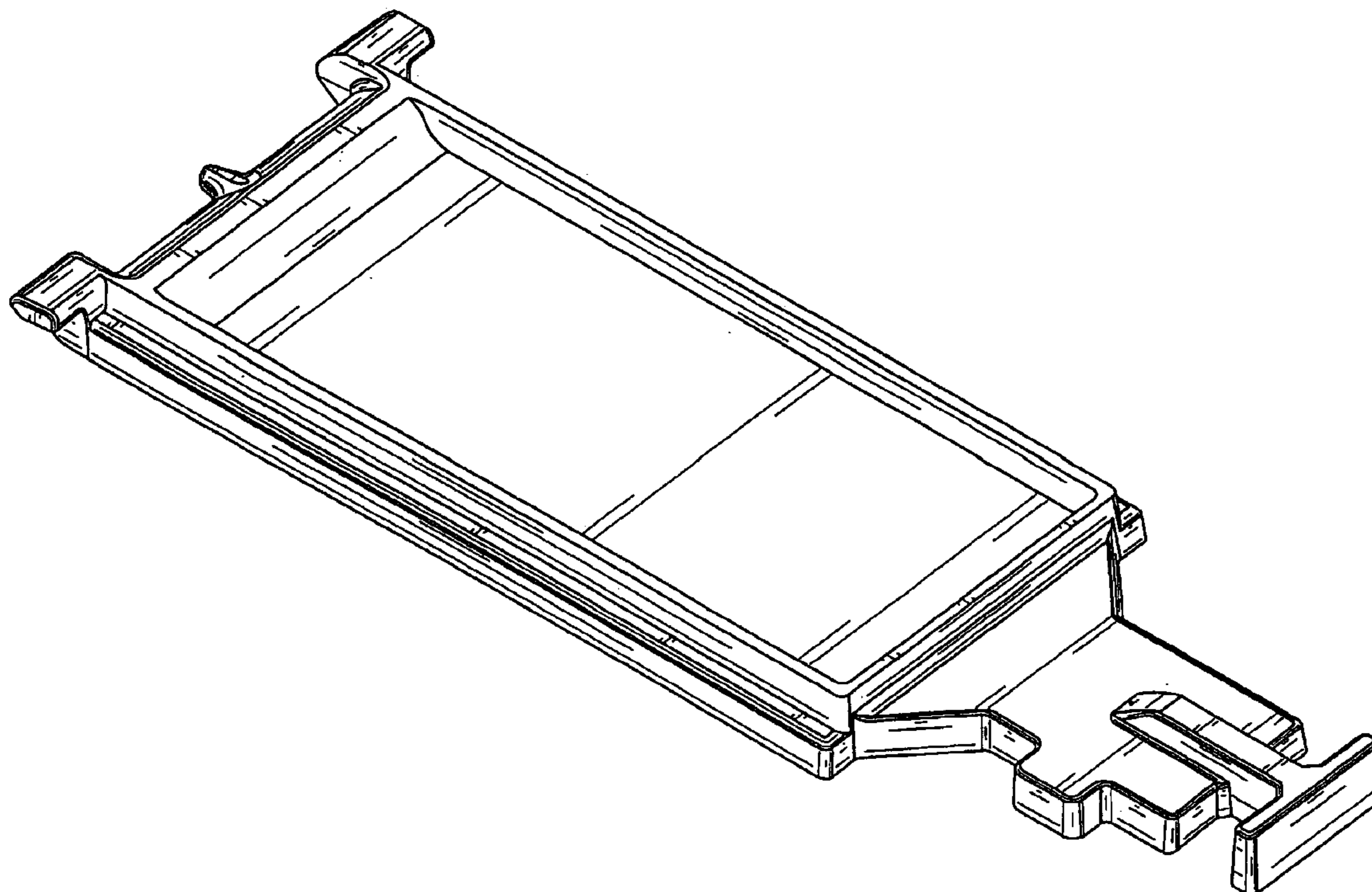
FIG. 6 is a left side elevational view thereof;

FIG. 7 is a right side elevational view thereof;

FIG. 8 is a top plan view thereof; and,

FIG. 9 is a cross-sectional view thereof, taken along the line 9—9 of FIG. 8.

**1 Claim, 8 Drawing Sheets**



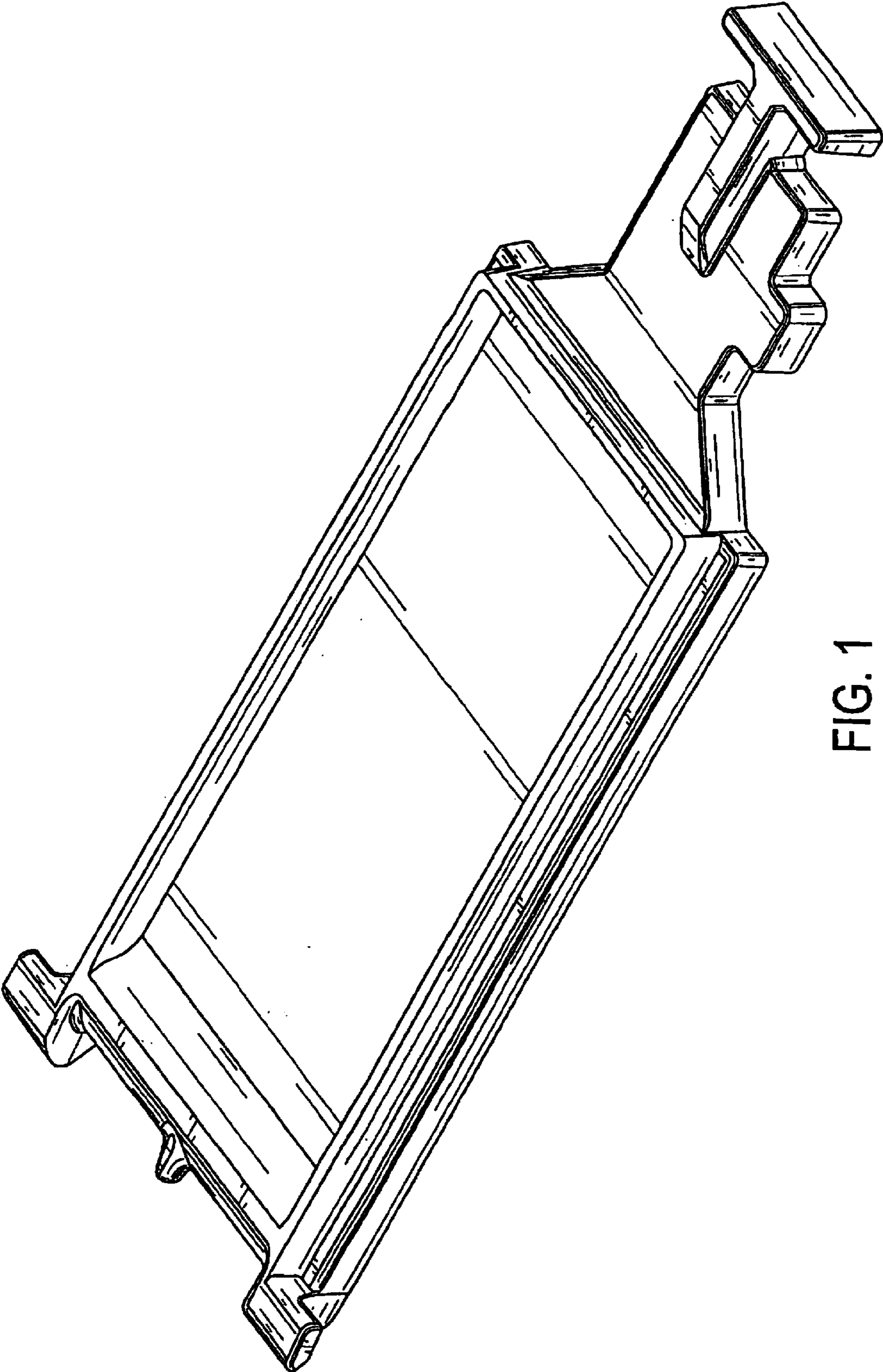


FIG. 1

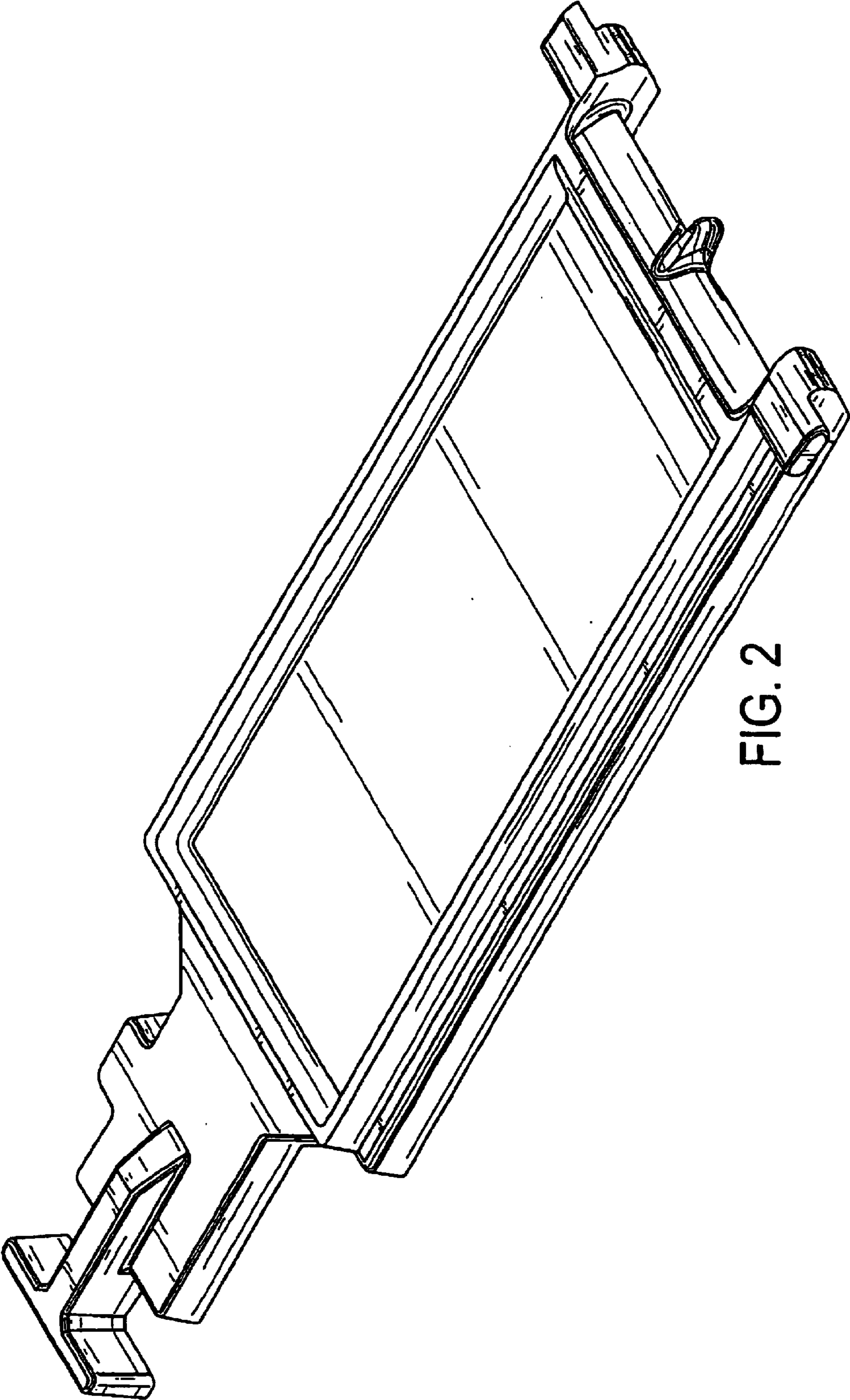


FIG. 2

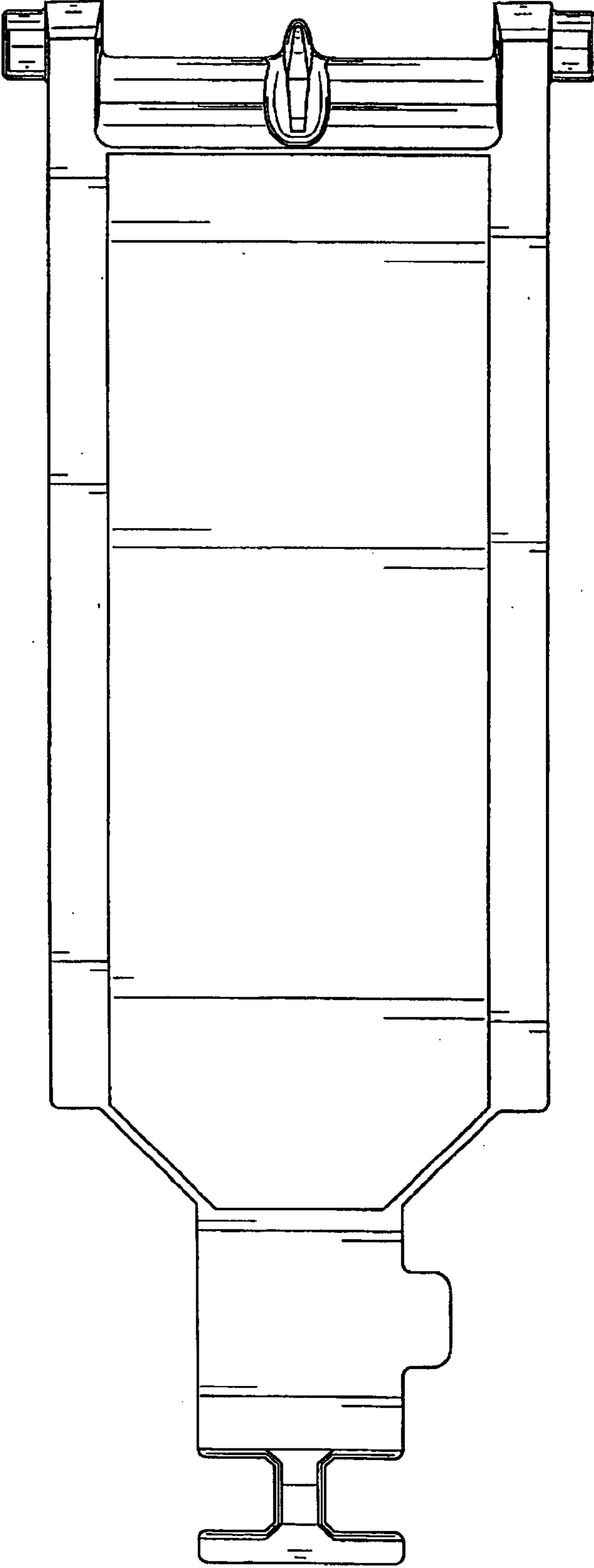


FIG. 3

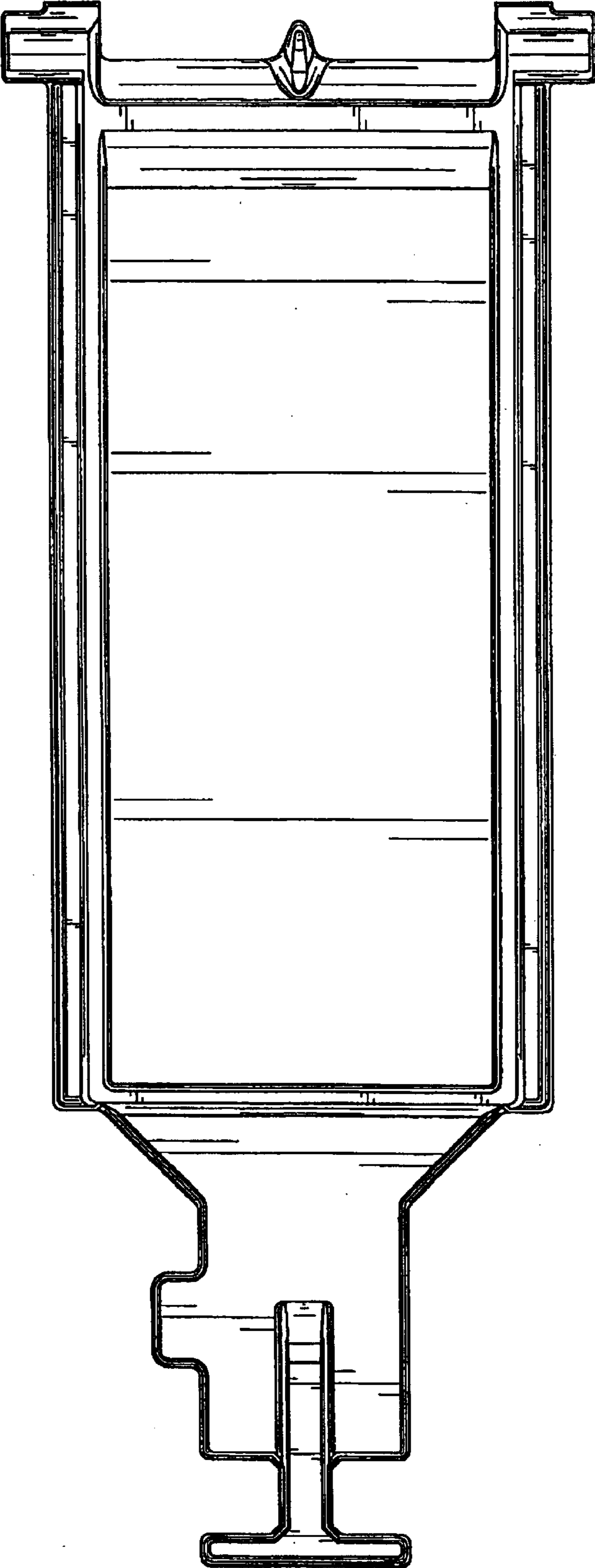


FIG. 4



FIG. 5

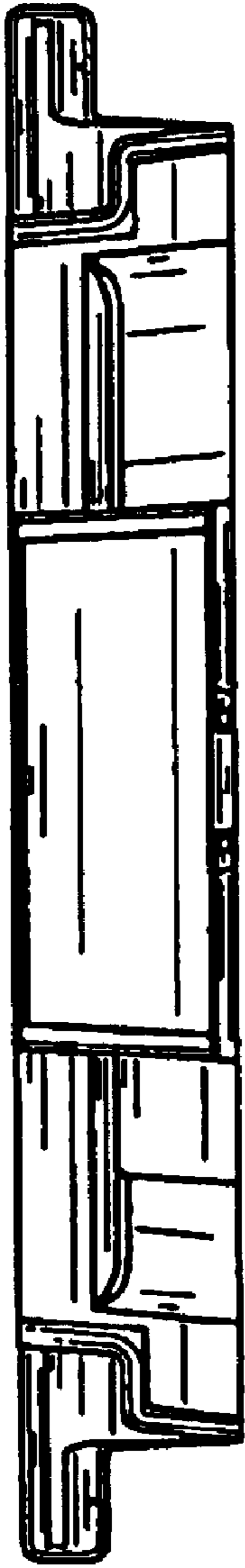


FIG. 6

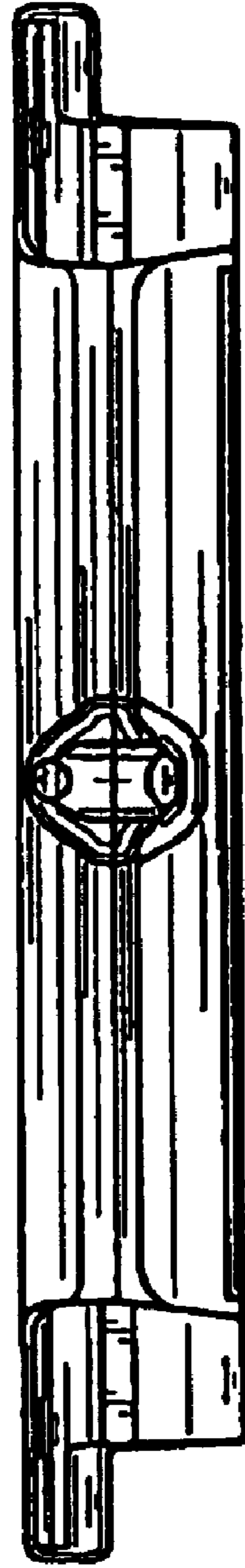


FIG. 7

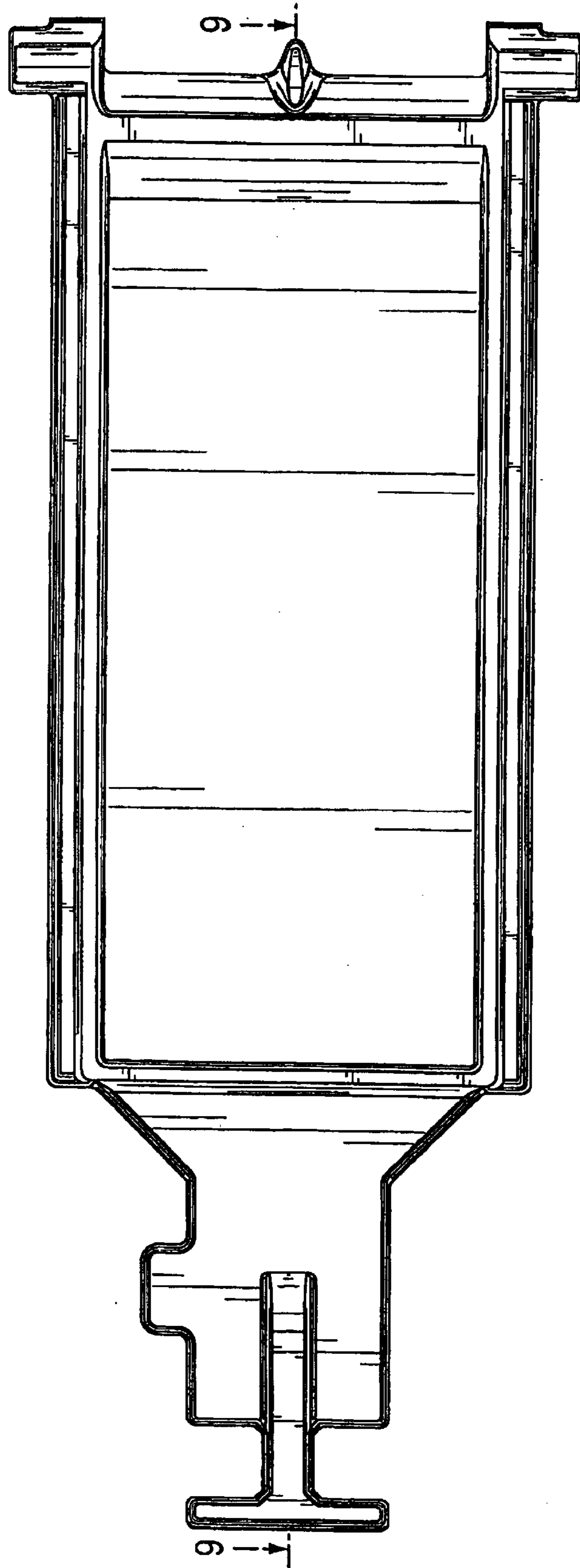


FIG. 8



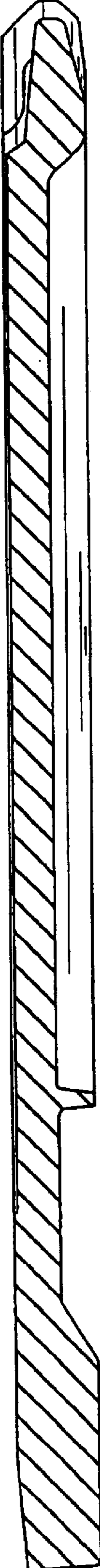


FIG. 9