

US00D495411S1

(12) **United States Design Patent**  
**Chen**

(10) **Patent No.:** **US D495,411 S**

(45) **Date of Patent:** **\*\* Aug. 31, 2004**

(54) **CEILING FAN HOUSING**

(74) *Attorney, Agent, or Firm*—Charles E. Baxley

(76) **Inventor:** **Chia-Teh Chen**, 5 Fl., No. 30, Yi Shian Rd., Sungshan Chu, Taipei City (TW)

(57) **CLAIM**

The ornamental design for a ceiling fan housing, as shown and described.

(\*\*) **Term:** **14 Years**

**DESCRIPTION**

(21) **Appl. No.:** **29/191,929**

FIG. 1 is a perspective view of a ceiling fan housing showing my new design;

(22) **Filed:** **Oct. 15, 2003**

FIG. 2 is a front elevational view thereof;

(51) **LOC (7) Cl.** ..... **23-04**

FIG. 3 is a rear elevational view thereof,

(52) **U.S. Cl.** ..... **D23/377**

FIG. 4 is a left side elevational view thereof,

(58) **Field of Search** ..... D23/377, 379,  
D23/385, 411, 413; 416/5

FIG. 5 is a right side elevational view thereof,

FIG. 6 is a top plan view thereof; and,

(56) **References Cited**

FIG. 7 is a bottom plan view to that shown.

**U.S. PATENT DOCUMENTS**

FIG. 8 is a perspective view thereof;

D476,408 S \* 6/2003 Hidalgo ..... D23/411

FIG. 9 is a perspective view thereof; and,

D480,133 S \* 9/2003 Chen ..... D23/411

FIG. 10 is a perspective view thereof.

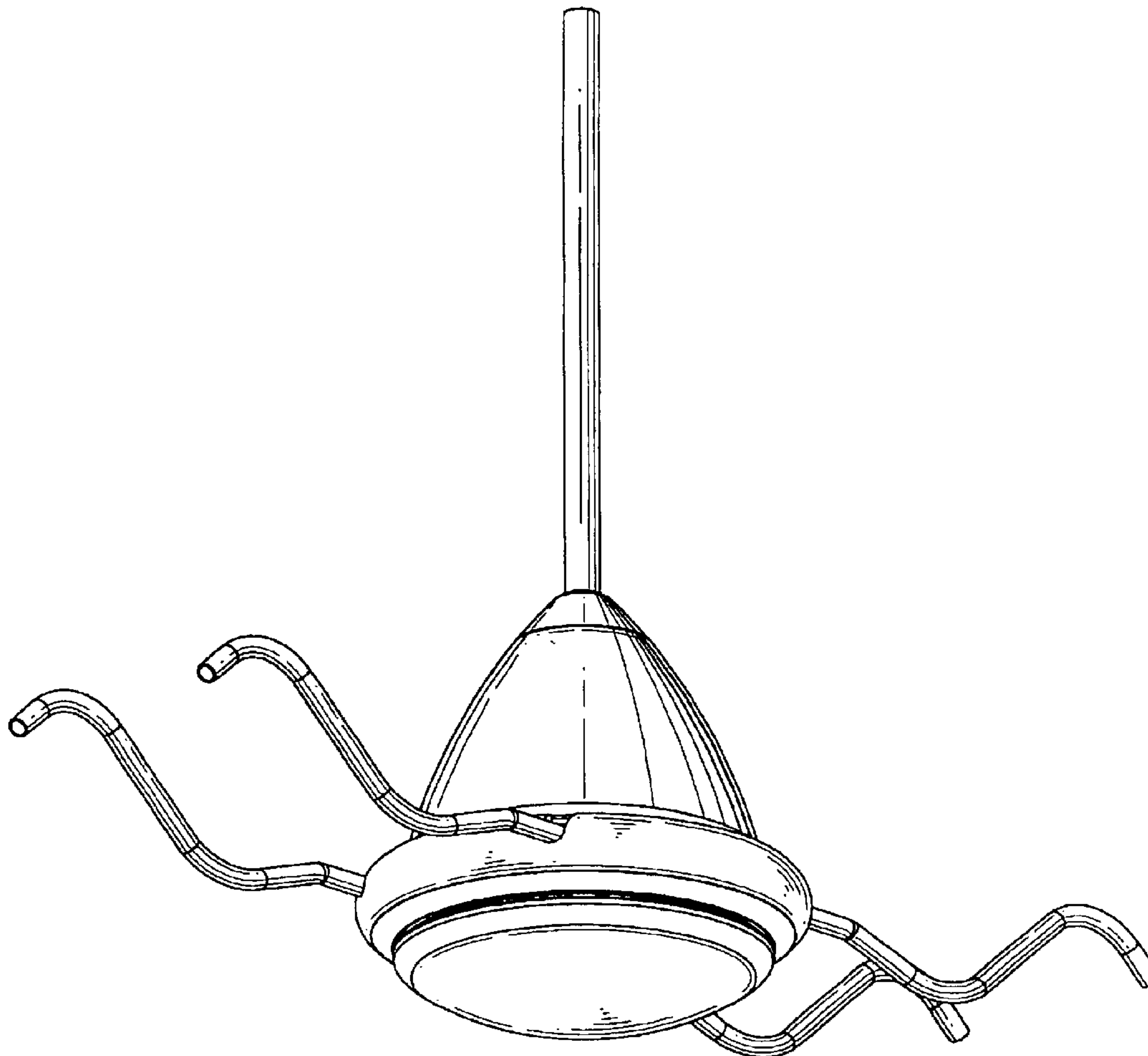
D483,847 S \* 12/2003 Tai ..... D23/377

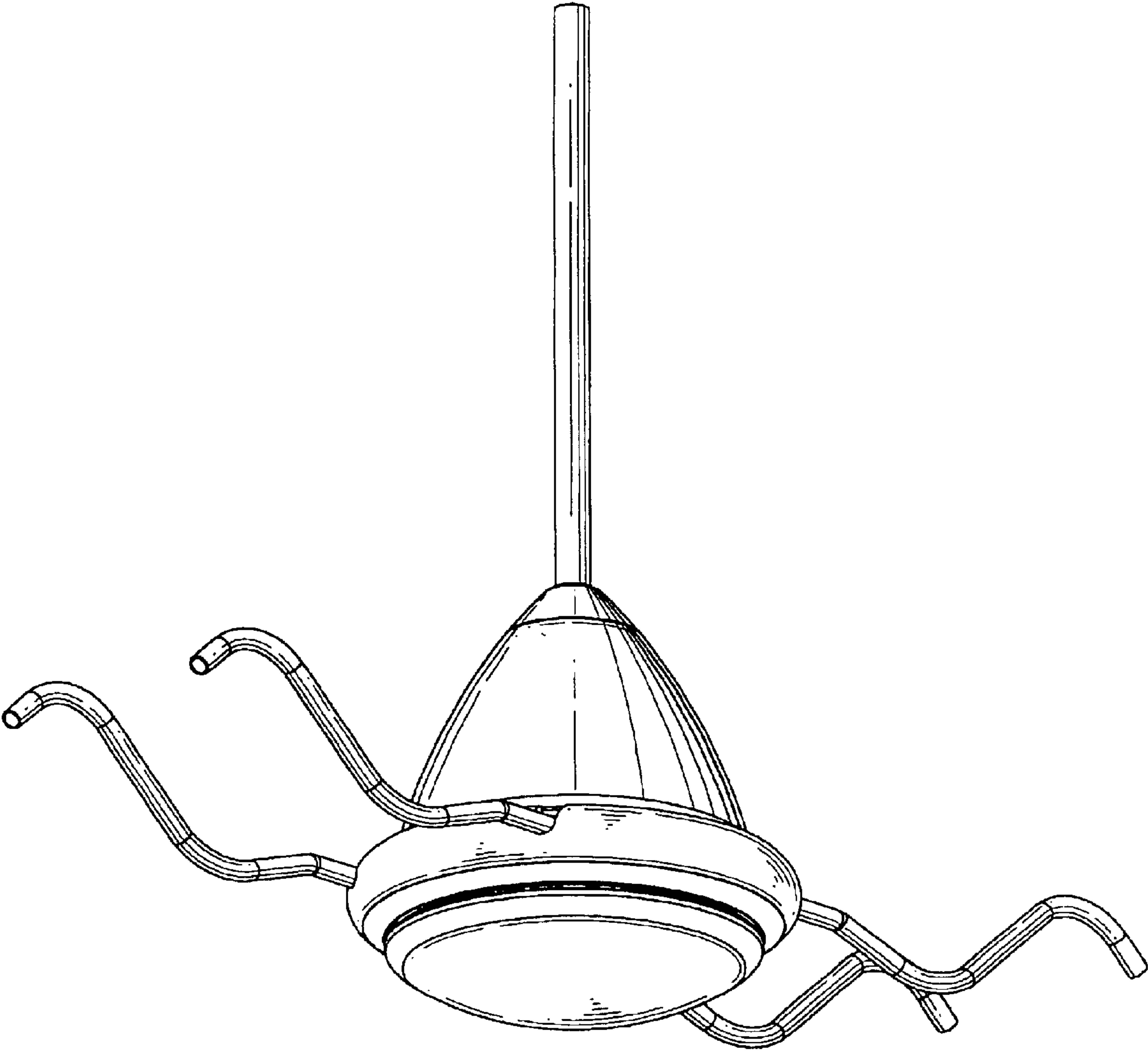
The broken line showing of environmental structure is for illustrative purposes only and forms no part of the claimed design.

\* cited by examiner

*Primary Examiner*—Lisa Lichtenstein

**1 Claim, 8 Drawing Sheets**





F I G. 1

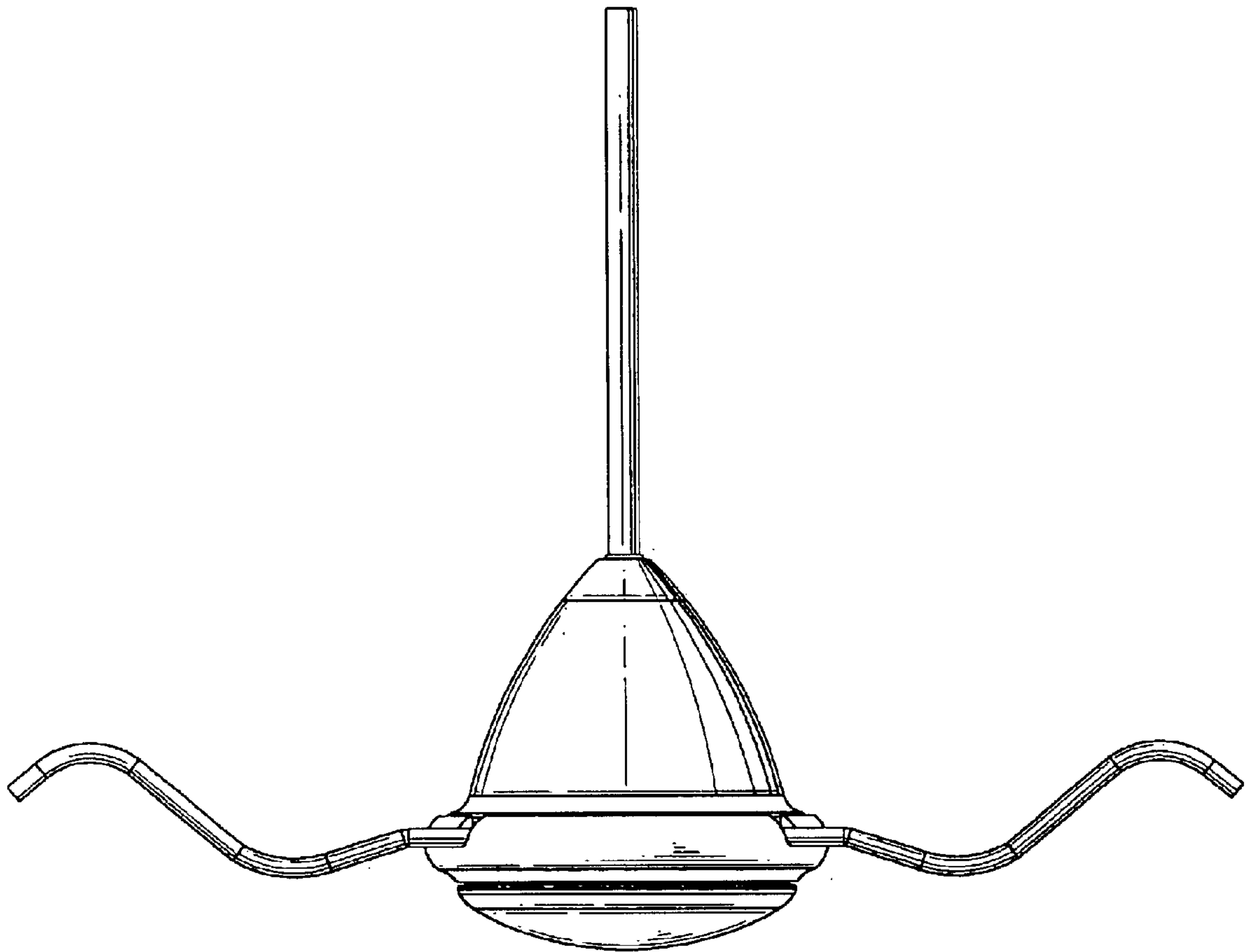
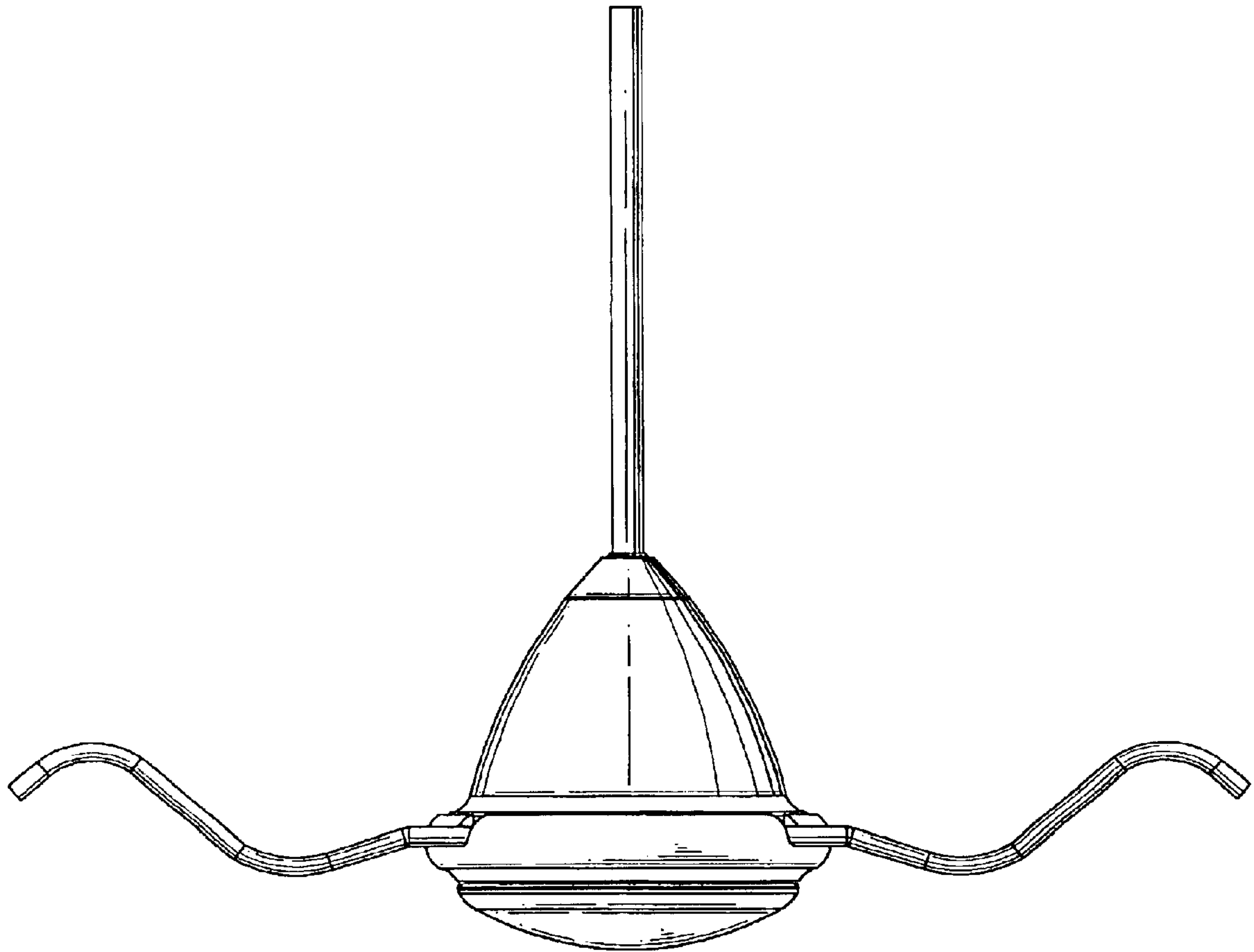


FIG. 2



F I G. 3

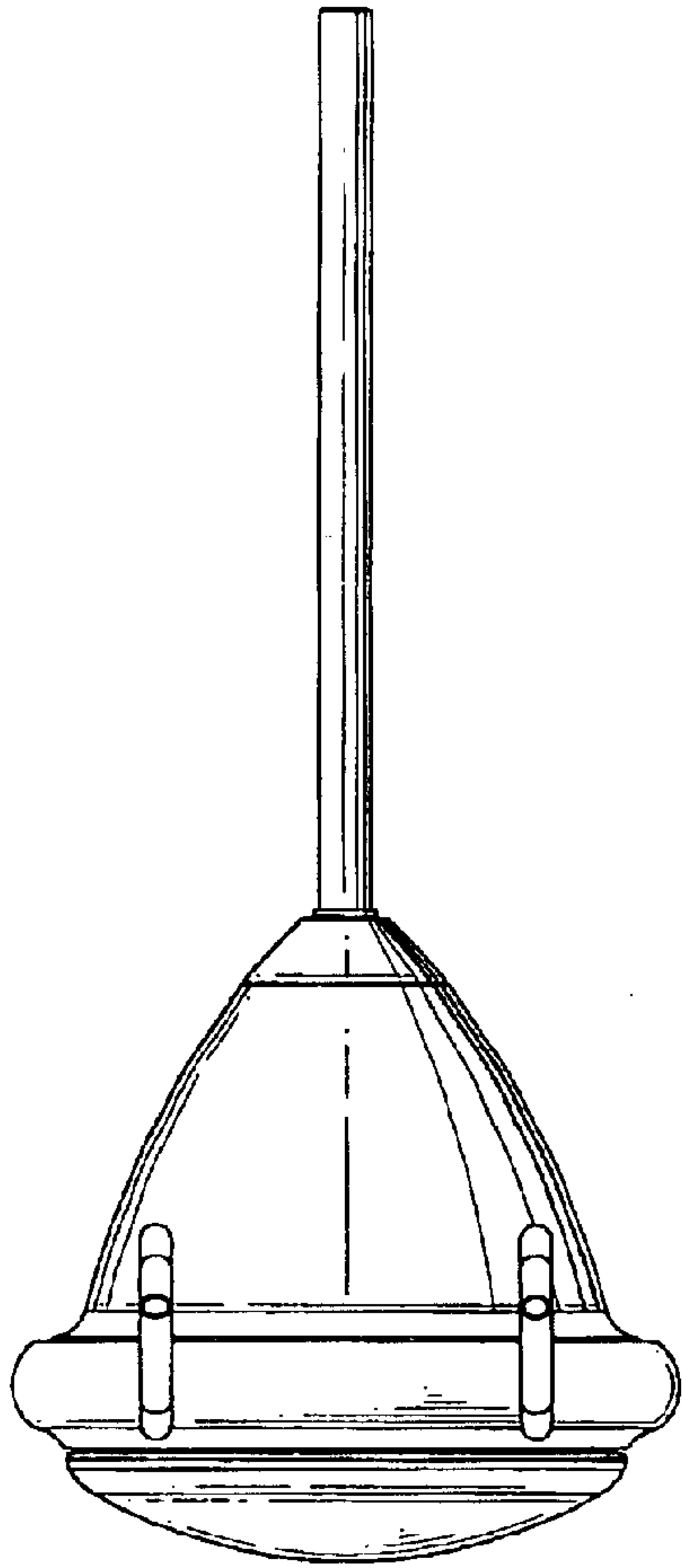


FIG. 4

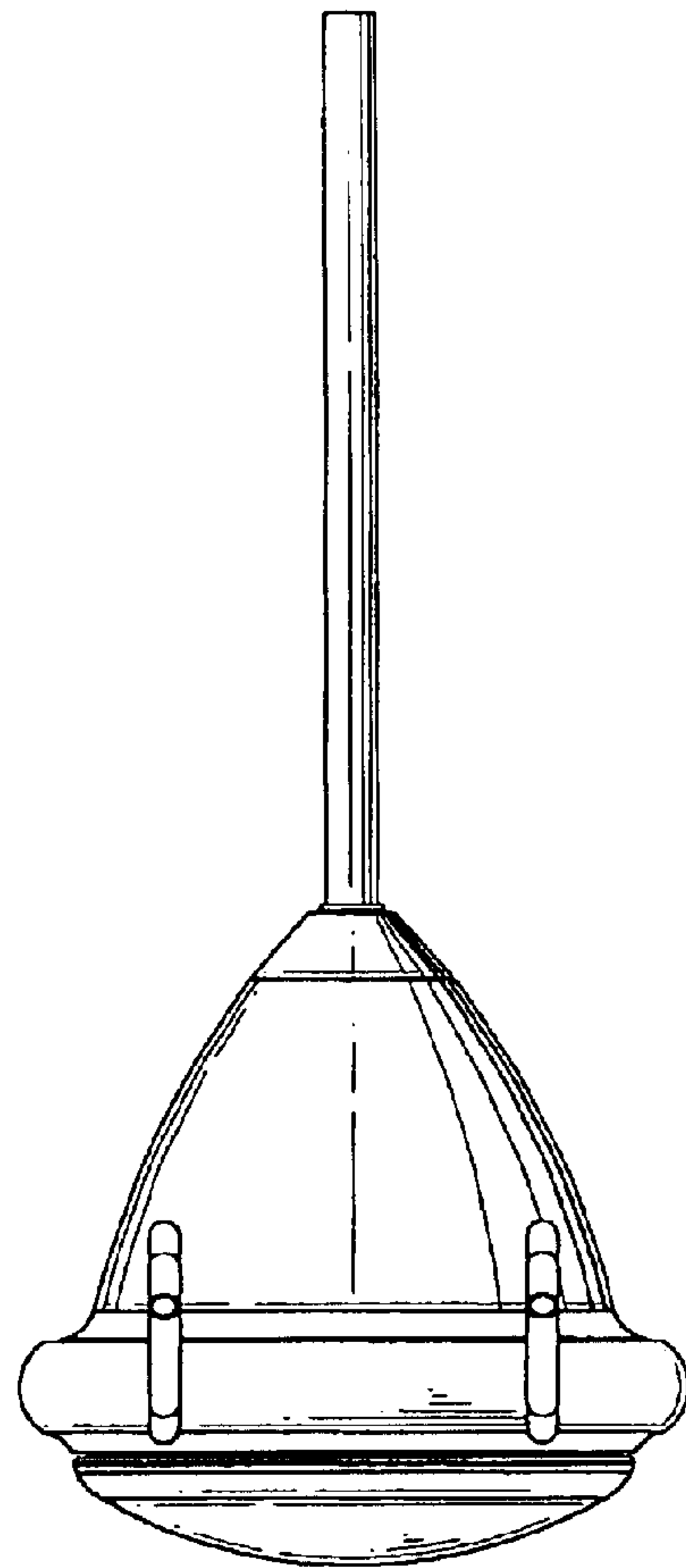
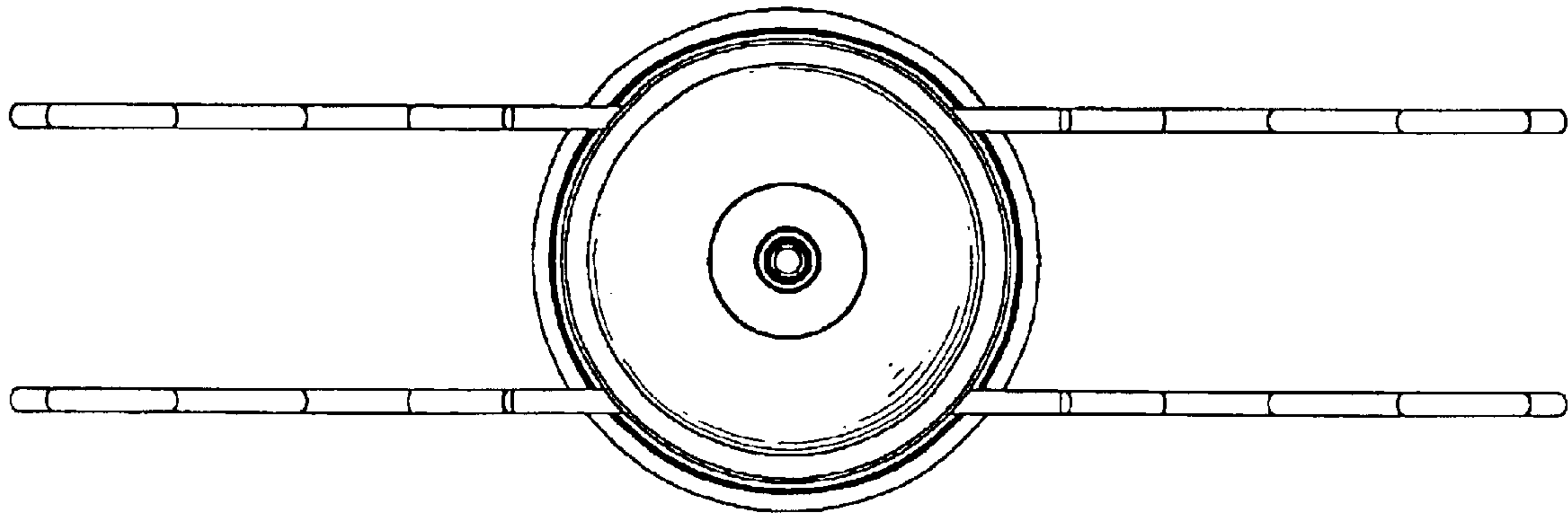
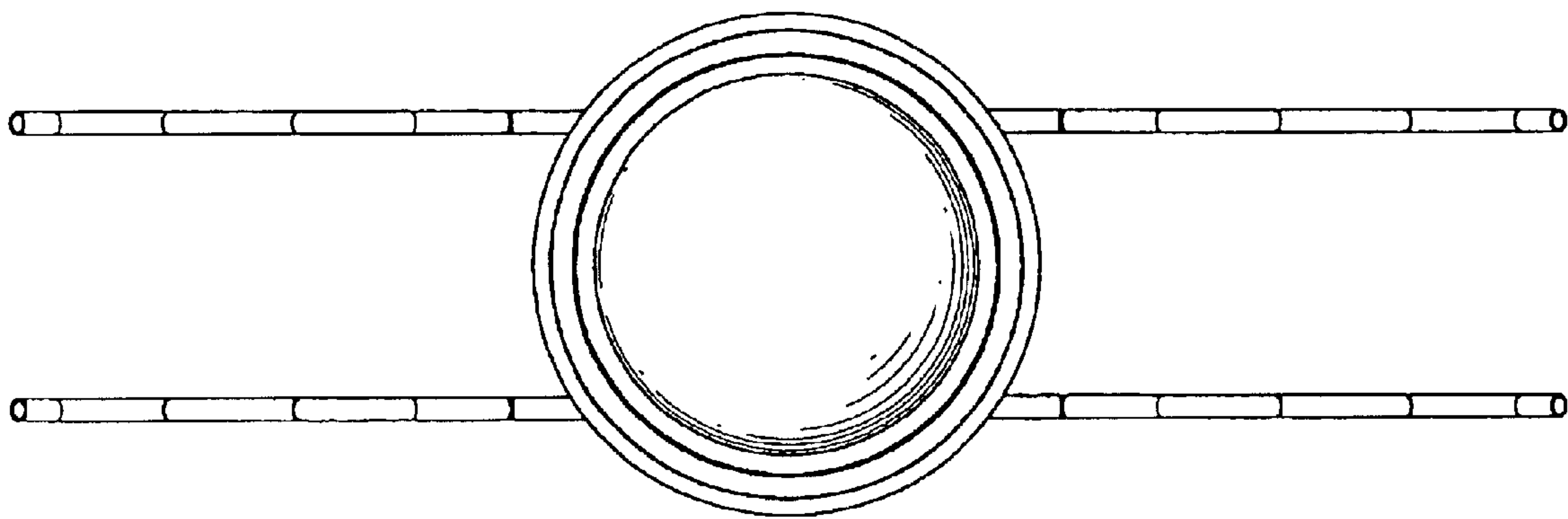


FIG. 5



F I G. 6



F I G. 7

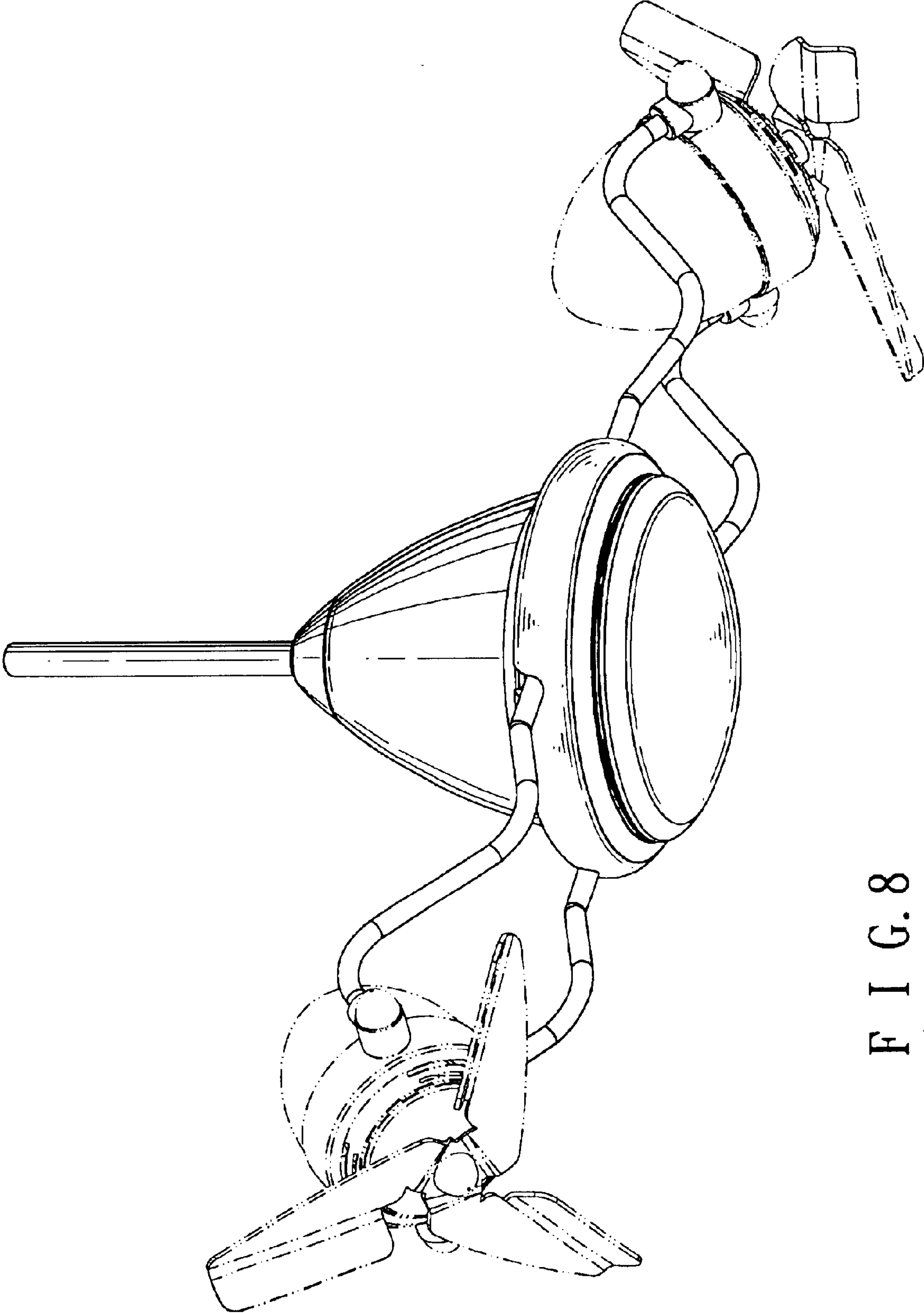


FIG. 8



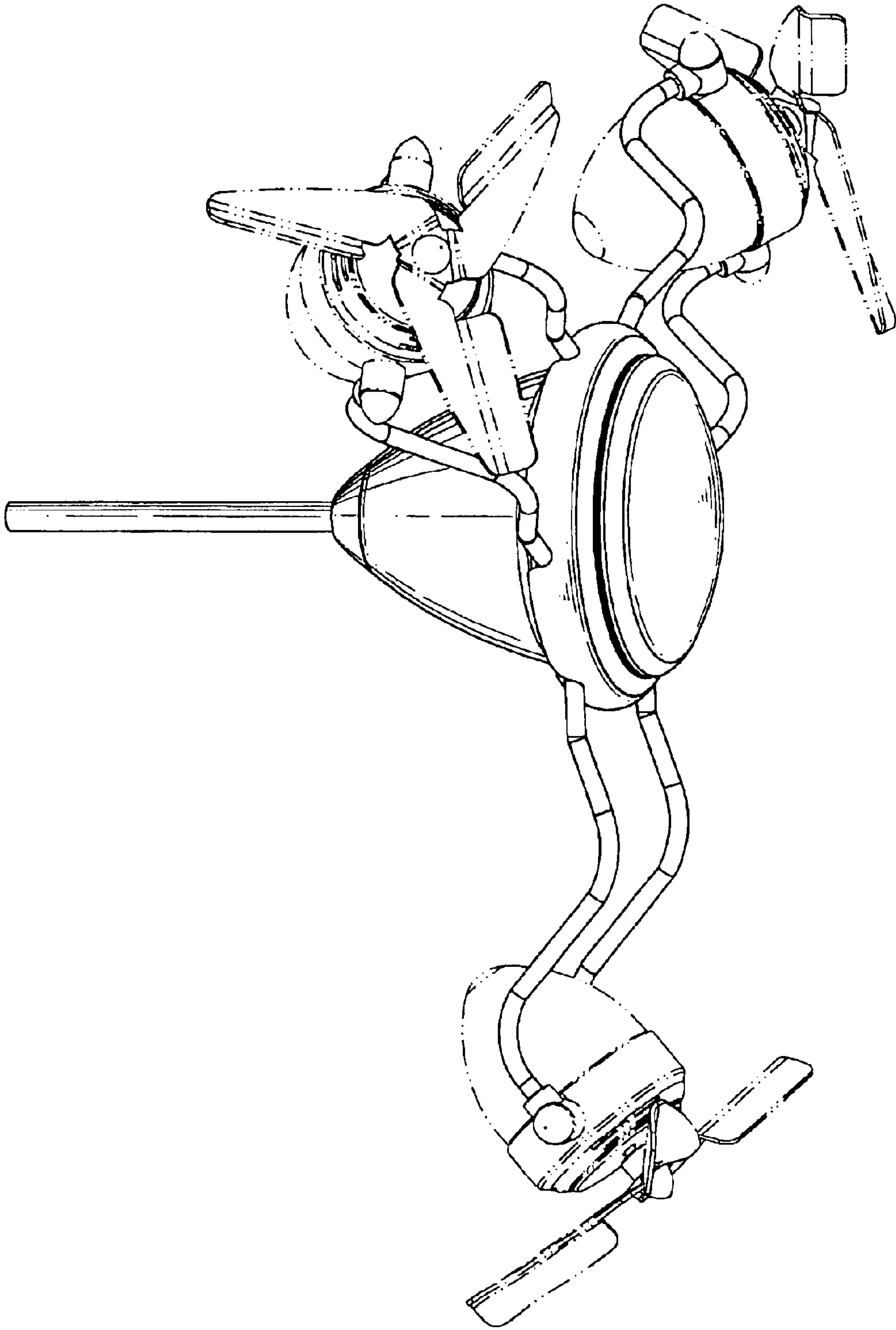


FIG. 9



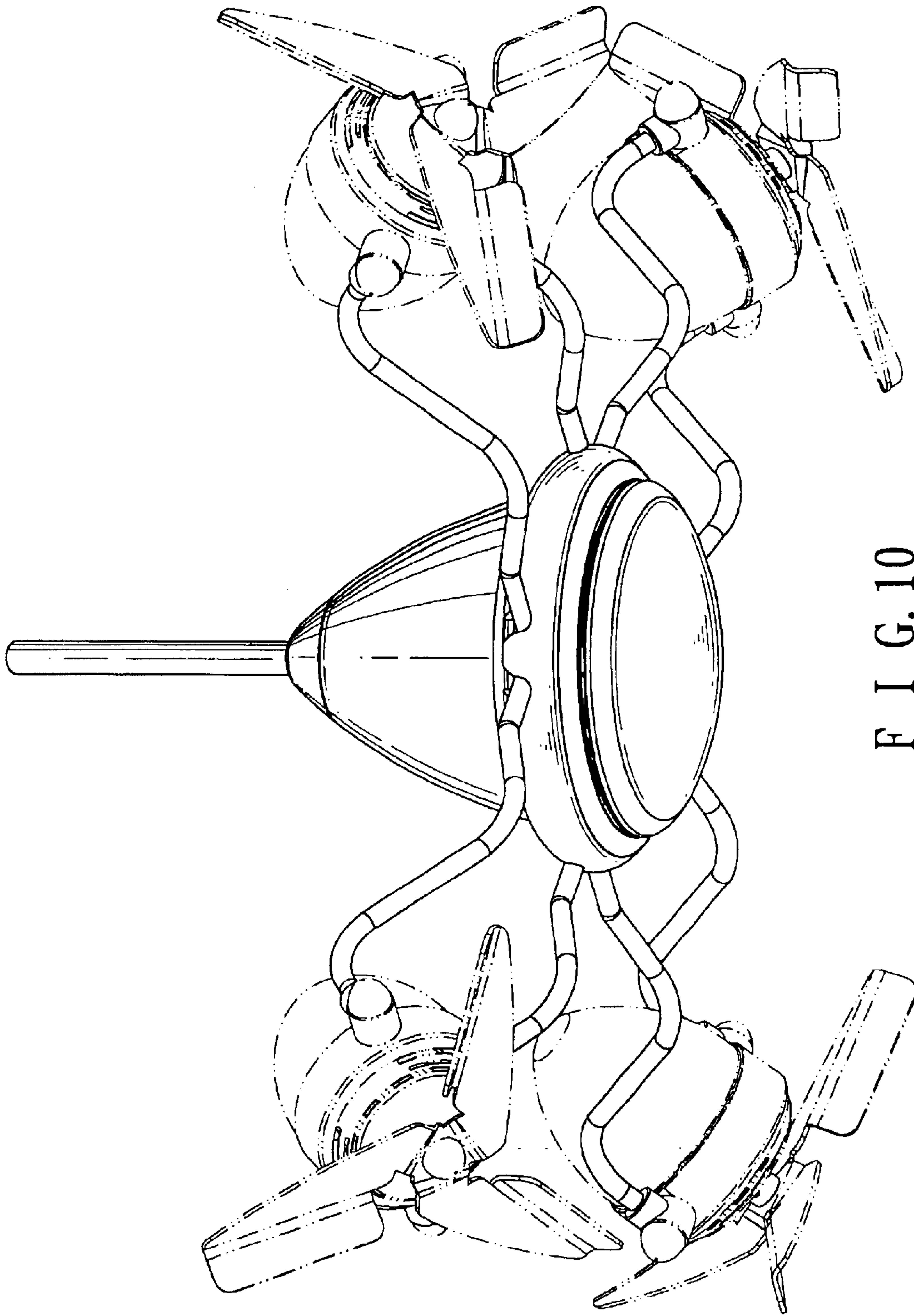


FIG. 10