



US00D495408S1

(12) **United States Design Patent** (10) **Patent No.:** **US D495,408 S**  
**Song** (45) **Date of Patent:** **\*\* Aug. 31, 2004**

(54) **WINDOW TYPE AIRCONDITIONER**

(75) Inventor: **Hyung-kyu Song**, Suwon (KR)

(73) Assignee: **Samsung Electronics Co., Ltd.** (KR)

(\*\*) Term: **14 Years**

(21) Appl. No.: **29/193,410**

(22) Filed: **Nov. 10, 2003**

(51) **LOC (7) Cl.** ..... **23-04**

(52) **U.S. Cl.** ..... **D23/353**

(58) **Field of Search** ..... D23/351-354;  
62/262, 259.1; 312/236; 454/204

(56) **References Cited**

**U.S. PATENT DOCUMENTS**

6,066,041	A	*	5/2000	Hernandez et al.	.....	62/262
6,085,538	A	*	7/2000	Bascaran et al.	.....	62/262
D442,681	S	*	5/2001	Kishita et al.	.....	D23/353
D446,576	S	*	8/2001	Bushnell et al.	.....	D23/353
6,279,339	B1	*	8/2001	Correa et al.	.....	62/262
D454,389	S	*	3/2002	Kishita et al.	.....	D23/353

\* cited by examiner

*Primary Examiner*—Brian N Vinson

(74) *Attorney, Agent, or Firm*—Irving Keschner

(57) **CLAIM**

The ornamental design for a window type airconditioner, as shown.

**DESCRIPTION**

FIG. 1 is a perspective view of the ornamental design of the present invention;

FIG. 2 is a front elevational view of the ornamental design of the present invention;

FIG. 3 is a rear elevational view of the ornamental design of the present invention;

FIG. 4 is a left side elevational view of the ornamental design of the present invention;

FIG. 5 is a right side elevational view of the ornamental design of the present invention;

FIG. 6 is a top plan view of the ornamental design of the present invention; and,

FIG. 7 is a bottom view of the ornamental design of the present invention.

**1 Claim, 2 Drawing Sheets**

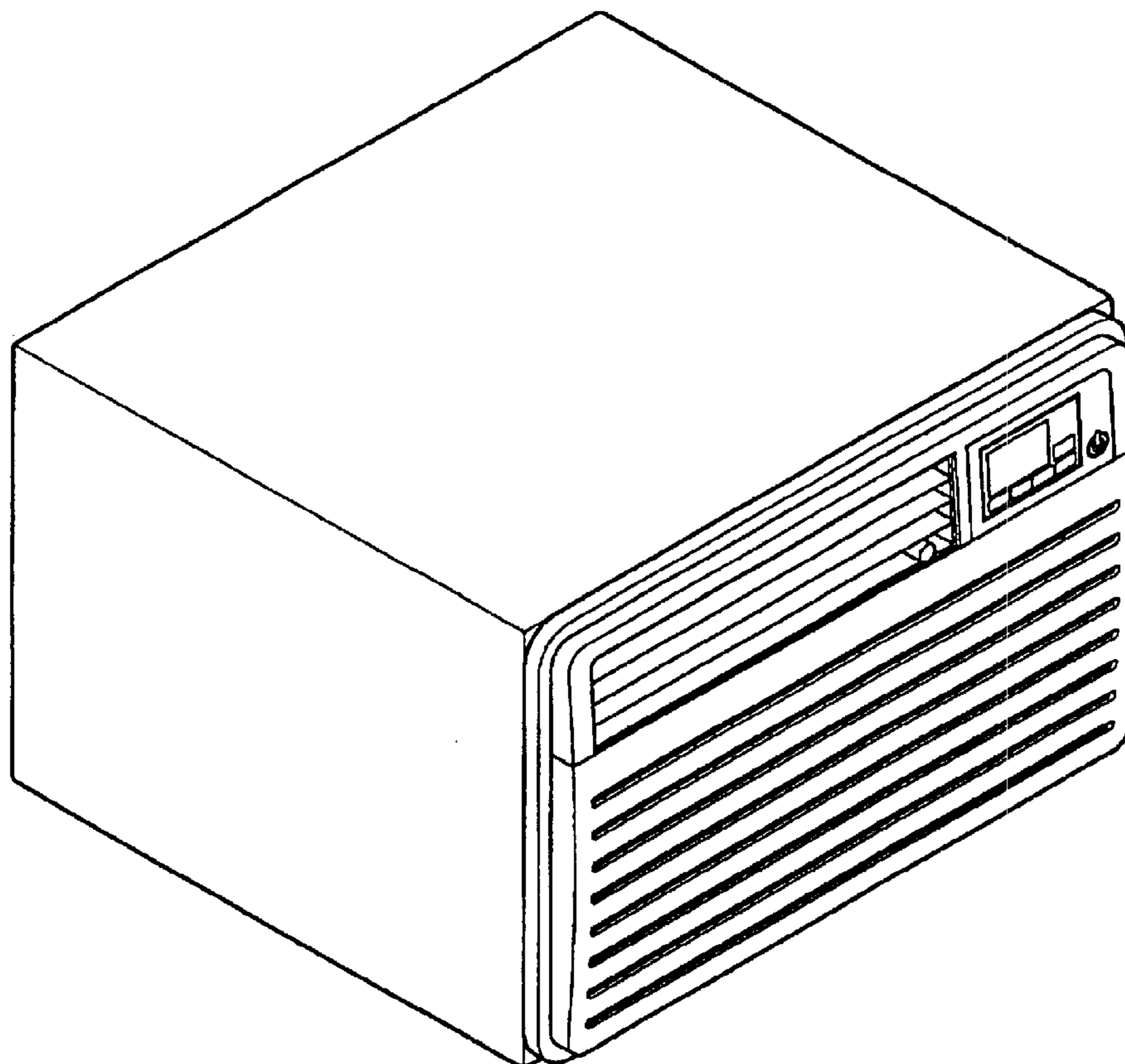


FIG. 1

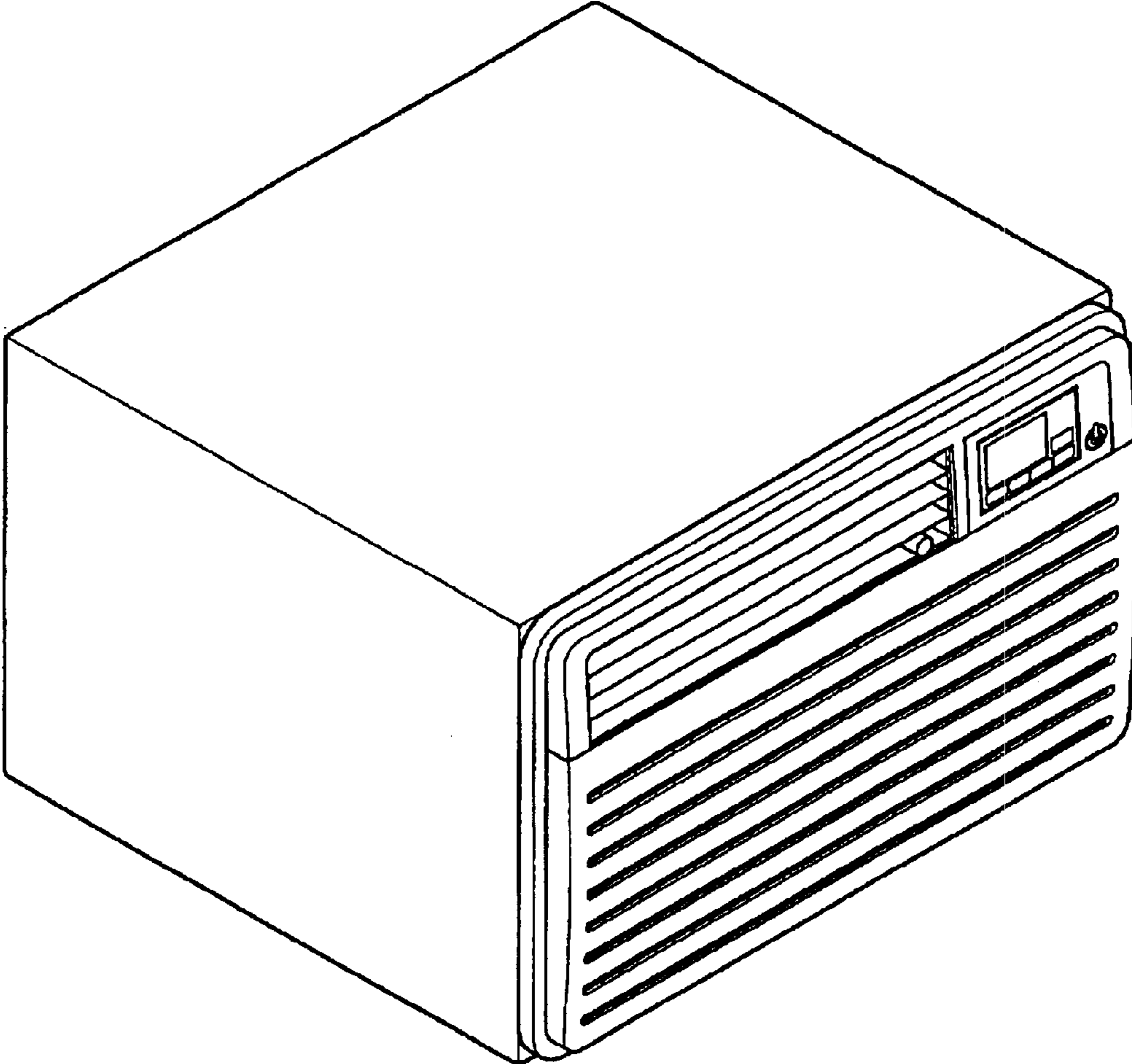


FIG. 2

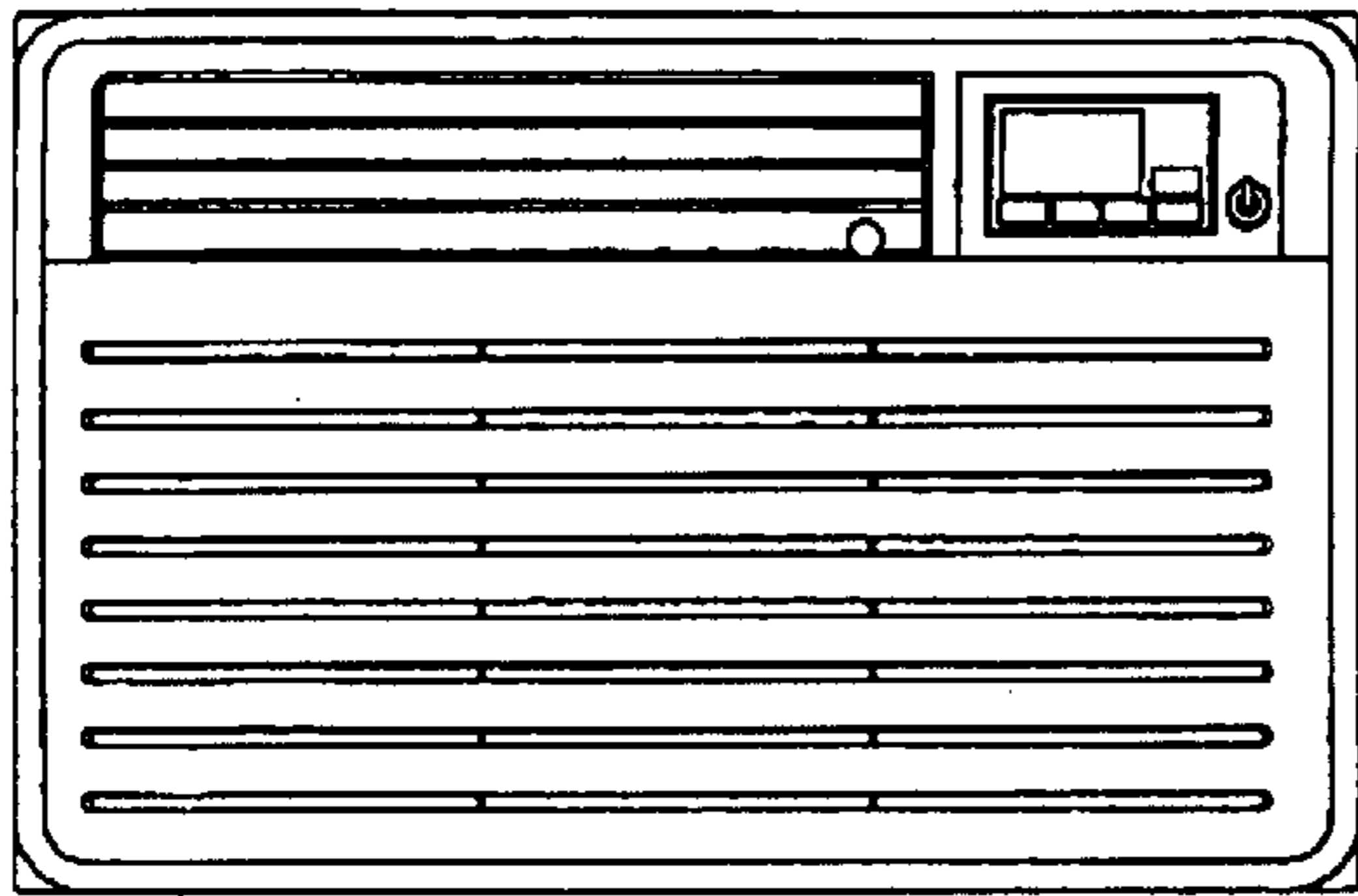


FIG. 3

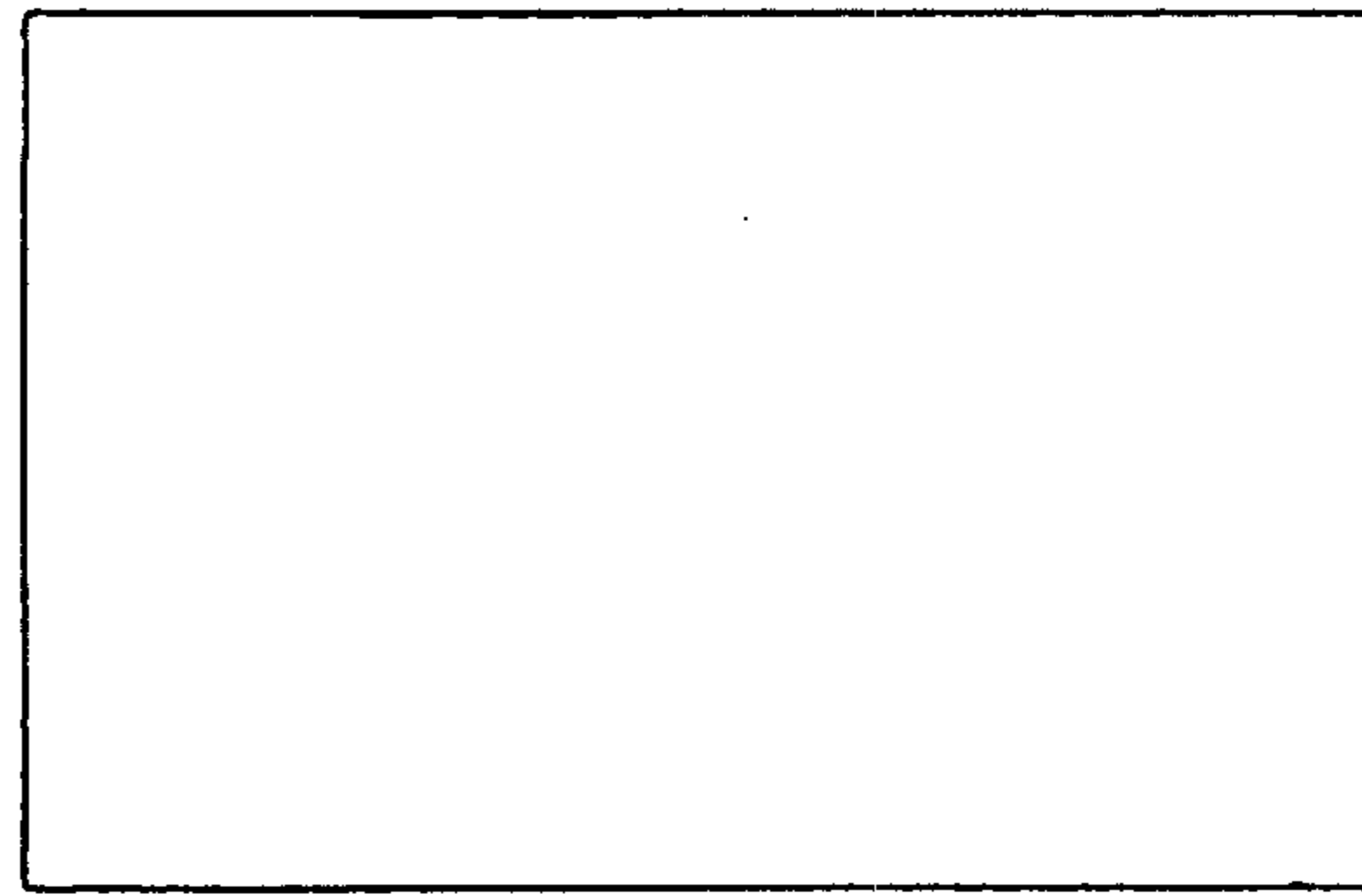


FIG. 4

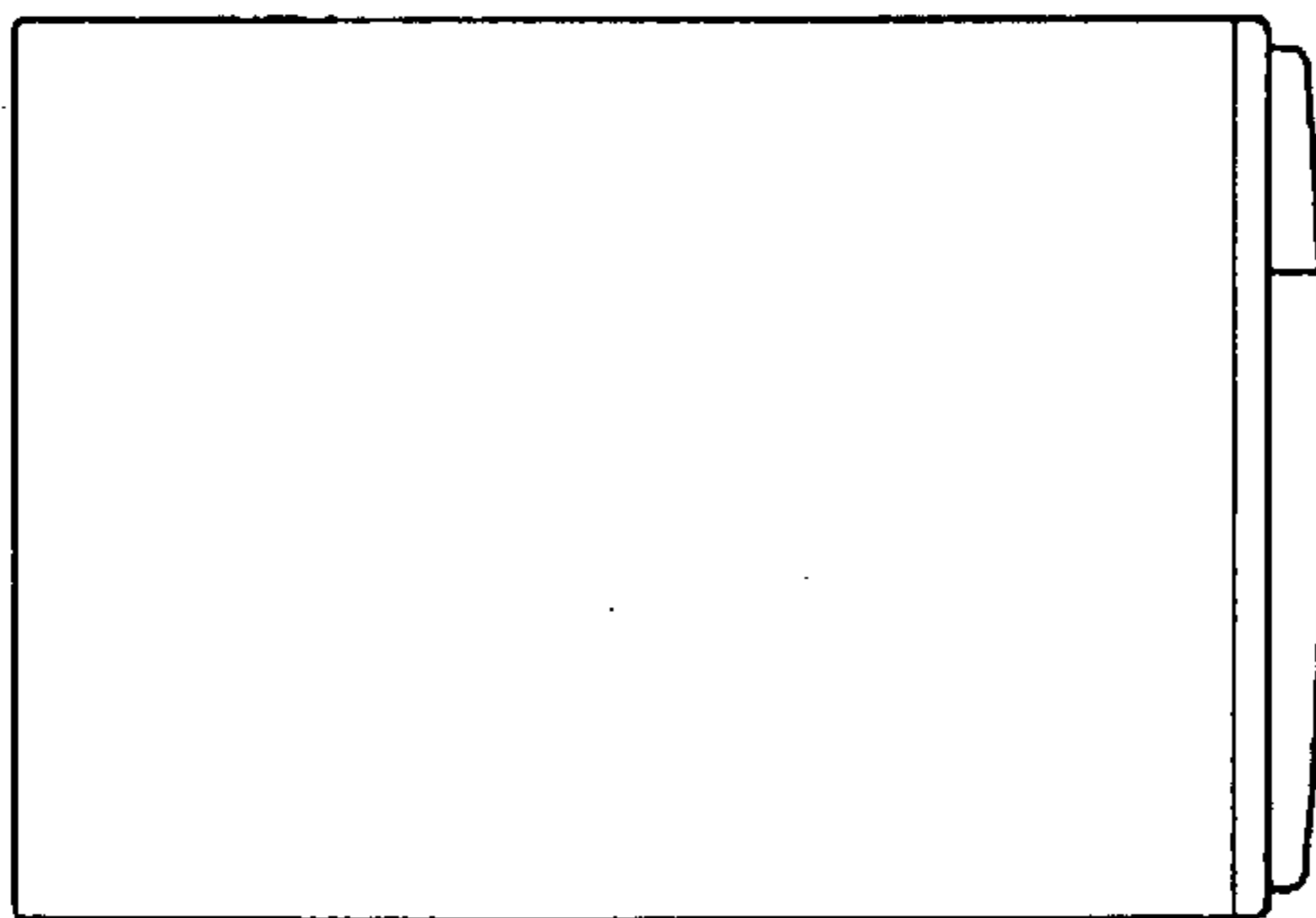


FIG. 5

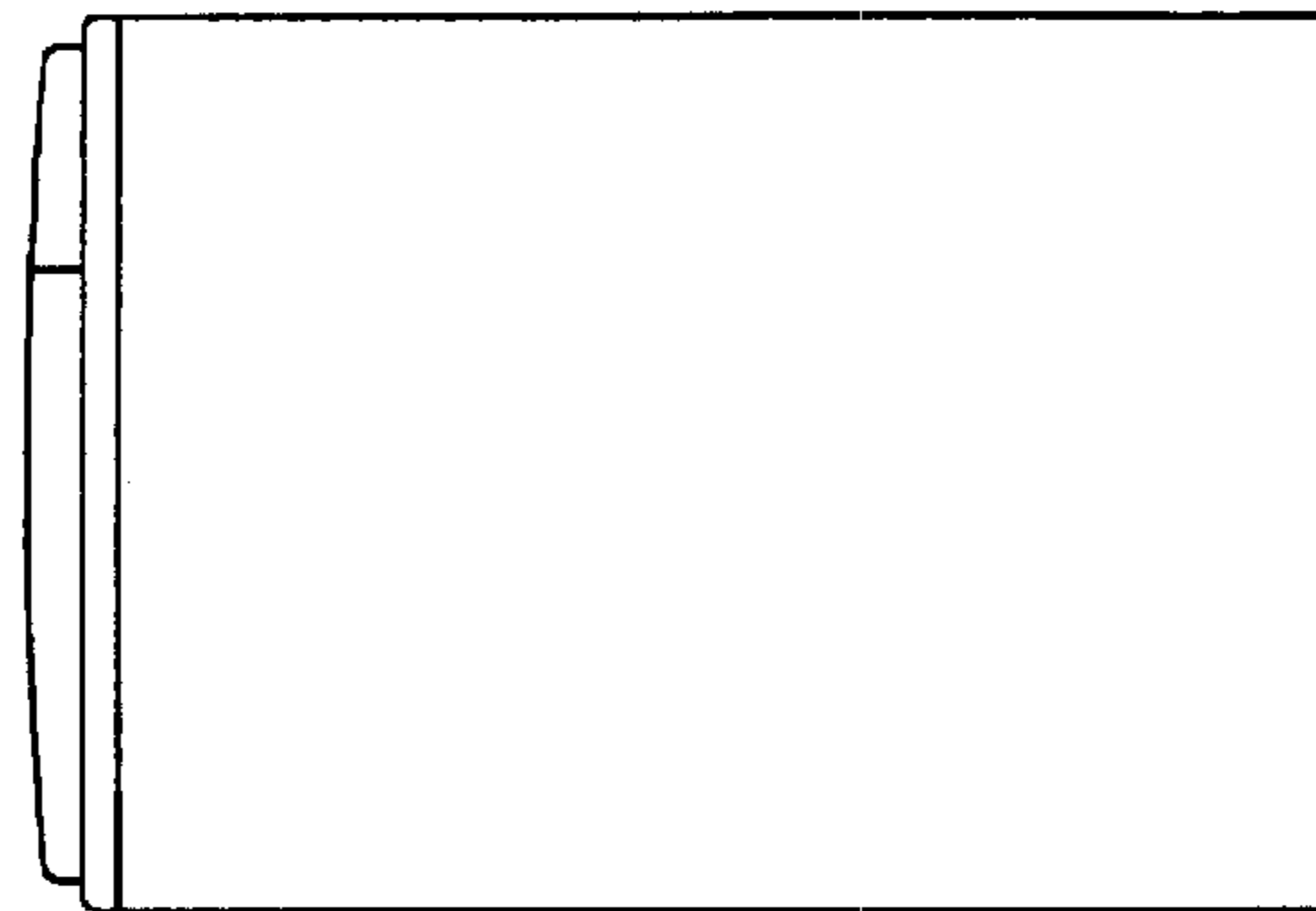


FIG. 6

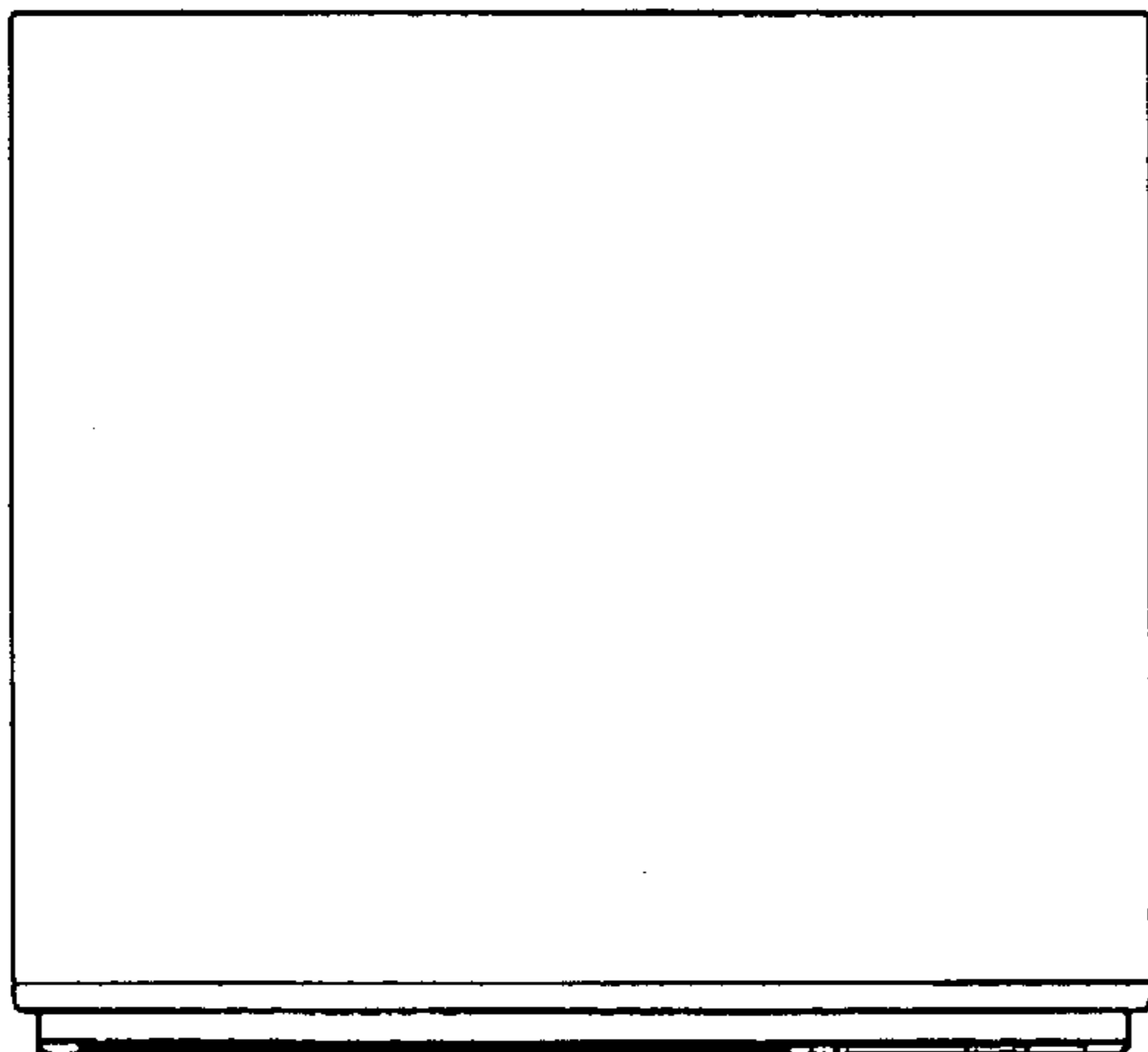


FIG. 7

