

US00D495407S1

(12) **United States Design Patent** (10) **Patent No.:** **US D495,407 S**
Asaoka et al. (45) **Date of Patent:** **** Aug. 31, 2004**

(54) **EXTERIOR UNIT FOR AN AIR CONDITIONER**

D414,253 S * 9/1999 Kobayashi et al. D23/351
D437,399 S * 2/2001 Nonaka D23/351
D443,349 S * 6/2001 Nonaka D23/351
D463,540 S * 9/2002 Kammer et al. D23/351

(75) Inventors: **Hiroshi Asaoka**, Tokyo (JP); **Yutaka Nikaido**, Tokyo (JP)

* cited by examiner

(73) Assignee: **Mitsubishi Denki Kabushiki Kaisha**, Tokyo (JP)

Primary Examiner—Brian N Vinson
(74) *Attorney, Agent, or Firm*—Oblon, Spivak, McClelland, Maier & Neustadt, P.C.

(**) Term: **14 Years**

(21) Appl. No.: **29/186,886**

(22) Filed: **Jul. 24, 2003**

(30) **Foreign Application Priority Data**

Apr. 23, 2003 (JP) 2003-011514

(51) **LOC (7) Cl.** **23-04**

(52) **U.S. Cl.** **D23/351**

(58) **Field of Search** D23/351-54, 333;
312/236; 454/201-204; 62/259.1, 259.4,
262-63, 304, 324.1, DIG. 16

(56) **References Cited**

U.S. PATENT DOCUMENTS

D371,599 S * 7/1996 Nanjo D23/351
5,775,119 A * 7/1998 Yamada et al. 62/259.1
D403,757 S * 1/1999 Aketa et al. D23/351

(57) **CLAIM**

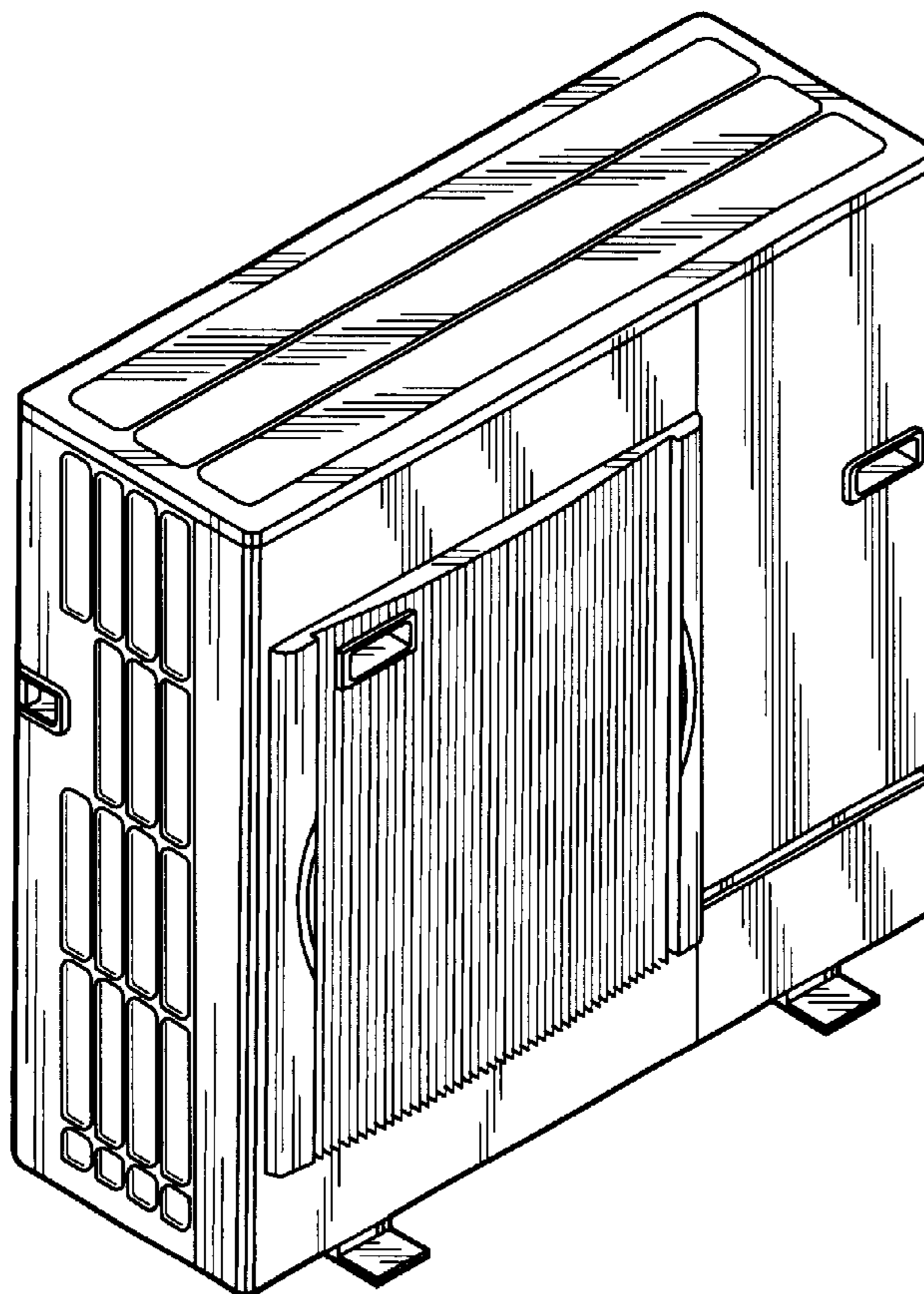
The ornamental design for an exterior unit for an air conditioner, as shown and described.

DESCRIPTION

FIG. 1 is a front, top and left side perspective view of an exterior unit for an air conditioner, showing our new design; FIG. 2 is a front elevational view thereof; FIG. 3 is a rear elevational view thereof; FIG. 4 is a top plan view thereof; FIG. 5 is a bottom plan view thereof; FIG. 6 is a left side elevational view thereof; FIG. 7 is a right side elevational view thereof; and, FIG. 8 is an enlarged cross-sectional view thereof, taken along line 8—8 of FIG. 2.

The broken-line disclosure in the views is for illustrative purposes only and forms no part of the claimed design.

1 Claim, 4 Drawing Sheets



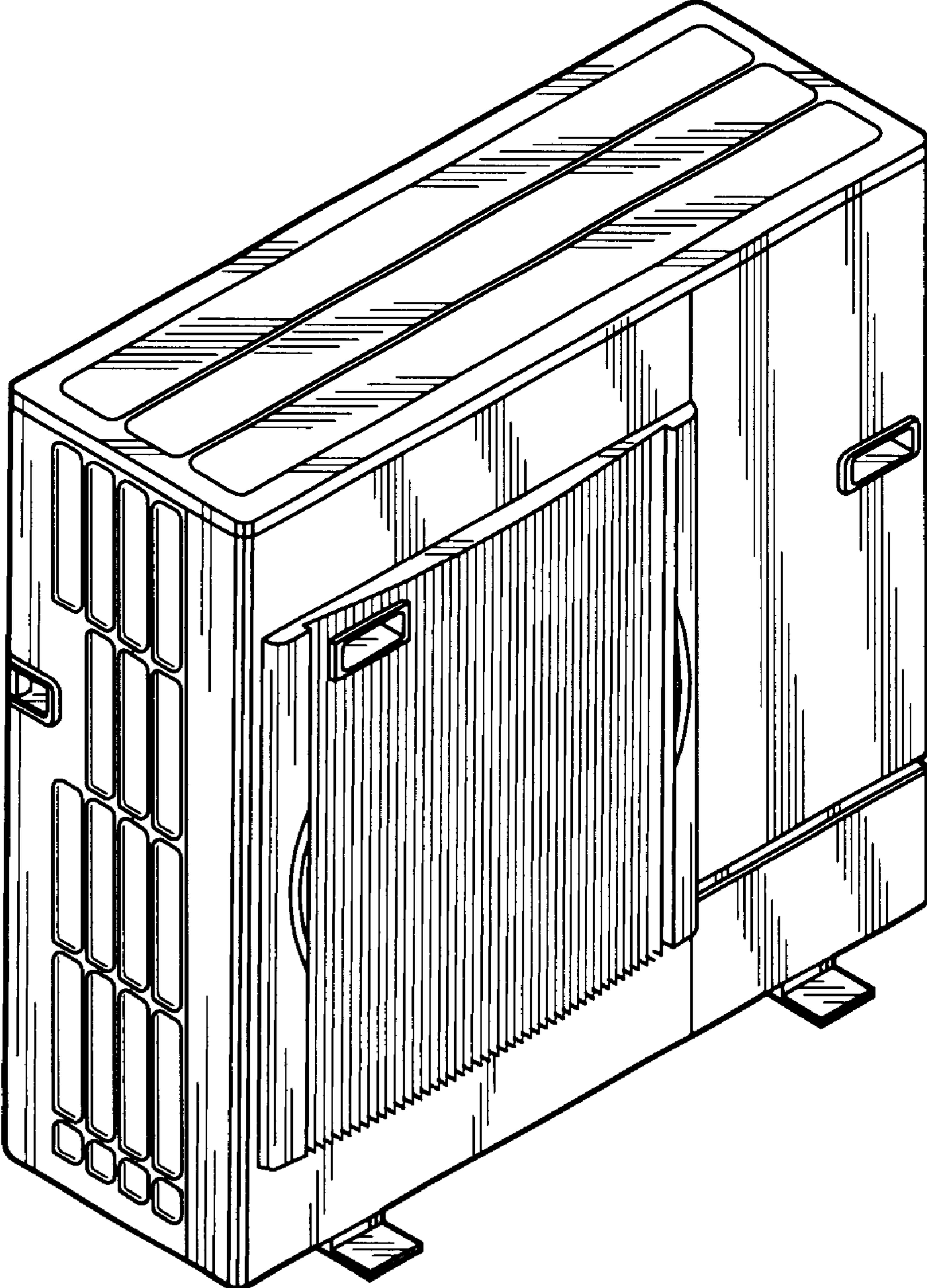


FIG. 1

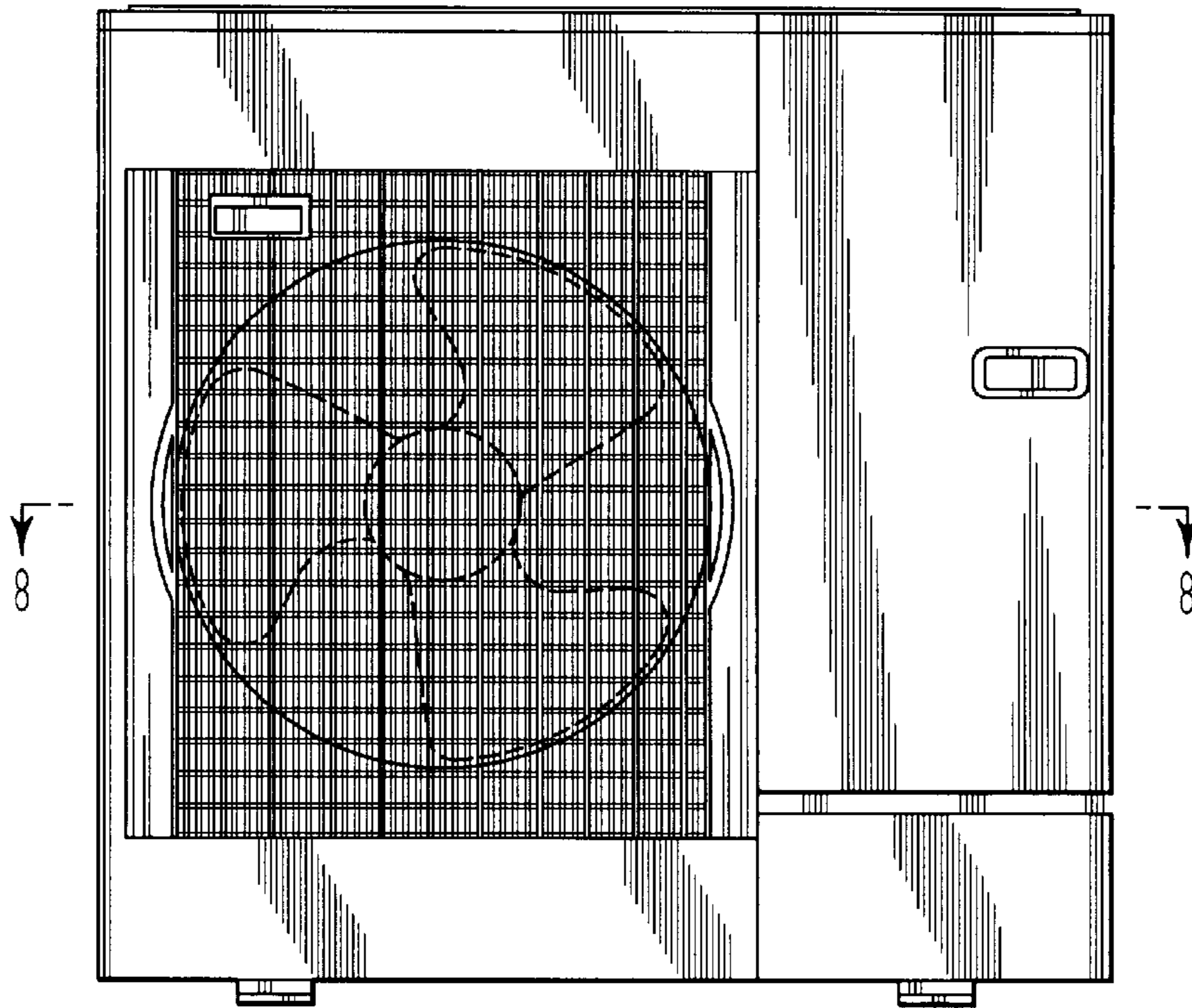


FIG. 2

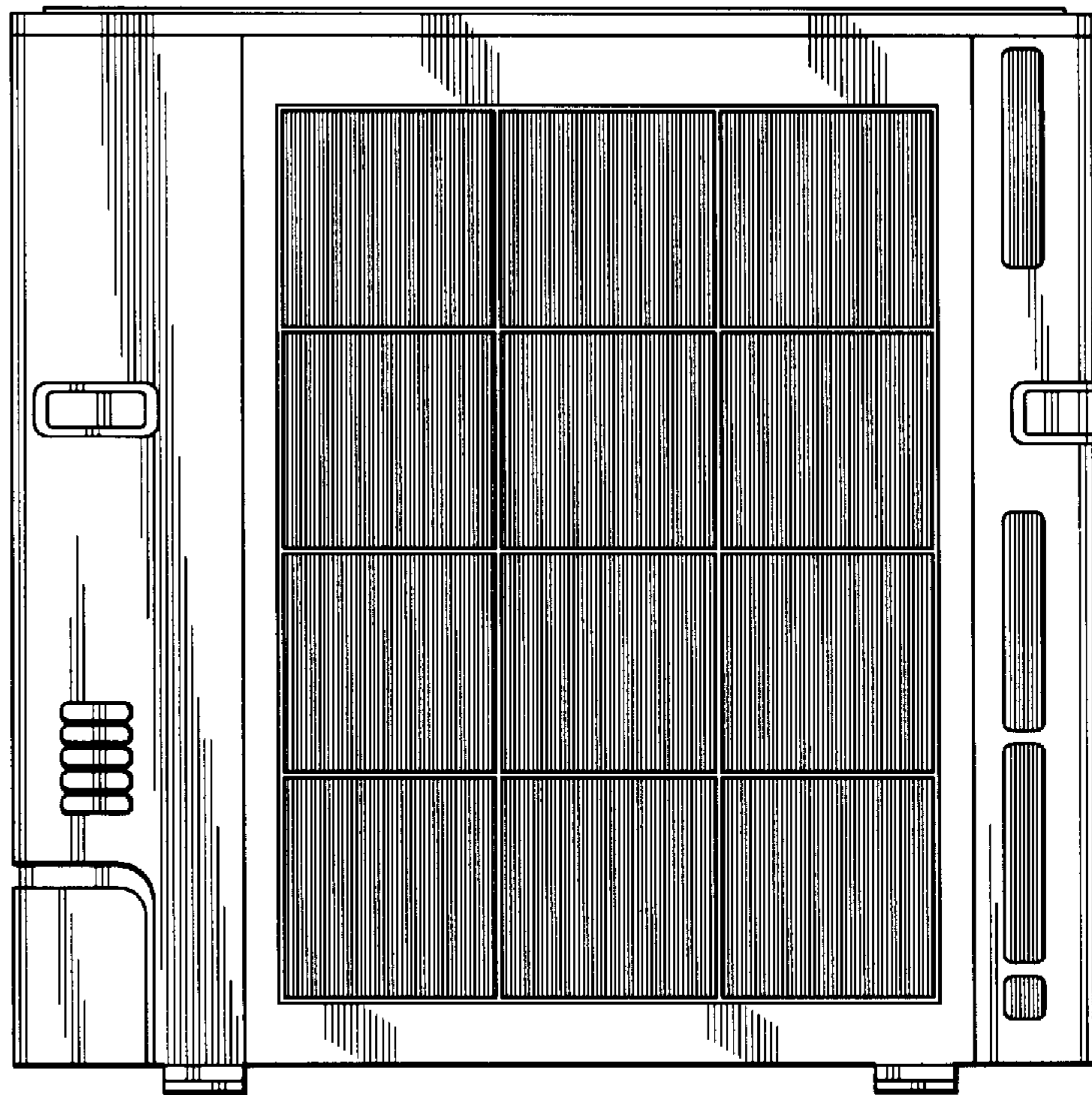


FIG. 3

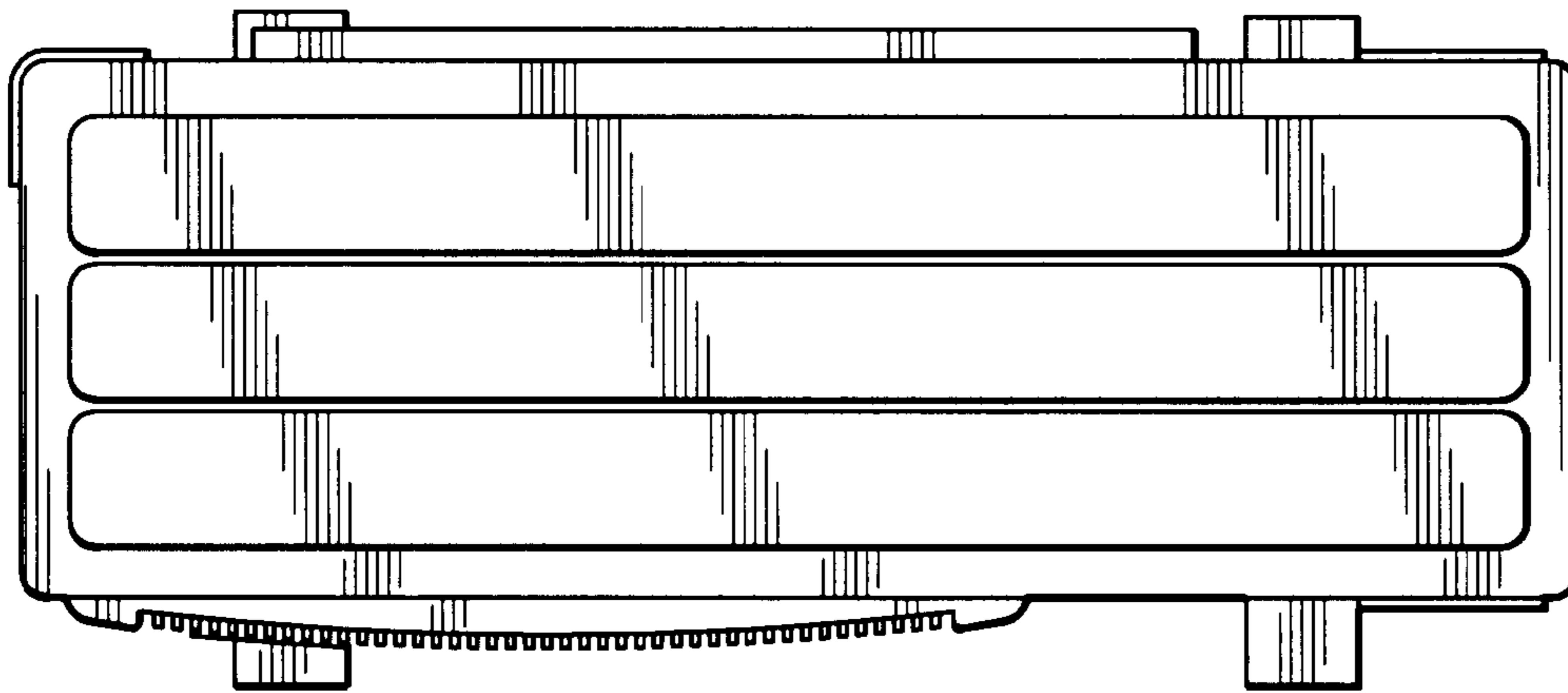


FIG. 4

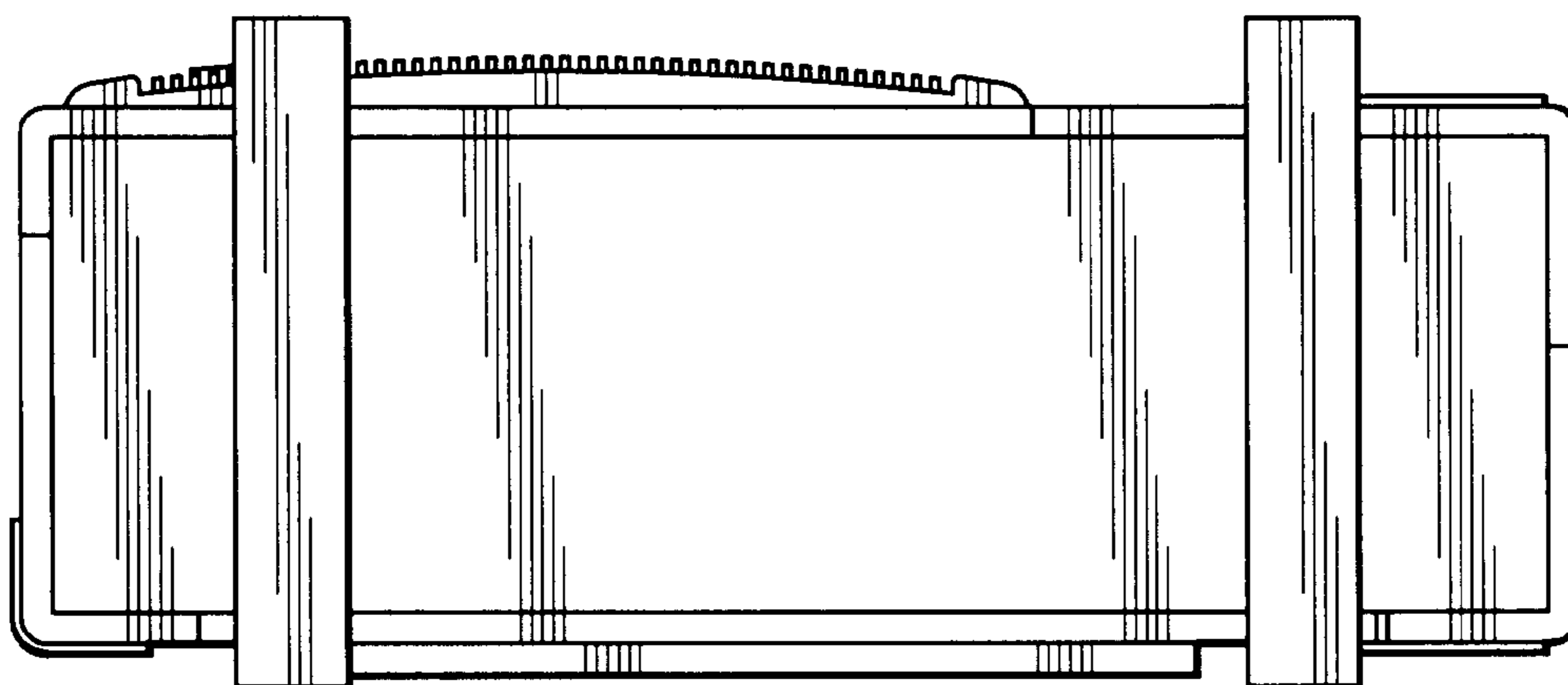


FIG. 5

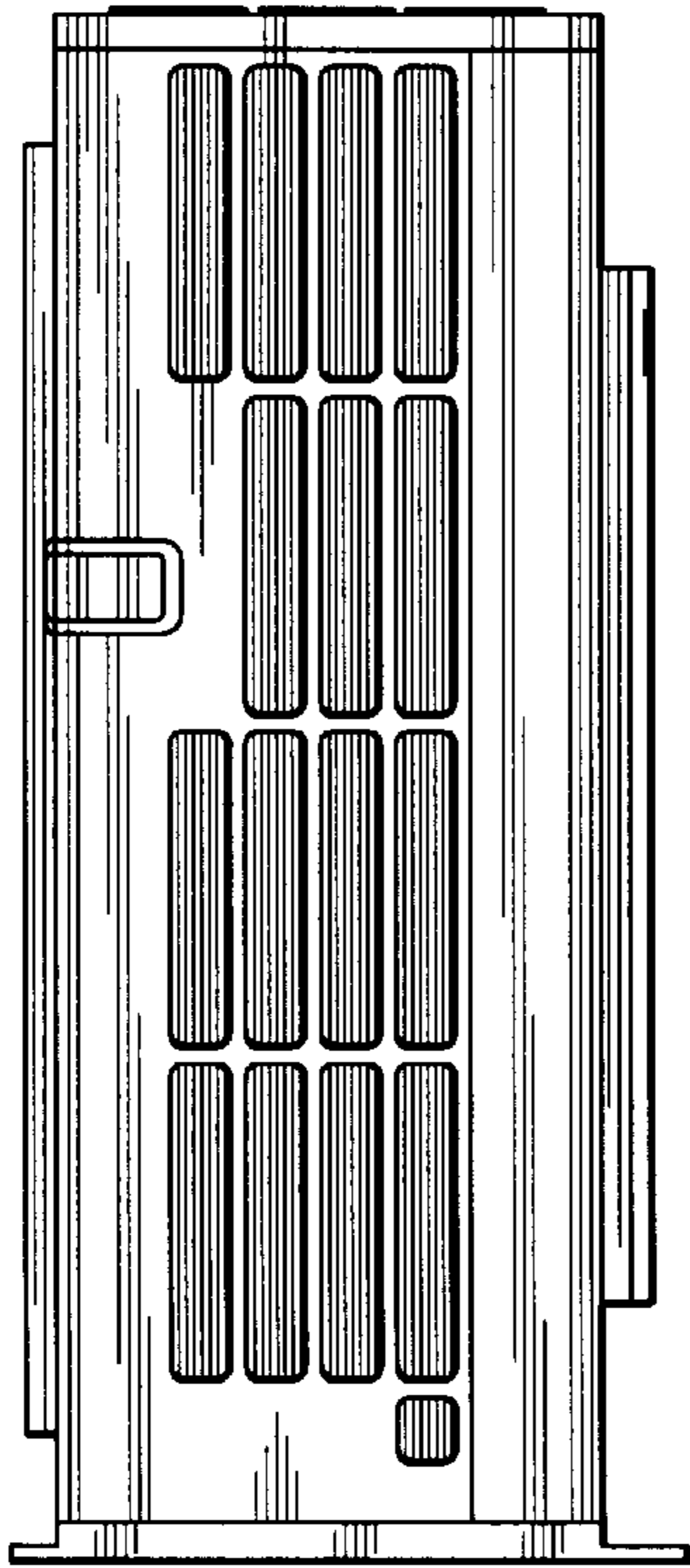


FIG. 6

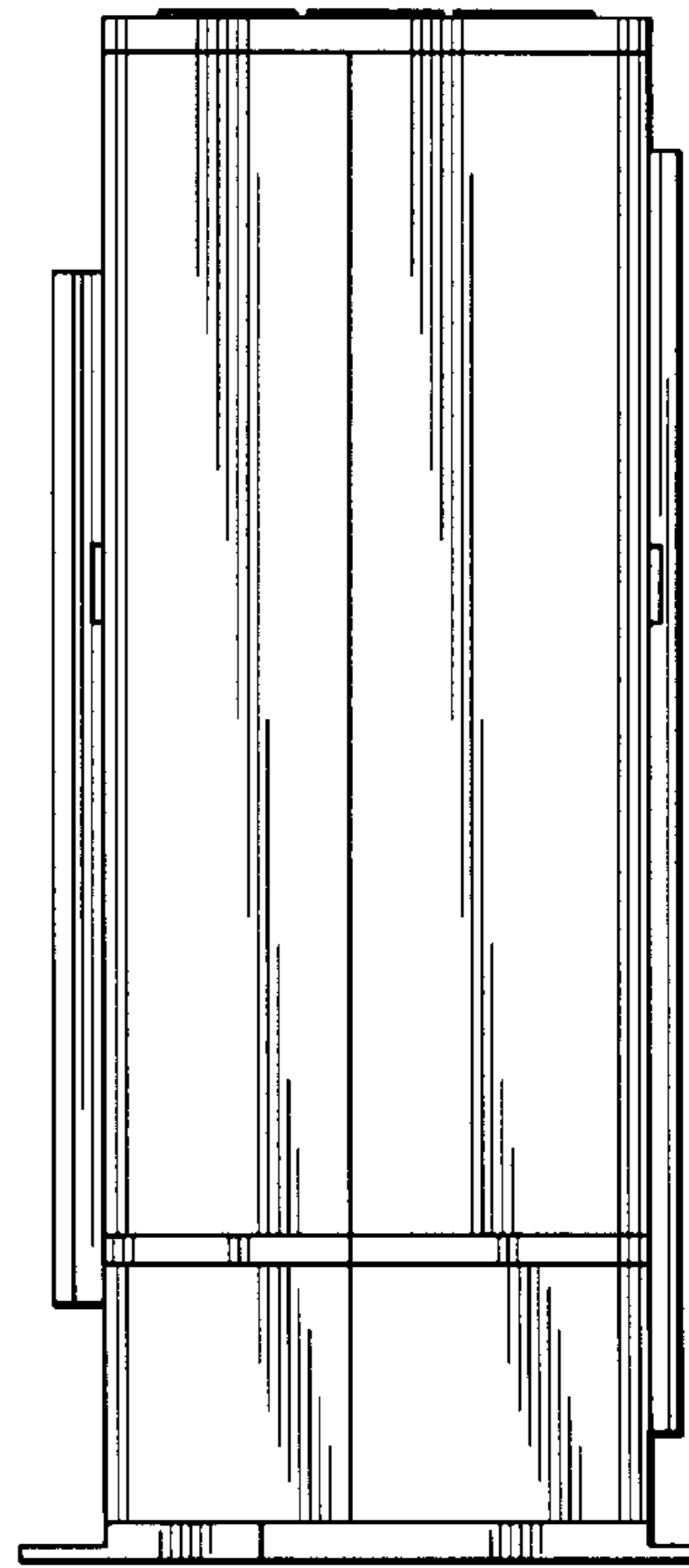


FIG. 7

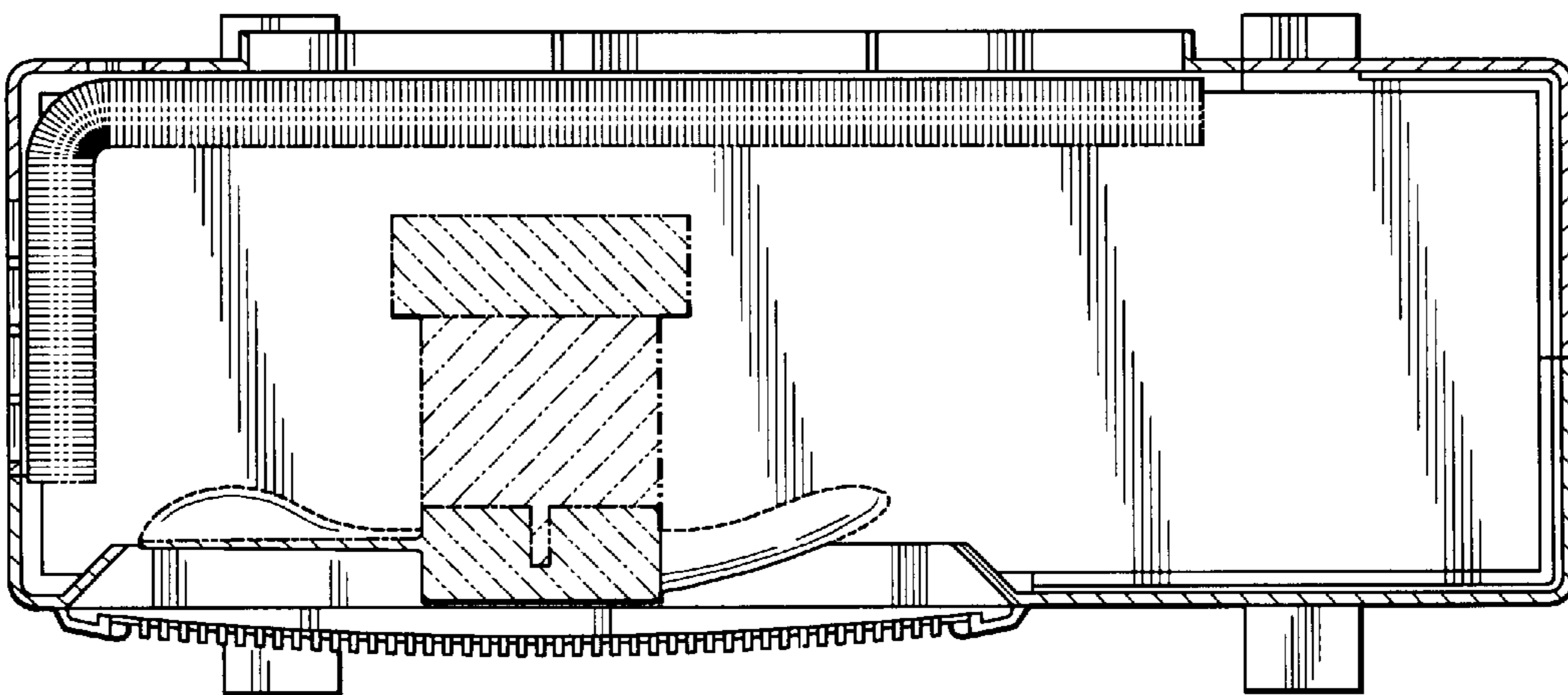


FIG. 8