

US00D495402S1

(12) **United States Design Patent**
Spiegelberg et al.

(10) **Patent No.:** **US D495,402 S**

(45) **Date of Patent:** **** Aug. 31, 2004**

(54) **FAUCET HANDLE**

(75) **Inventors:** **Todd A. Spiegelberg**, Oberlin, OH (US); **Lizabeth Dretzka**, Cleveland Heights, OH (US)

(73) **Assignee:** **Moen Incorporated**, North Olmsted, OH (US)

(**) **Term:** **14 Years**

(21) **Appl. No.:** **29/185,243**

(22) **Filed:** **Jun. 25, 2003**

(51) **LOC (7) Cl.** **23-01**

(52) **U.S. Cl.** **D23/252**

(58) **Field of Search** D23/238-243, D23/245, 250-257; D8/300-322, 350-353, DIG. 3; 16/110.1; 4/675-678; 137/801

(56) **References Cited**

U.S. PATENT DOCUMENTS

- D325,772 S * 4/1992 Carr D23/252
- D365,384 S * 12/1995 Robbins D23/252
- D384,730 S * 10/1997 Doughty et al. D23/252

- D434,118 S * 11/2000 Lord D23/252
- D460,531 S * 7/2002 Ko D23/252
- D477,860 S * 7/2003 Singtoroj D23/252

* cited by examiner

Primary Examiner—Louis S. Zarfes

Assistant Examiner—Gregory Andoll

(74) *Attorney, Agent, or Firm*—Calfee, Halter & Griswold, LLP

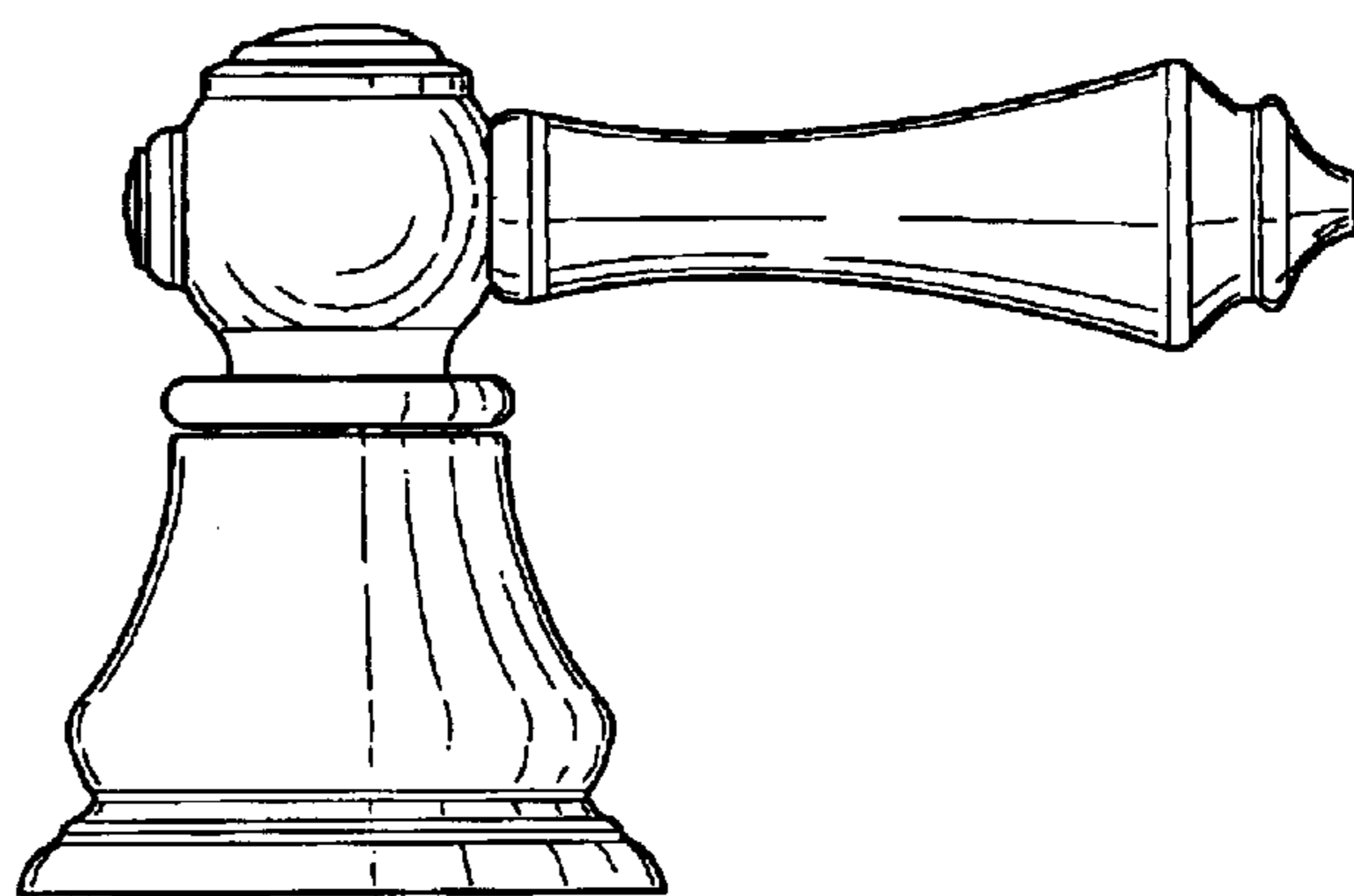
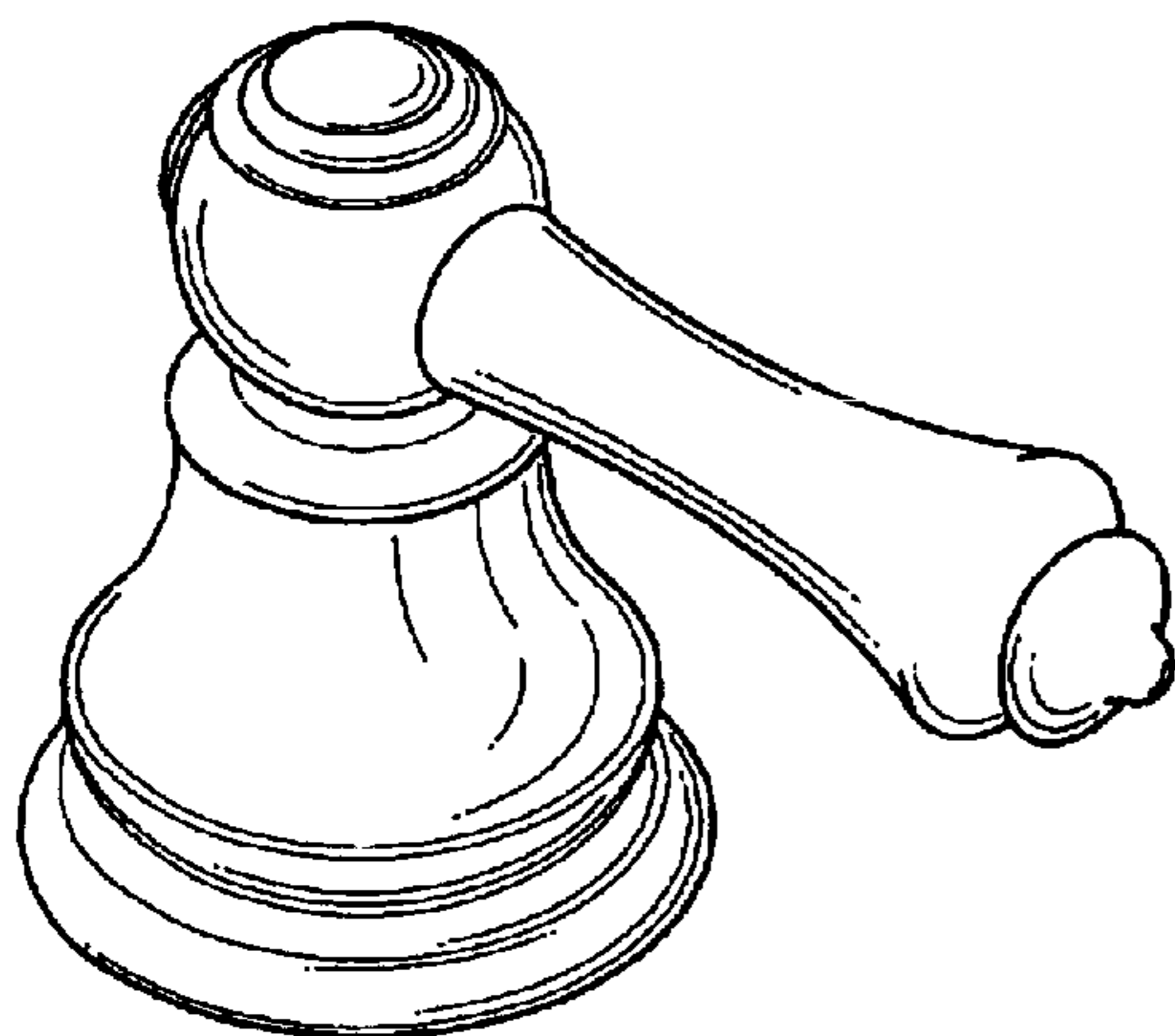
(57) **CLAIM**

The ornamental design for a faucet handle, as shown and described.

DESCRIPTION

FIG. 1 is a perspective view of our new design for a faucet handle;
FIG. 2 is a front elevation view;
FIG. 3 is a rear elevation view;
FIG. 4 is a top plan view;
FIG. 5 is a bottom plan view; and,
FIG. 6 is a left side elevation view, the right side being a mirror image thereof.

1 Claim, 1 Drawing Sheet



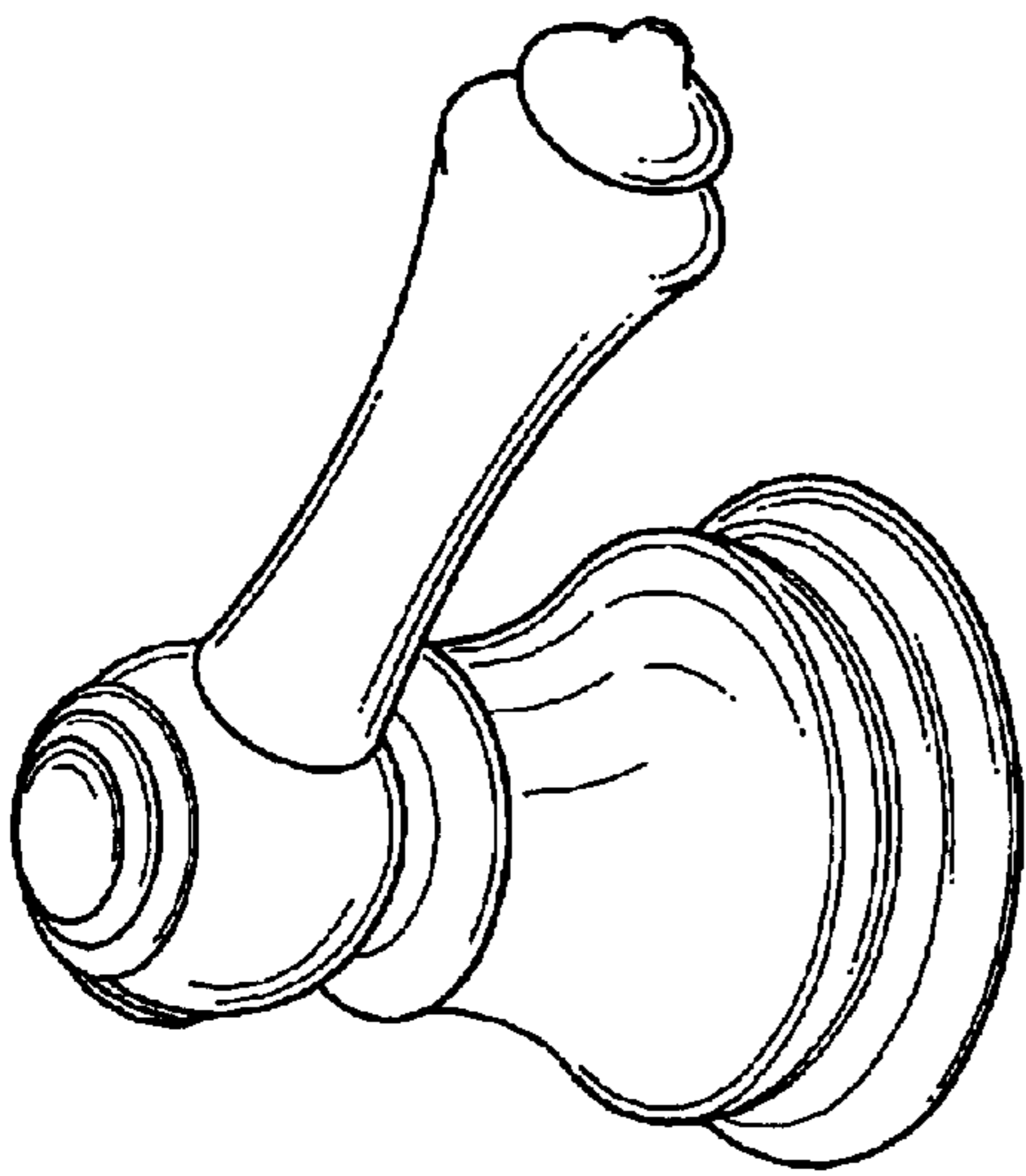


Fig. 1

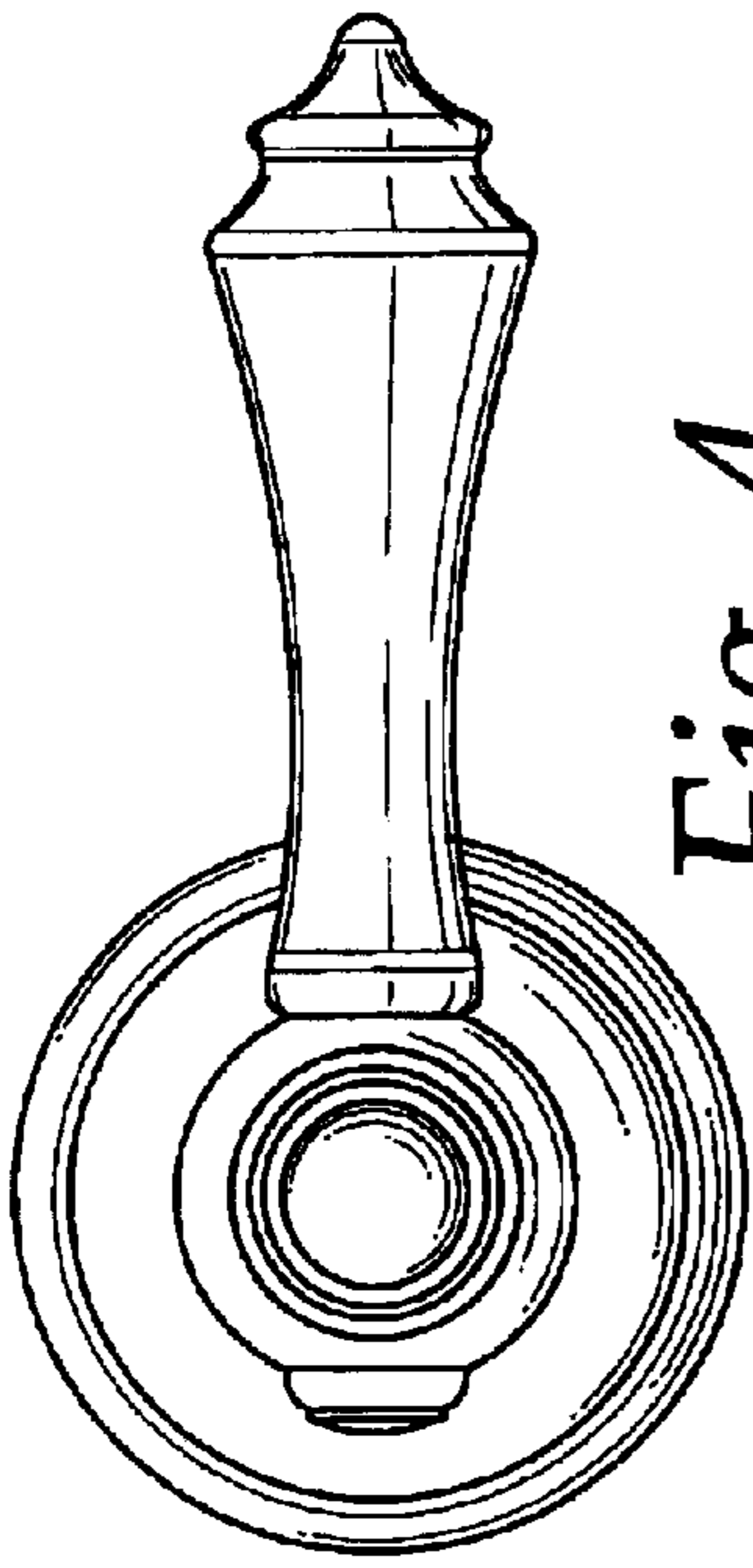


Fig. 4

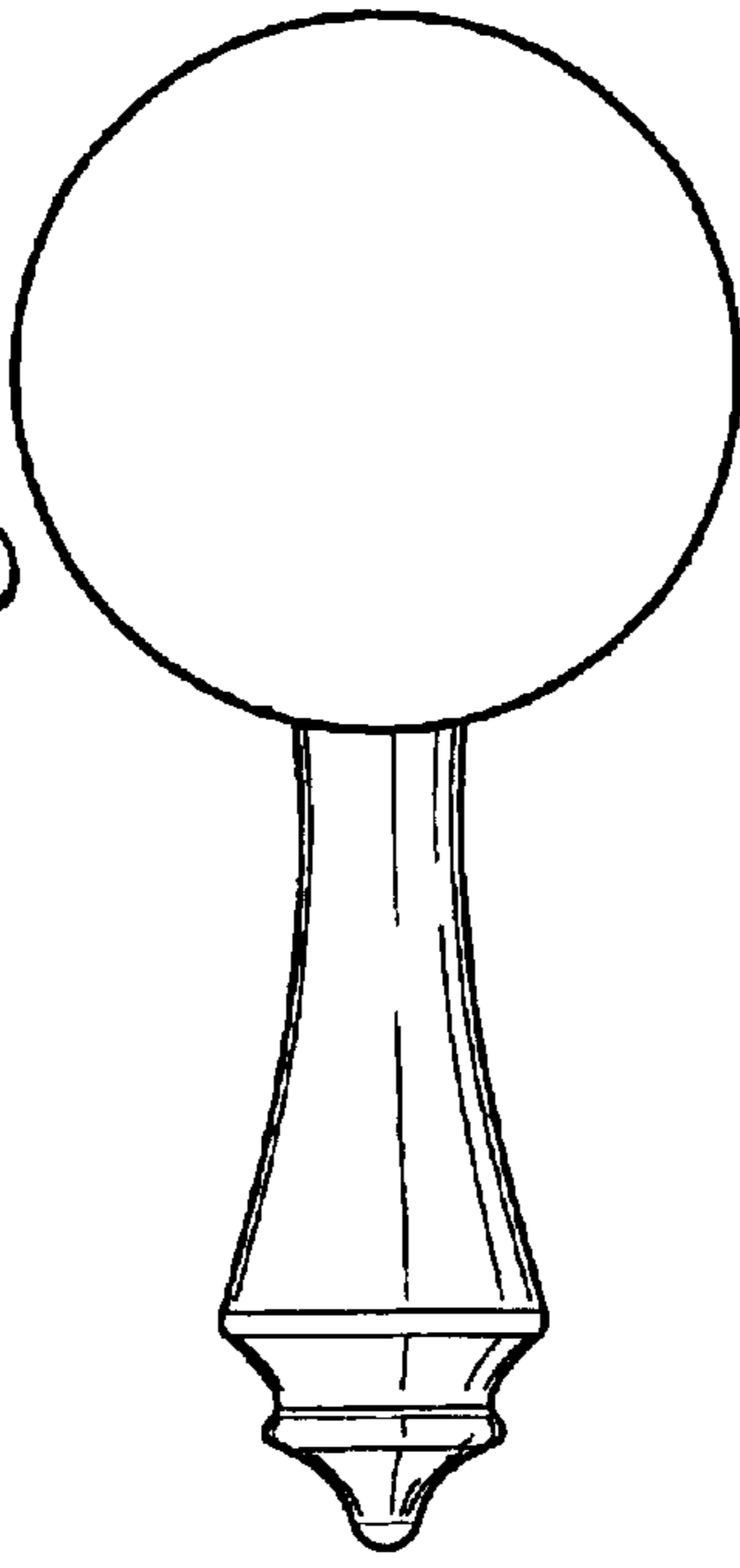


Fig. 5

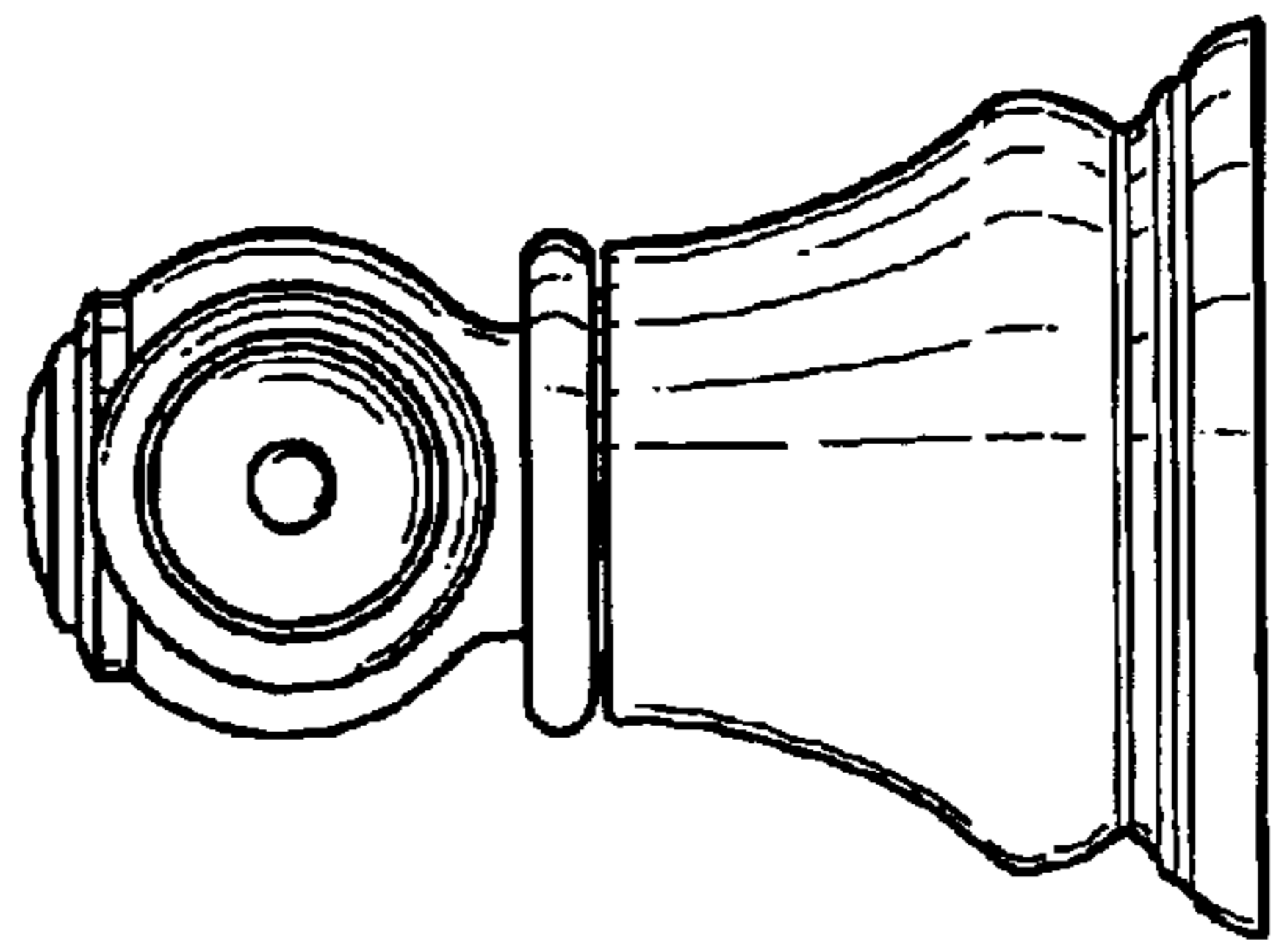


Fig. 2

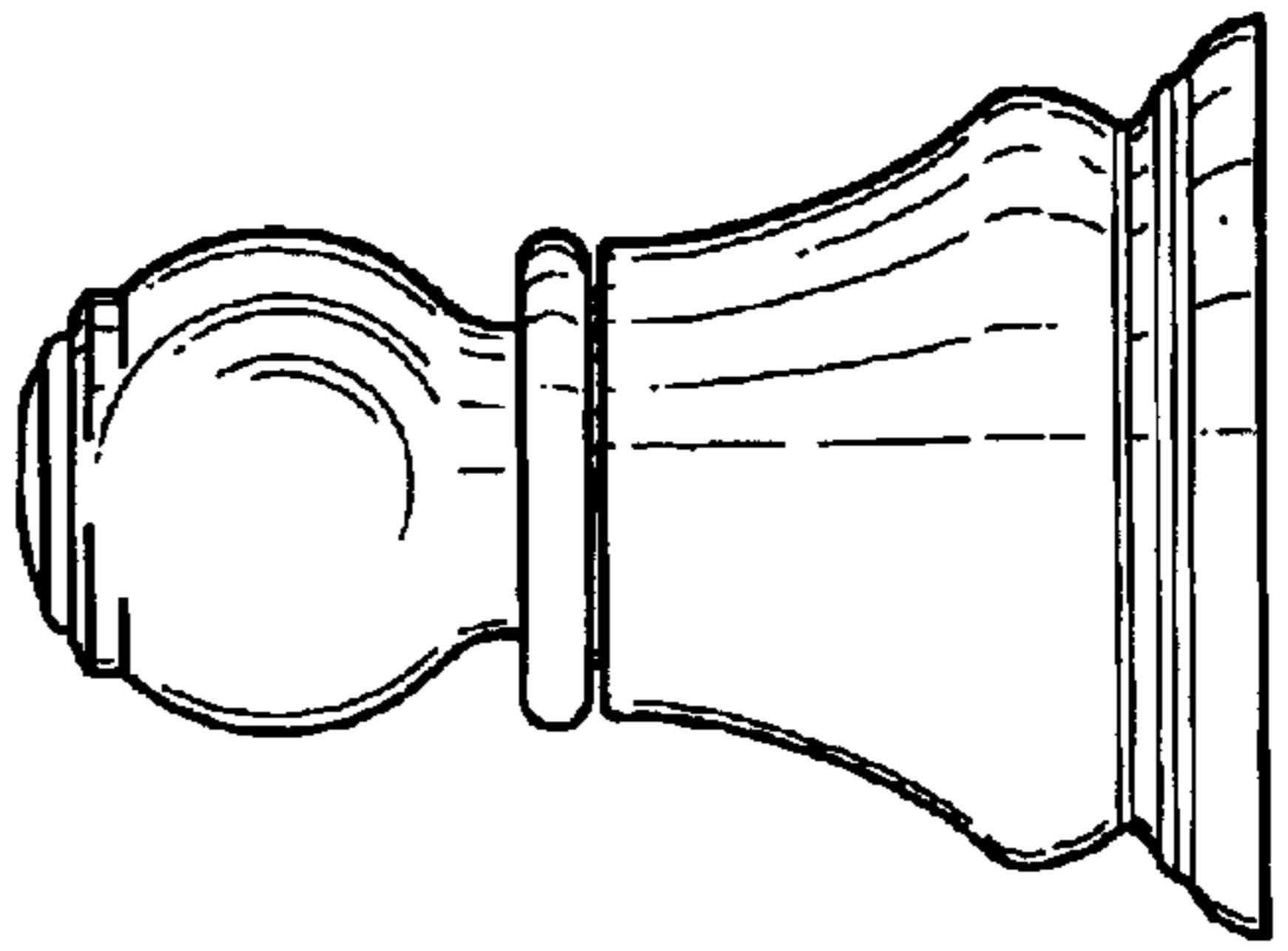


Fig. 3

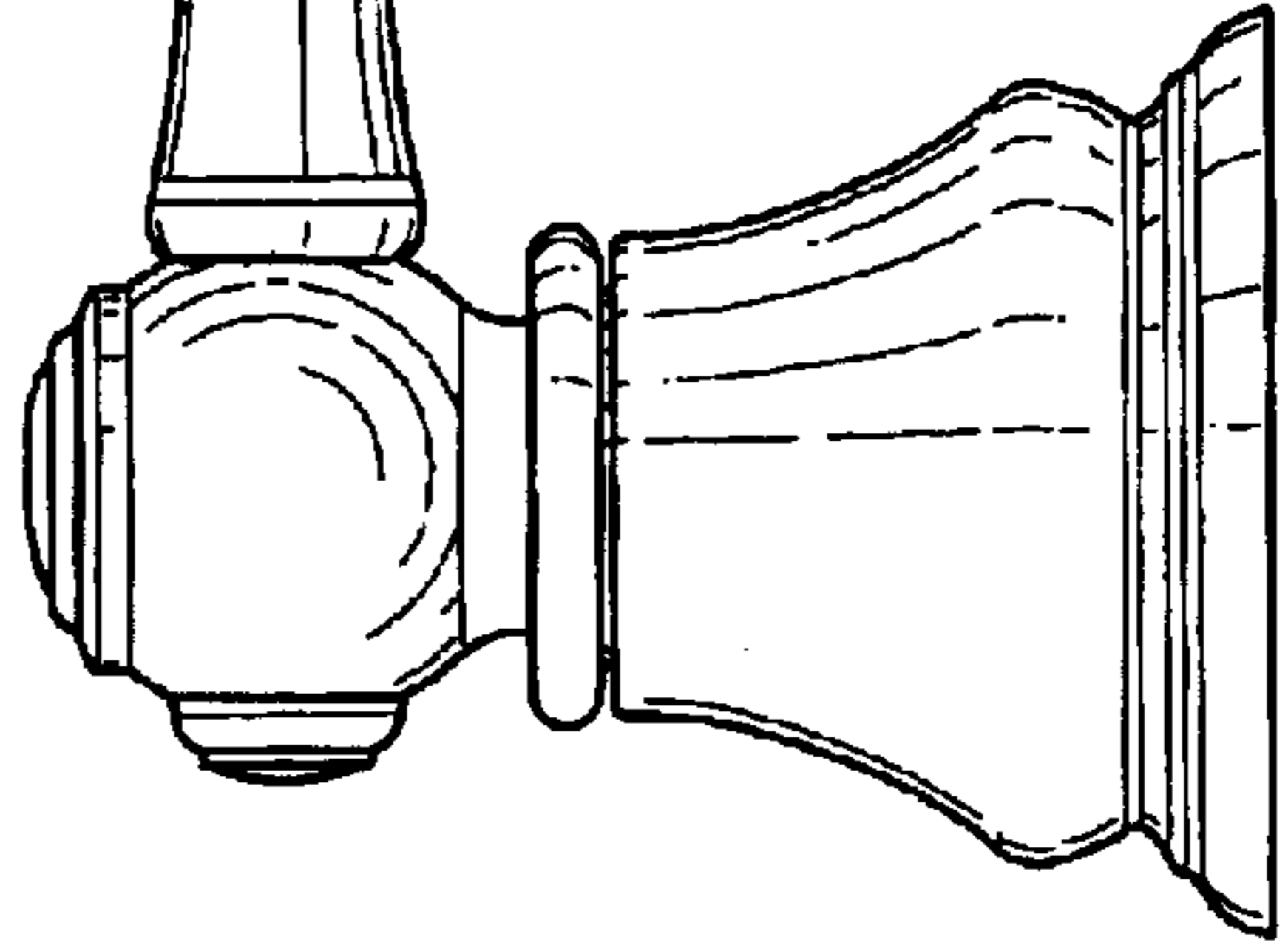


Fig. 6