

US00D495400S1

(12) **United States Design Patent**
Hopper

(10) **Patent No.:** **US D495,400 S**

(45) **Date of Patent:** **** Aug. 31, 2004**

(54) **AIRLESS ELECTRIC SPRAY GUN**

D307,463 S * 4/1990 Fushiya et al. D23/225
D461,226 S * 8/2002 Hunter D23/225
D467,991 S * 12/2002 Ibele D23/225

(75) **Inventor:** **Timothy G. Hopper, Surrey (GB)**

* cited by examiner

(73) **Assignee:** **Earlex Limited, Surrey (GB)**

Primary Examiner—Robin V. Taylor

(**) **Term:** **14 Years**

(74) *Attorney, Agent, or Firm*—Ware, Fressola, Van Der Sluys & Adolphson LLP

(21) **Appl. No.:** **29/185,205**

(22) **Filed:** **Jun. 23, 2003**

(57) **CLAIM**

(30) **Foreign Application Priority Data**

The ornamental design for the airless electric spray gun, as shown and described.

Dec. 23, 2002 (GB) 3009595

DESCRIPTION

(51) **LOC (7) Cl.** **23-01**

FIG. 1 is a side view of an airless electric spray gun showing my new design;

(52) **U.S. Cl.** **D23/225**

FIG. 2 is a plan view thereof;

(58) **Field of Search** D23/213, 225,

FIG. 3 is a front view thereof;

D23/226; 239/332, 310

FIG. 4 is a first perspective view from above and one side thereof; and,

(56) **References Cited**

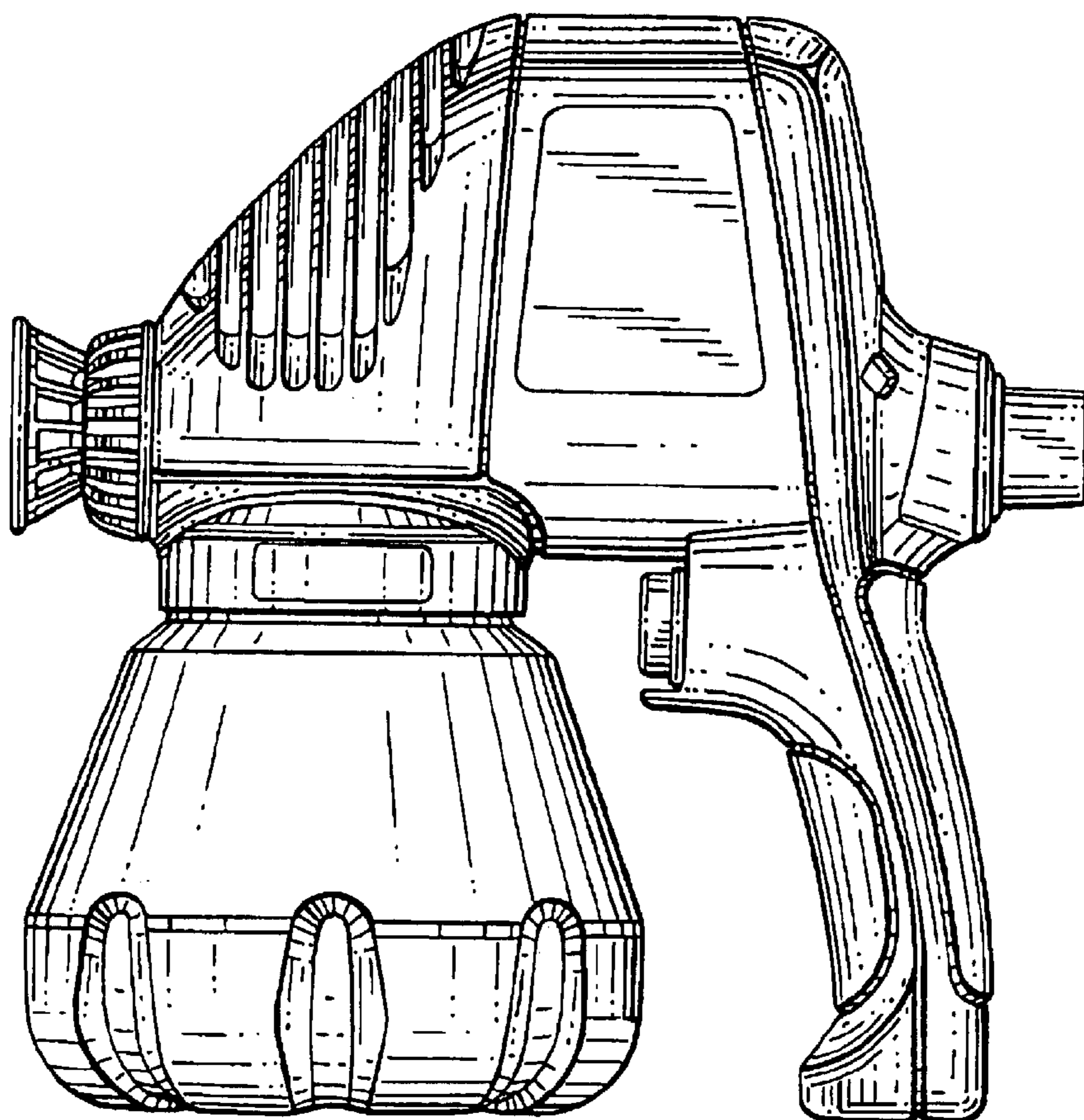
FIG. 5 is a second perspective view from below and the other side thereof.

U.S. PATENT DOCUMENTS

D286,426 S * 10/1986 Lin D23/225

4,693,423 A * 9/1987 Roe et al. 239/332

1 Claim, 3 Drawing Sheets



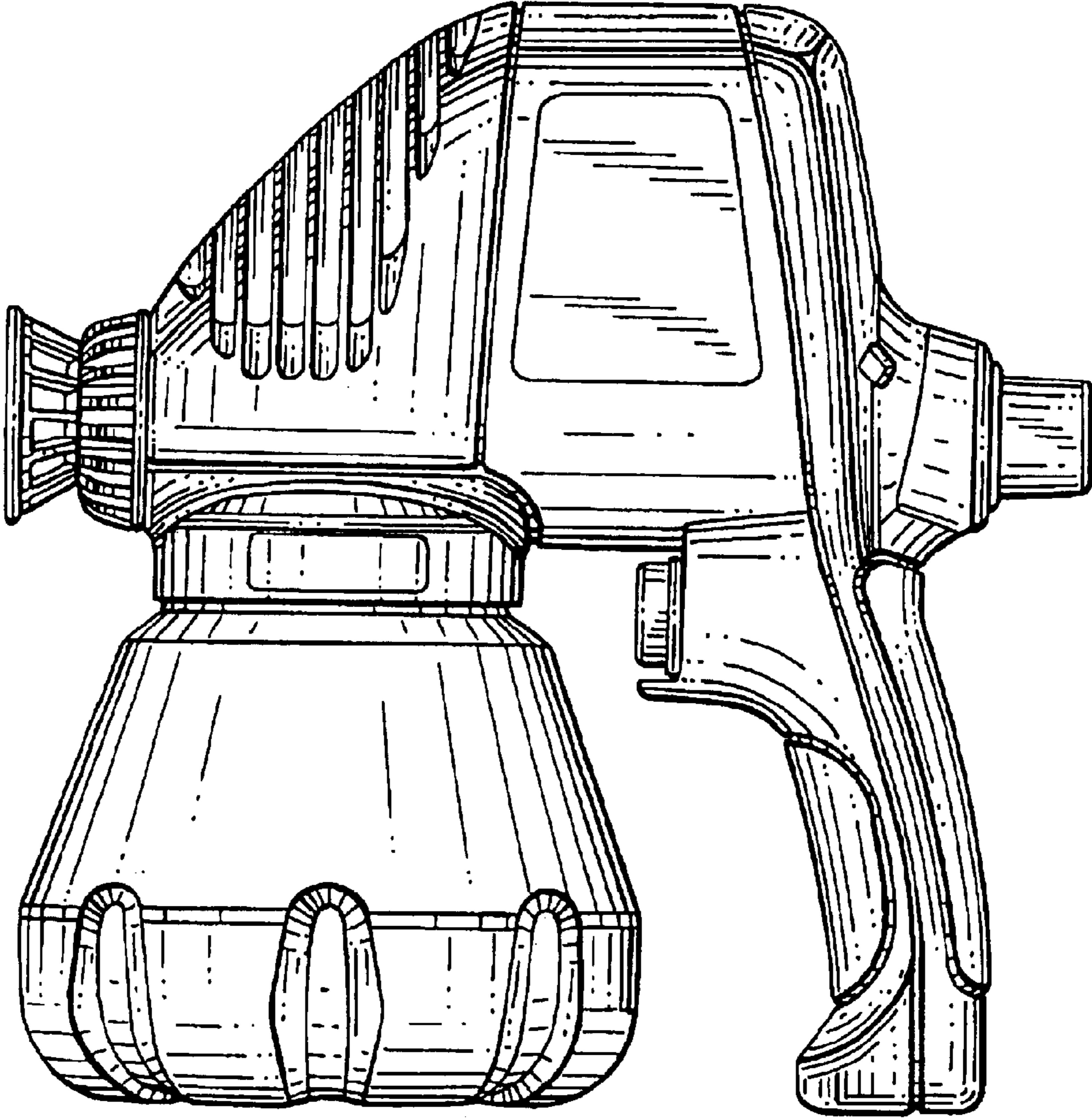


FIG. 1

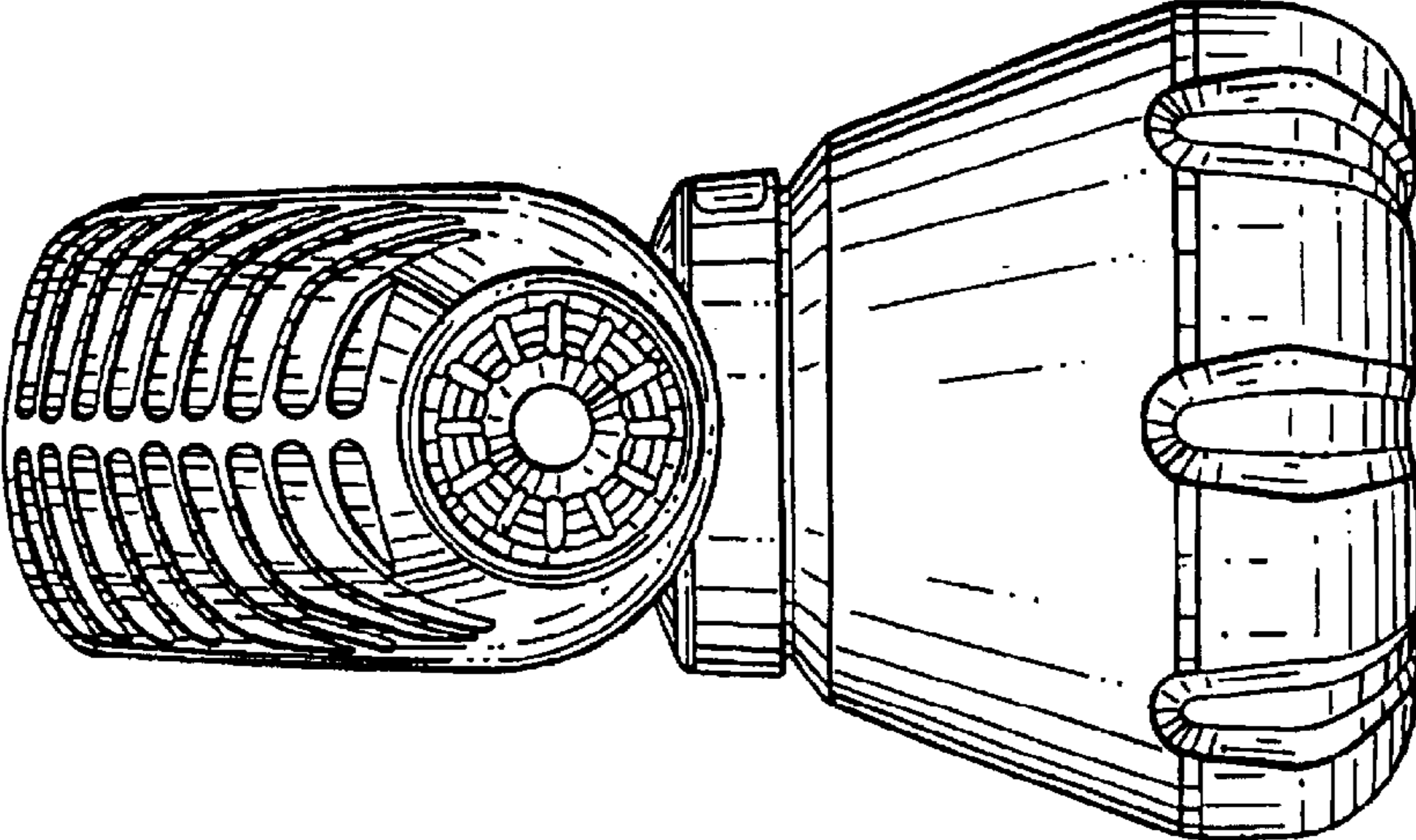


FIG. 3

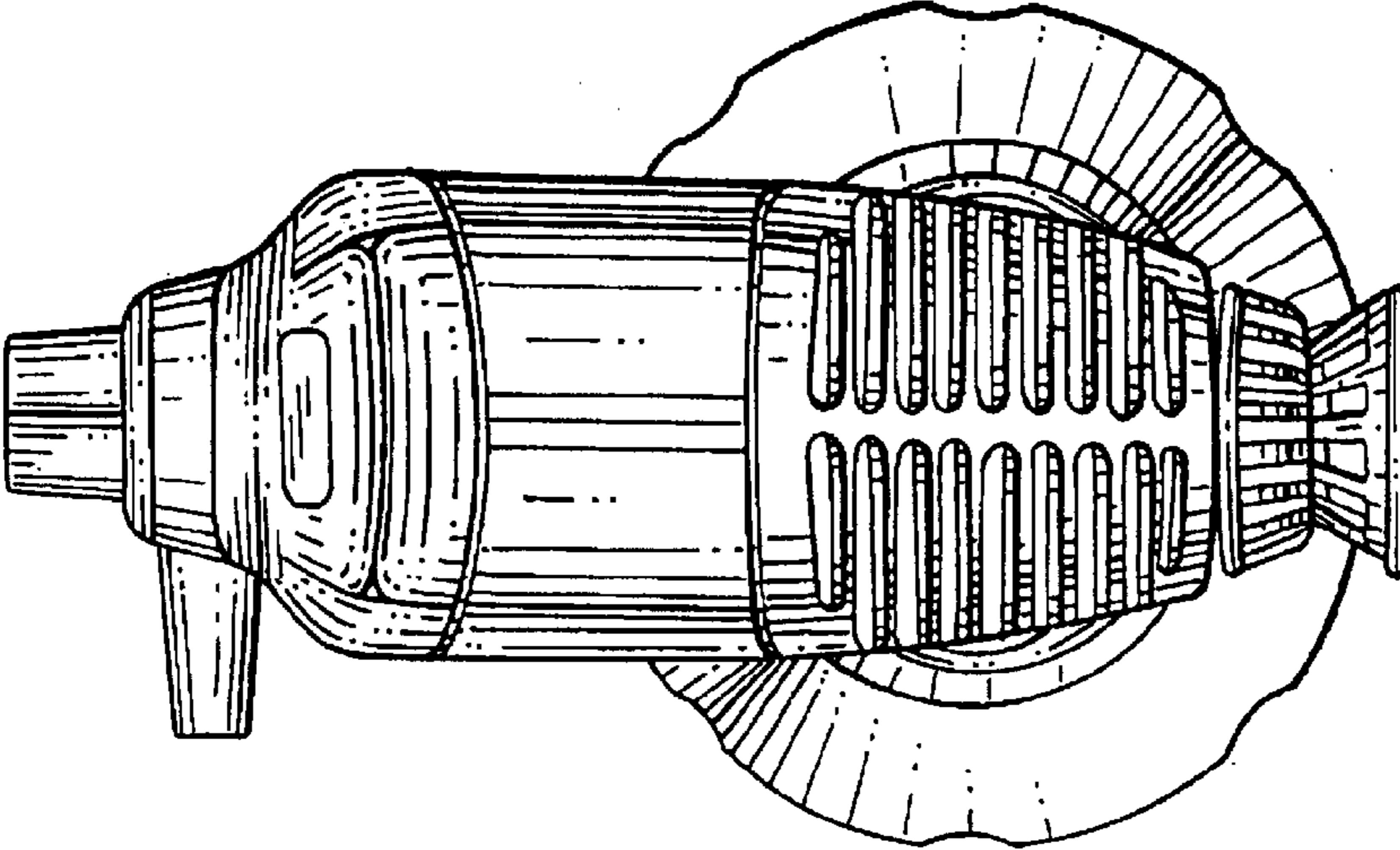


FIG. 2

FIG. 4

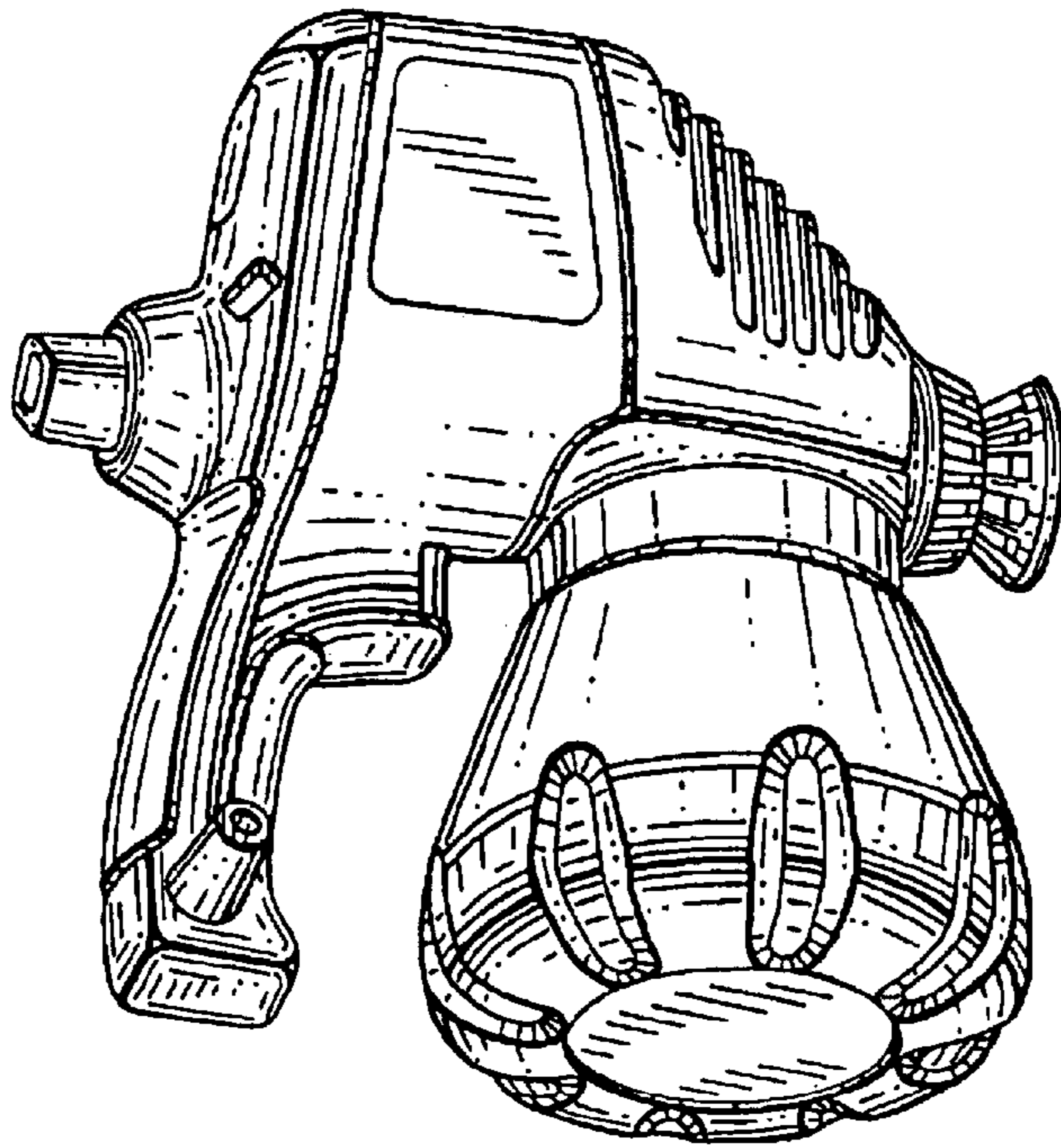
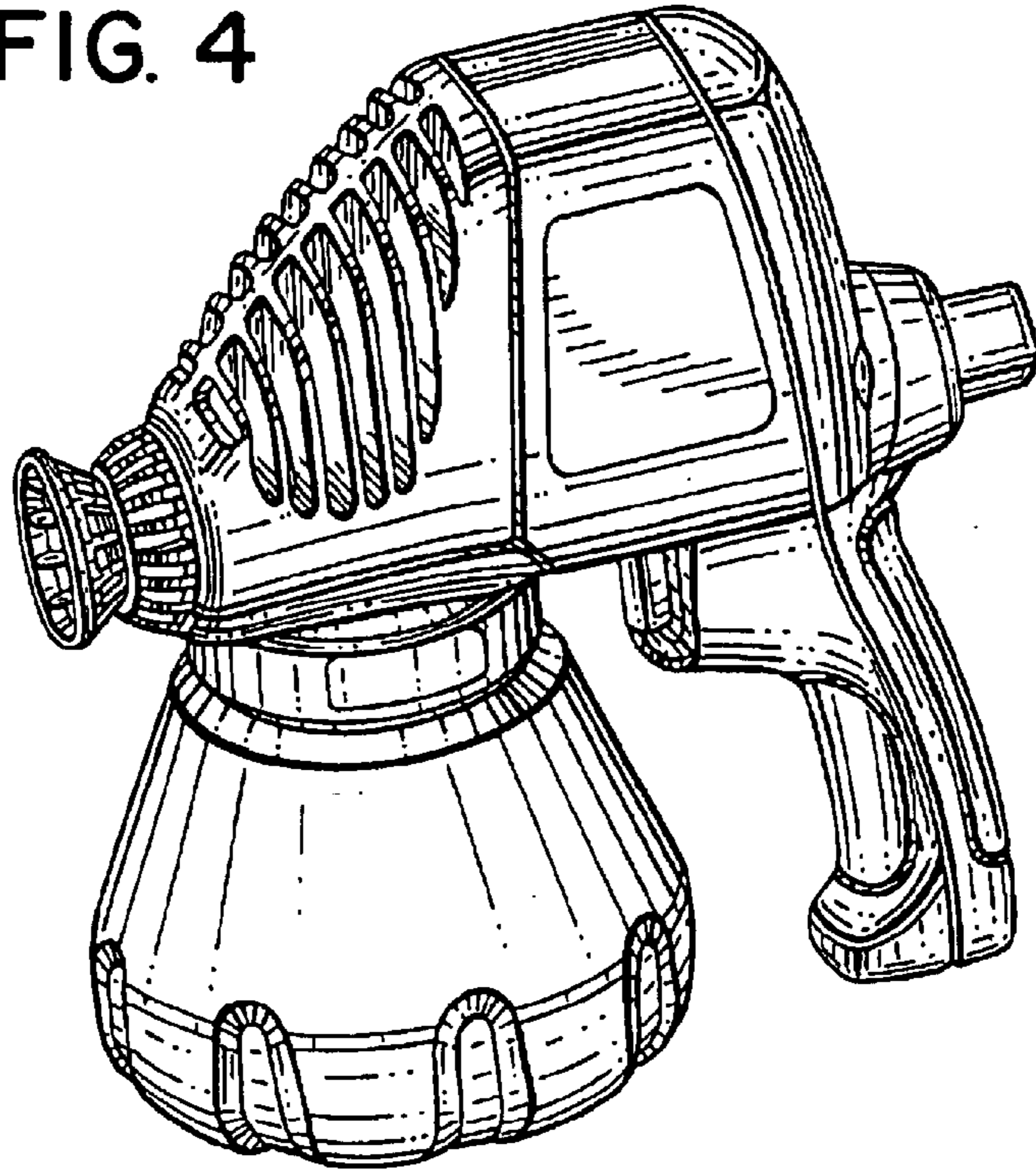


FIG. 5