

US00D495399S1

(12) **United States Design Patent** (10) **Patent No.:** **US D495,399 S**  
**Guala** (45) **Date of Patent:** **\*\* Aug. 31, 2004**

(54) **SPRAYING HEAD**

(75) Inventor: **Stefano Guala**, Spinetta Marengo (IT)

(73) Assignee: **Guala Dispensing S.p.A.**, Spinetta Marengo (IT)

(\*\*) Term: **14 Years**

(21) Appl. No.: **29/185,181**

(22) Filed: **Jun. 23, 2003**

(51) **LOC (7) Cl.** ..... **23-01**

(52) **U.S. Cl.** ..... **D23/213; D9/448**

(58) **Field of Search** ..... D23/213, 226,  
D23/225; D9/300, 448; 239/310, 312, 314,  
316

(56) **References Cited**

**U.S. PATENT DOCUMENTS**

D244,531 S	*	5/1977	Klingaman	.....	D23/225
D406,060 S	*	2/1999	Dumont et al.	.....	D9/448
D456,262 S	*	4/2002	Cummings	.....	D9/448
D463,972 S	*	10/2002	Perrin et al.	.....	D9/300

\* cited by examiner

*Primary Examiner*—Robin V. Taylor

(74) *Attorney, Agent, or Firm*—David A. Farah; Sheldon & Mak PC

(57) **CLAIM**

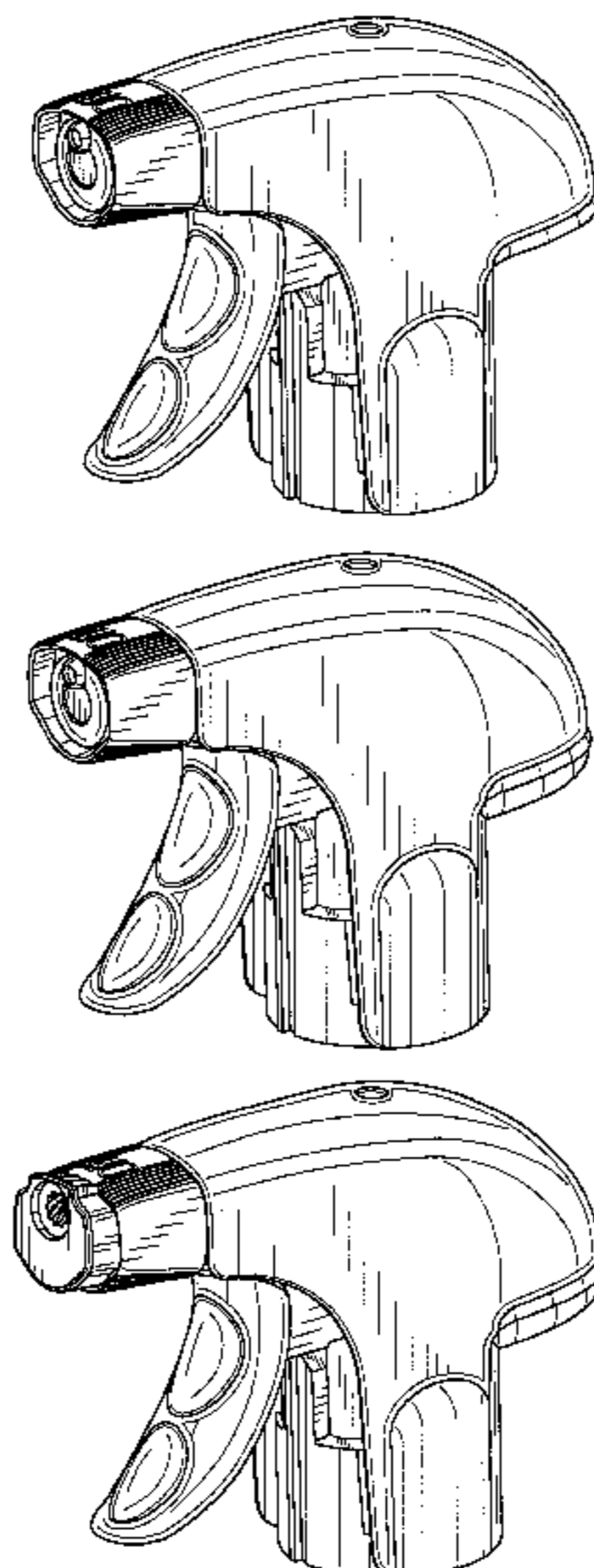
The ornamental design of a spraying head, as shown and described.

**DESCRIPTION**

FIG. 1 is a perspective view of a spraying head according to my new design;  
FIG. 2 is a front view of the spraying head shown in FIG. 1;  
FIG. 3 is a right side view of the spraying head shown in FIG. 1;

FIG. 4 is a back view of the spraying head shown in FIG. 1;  
FIG. 5 is a left side view of the spraying head shown in FIG. 1;  
FIG. 6 is a top view of the spraying head shown in FIG. 1;  
FIG. 7 is a bottom view of a spraying head shown in FIG. 1;  
FIG. 8 is a perspective view of a spraying head according to another embodiment of my new design;  
FIG. 9 is a front view of the spraying head shown in FIG. 8;  
FIG. 10 is a right side view of the spraying head shown in FIG. 8;  
FIG. 11 is a back view of the spraying head shown in FIG. 8;  
FIG. 12 is a left side view of the spraying head shown in FIG. 8;  
FIG. 13 is a top view of the spraying head shown in FIG. 8;  
FIG. 14 is a bottom view of a spraying head shown in FIG. 8;  
FIG. 15 is a perspective view of a spraying head according to another embodiment of my new design;  
FIG. 16 is a front view of the spraying head shown in FIG. 15;  
FIG. 17 is a right side view of the spraying head shown in FIG. 15;  
FIG. 18 is a back view of the spraying head shown in FIG. 15;  
FIG. 19 is a left side view of the spraying head shown in FIG. 15;  
FIG. 20 is a top view of the spraying head shown in FIG. 15;  
and,  
FIG. 21 is a bottom view of a spraying head shown in FIG. 15.  
The embodiment shown in FIG. 1 to FIG. 7 is essentially the same as the embodiment shown in FIG. 8 to FIG. 14, but with a thinner center back portion as can best be seen comparing FIGS. 1, 3, 4 and 5 with FIGS. 8, 10, 11 and 12, respectively. The embodiment shown in FIG. 8 to FIG. 14 is essentially the same as the embodiment shown in FIG. 15 to FIG. 21, but with a slightly altered version of the top front.

**1 Claim, 12 Drawing Sheets**



*FIG. 1*

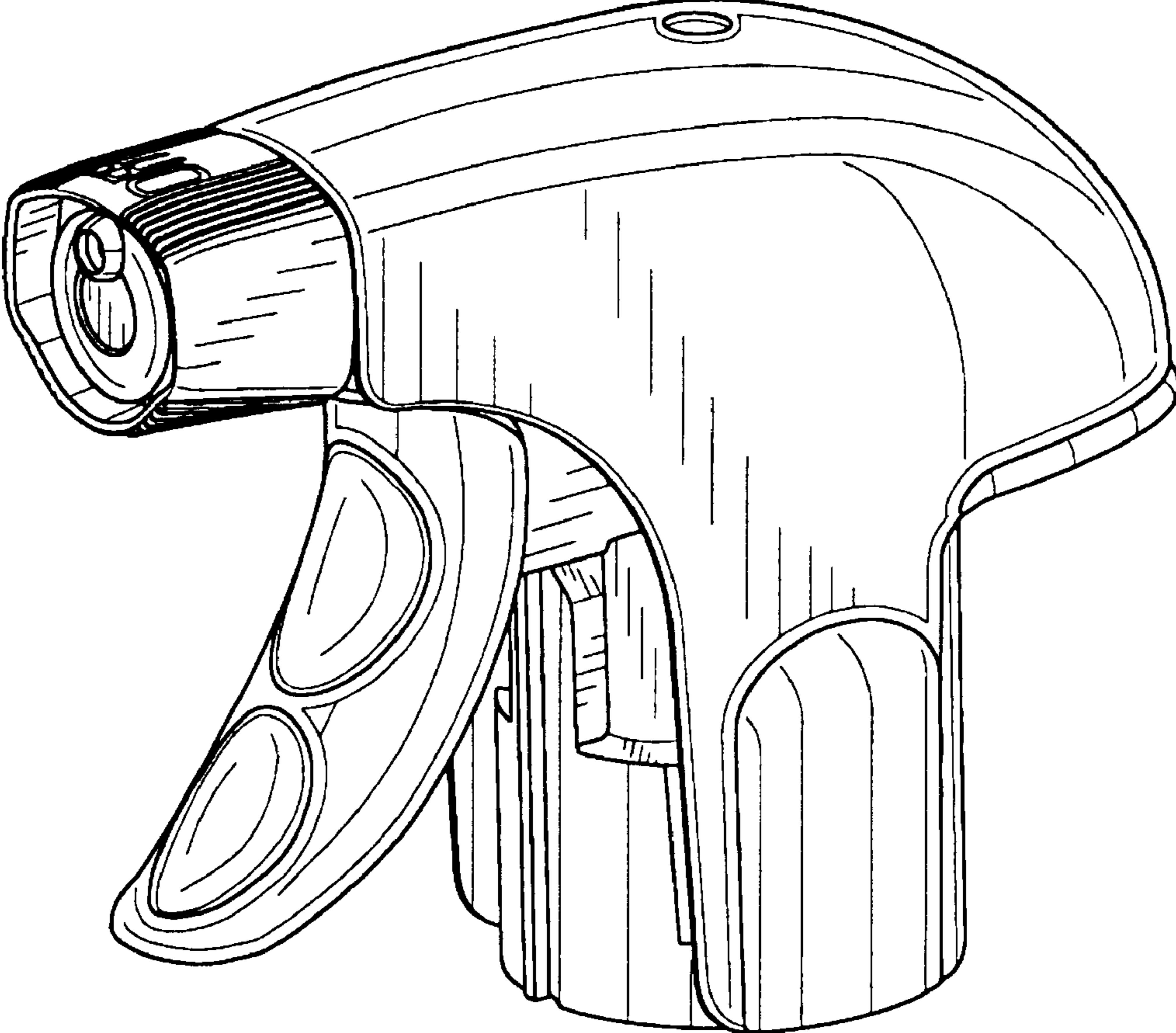


FIG.3

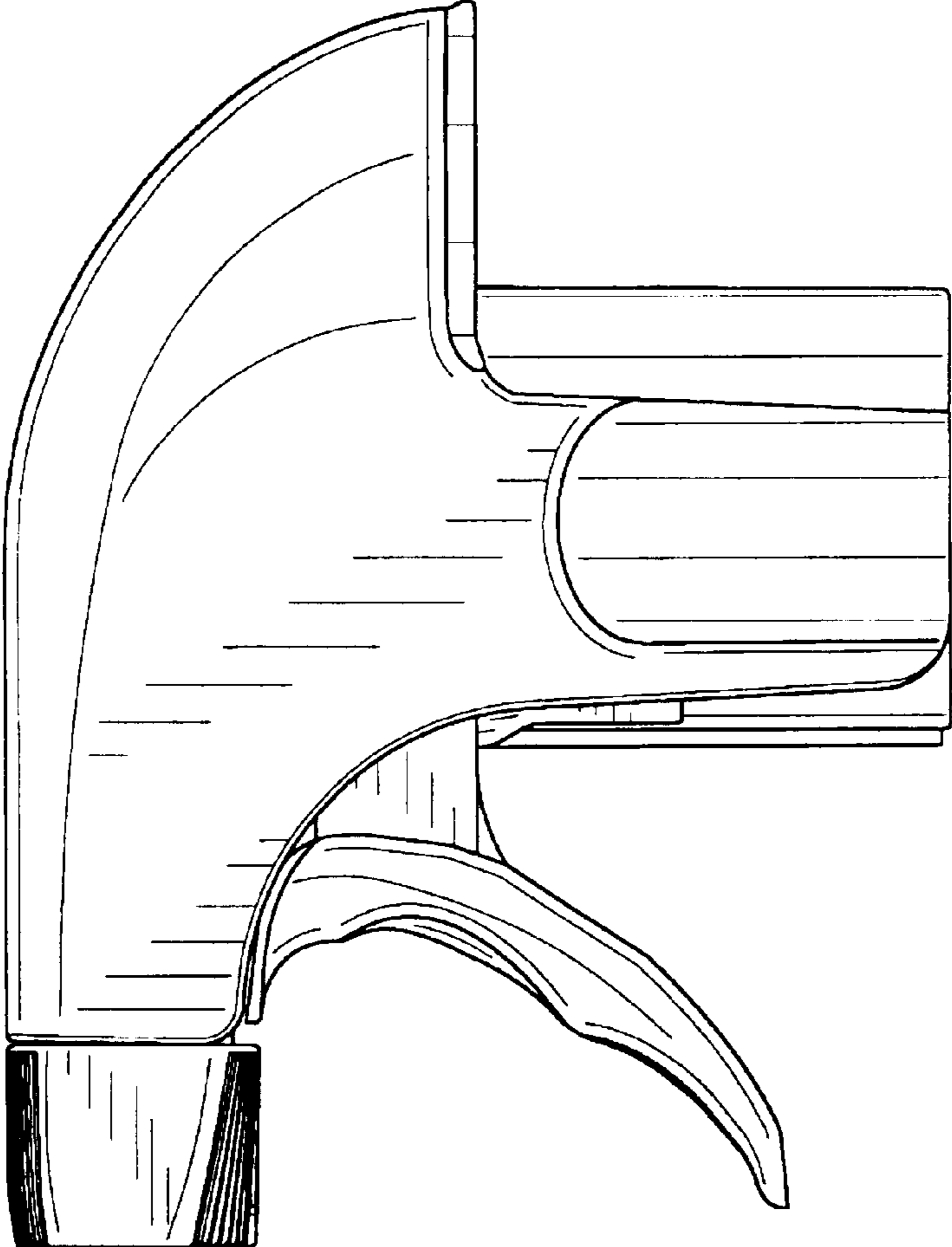


FIG.2

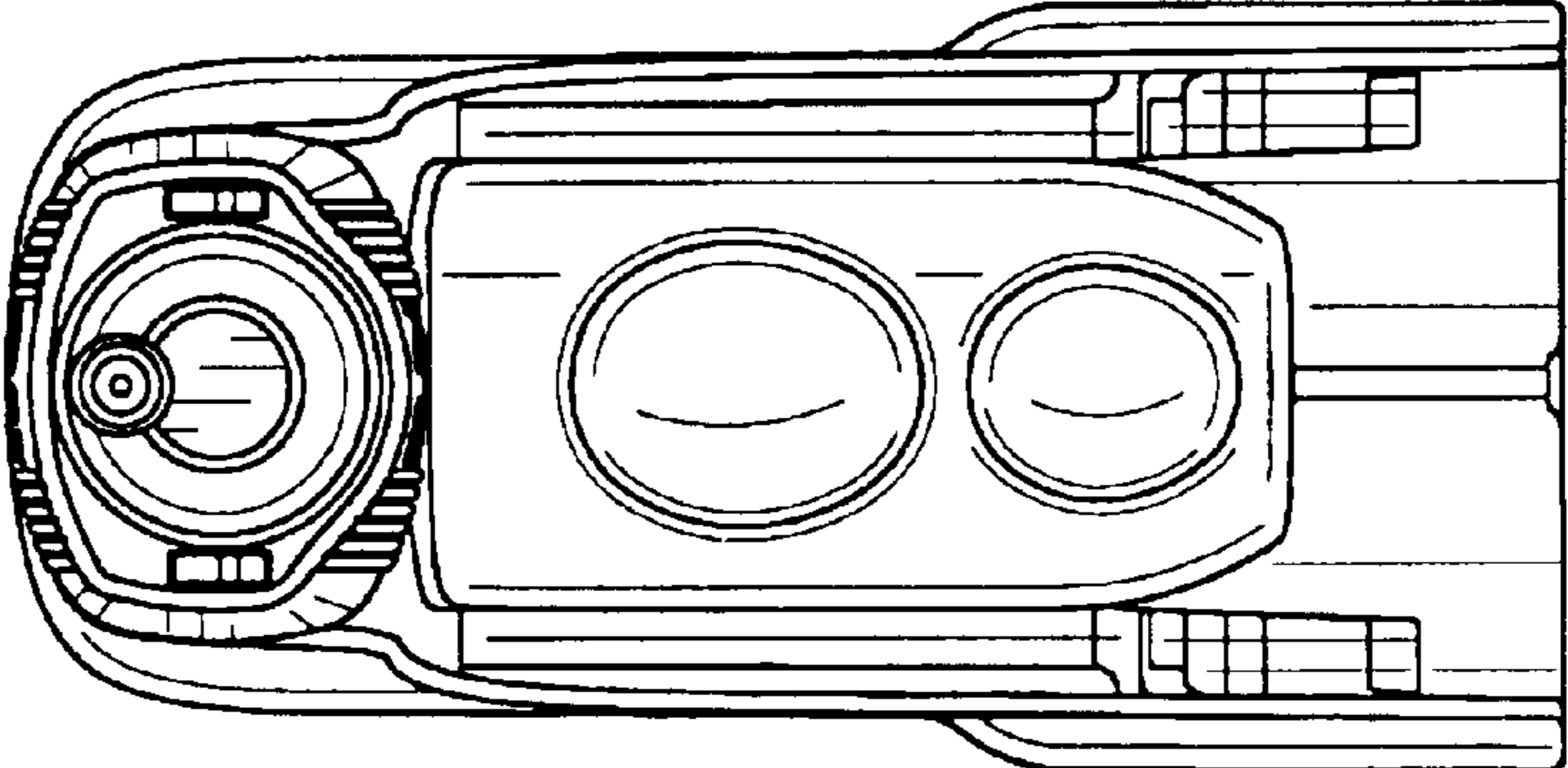


FIG.5

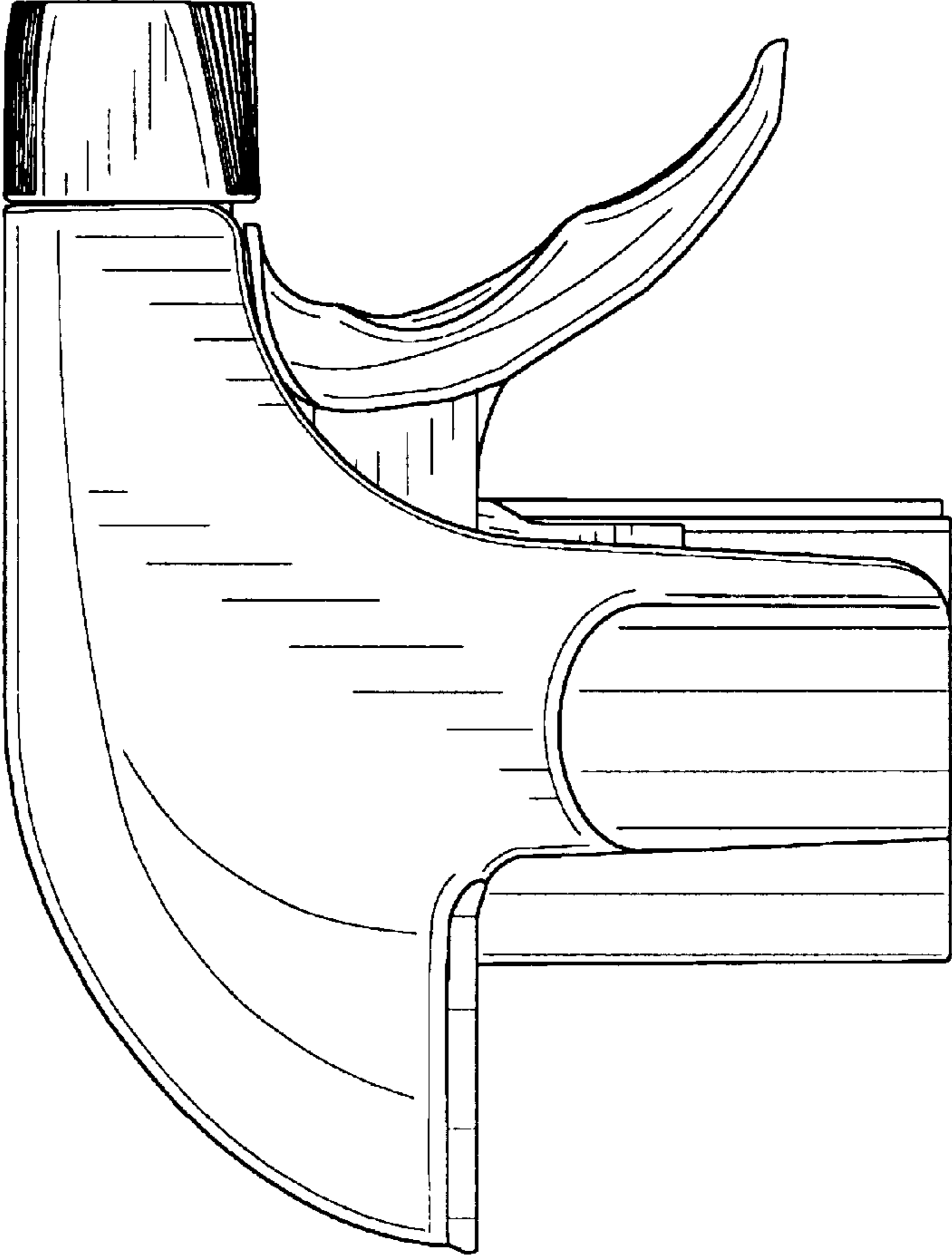


FIG.4

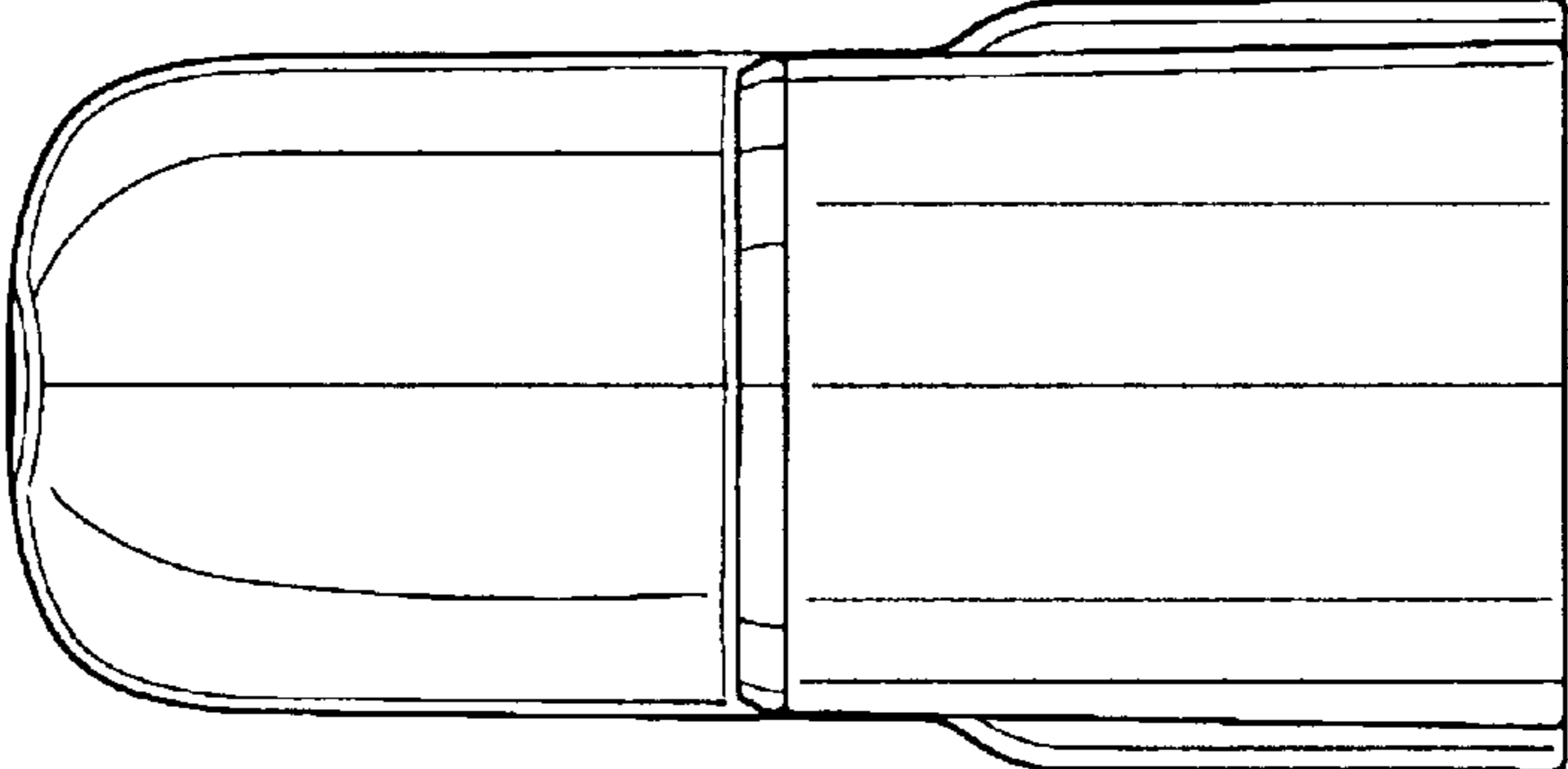


FIG. 7

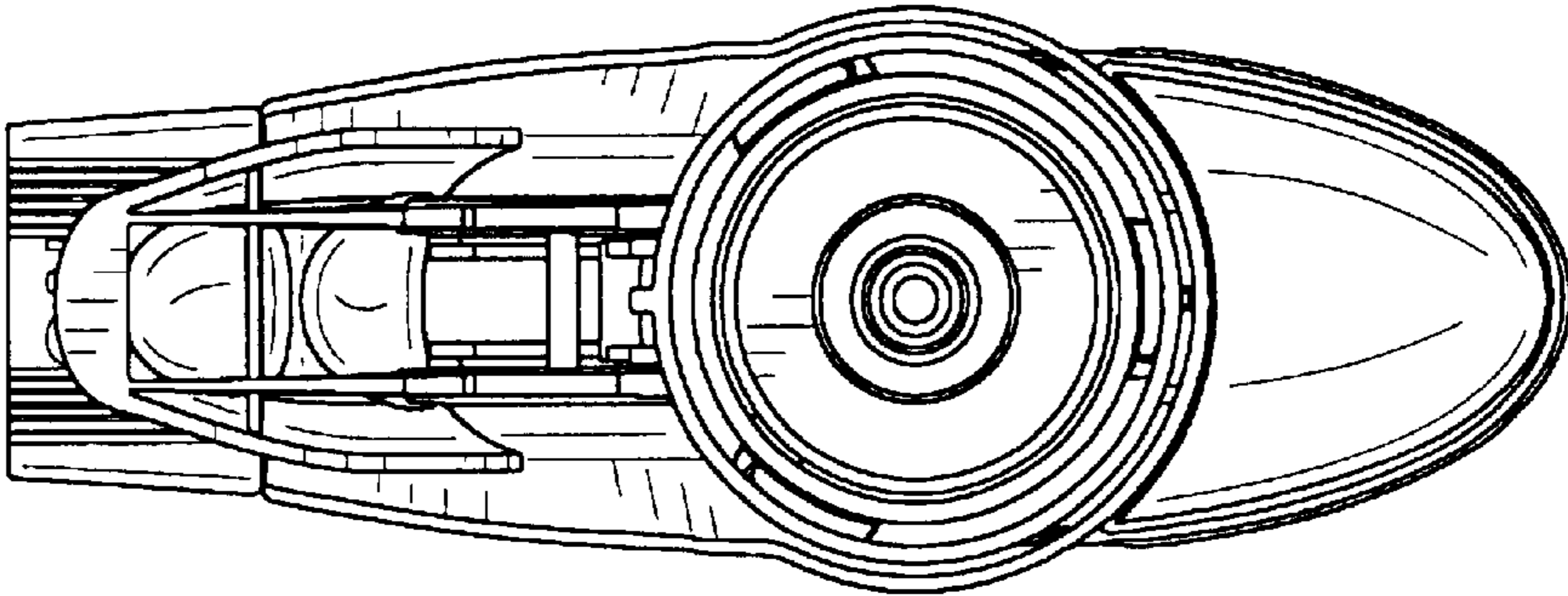
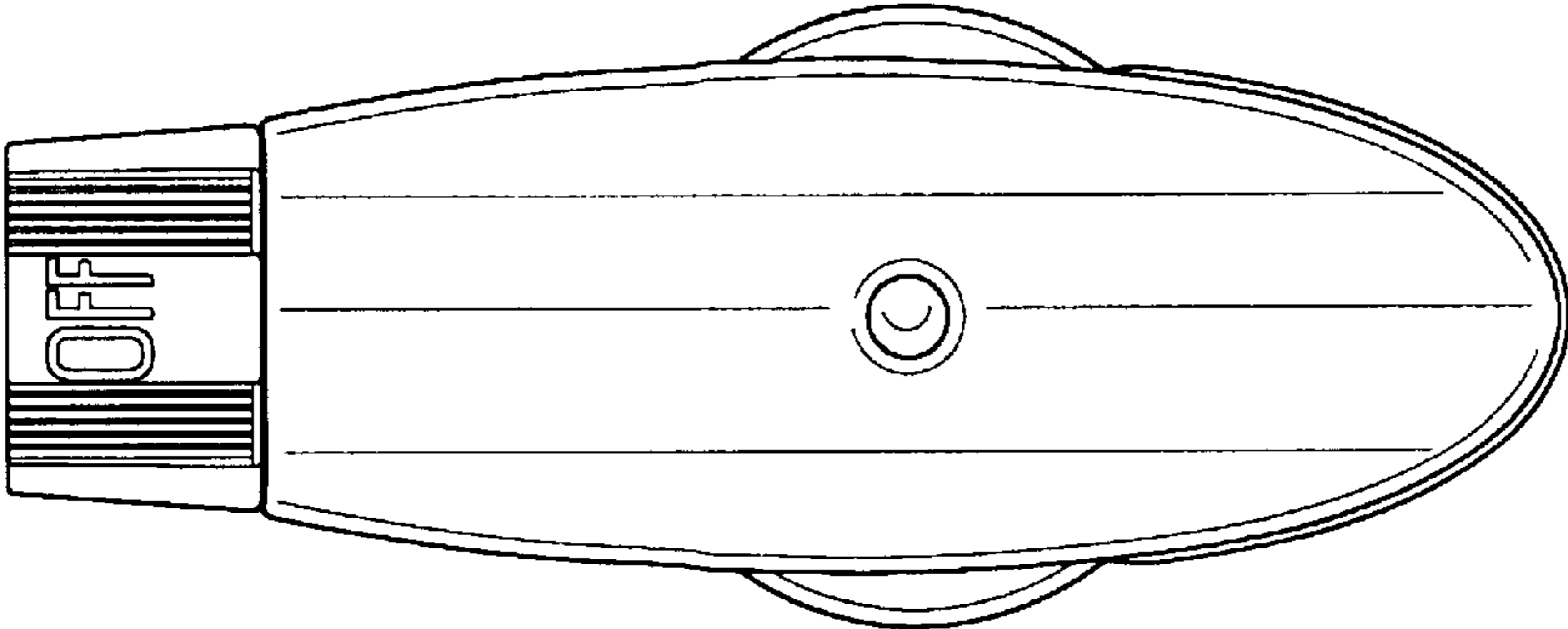


FIG. 6





*FIG. 8*

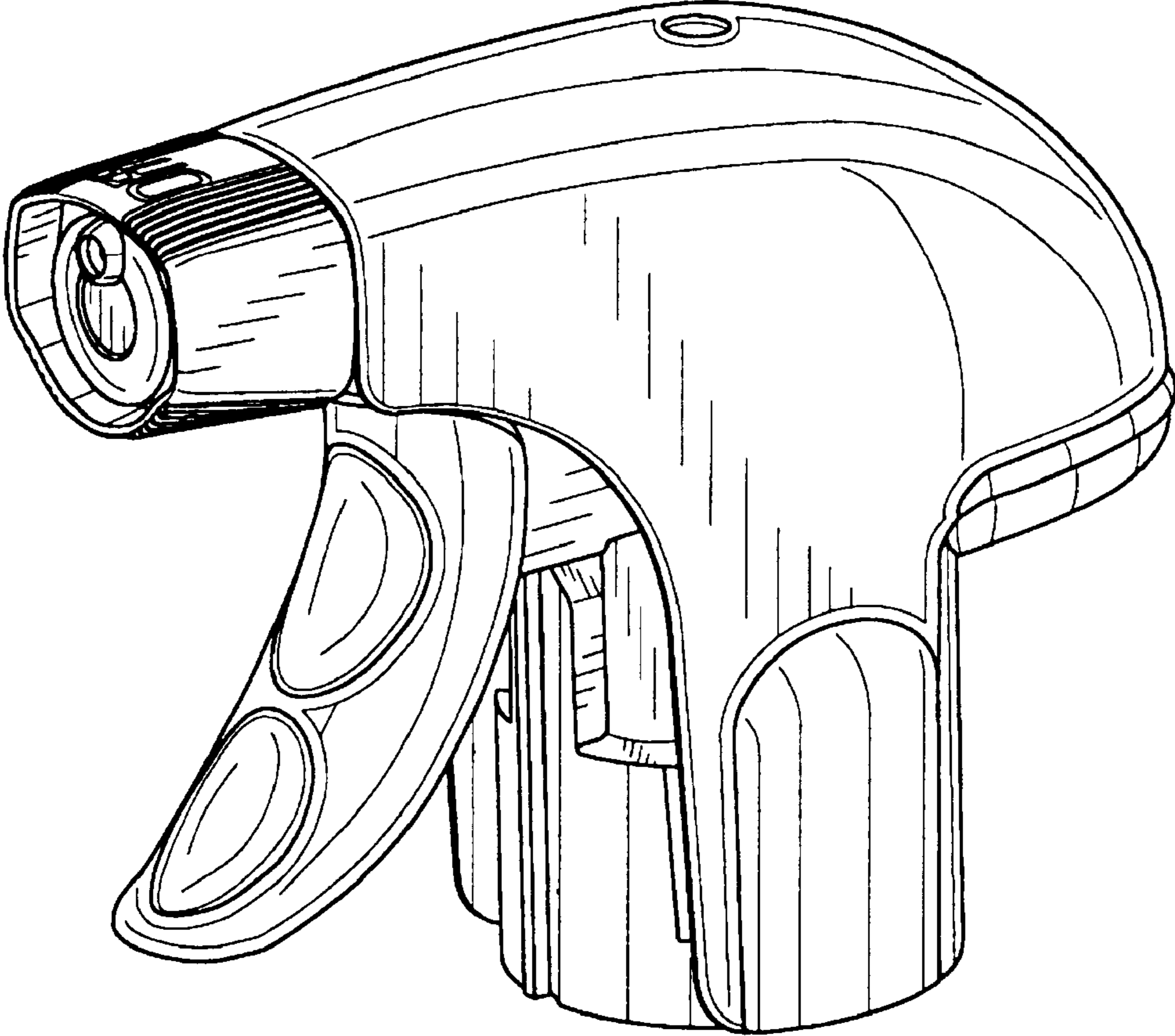


FIG.10

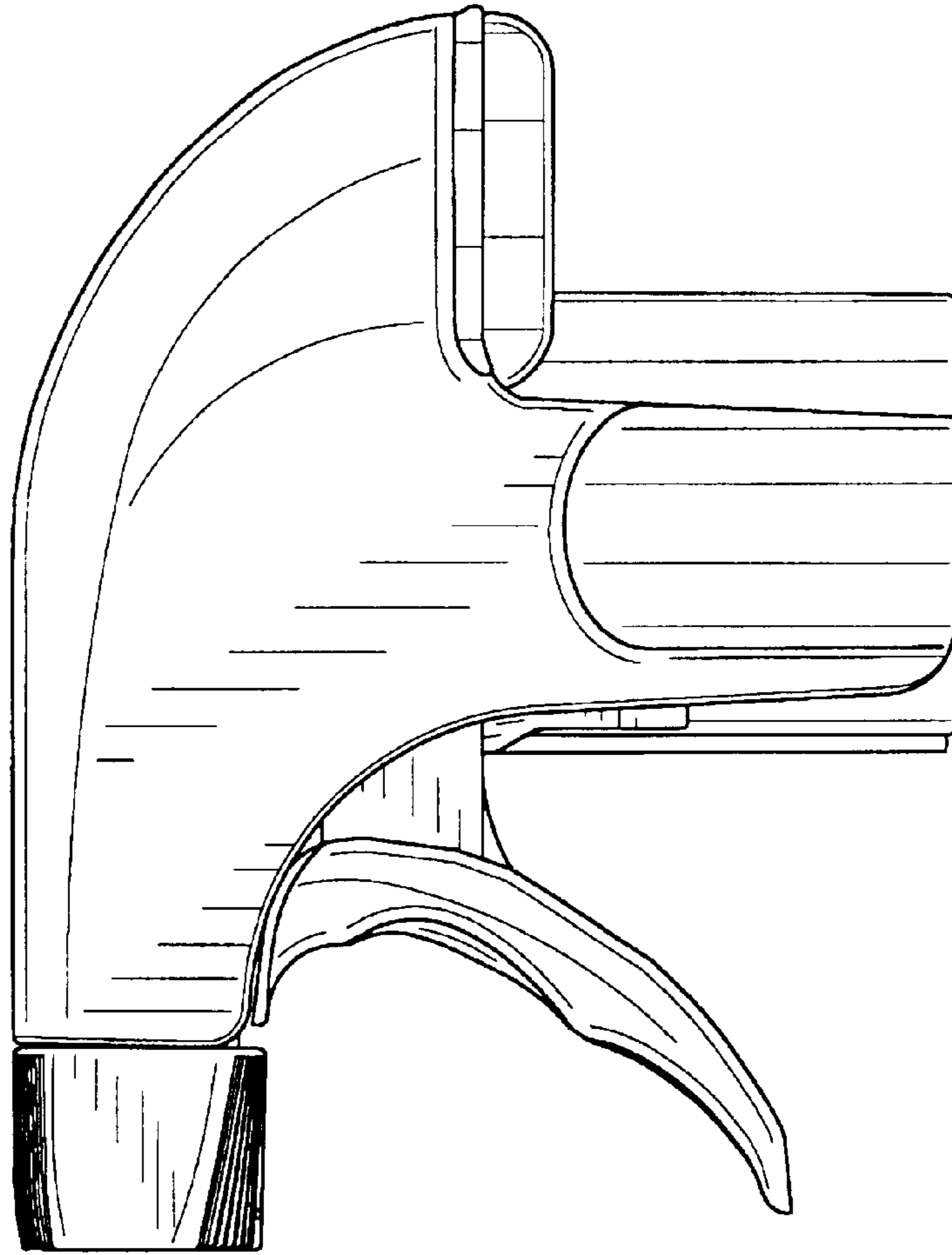


FIG.9

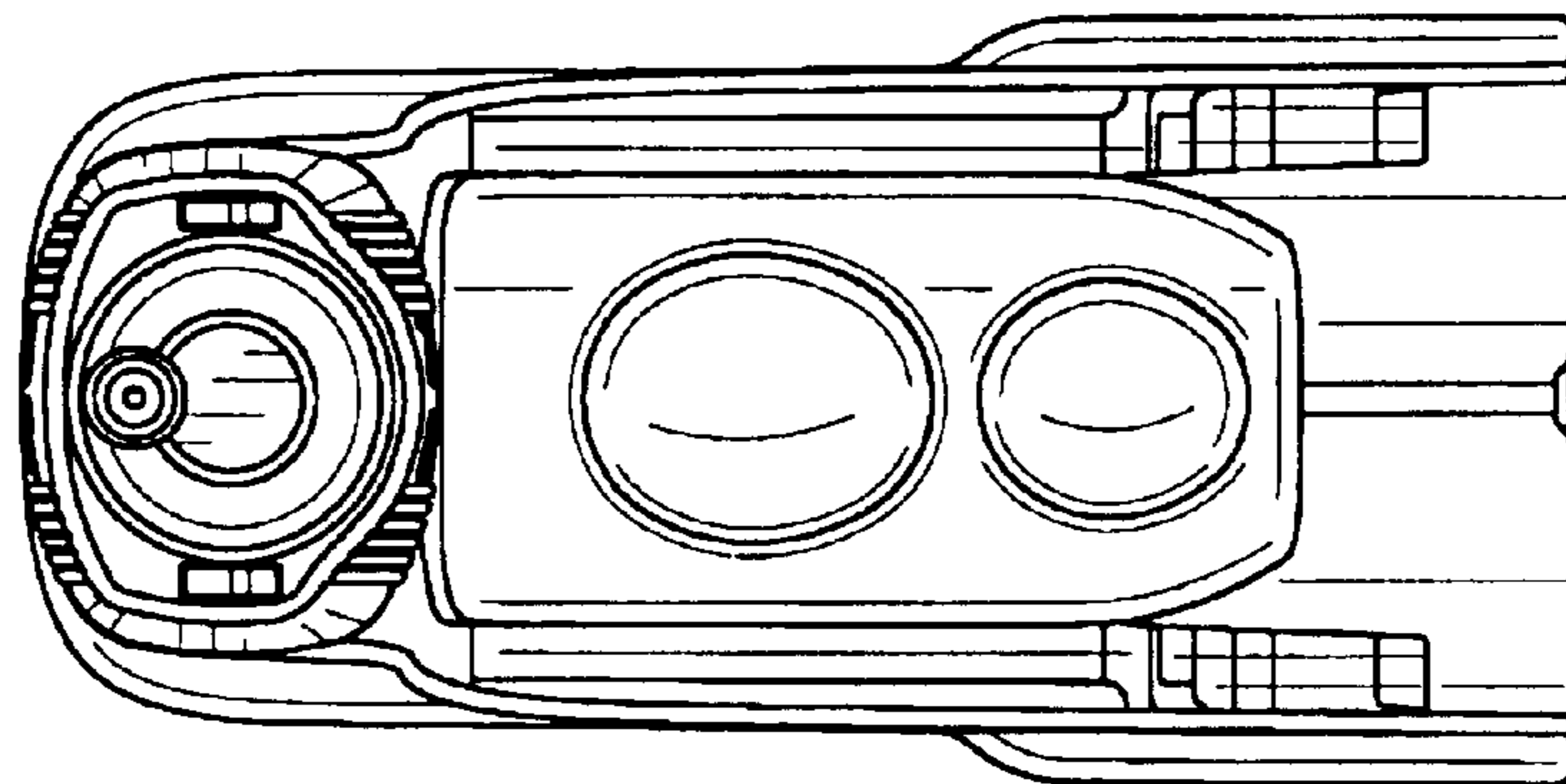


FIG. 12

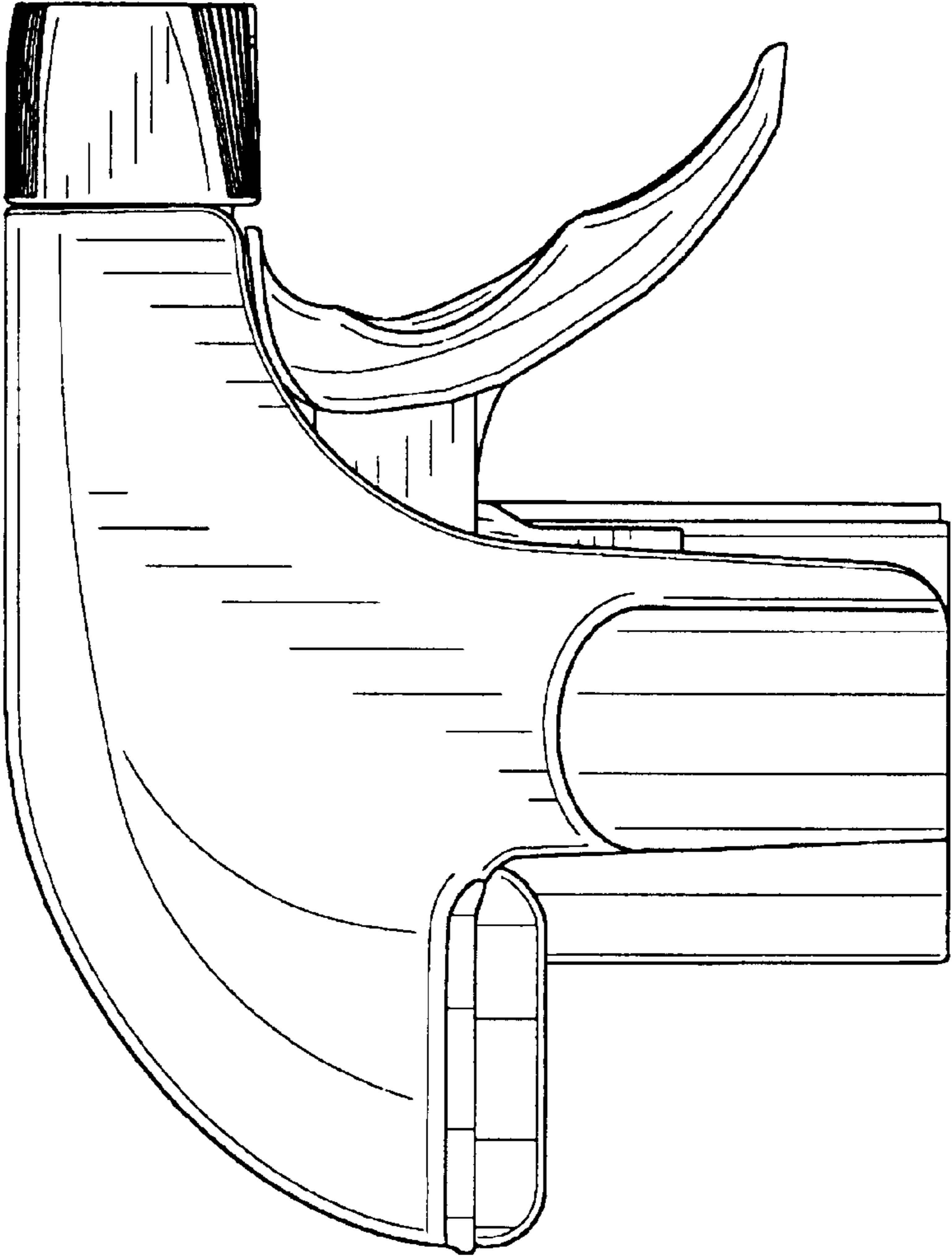


FIG. 11

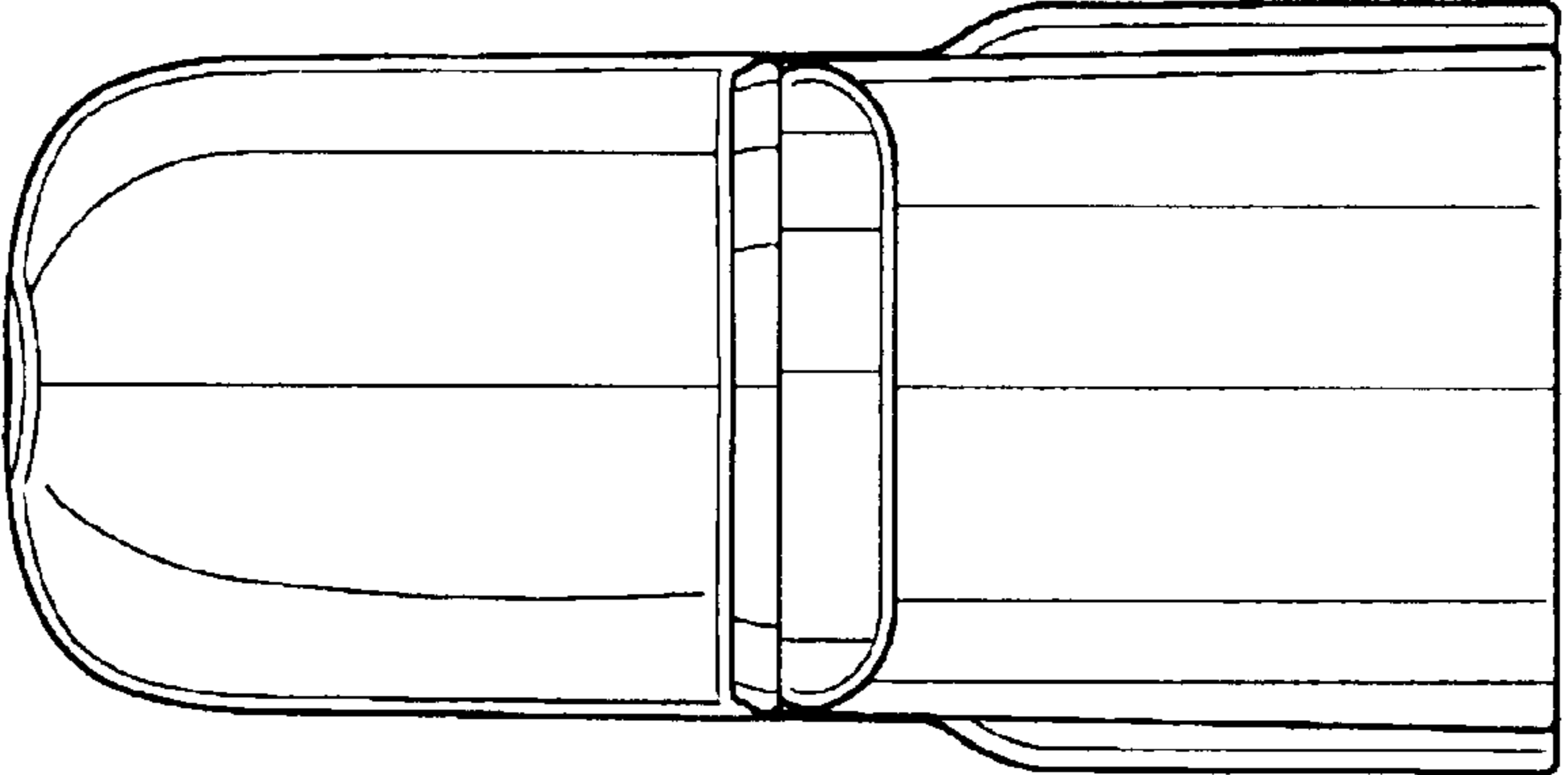




FIG. 14

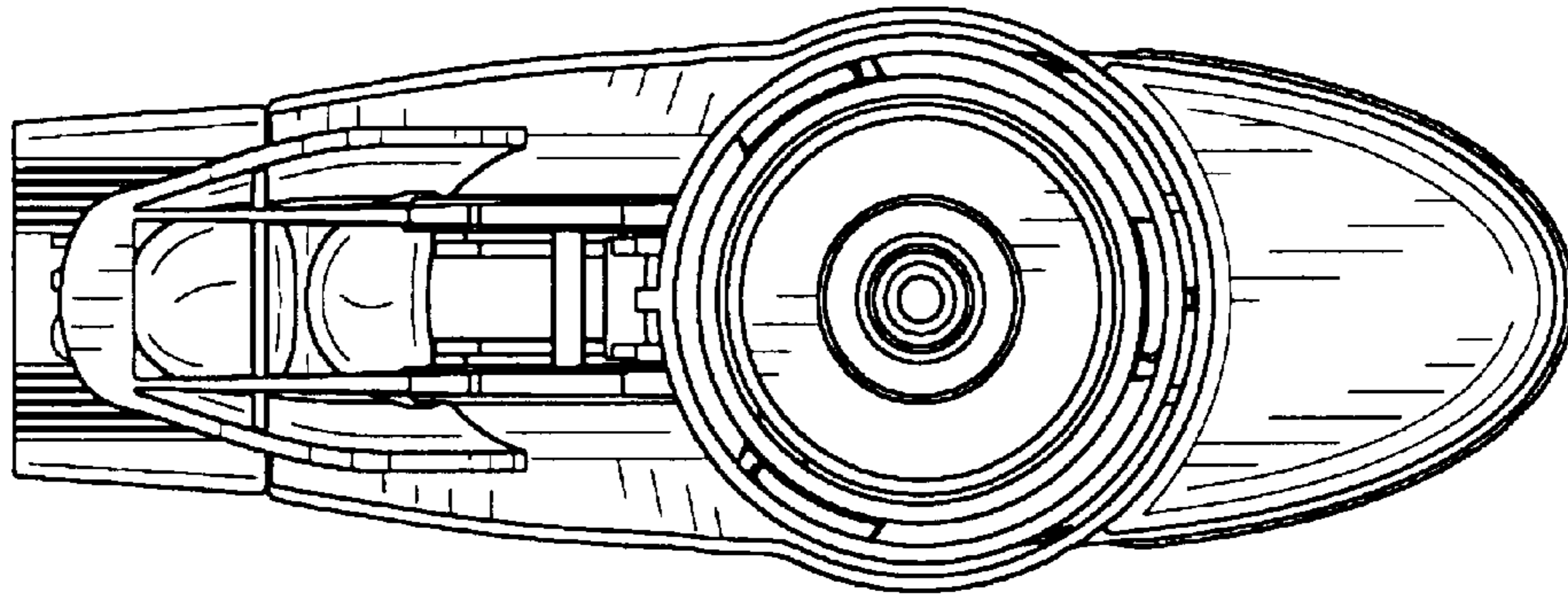
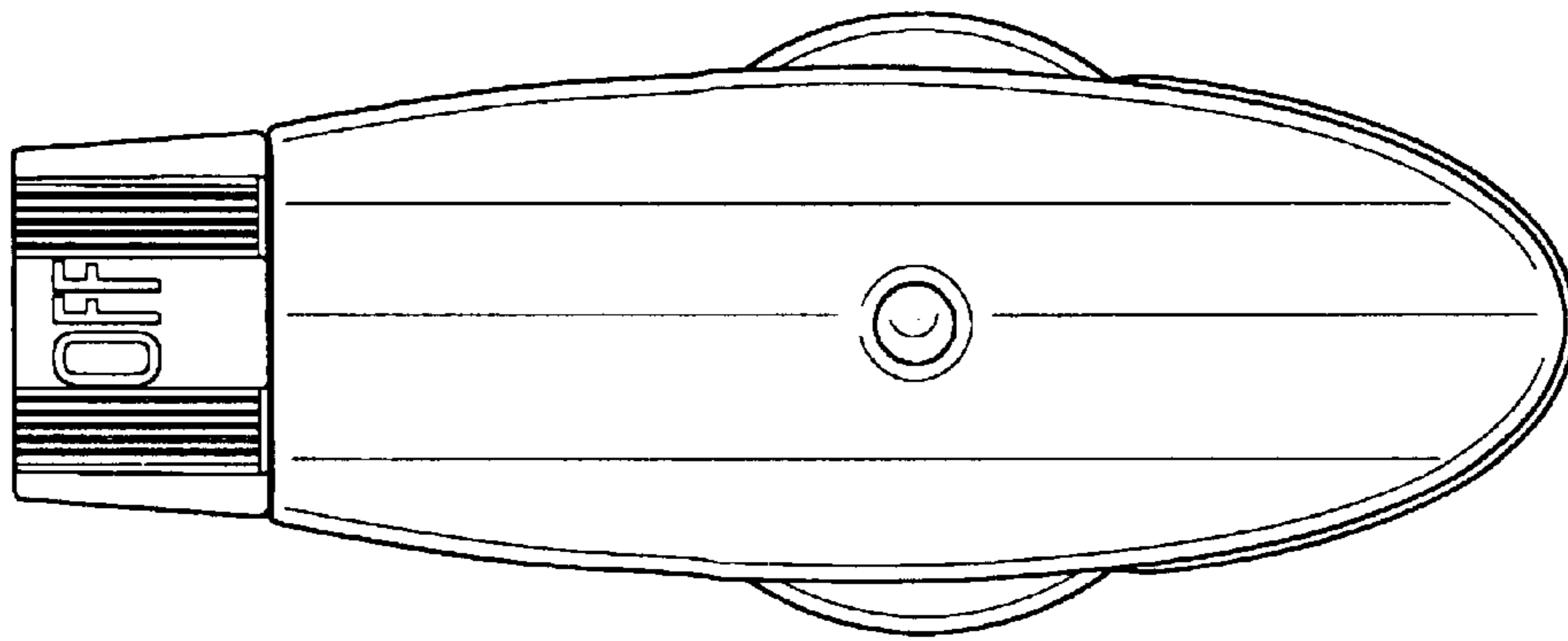


FIG. 13



*FIG. 15*

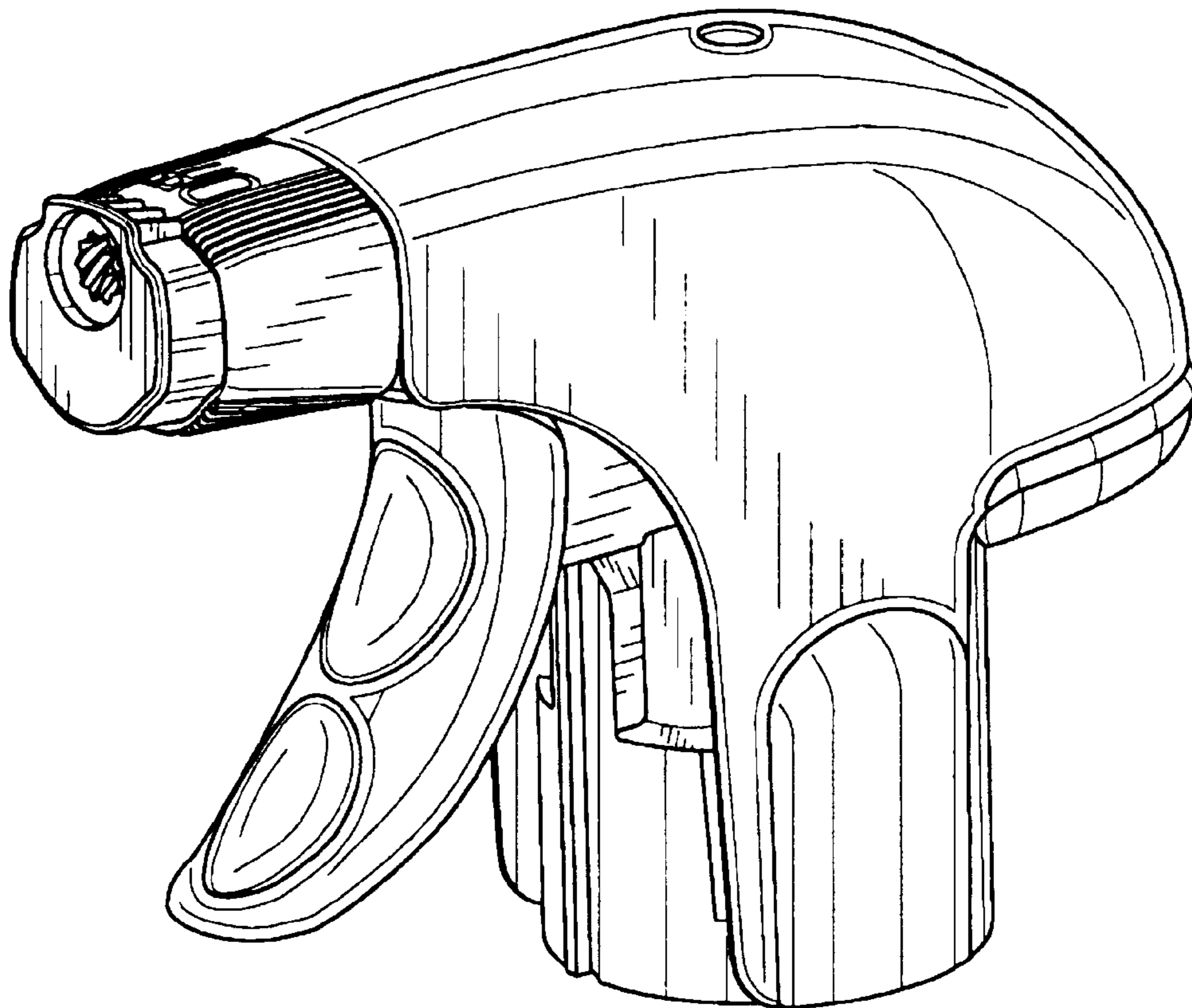


FIG.17

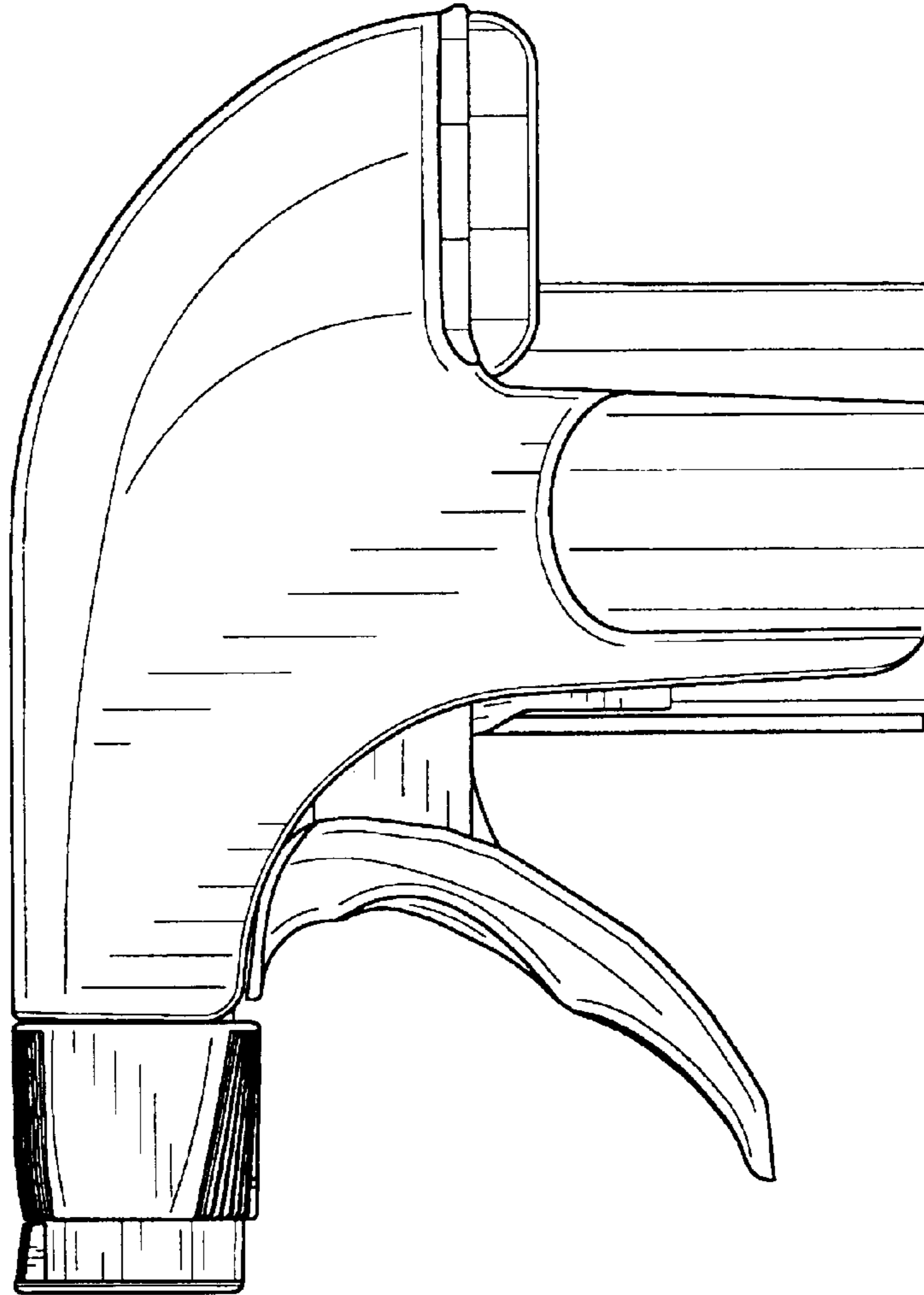


FIG.16

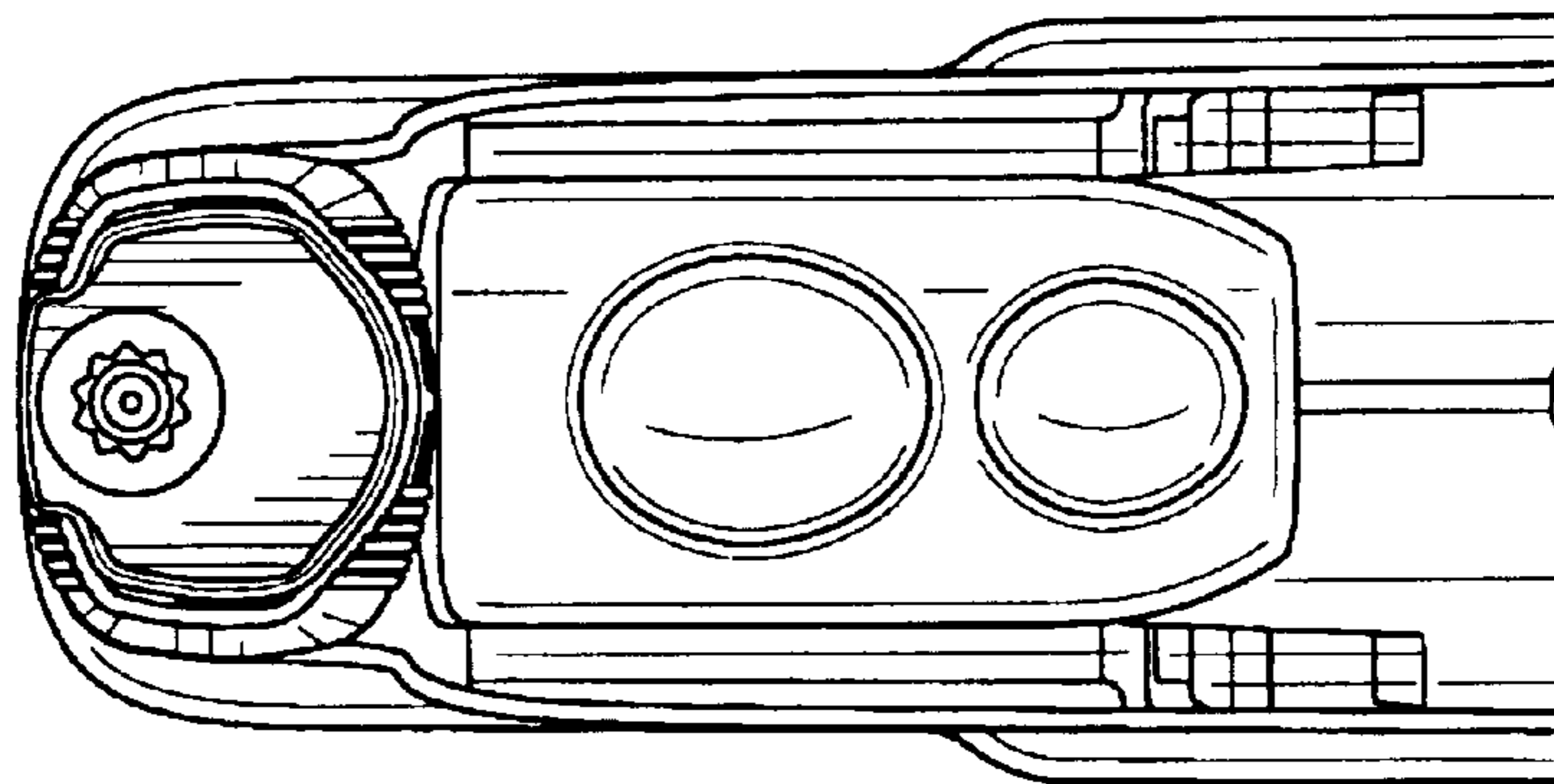


FIG. 19

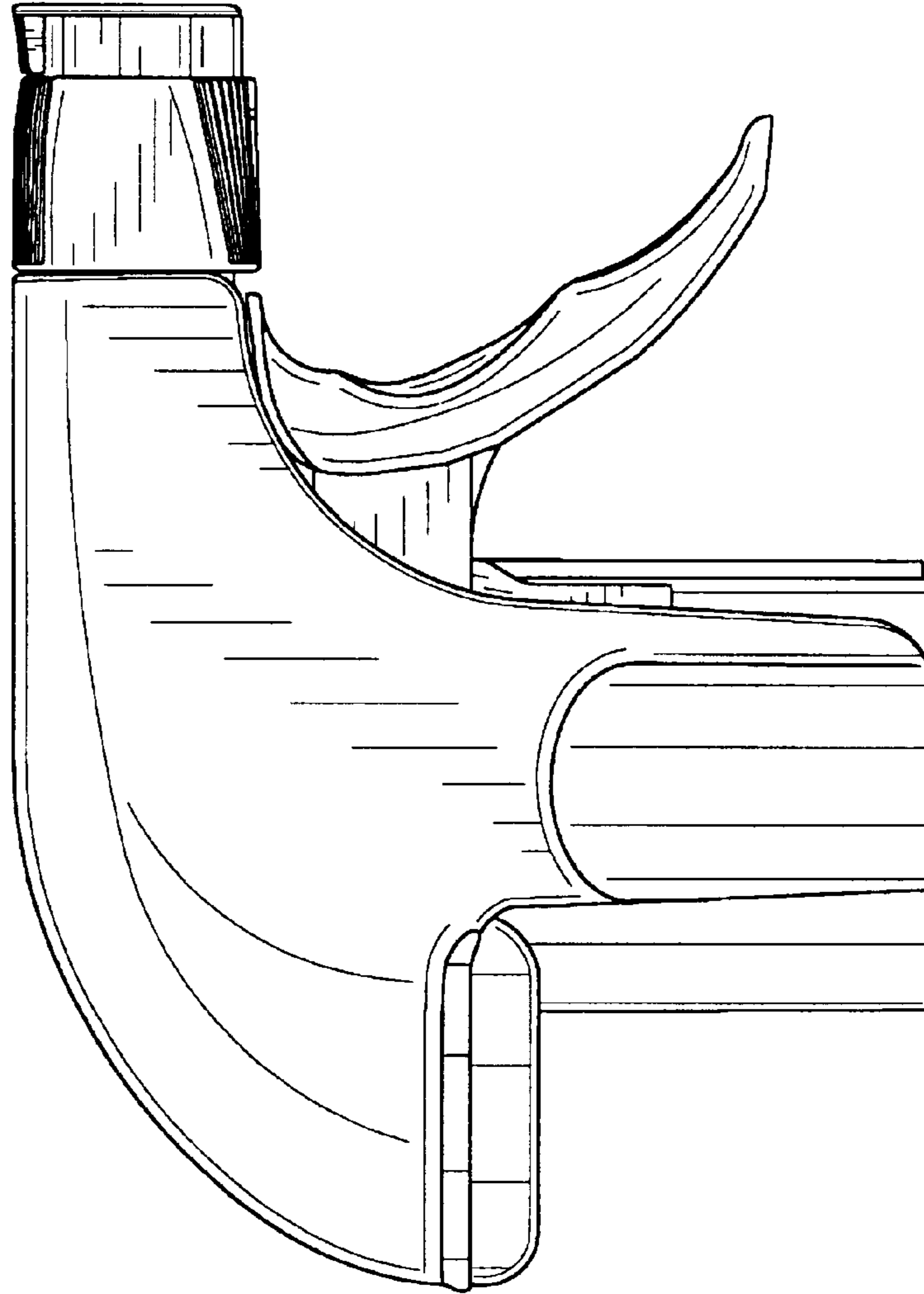


FIG. 18

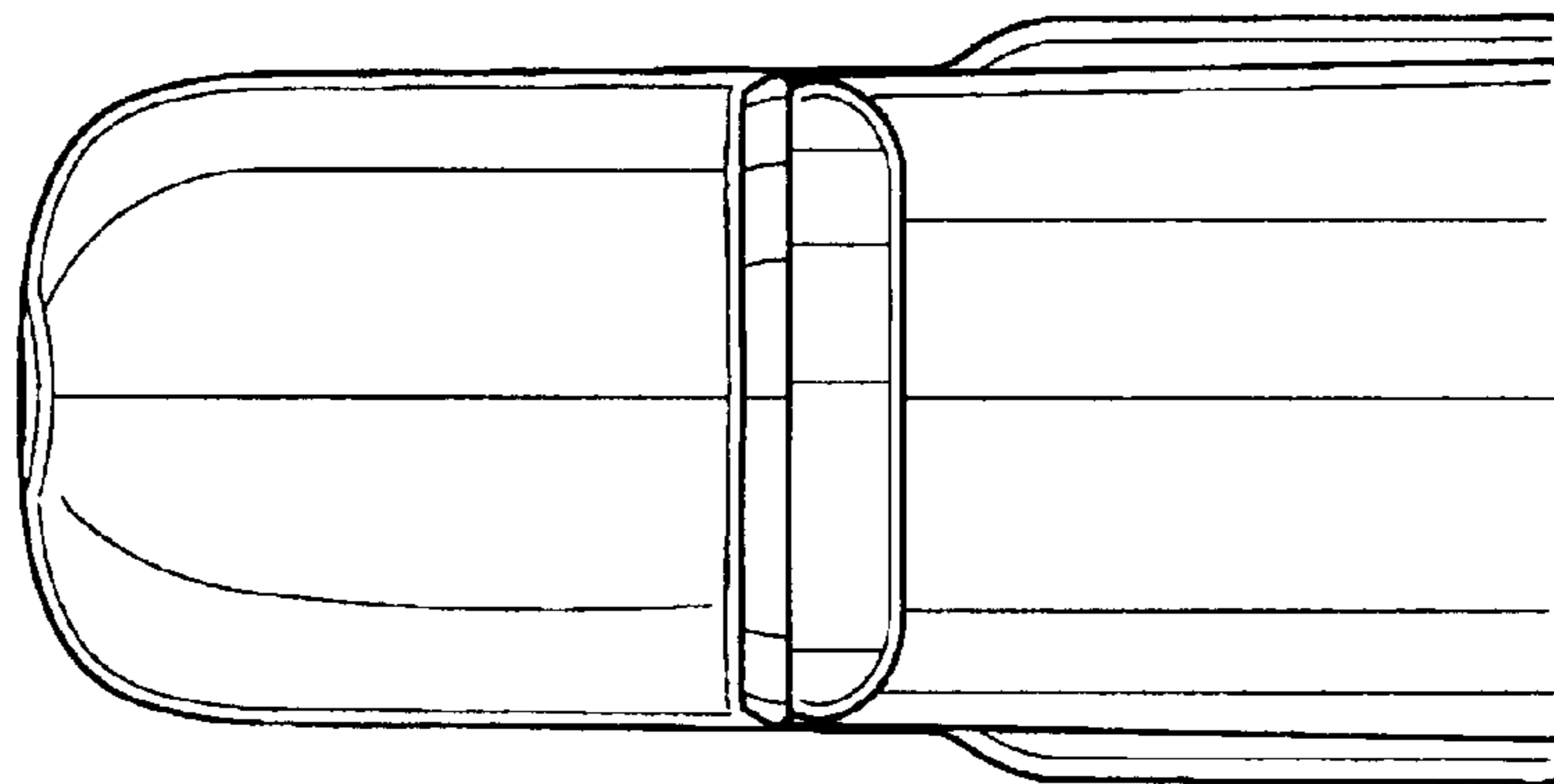


FIG. 21

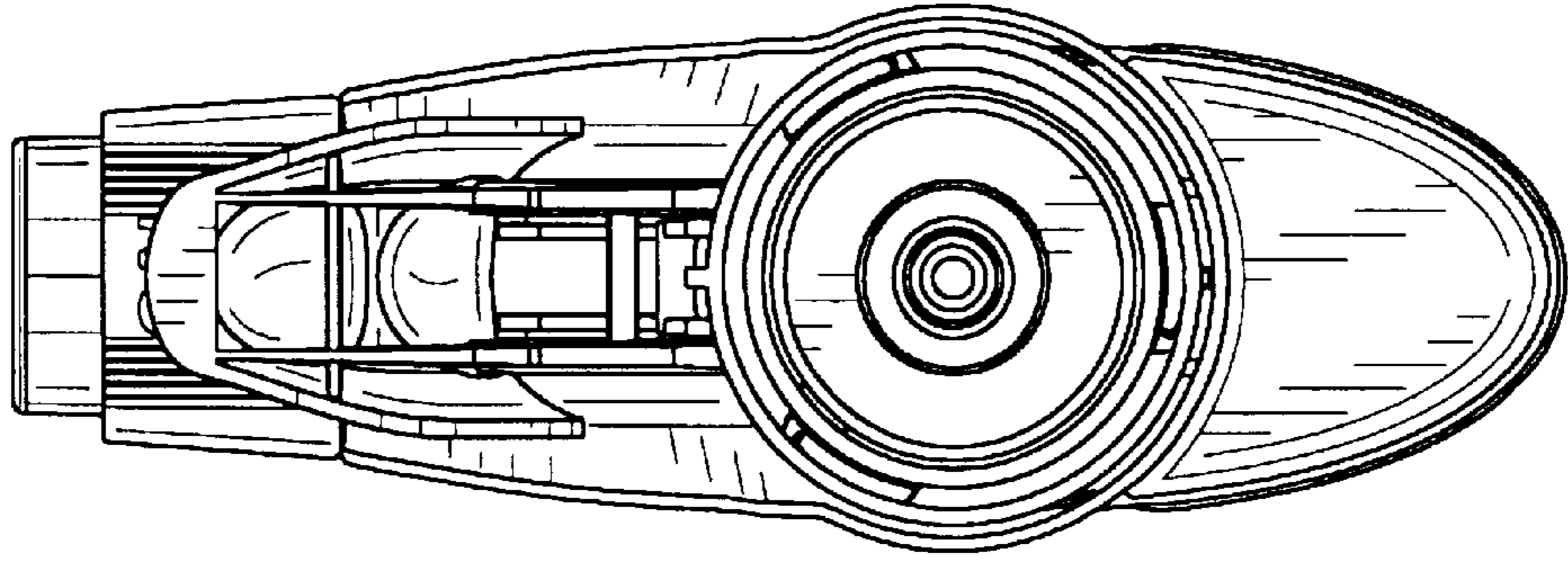


FIG. 20

