

US00D495398S1

(12) **United States Design Patent**
Yeager

(10) **Patent No.:** **US D495,398 S**

(45) **Date of Patent:** **** Aug. 31, 2004**

(54) **NOZZLE FOR DISPENSING FLUIDS**

D408,495 S	4/1999	Adams	D23/213	
D436,648 S	*	1/2001	Maddox et al.	D23/213
D442,670 S	*	5/2001	Maddox et al.	D23/213
D443,021 S	*	5/2001	Maddox et al.	D23/213

(75) Inventor: **Robert H. Yeager**, Twinsburg, OH
(US)

(73) Assignee: **Joseph S. Kanfer**, Richfield, OH (US)

(**) Term: **14 Years**

(21) Appl. No.: **29/152,784**

(22) Filed: **Jan. 2, 2002**

(51) **LOC (7) Cl.** **23-01**

(52) **U.S. Cl.** **D23/213**

(58) **Field of Search** D23/213; 239/390,
239/601

* cited by examiner

Primary Examiner—Robin V. Taylor

(74) *Attorney, Agent, or Firm*—Renner, Kenner, Greive,
Bobak, Taylor & Weber

(57) **CLAIM**

I claim the ornamental design for an nozzle for dispensing fluids, as shown and described.

DESCRIPTION

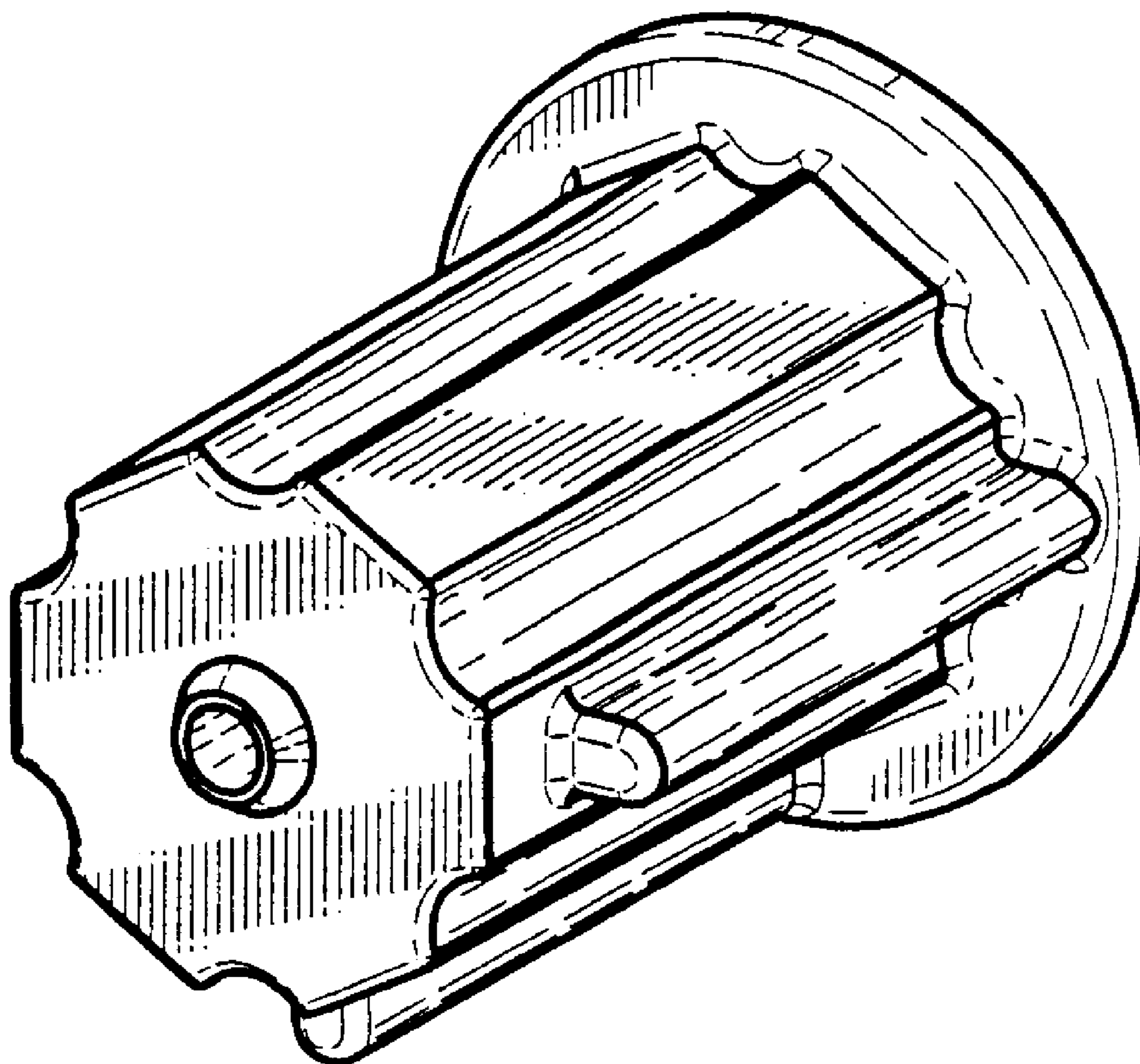
FIG. 1 is a perspective view of a nozzle for dispensing fluids showing my new design;
FIG. 2 is a front elevational view thereof;
FIG. 3 is a rear elevational view thereof;
FIG. 4 is a side elevational view thereof taken from the left of FIG. 1; and,
FIG. 5 is a top plan view thereof.

(56) **References Cited**

U.S. PATENT DOCUMENTS

3,198,442 A	8/1965	Brenner	239/599
D288,954 S	3/1987	McDermott et al.	D23/213
5,368,237 A	11/1994	Fulkerson	239/601
D366,051 S	1/1996	Lewis et al.	D23/213

1 Claim, 1 Drawing Sheet



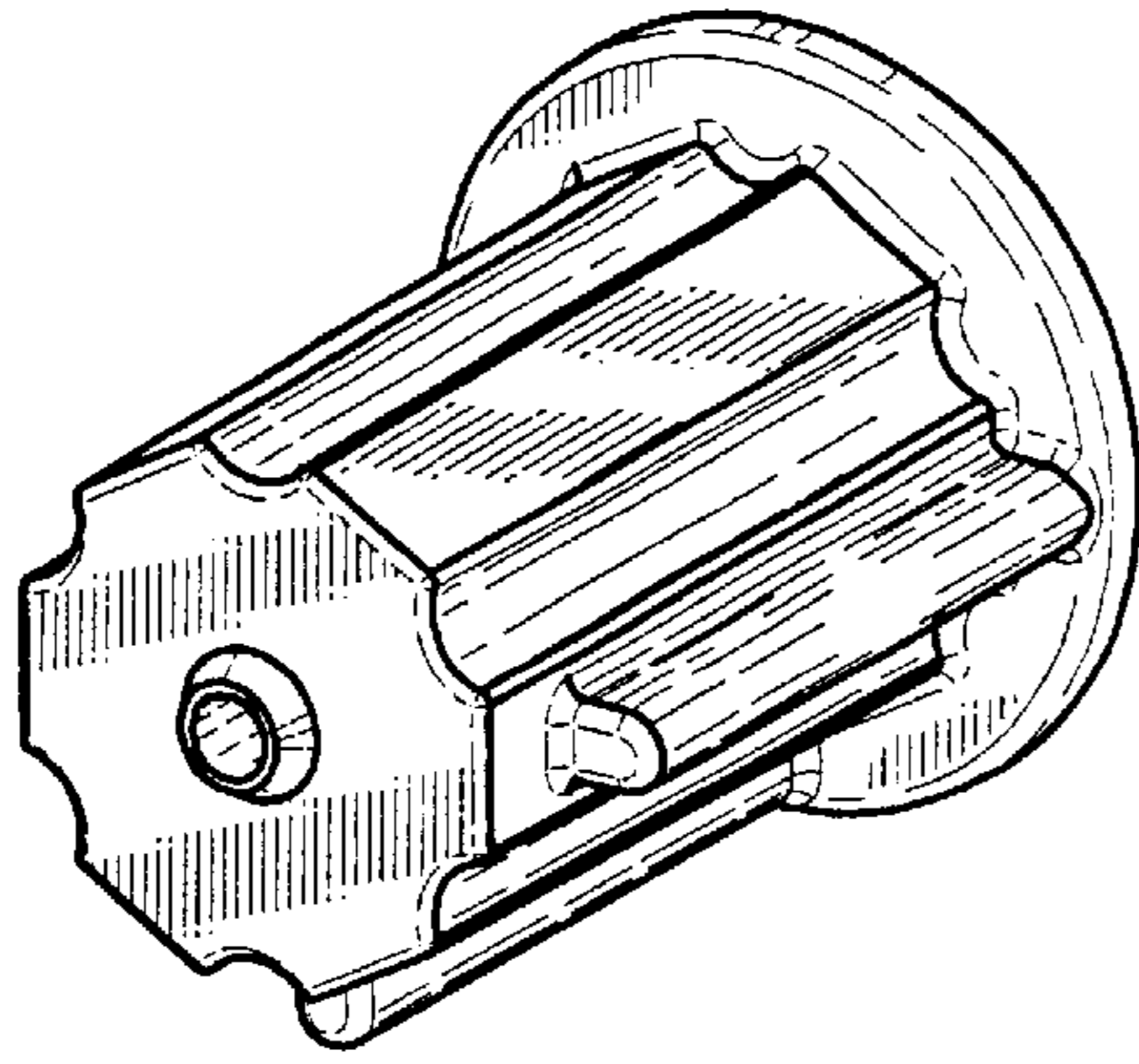


FIG-1

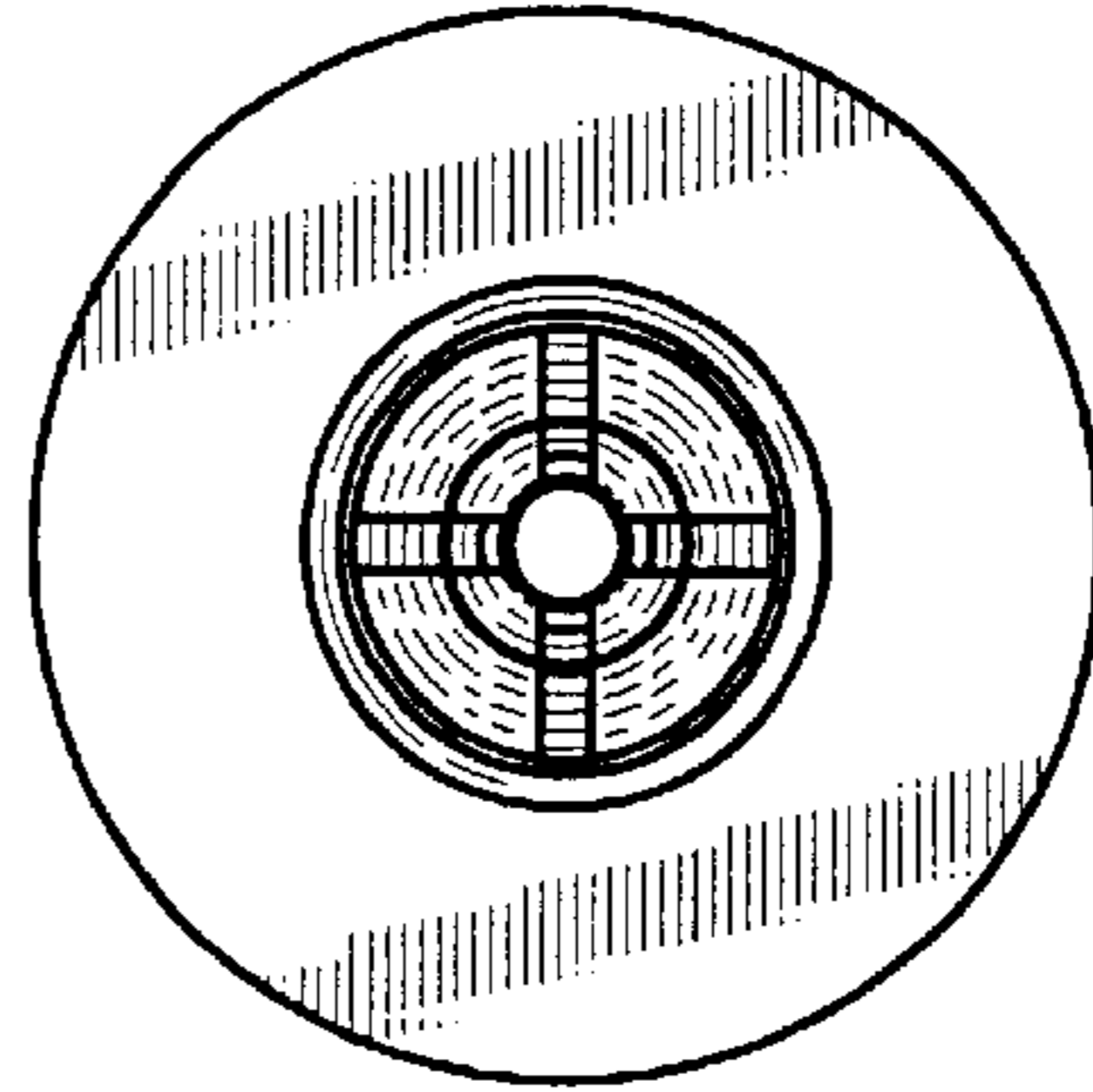


FIG 3

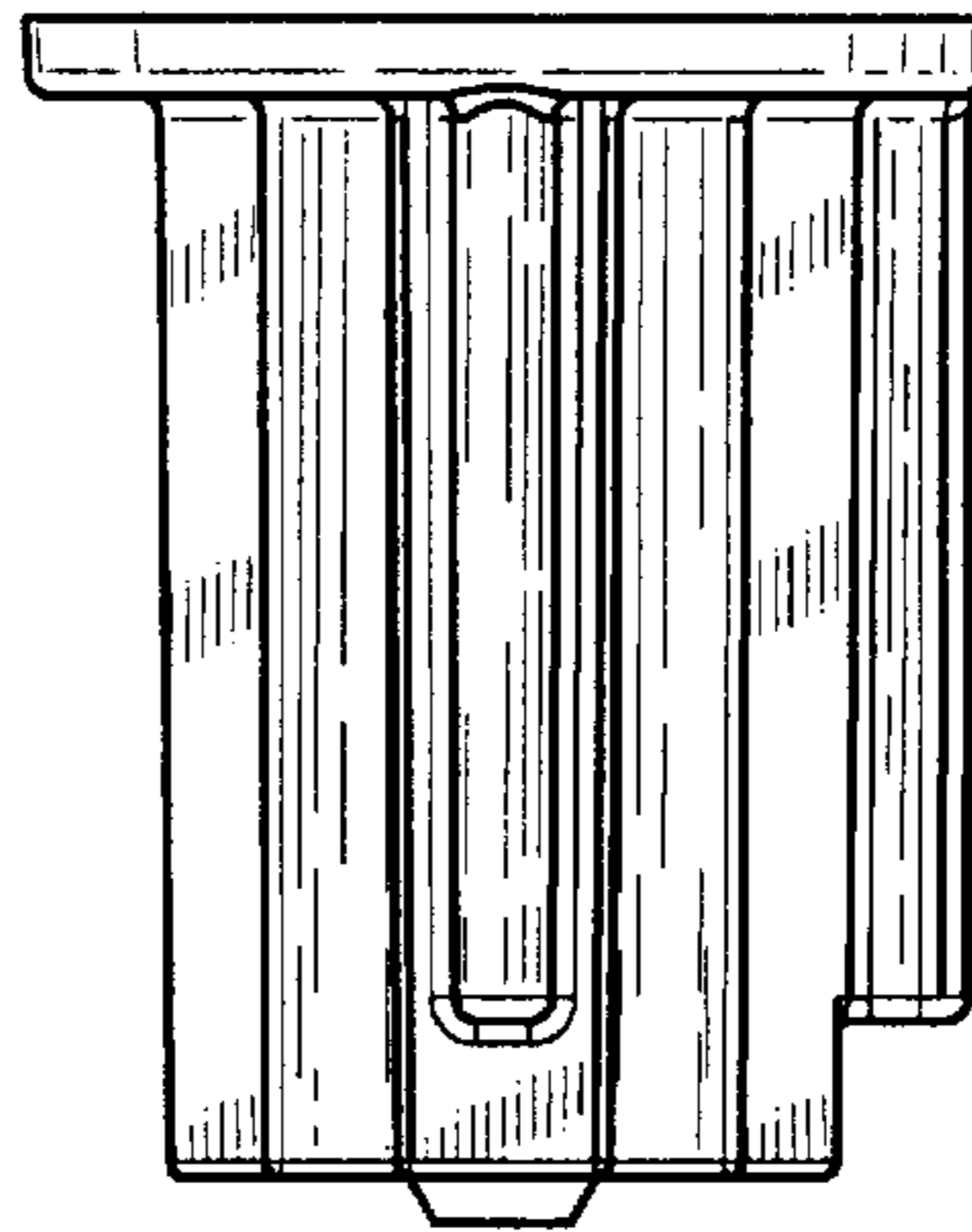


FIG 4

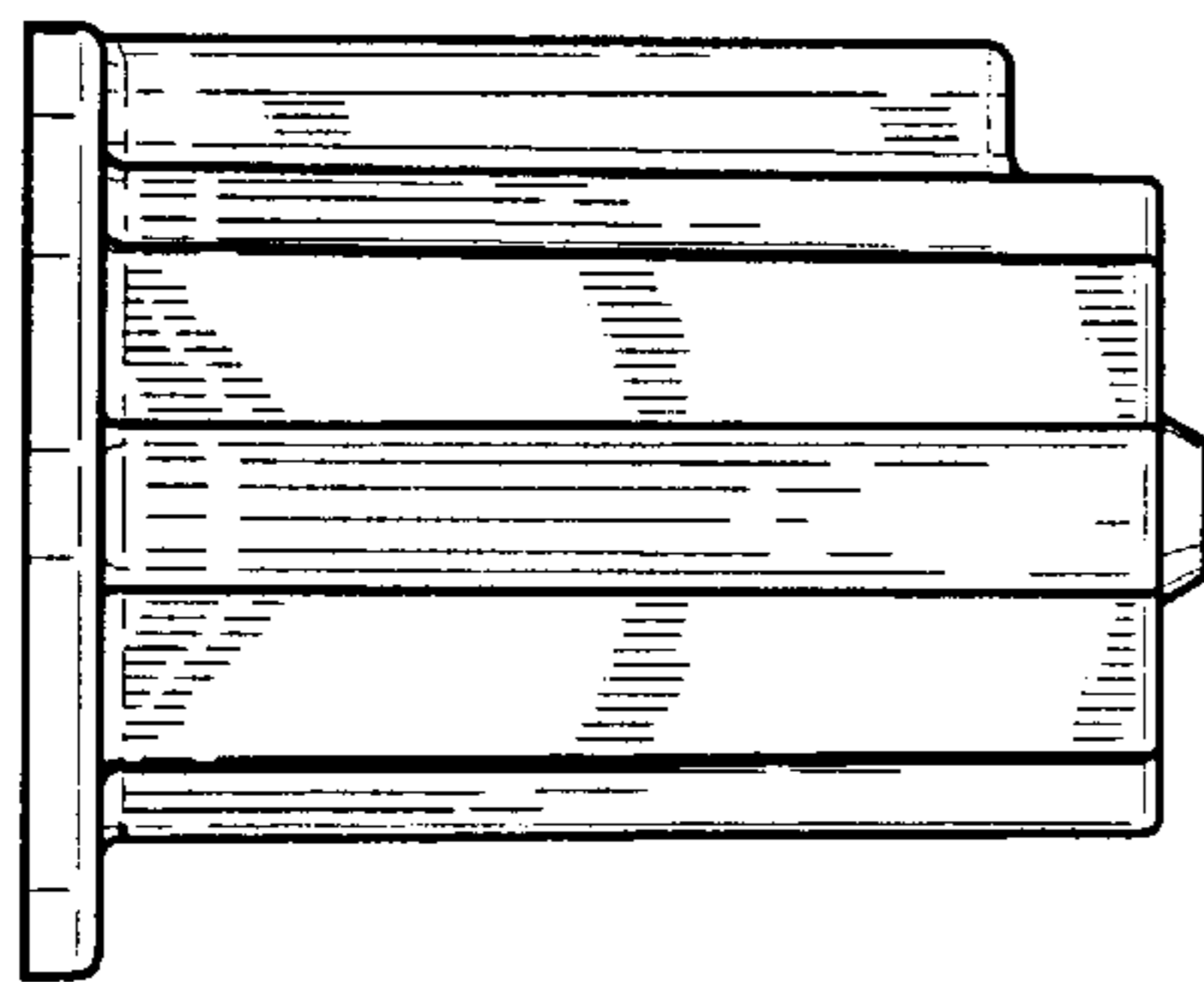


FIG 5

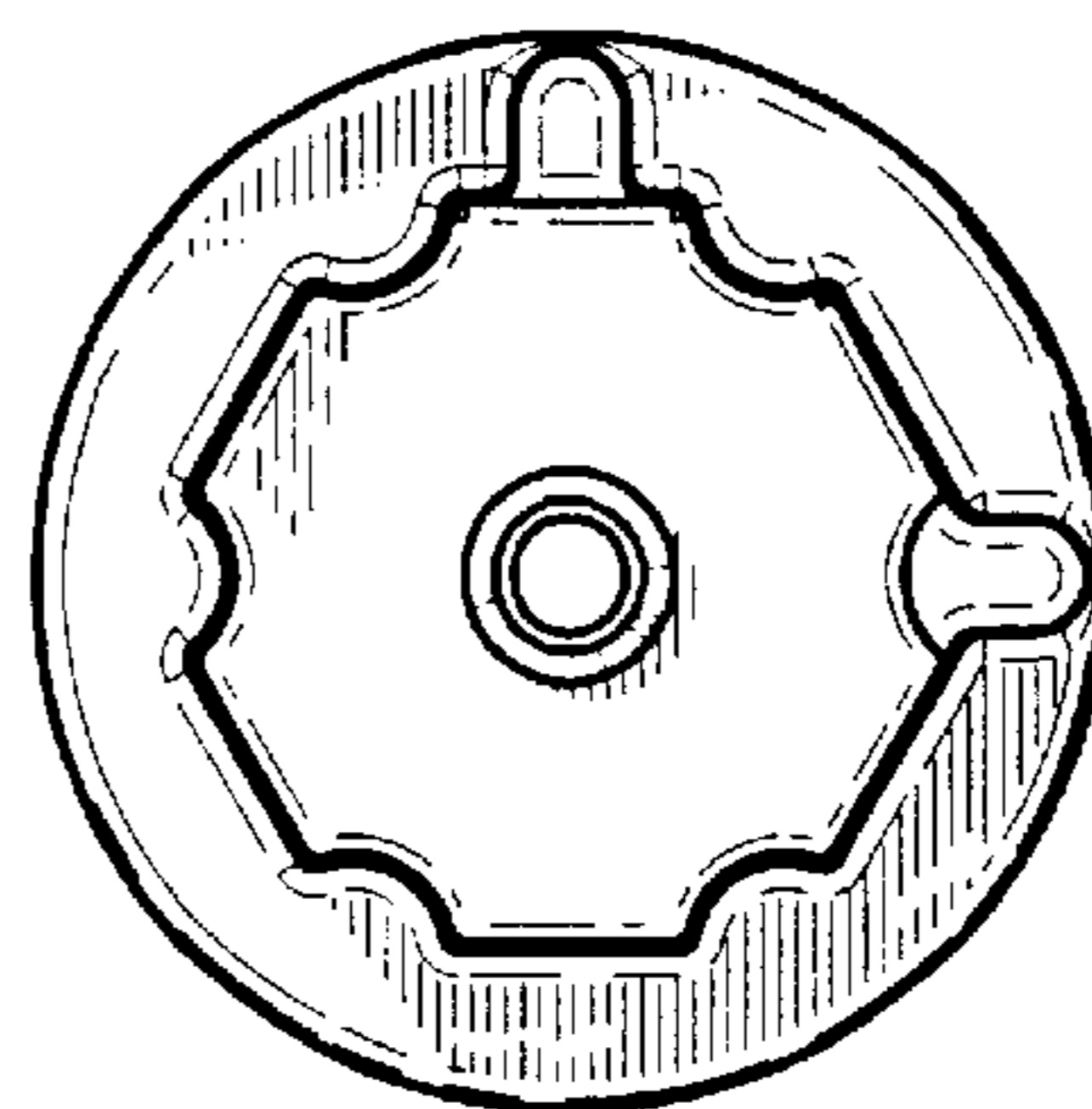


FIG 2