

US00D495386S1

(12) **United States Design Patent** (10) **Patent No.:** **US D495,386 S**  
**Bryant et al.** (45) **Date of Patent:** **\*\* Aug. 31, 2004**

(54) **GAME BALL**

6,461,461 B2 10/2002 Kennedy, III  
D478,641 S 8/2003 Kuehne

(75) Inventors: **William J. Bryant**, Johnston, RI (US);  
**Daniel Webb**, Cincinnati, OH (US)

**FOREIGN PATENT DOCUMENTS**

GB 2028666 A \* 3/1980 ..... A63B/41/00

(73) Assignee: **Hasbro, Inc.**, Pawtucket, RI (US)

**OTHER PUBLICATIONS**

(\*\*) Term: **14 Years**

Regent(R) "The Name In Games" undated advertising brochure, p. 23: item No. 71910.\*  
Hong Kong Toys Jan. 1998, p. 1665, item No. 6607.\*

(21) Appl. No.: **29/192,847**

\* cited by examiner

(22) Filed: **Oct. 30, 2003**

(51) **LOC (7) Cl.** ..... **21-02**

*Primary Examiner*—Philip S. Hyder

(52) **U.S. Cl.** ..... **D21/713**

*Assistant Examiner*—C. Tuttle

(58) **Field of Search** ..... D21/707–714;  
473/569–614, FOR 134, FOR 143, FOR 148,  
FOR 149, FOR 151, FOR 153, FOR 155

(74) *Attorney, Agent, or Firm*—Michael Best & Friedrich LLP

(56) **References Cited**

(57) **CLAIM**

**U.S. PATENT DOCUMENTS**

The ornamental design for a game ball, as shown and described.

D27,441 S	*	7/1897	Dunn	.....	D21/709
D29,949 S	*	1/1899	Barnes	.....	D21/708
1,672,174 A	*	6/1928	Ruedy	.....	473/598
RE17,248 E	*	3/1929	Carter	.....	473/610
D95,034 S	*	4/1935	Frederick	.....	D21/713
3,813,462 A		5/1974	Roberts		
D248,986 S	*	8/1978	Nakata	.....	D21/713
4,463,951 A		8/1984	Kumasaka et al.		
D306,470 S		3/1990	Norman et al.		
5,123,659 A		6/1992	Williams		
5,566,953 A	*	10/1996	Arriola et al.	.....	473/594
D379,389 S	*	5/1997	Shih	.....	D21/713
5,897,117 A	*	4/1999	Wei	.....	473/571
5,967,917 A	*	10/1999	Feeney et al.	.....	473/604
D446,267 S	*	8/2001	Feeney et al.	.....	D21/713

**DESCRIPTION**

FIG. 1 is a perspective view showing our new design for a game ball, the cross hatched pattern showing the texture being shown partially broken away in the various views for ease of illustration;  
FIG. 2 is a front elevation thereof;  
FIG. 3 is a right end view thereof;  
FIG. 4 is a top plan view thereof;  
FIG. 5 is a back elevation thereof;  
FIG. 6 is a left end view thereof; and,  
FIG. 7 is a bottom plan view thereof.

**1 Claim, 3 Drawing Sheets**

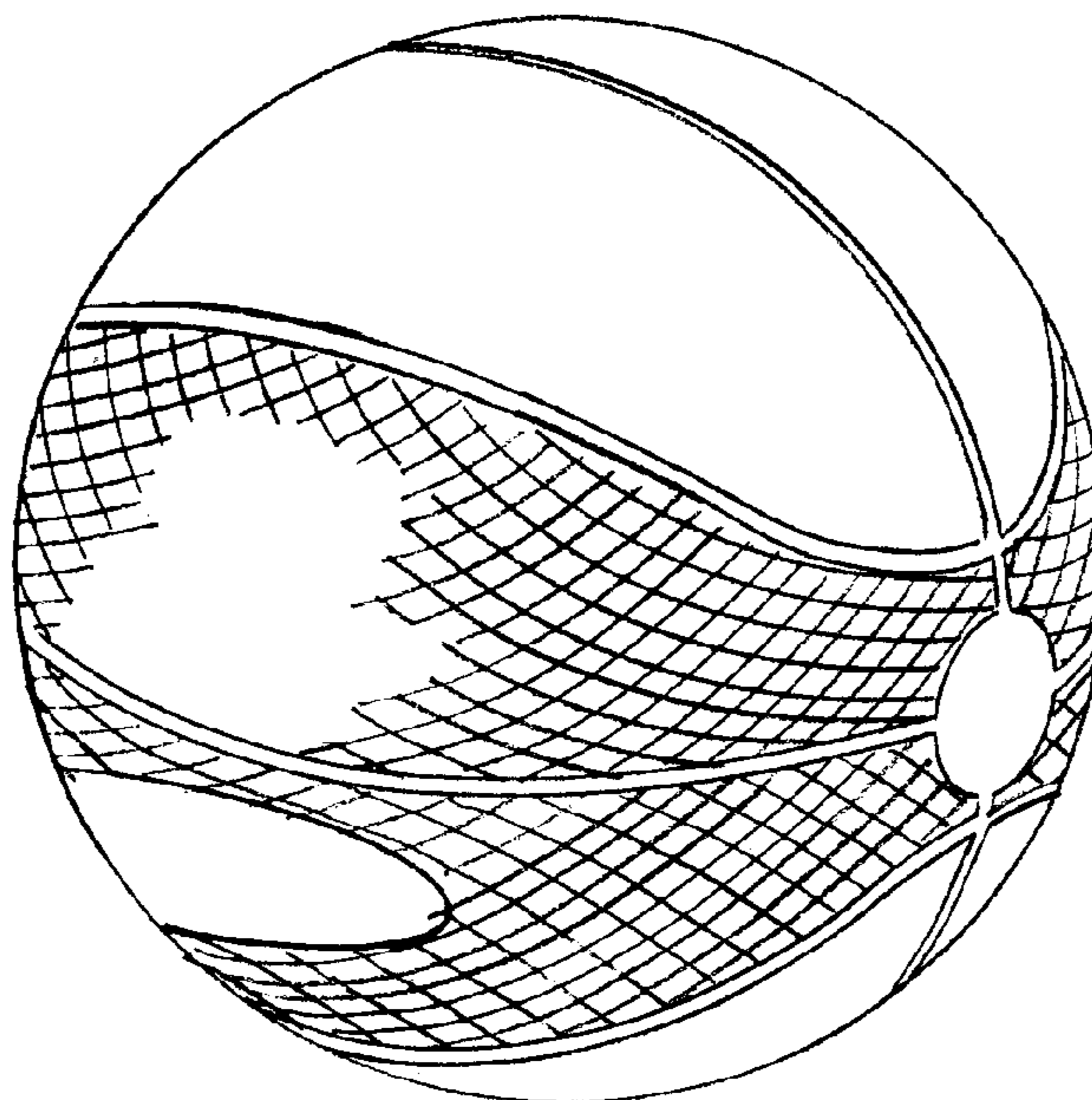


FIG. 1

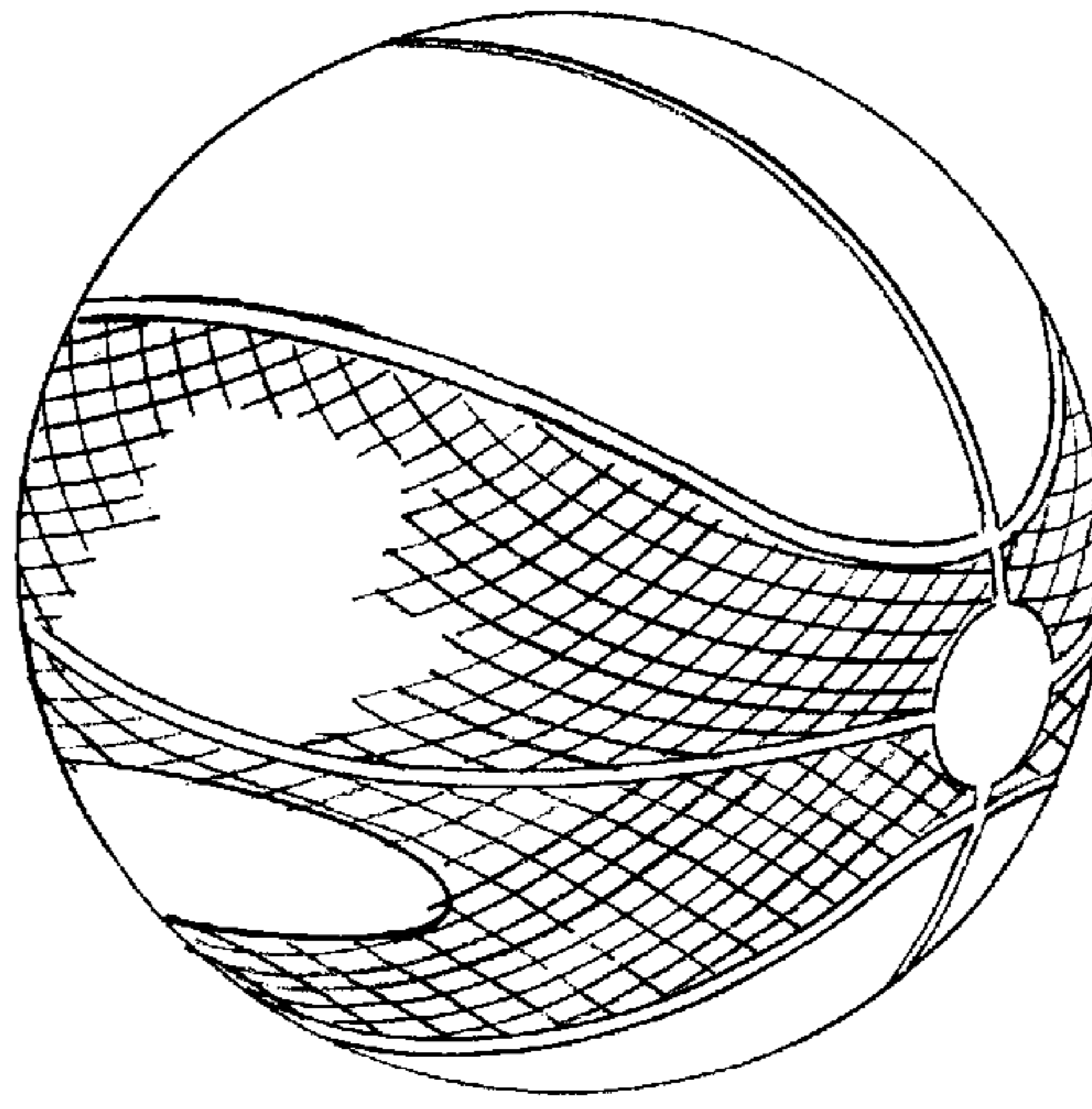


FIG. 2

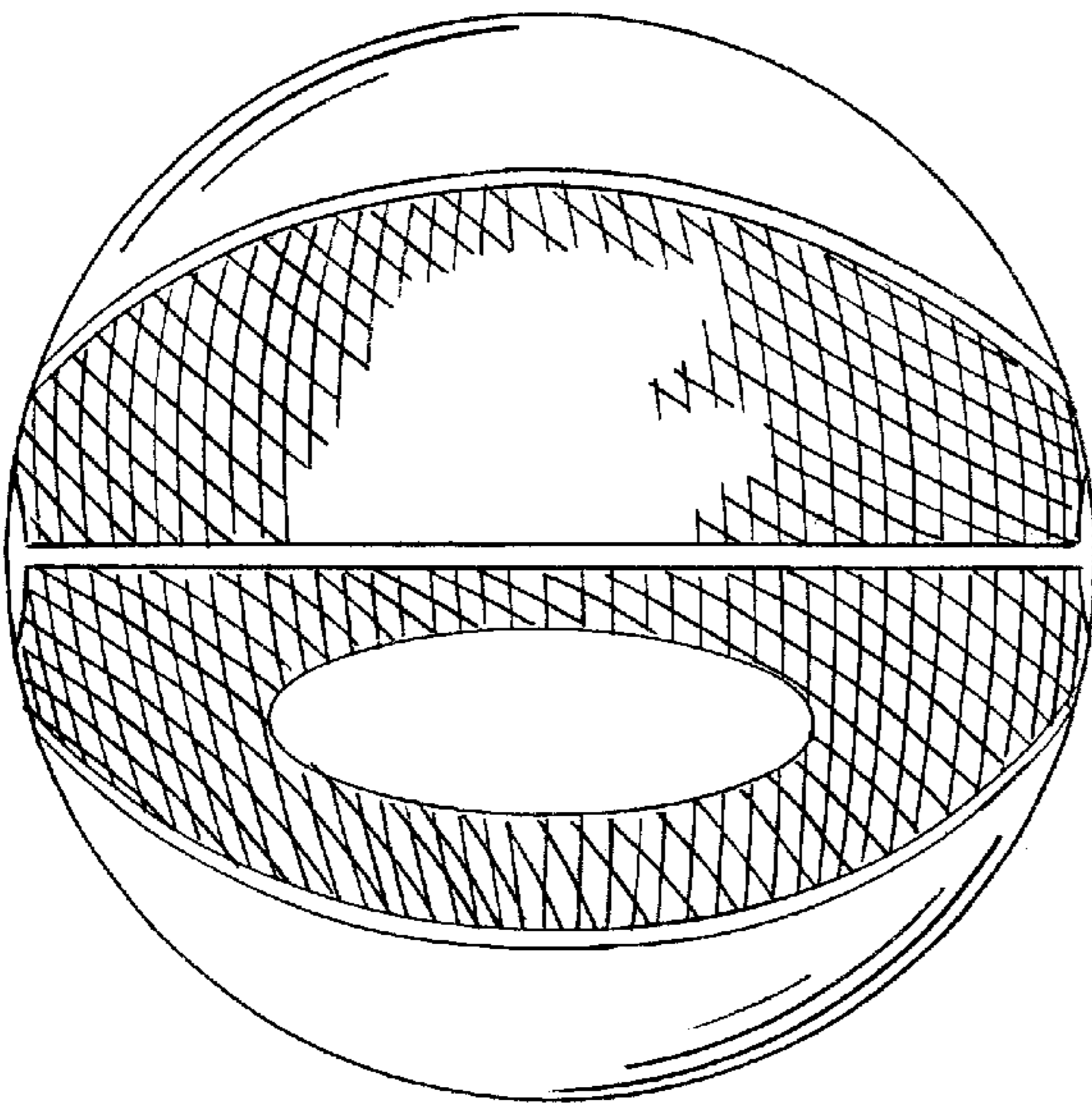


FIG. 3

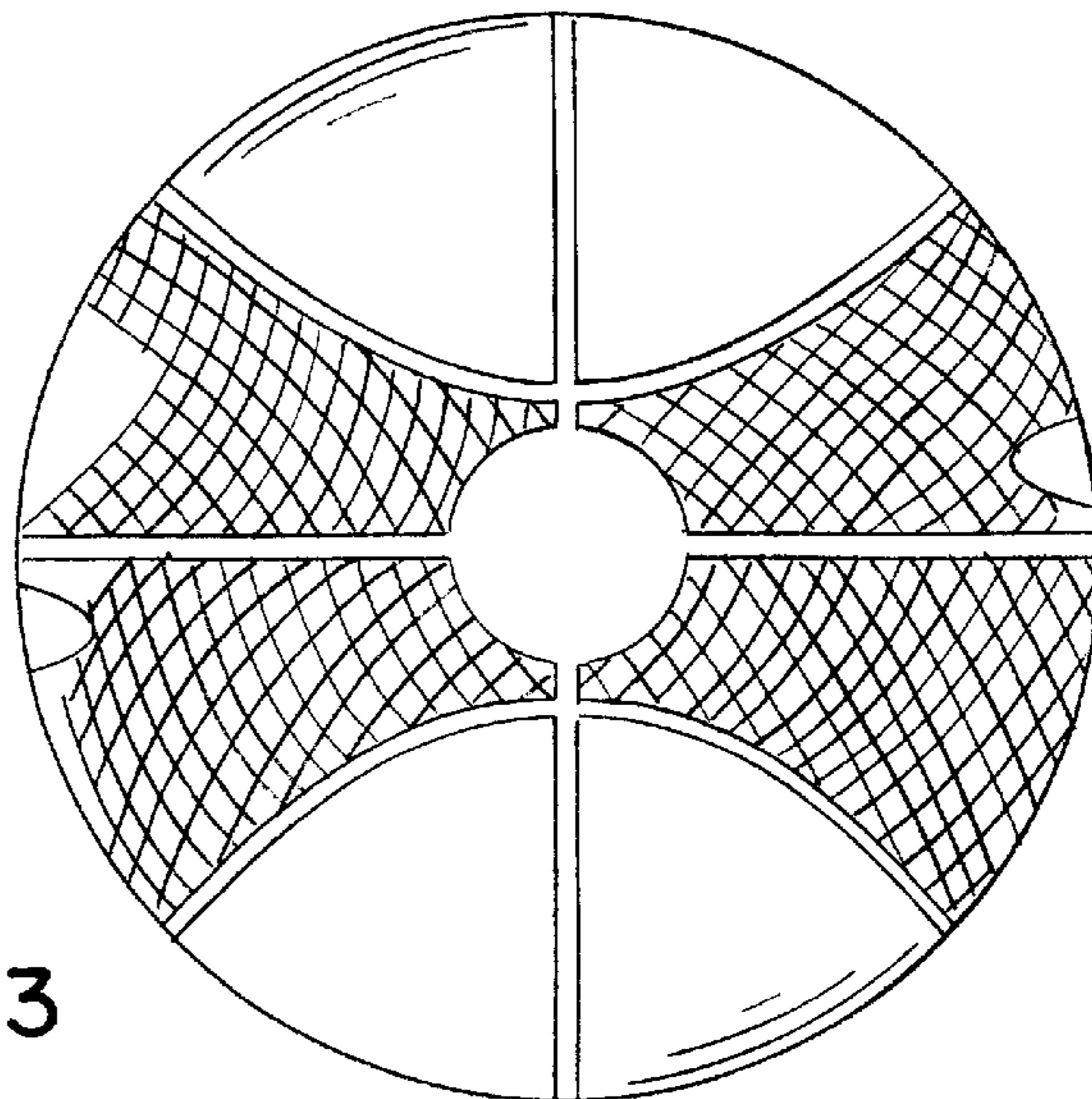




FIG. 4

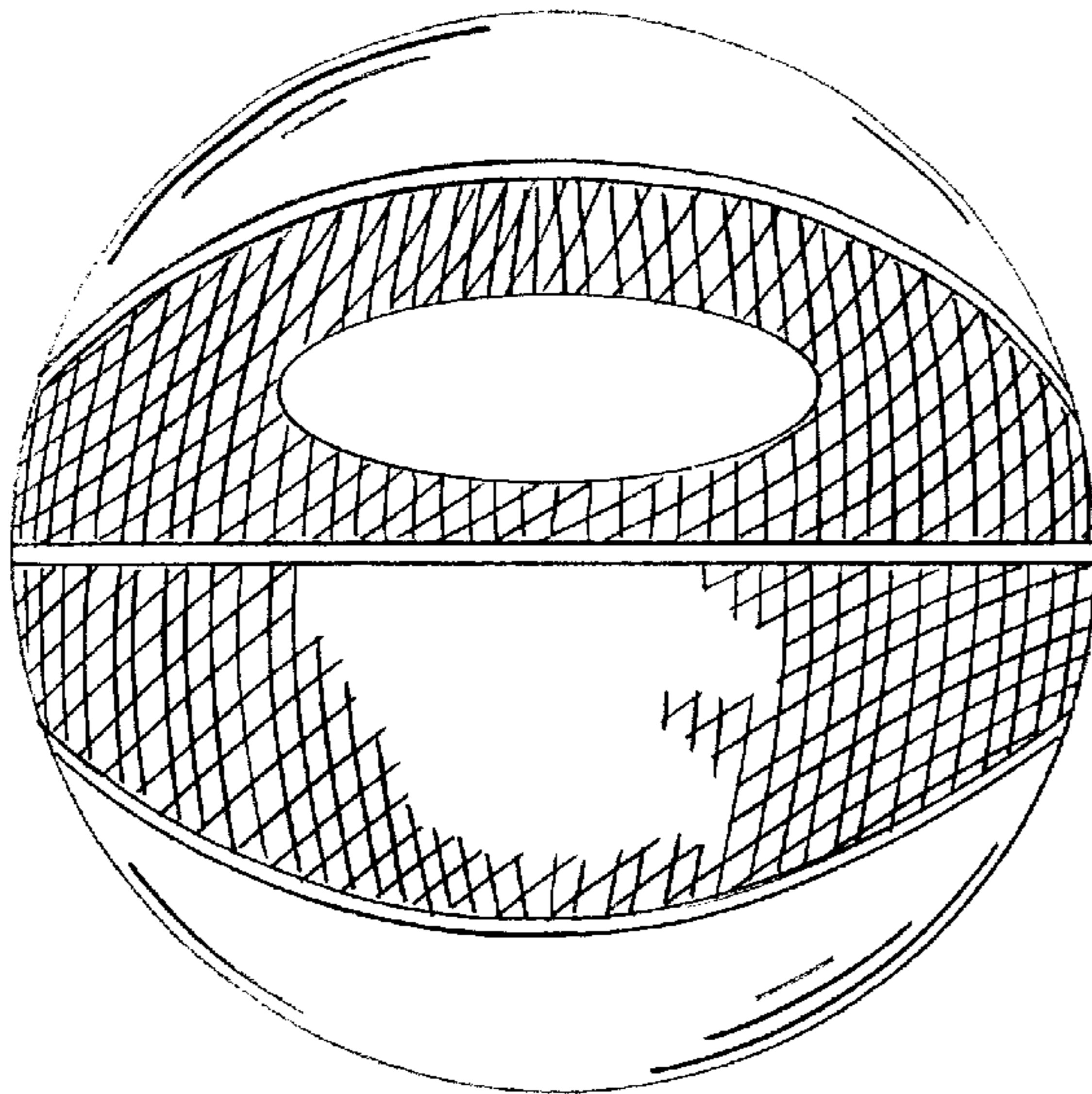
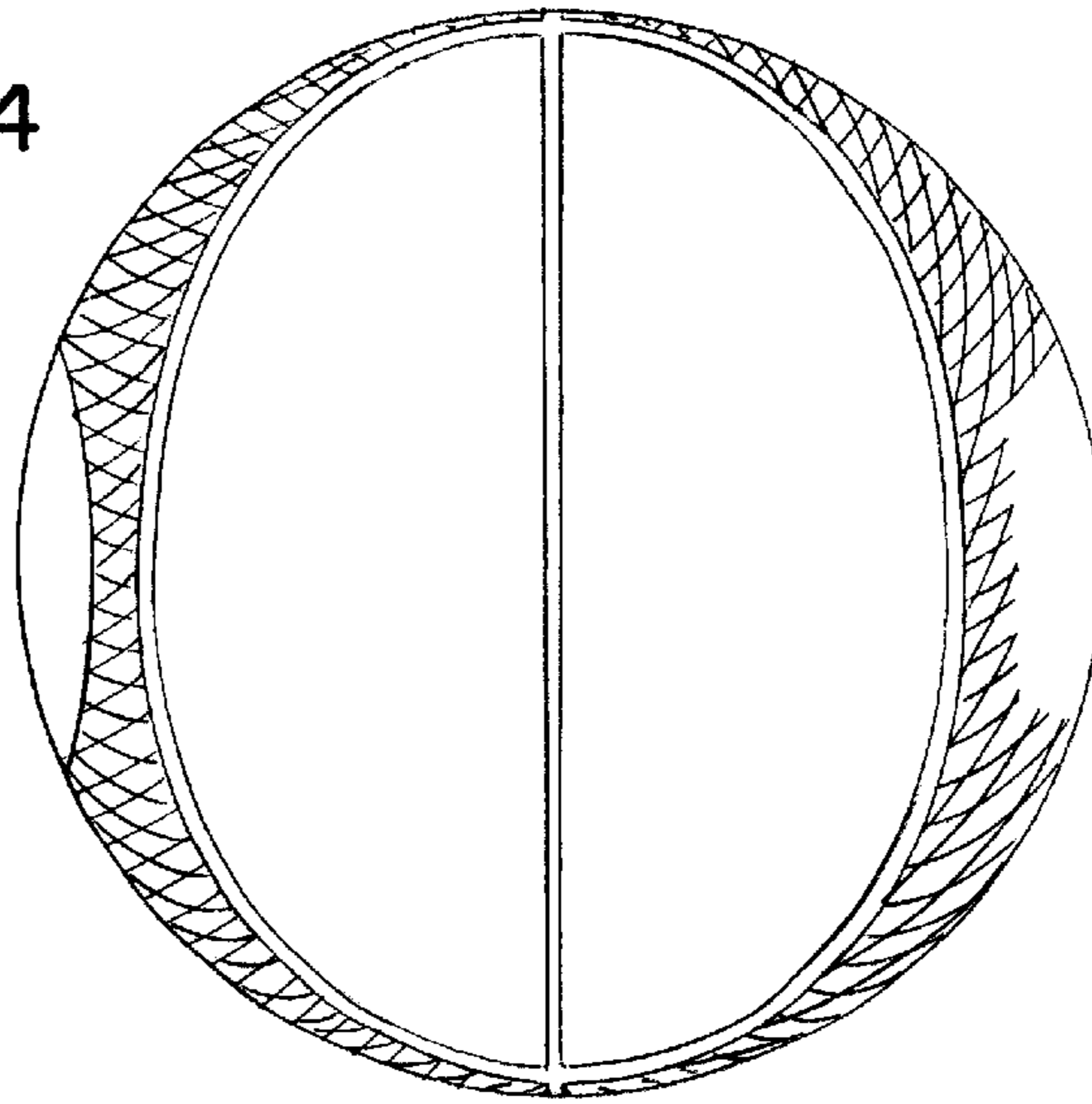


FIG. 5

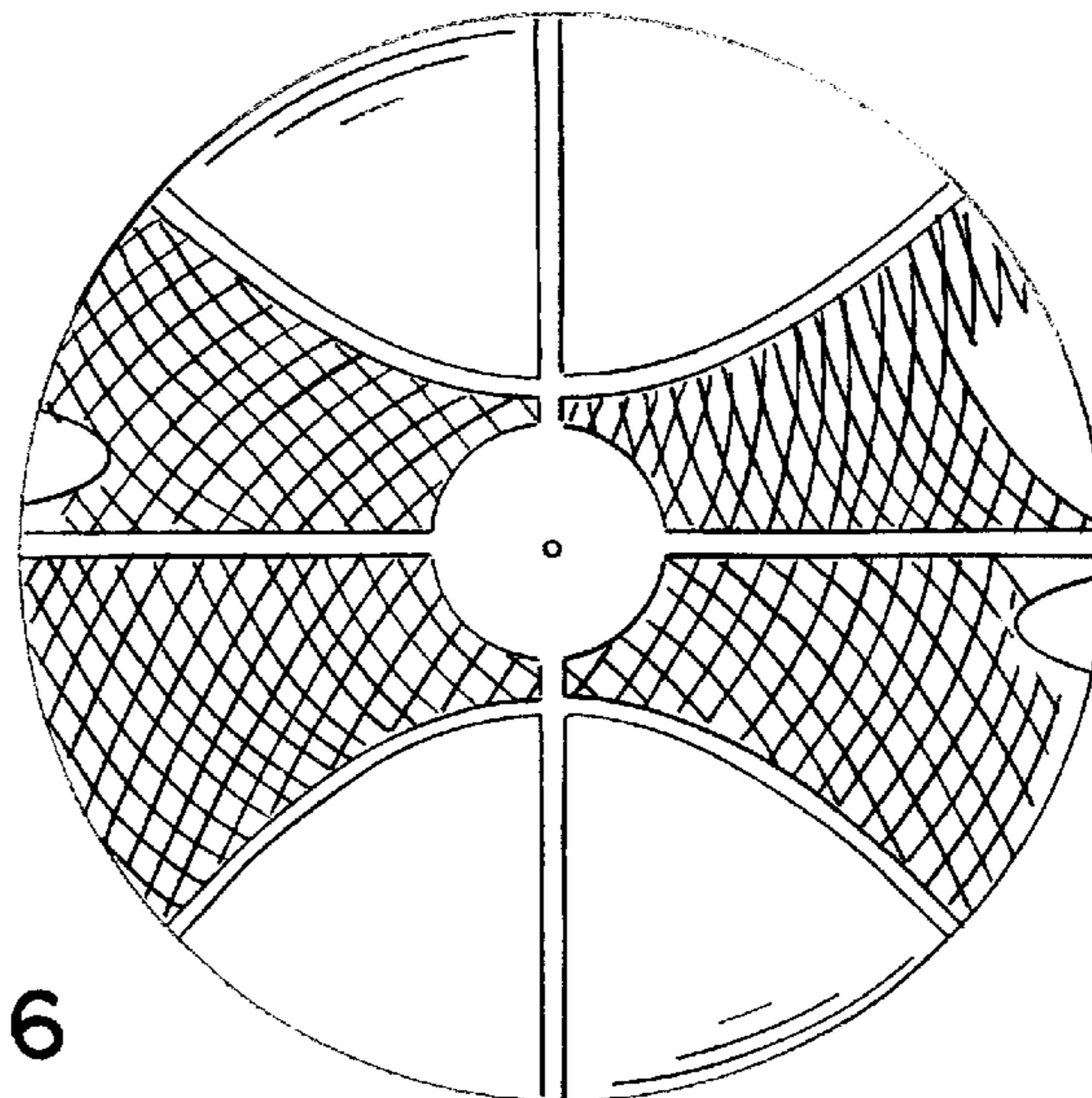


FIG. 6

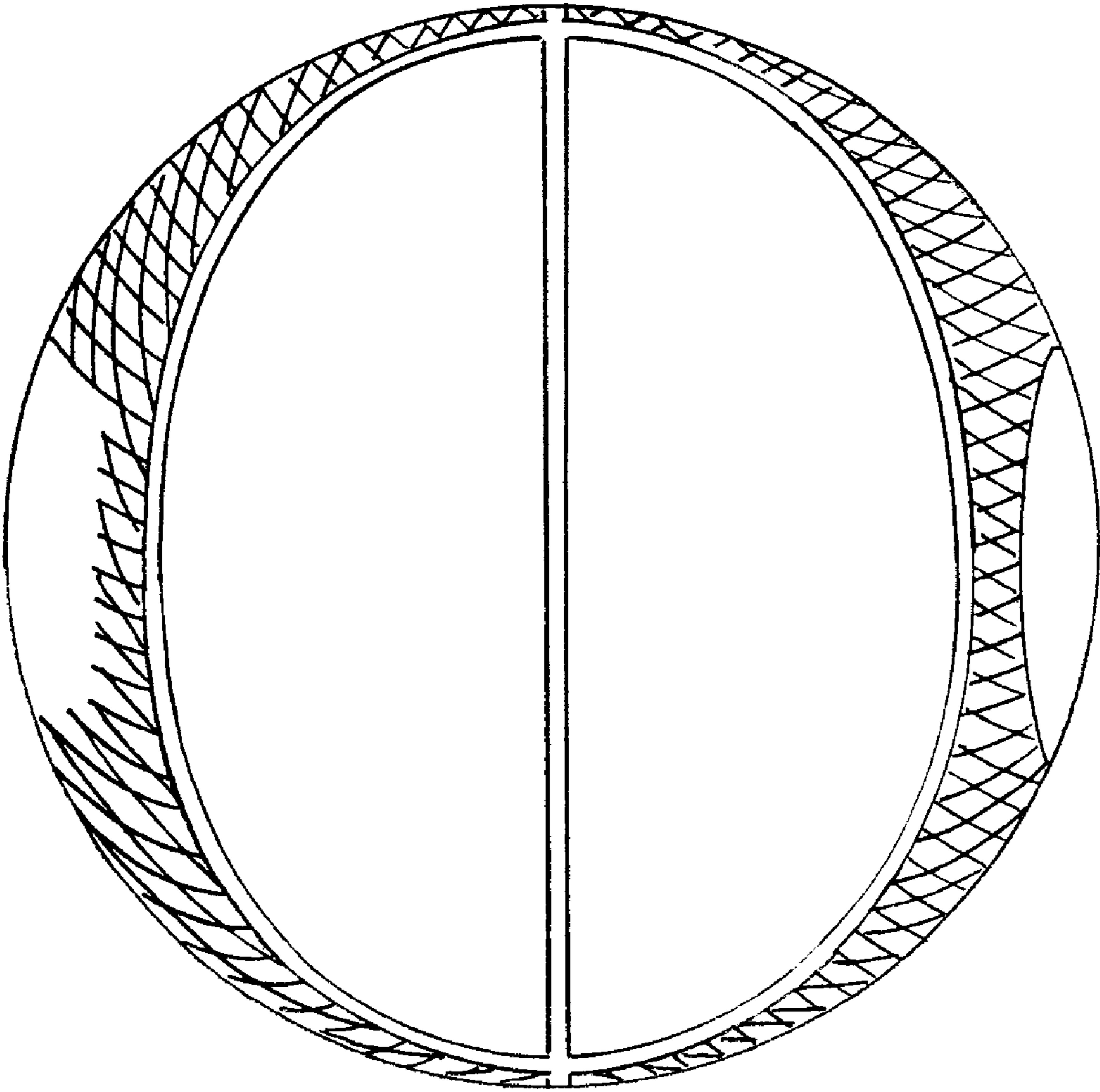


FIG. 7