

US00D495384S1

(12) **United States Design Patent** (10) **Patent No.:** **US D495,384 S**
Rolfes (45) **Date of Patent:** **** Aug. 31, 2004**

(54) **EXERCISE APPARATUS**

(76) Inventor: **Bernhard Rolfes**, Breddenberger Str.
13, 26901 Lorup (DE)

(**) Term: **14 Years**

(21) Appl. No.: **29/169,319**

(22) Filed: **Oct. 17, 2002**

(30) **Foreign Application Priority Data**

Apr. 18, 2002	(DE)	4 02 03 427
Aug. 9, 2002	(DE)	4 02 06 662

(51) **LOC (7) Cl.** **21-02**

(52) **U.S. Cl.** **D21/697; D21/694; D21/662**

(58) **Field of Search** D21/663, 668,
D21/670, 694, 697; 482/51, 52, 53, 55,
57, 111; 601/23

(56) **References Cited**

U.S. PATENT DOCUMENTS

4,759,544	A *	7/1988	Diaz	482/111
5,133,339	A *	7/1992	Whalen et al.	601/23
5,316,532	A *	5/1994	Butler	482/111
5,554,091	A *	9/1996	Patey	482/111

* cited by examiner

Primary Examiner—Philip S. Hyder
(74) *Attorney, Agent, or Firm*—Price, Heneveld, Cooper,
DeWitt & Litton, LLP.

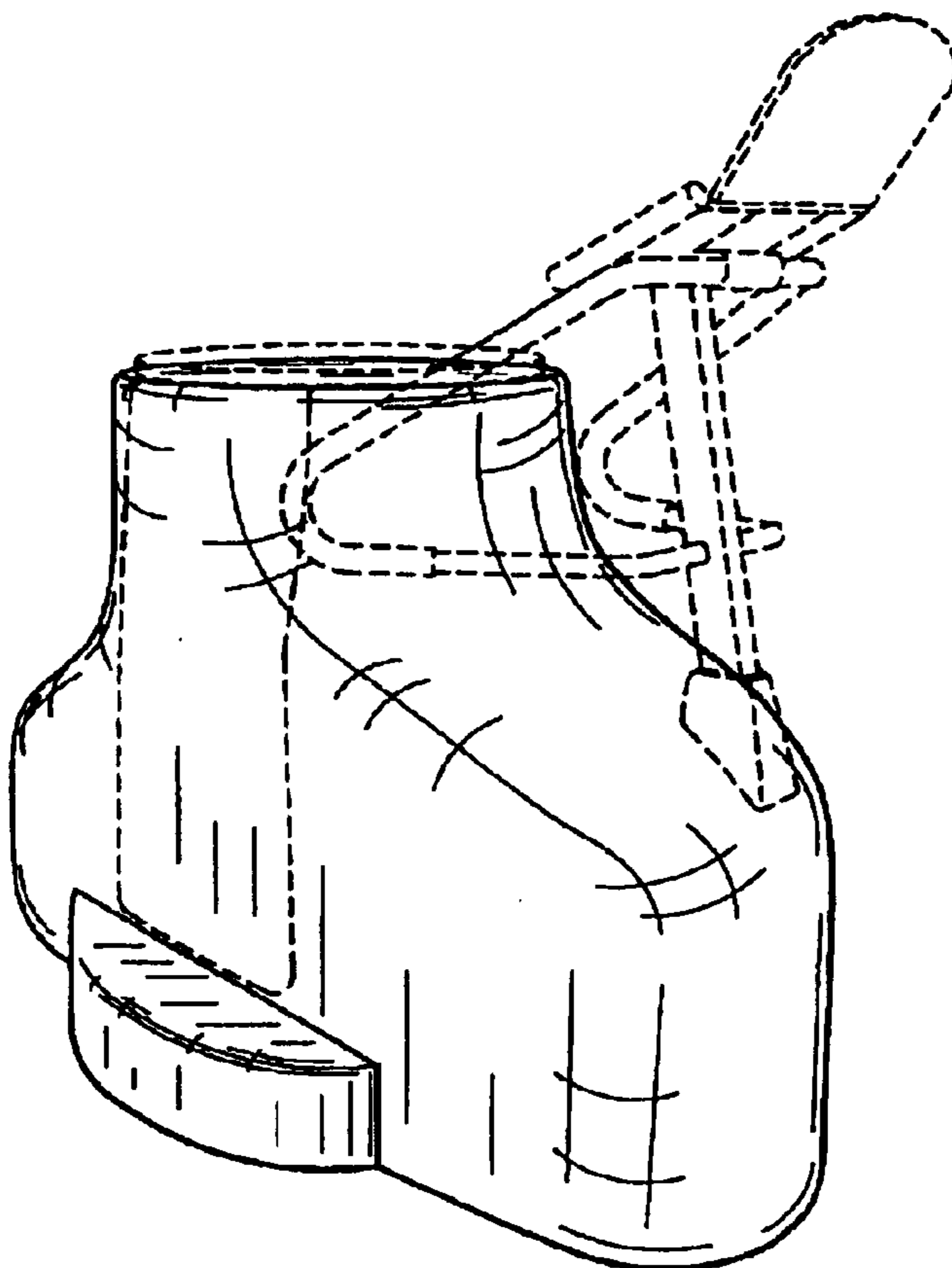
(57) **CLAIM**

I claim the ornamental design for an exercise apparatus, as shown.

DESCRIPTION

FIG. 1 is a perspective view showing the front, top, and side of the exercise apparatus of the present invention;
 FIG. 2 is an elevational view of a first side of the exercise apparatus of the present invention;
 FIG. 3 is an elevational view of the rear of the exercise apparatus of the present invention;
 FIG. 4 is an elevational view of a second side of the exercise apparatus of the present invention;
 FIG. 5 is an elevational view of the front of the exercise apparatus of the present inventions;
 FIG. 6 is a plan view of the top of the exercise apparatus of the present invention; and,
 FIG. 7 is a plan view of the bottom of the exercise apparatus of the present invention.
 The broken line portions of the disclosure are for illustrative purposes only and form no part of the claimed design.

1 Claim, 3 Drawing Sheets



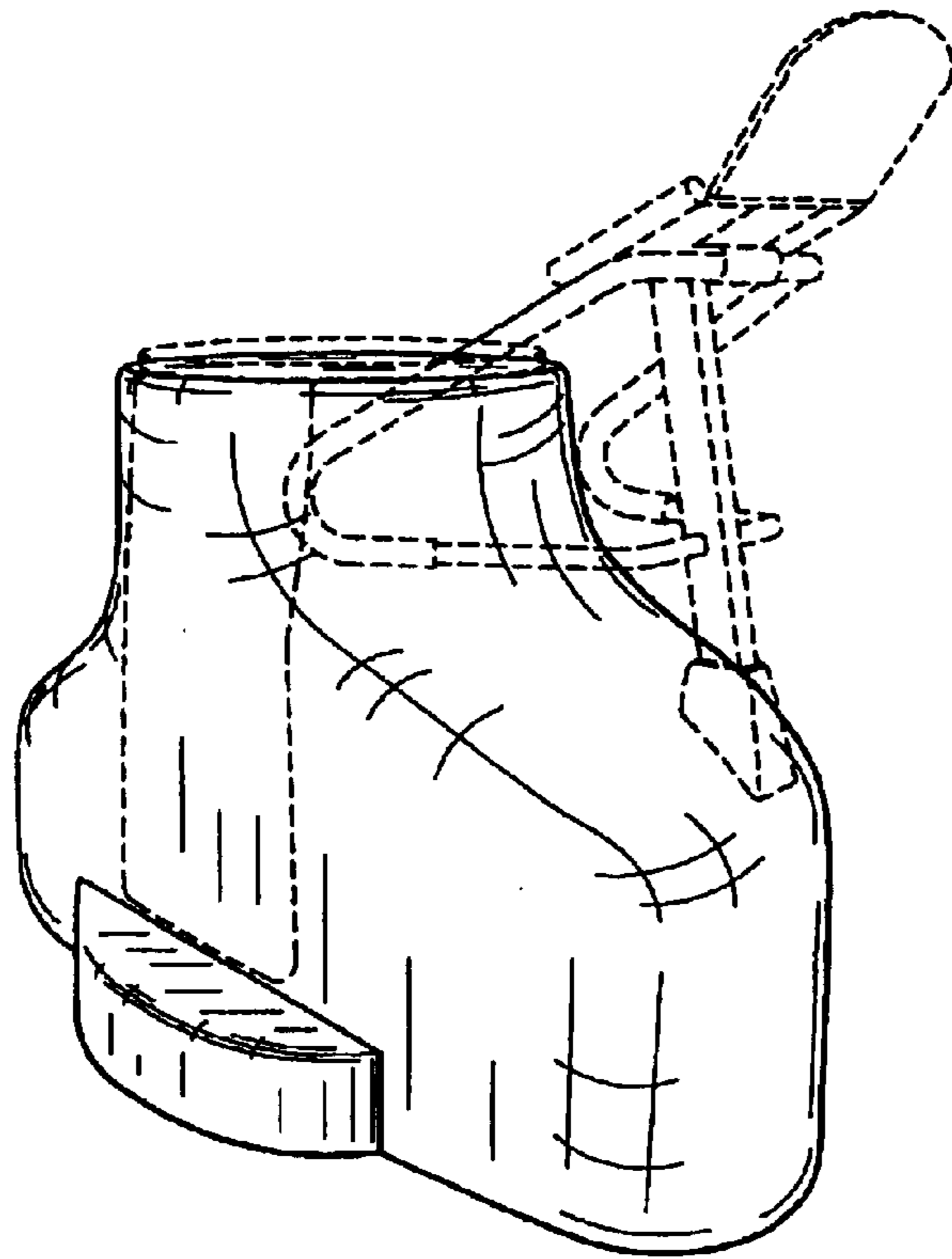


FIG. 1

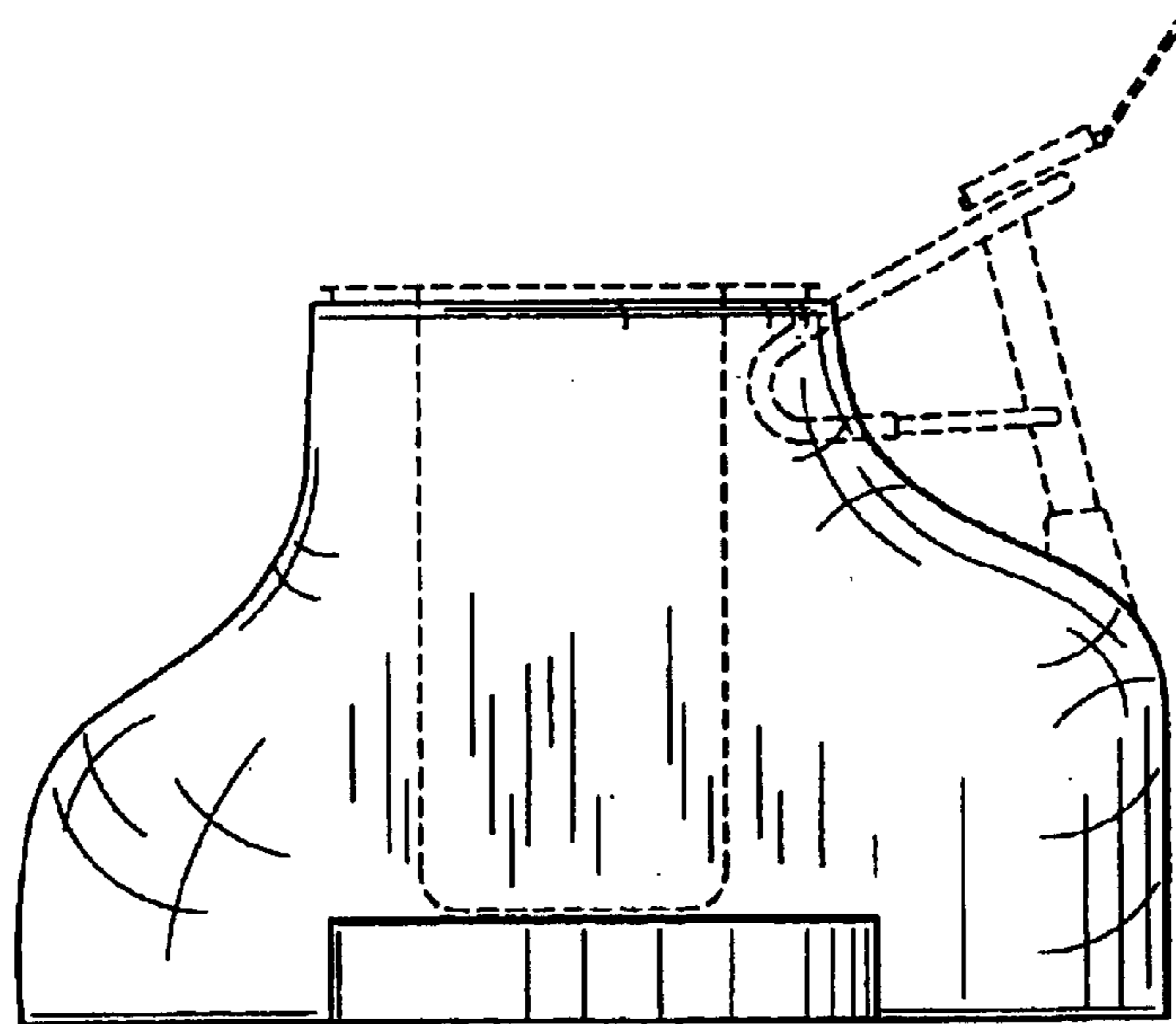


FIG. 2

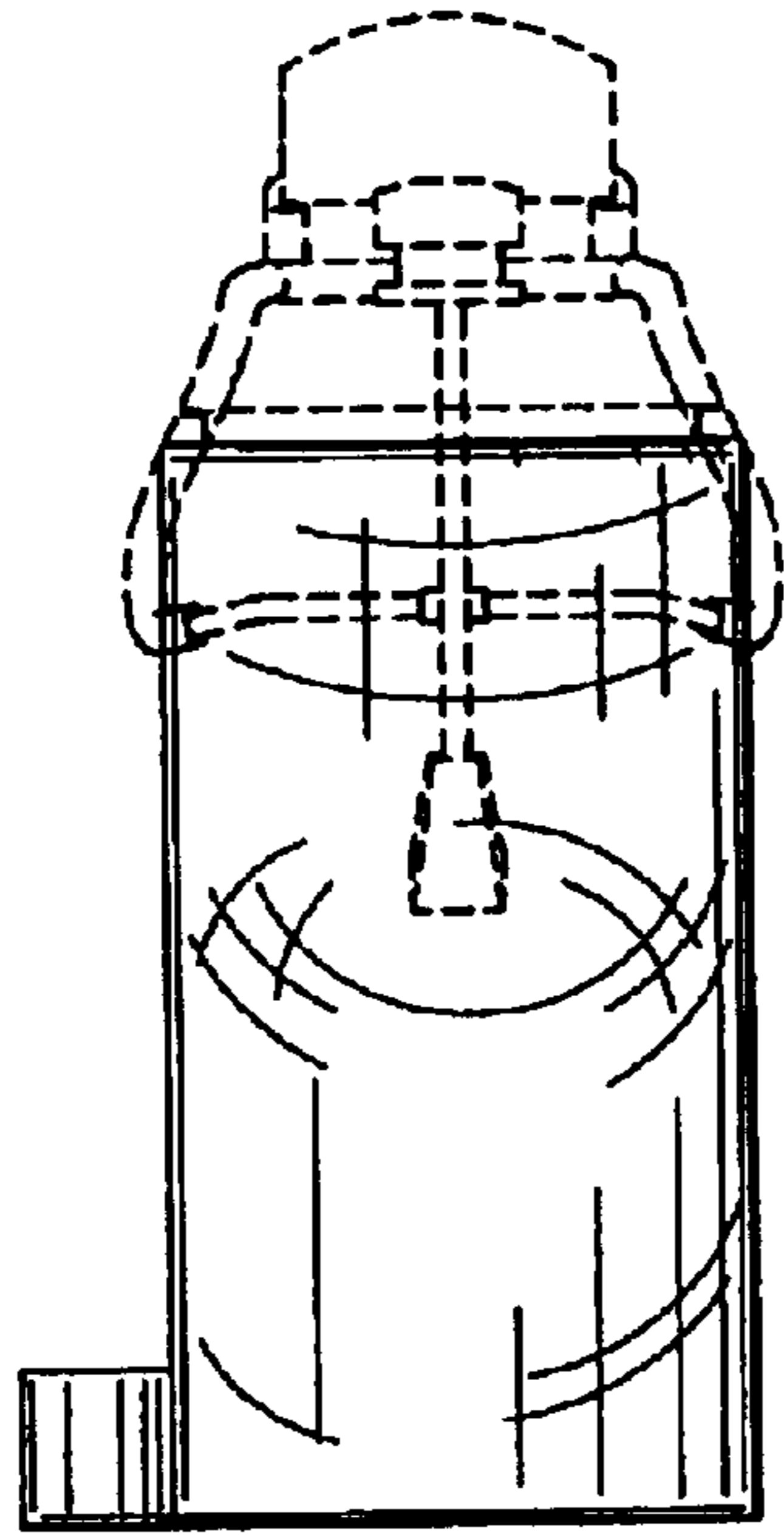


FIG. 3

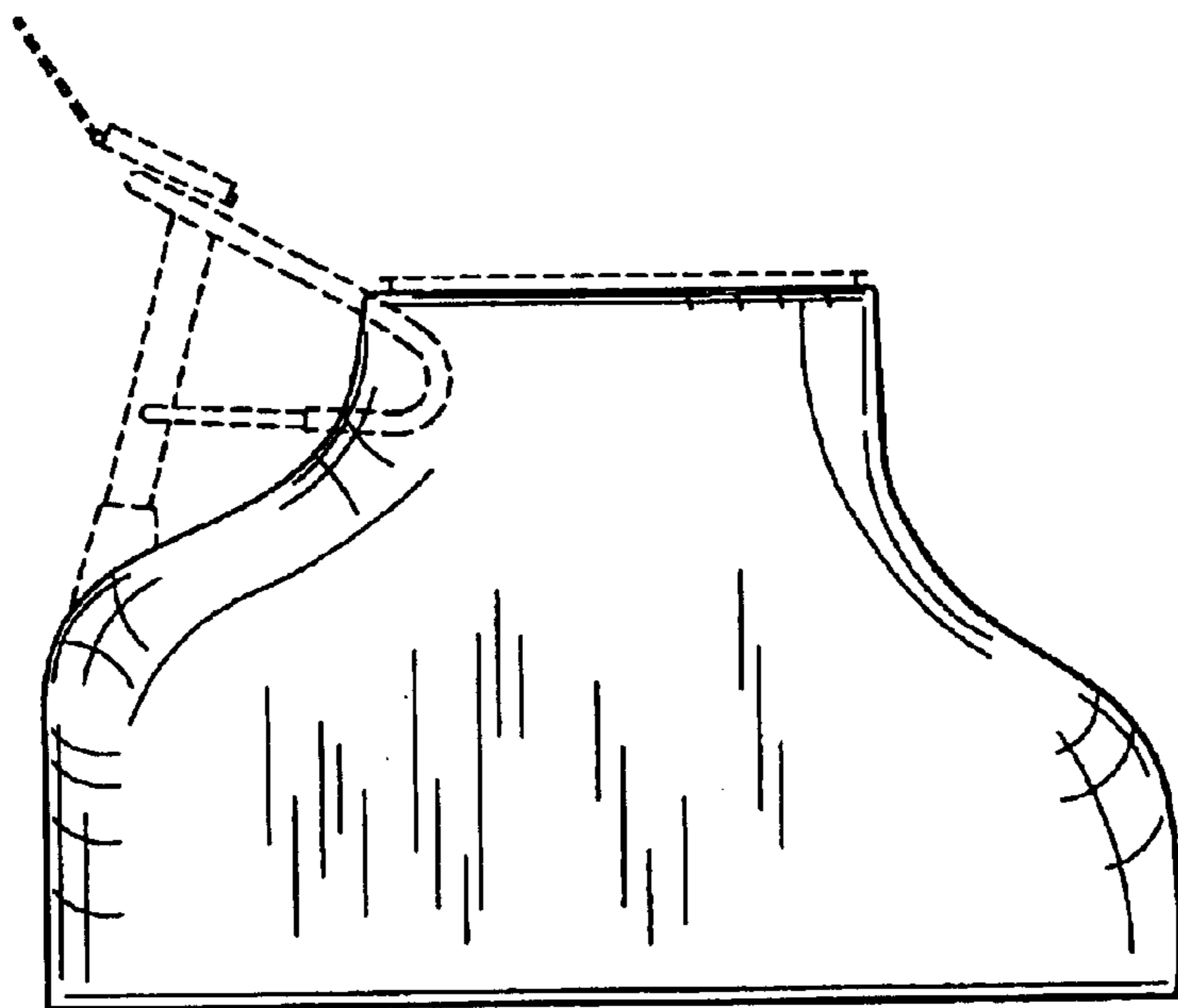


FIG. 4

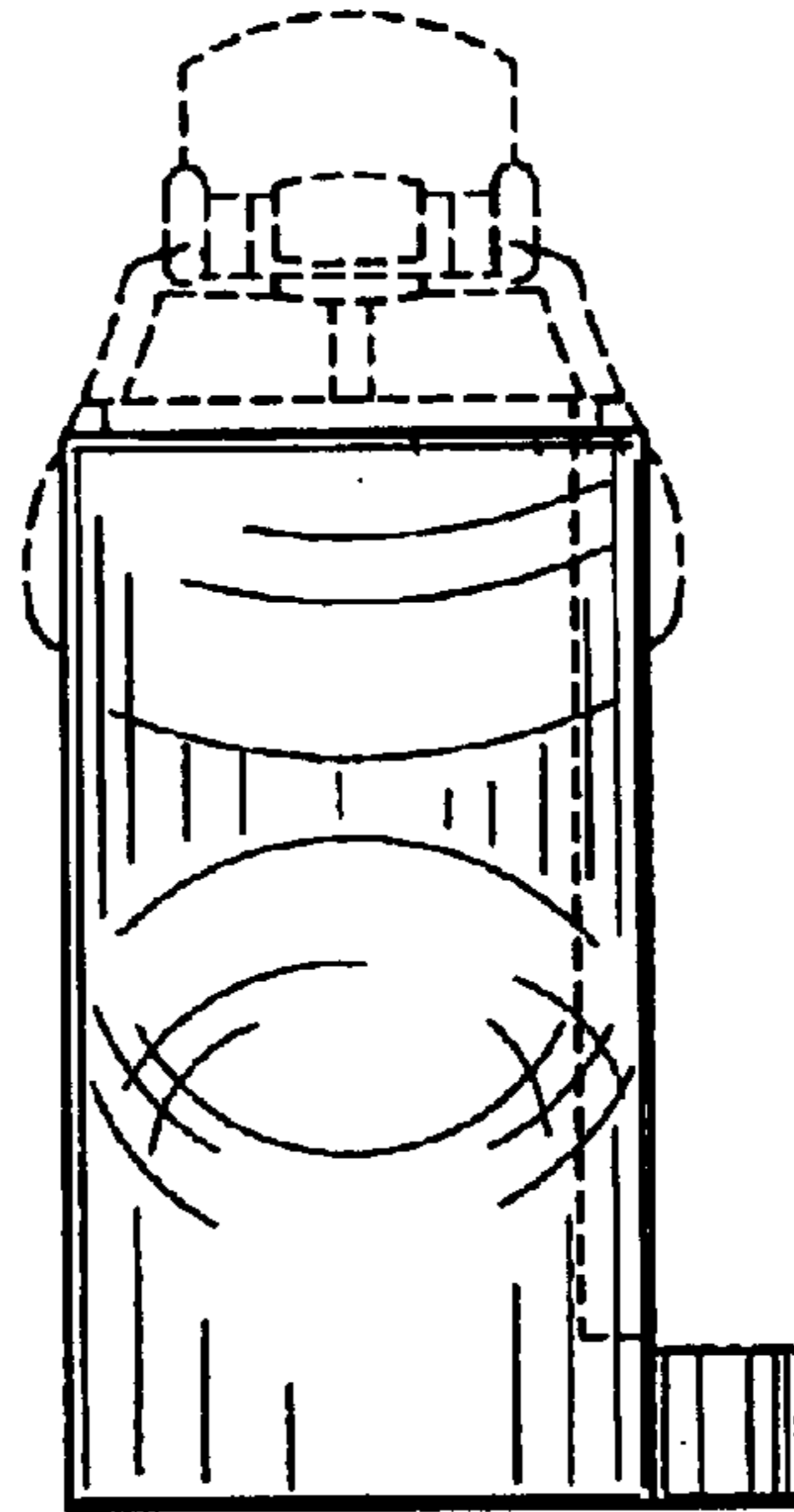


FIG. 5

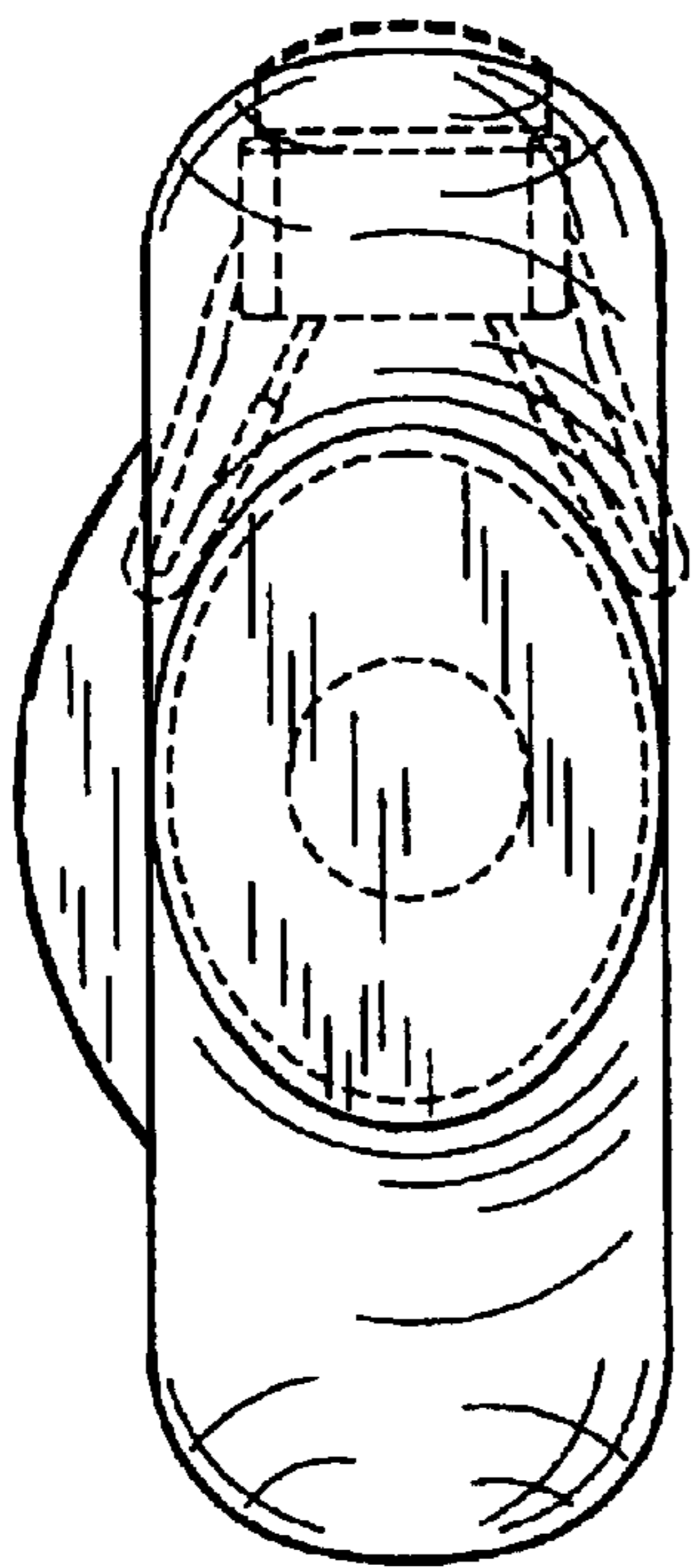


FIG. 6



FIG. 7