

US00D495383S1

(12) **United States Design Patent**  
**Ceppo**

(10) **Patent No.:** **US D495,383 S**

(45) **Date of Patent:** **\*\* Aug. 31, 2004**

(54) **ADJUSTABLE DUMBBELL HOLDER STAND**

D441,813 S \* 5/2001 Ceppo ..... D21/686  
D443,660 S \* 6/2001 Ceppo ..... D21/686

(76) Inventor: **Louis Ceppo**, 5853 Parkwalk Dr.,  
Boynton Beach, FL (US) 33437

\* cited by examiner

(\*\*) Term: **14 Years**

*Primary Examiner*—Philip S. Hyder

(74) *Attorney, Agent, or Firm*—McHale & Slavin, P.A.

(21) Appl. No.: **29/188,265**

(57) **CLAIM**

(22) Filed: **Aug. 14, 2003**

The ornamental design for an adjustable dumbbell holder stand, as shown and described.

(51) **LOC (7) Cl.** ..... **21-02**

(52) **U.S. Cl.** ..... **D21/686**

(58) **Field of Search** ..... D21/662, 676,  
D21/686, 691, 694; D34/31; 482/93, 94,  
104, 139, 148

**DESCRIPTION**

FIG. 1 is a perspective view of the adjustable dumbbell holder stand with a dumbbell;

FIG. 2 is a perspective view of the adjustable dumbbell holder stand;

FIG. 3 is a rear elevation view thereof;

FIG. 4 is a left side elevation view thereof;

FIG. 5 is a right side elevation view thereof;

FIG. 6 is a front elevation view thereof;

FIG. 7 is a top plan view thereof; and,

FIG. 8 is a bottom plan view thereof.

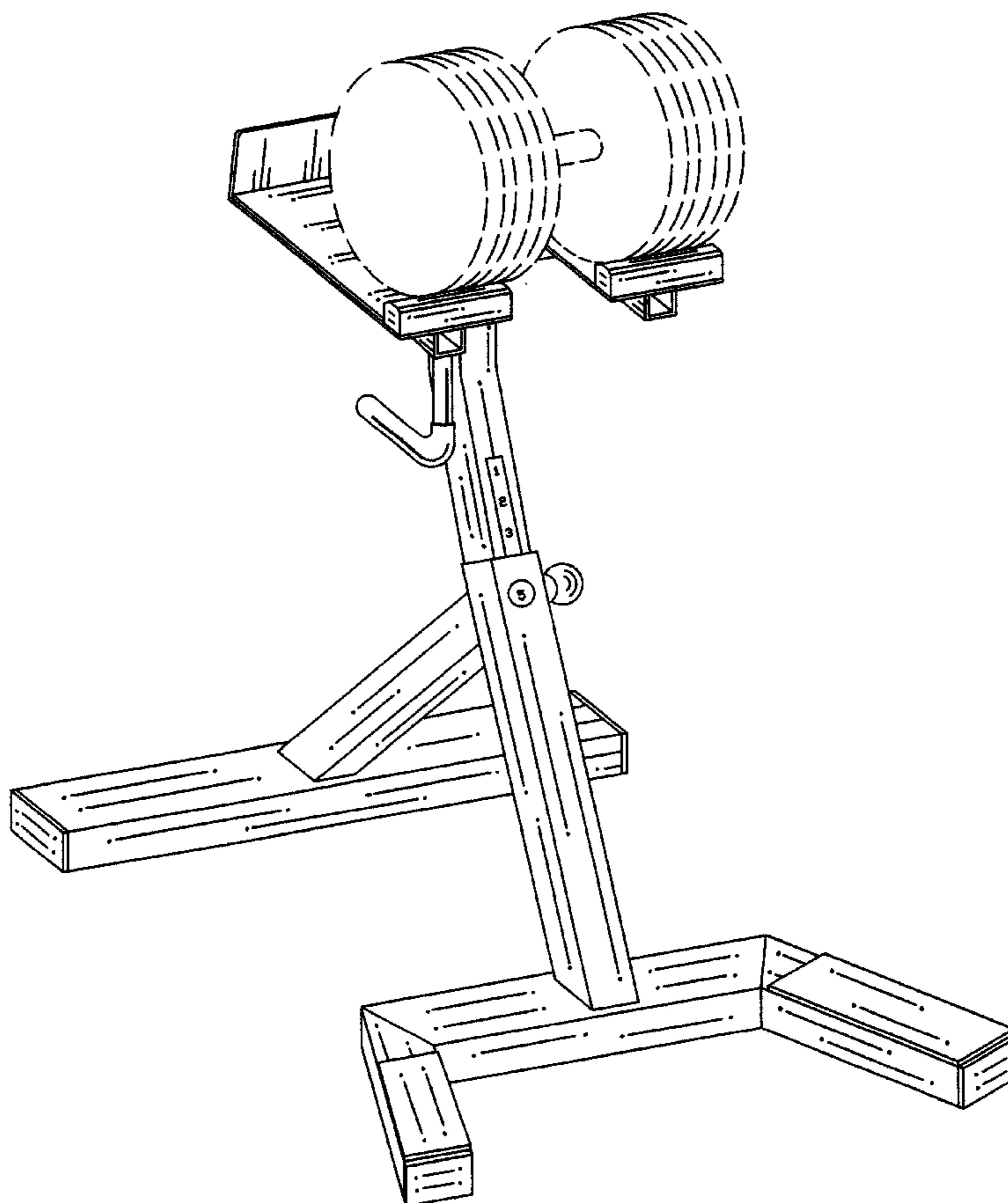
The broken line showing of the dumbbell in FIG. 1 is for illustrative purposes only and forms no part of the claimed design.

(56) **References Cited**

**U.S. PATENT DOCUMENTS**

4,666,150	A	*	5/1987	Segrist et al.	.....	482/104
4,773,642	A	*	9/1988	Cruz	.....	482/104
D317,031	S	*	5/1991	Ceppo	.....	D21/691
D350,888	S	*	9/1994	Perry	.....	D8/71
D381,715	S	*	7/1997	Reeder	.....	D21/691
D385,000	S	*	10/1997	Reeder	.....	D21/691
5,954,619	A	*	9/1999	Petrone	.....	482/104
D425,152	S	*	5/2000	Ceppo	.....	D21/686
D425,950	S	*	5/2000	Ceppo	.....	D21/686
D429,295	S	*	8/2000	Ceppo	.....	D21/686

**1 Claim, 8 Drawing Sheets**



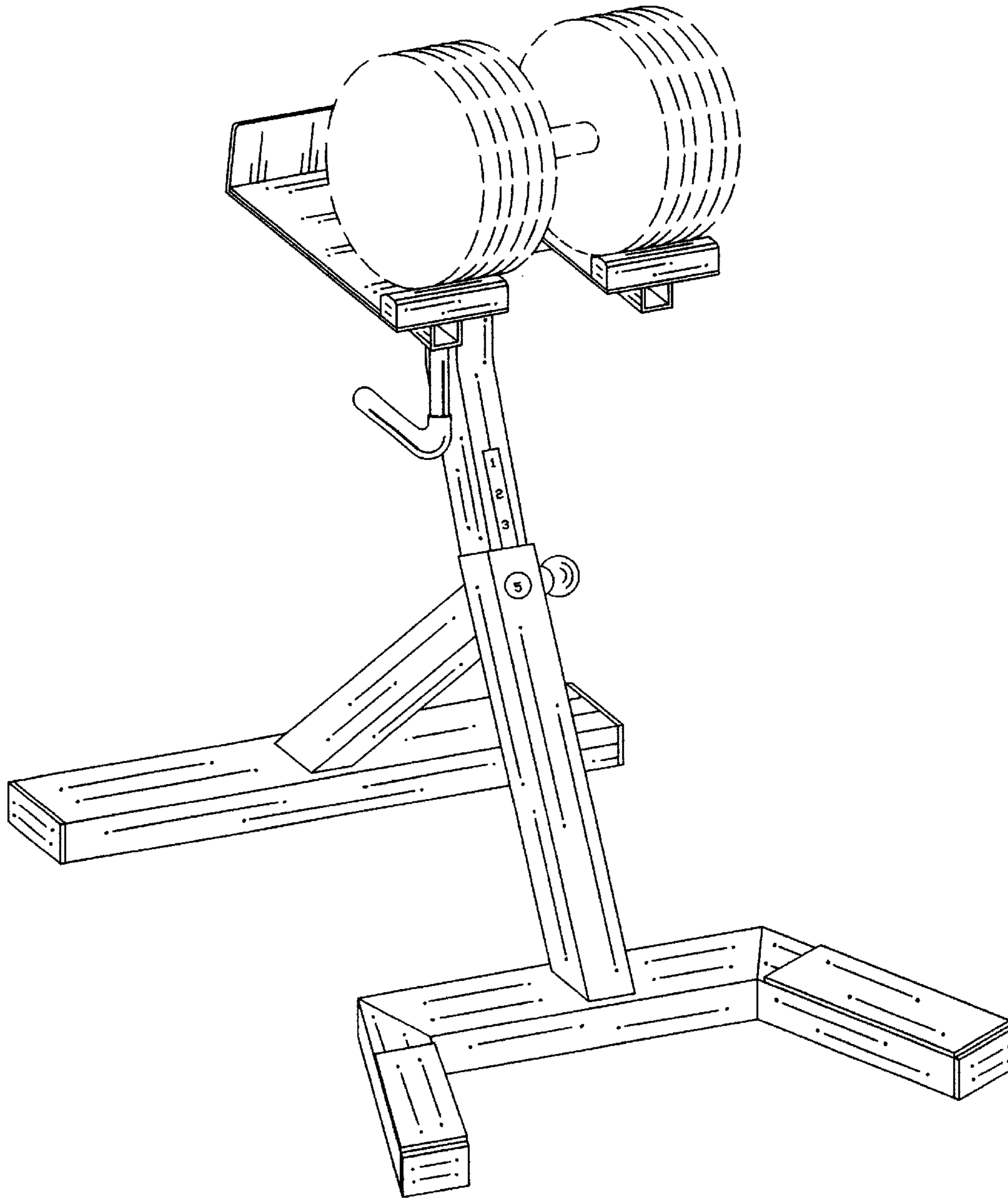


FIG. 1

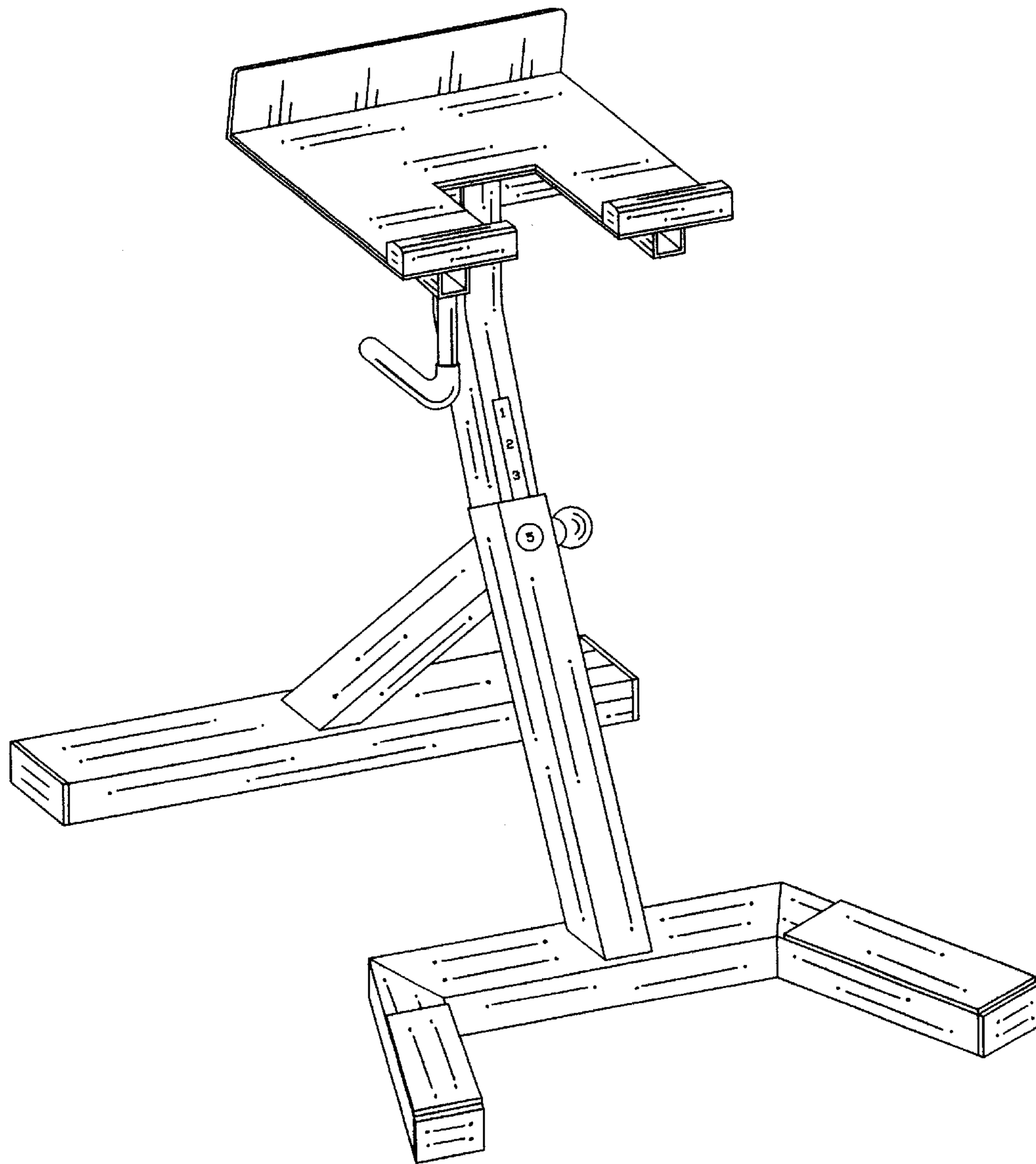


FIG. 2

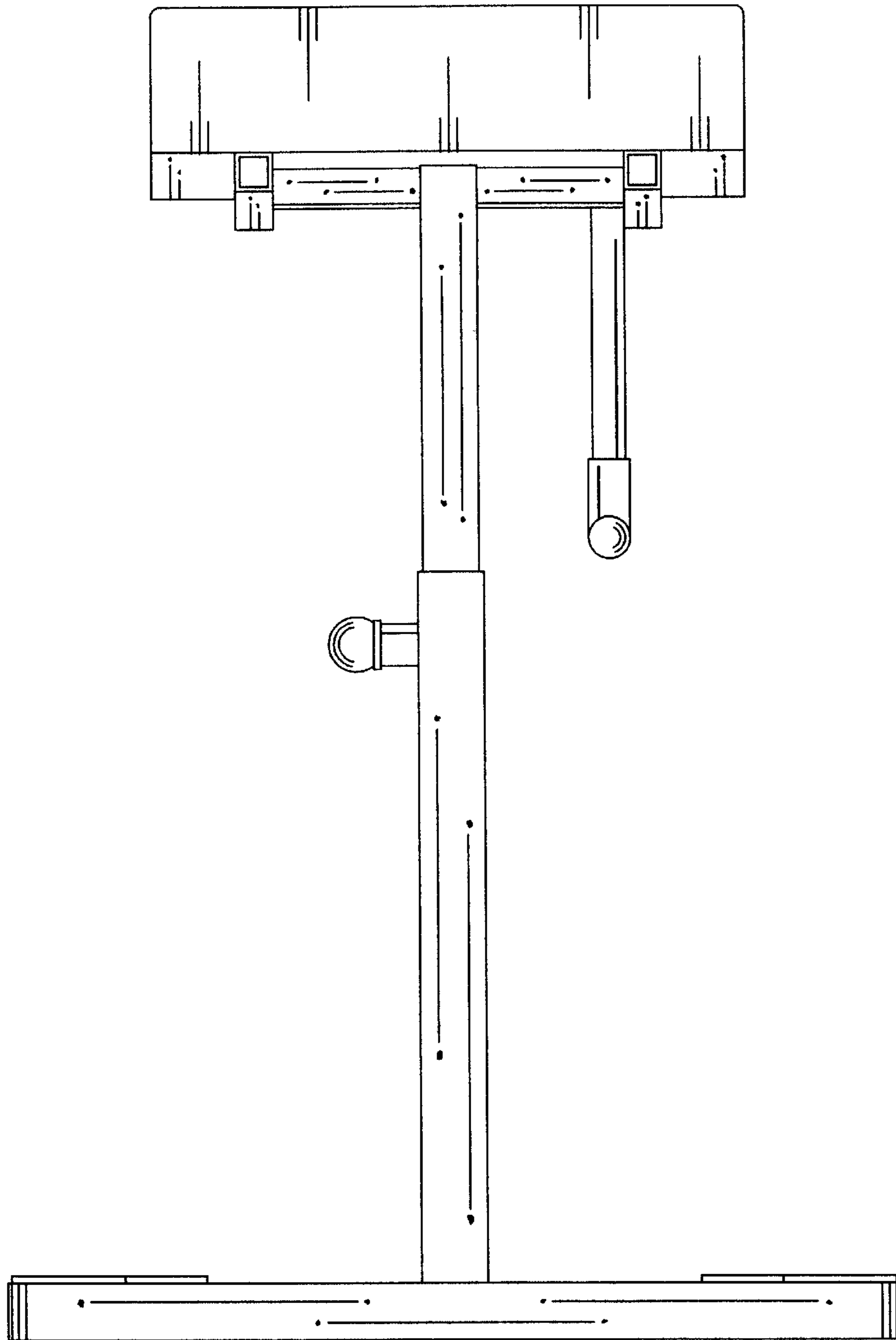


FIG. 3

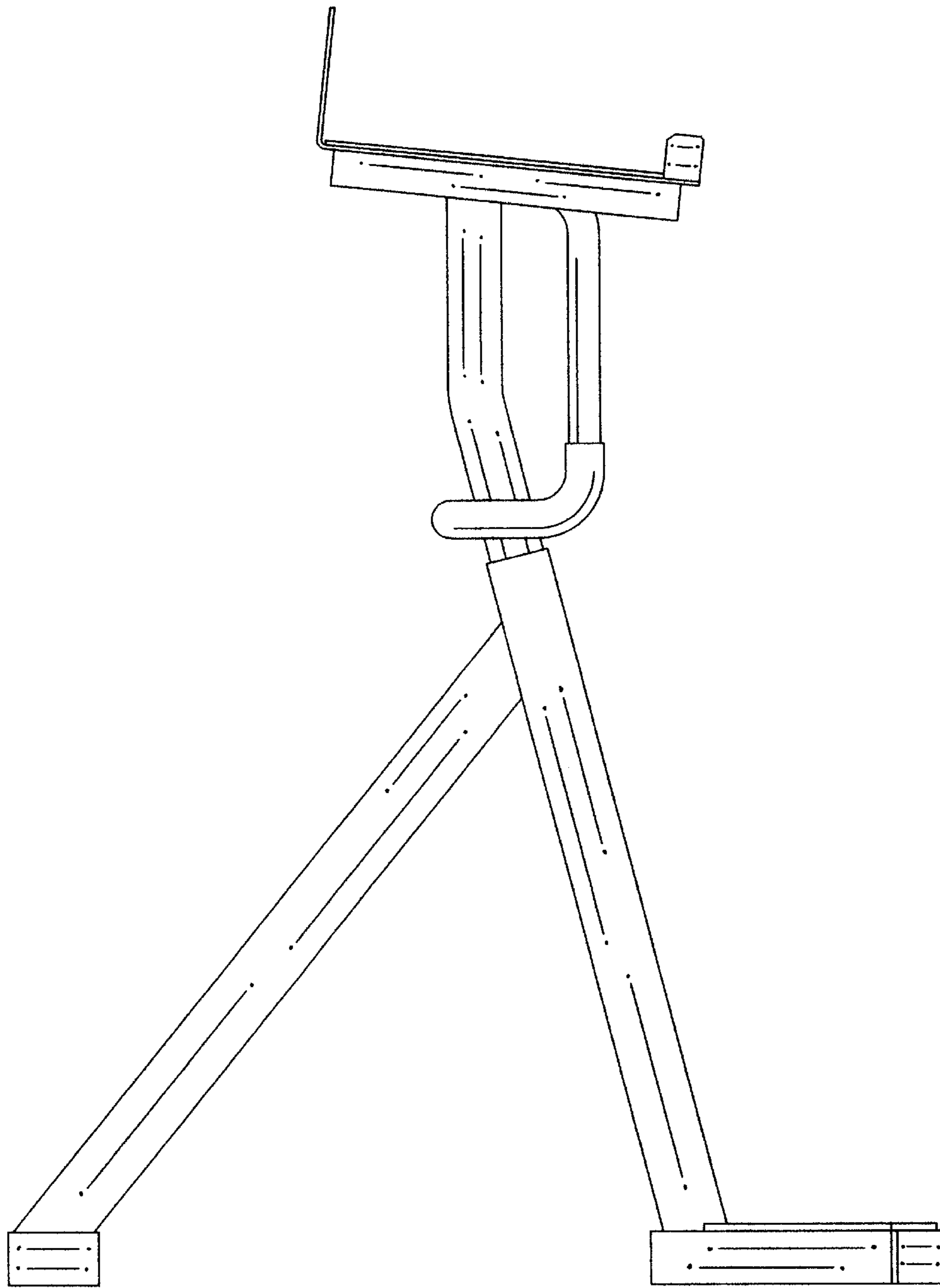


FIG. 4

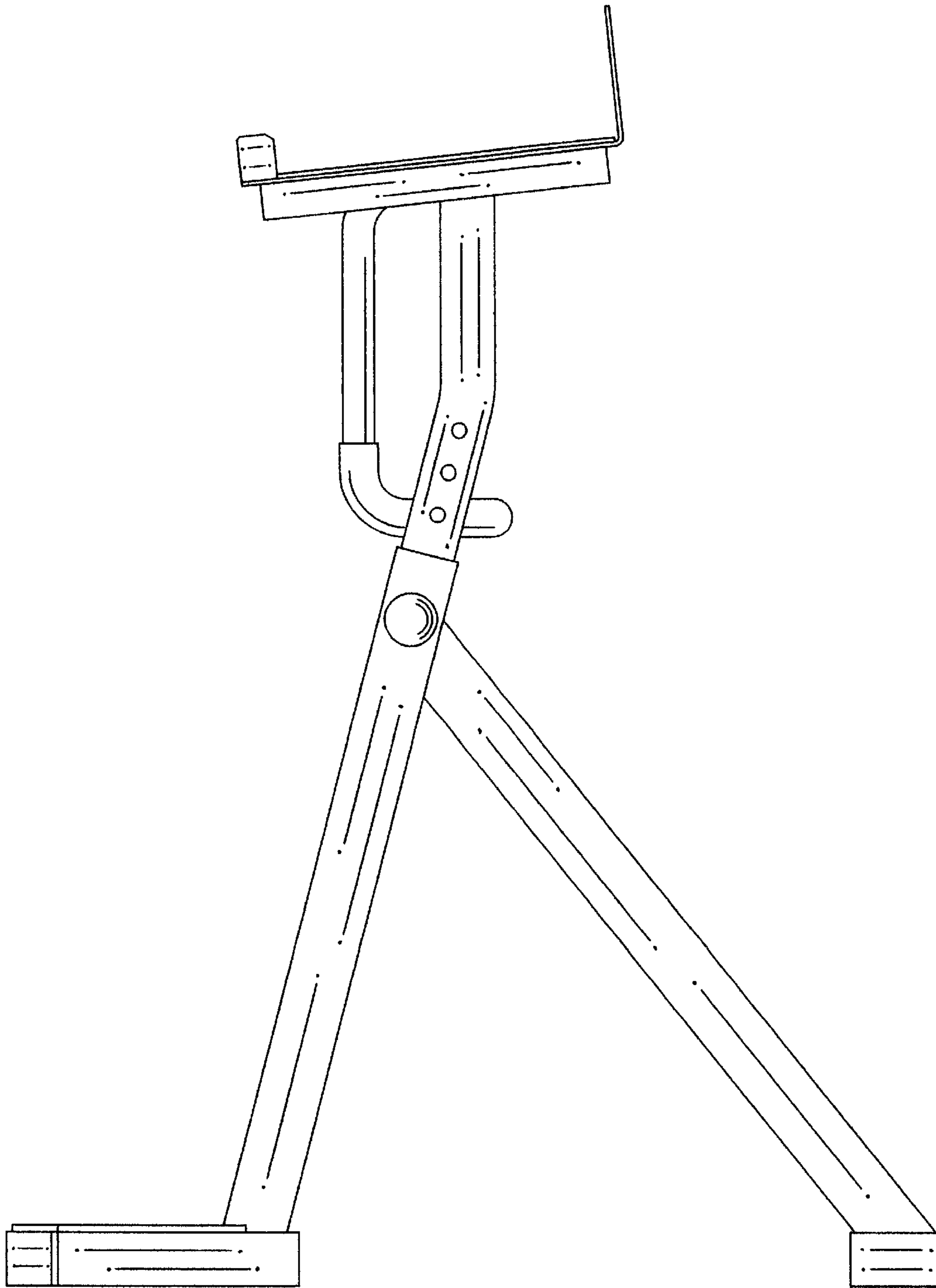


FIG. 5

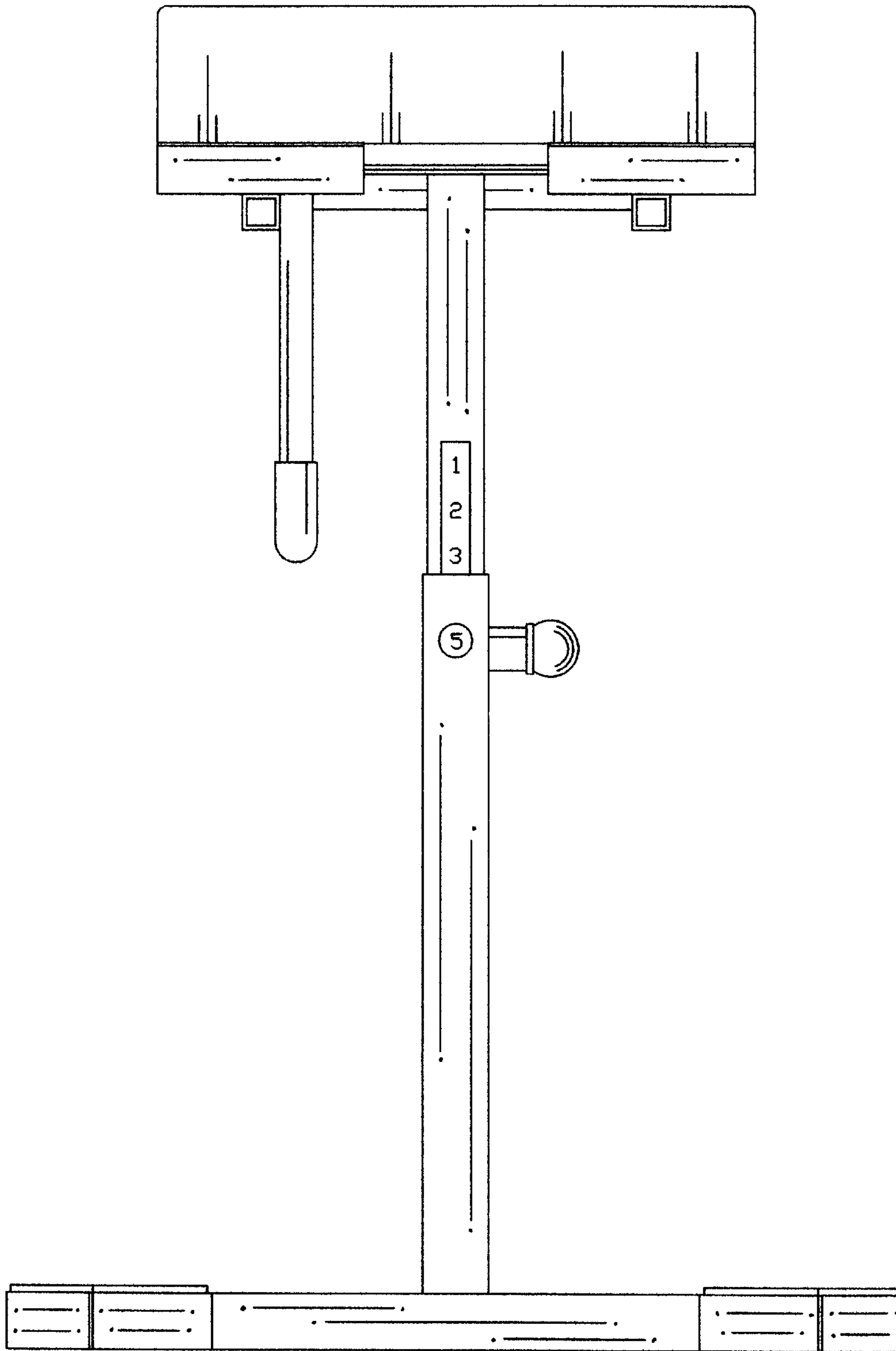


FIG. 6

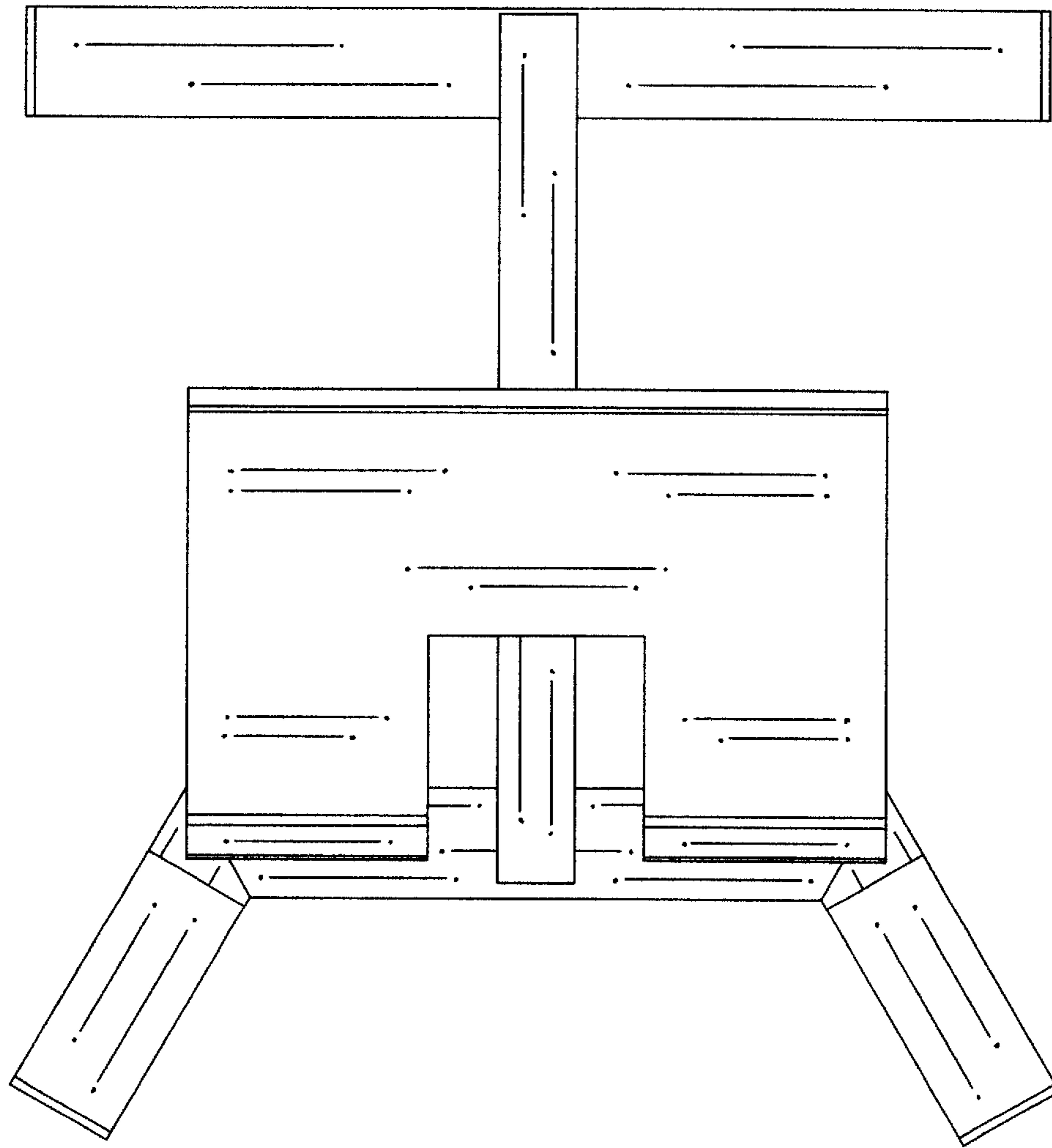


FIG. 7



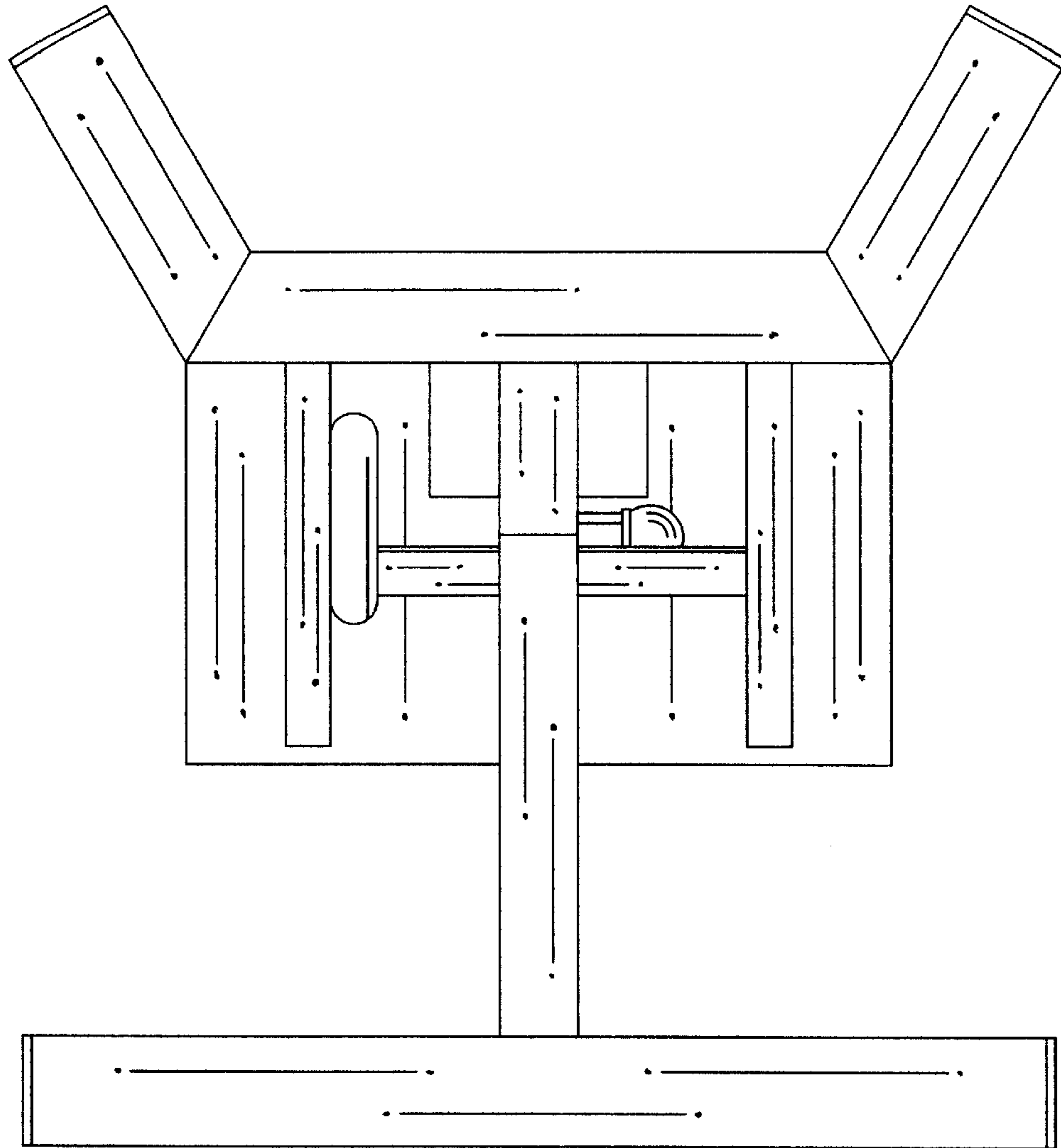


FIG. 8