

US00D495382S1

(12) **United States Design Patent**
Ceppo

(10) **Patent No.:** **US D495,382 S**

(45) **Date of Patent:** **** Aug. 31, 2004**

(54) **TELESCOPIC SAFETY SPOTTER SUPPORT FOR BARBELLS**

(76) **Inventor:** **Louis Ceppo**, 5853 Parkwalk Dr.,
Boynton Beach, FL (US) 33437

(**) **Term:** **14 Years**

(21) **Appl. No.:** **29/188,264**

(22) **Filed:** **Aug. 14, 2003**

(51) **LOC (7) Cl.** **21-02**

(52) **U.S. Cl.** **D21/686**

(58) **Field of Search** D21/662, 676,
D21/686, 691, 694; D34/31; 482/93, 94,
104, 139, 148

(56) **References Cited**

U.S. PATENT DOCUMENTS

4,666,150 A	*	5/1987	Segrist et al.	482/104
4,773,642 A	*	9/1988	Cruz	482/104
D317,031 S	*	5/1991	Ceppo	D21/691
D350,888 S	*	9/1994	Perry	D8/71
D381,715 S	*	7/1997	Reeder	D21/691
D385,000 S	*	10/1997	Reeder	D21/691

5,954,619 A	*	9/1999	Petrone	482/104
D425,152 S	*	5/2000	Ceppo	D21/686
D425,950 S	*	5/2000	Ceppo	D21/686
D429,295 S	*	8/2000	Ceppo	D21/686
D441,813 S	*	5/2001	Ceppo	D21/686
D443,660 S	*	6/2001	Ceppo	D21/686

* cited by examiner

Primary Examiner—Philip S. Hyder

(74) *Attorney, Agent, or Firm*—McHale & Slavin, P.A.

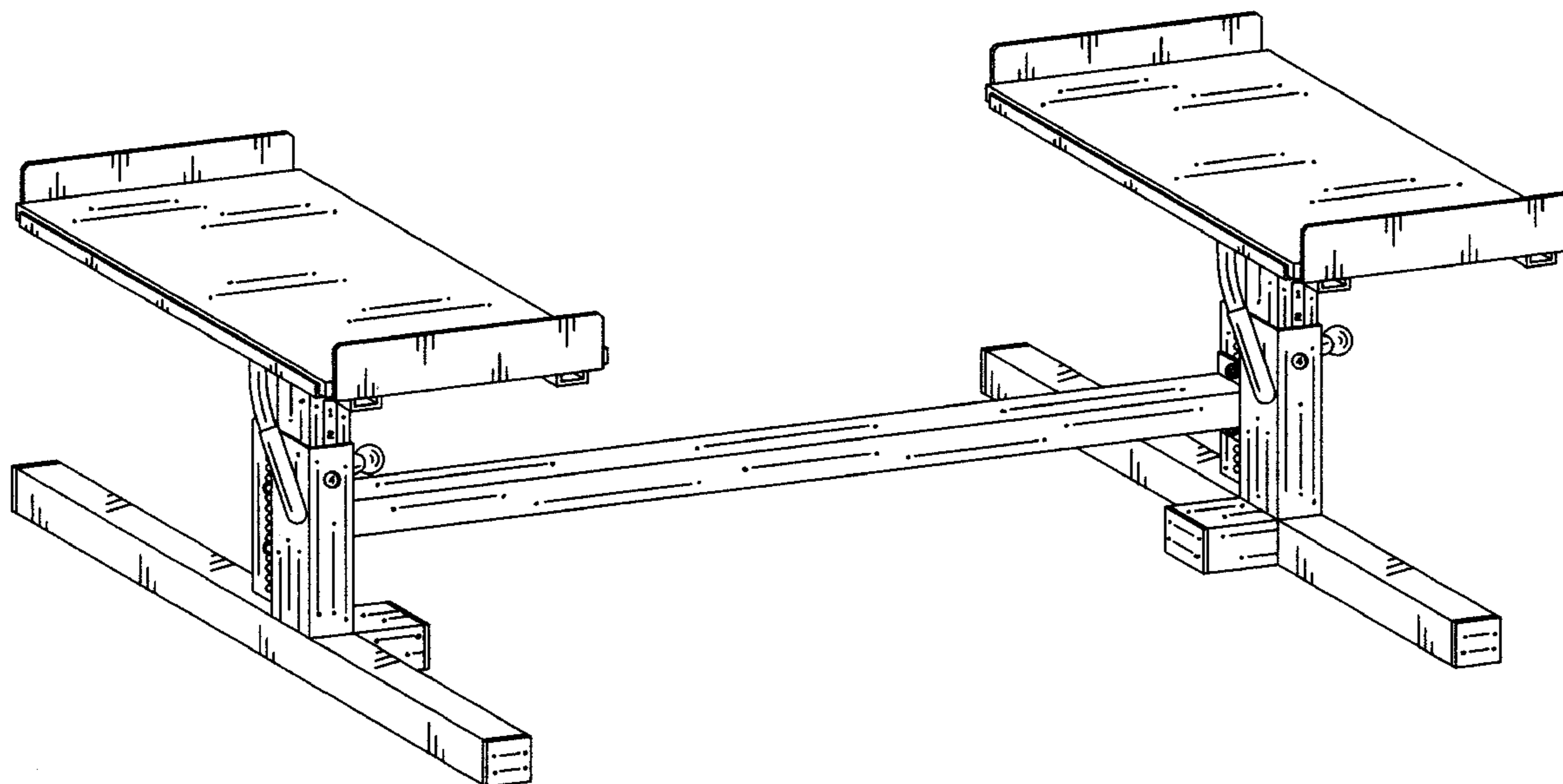
(57) **CLAIM**

The ornamental design for a telescopic safety spotter support for barbells, as shown and described.

DESCRIPTION

FIG. 1 is a perspective view of the telescopic safety spotter support for barbells;
FIG. 2 is a rear elevation view thereof;
FIG. 3 is a left side elevation view thereof;
FIG. 4 is a right side elevation view thereof;
FIG. 5 is a front elevation view thereof;
FIG. 6 is a top plan view thereof; and,
FIG. 7 is a bottom plan view thereof.

1 Claim, 6 Drawing Sheets



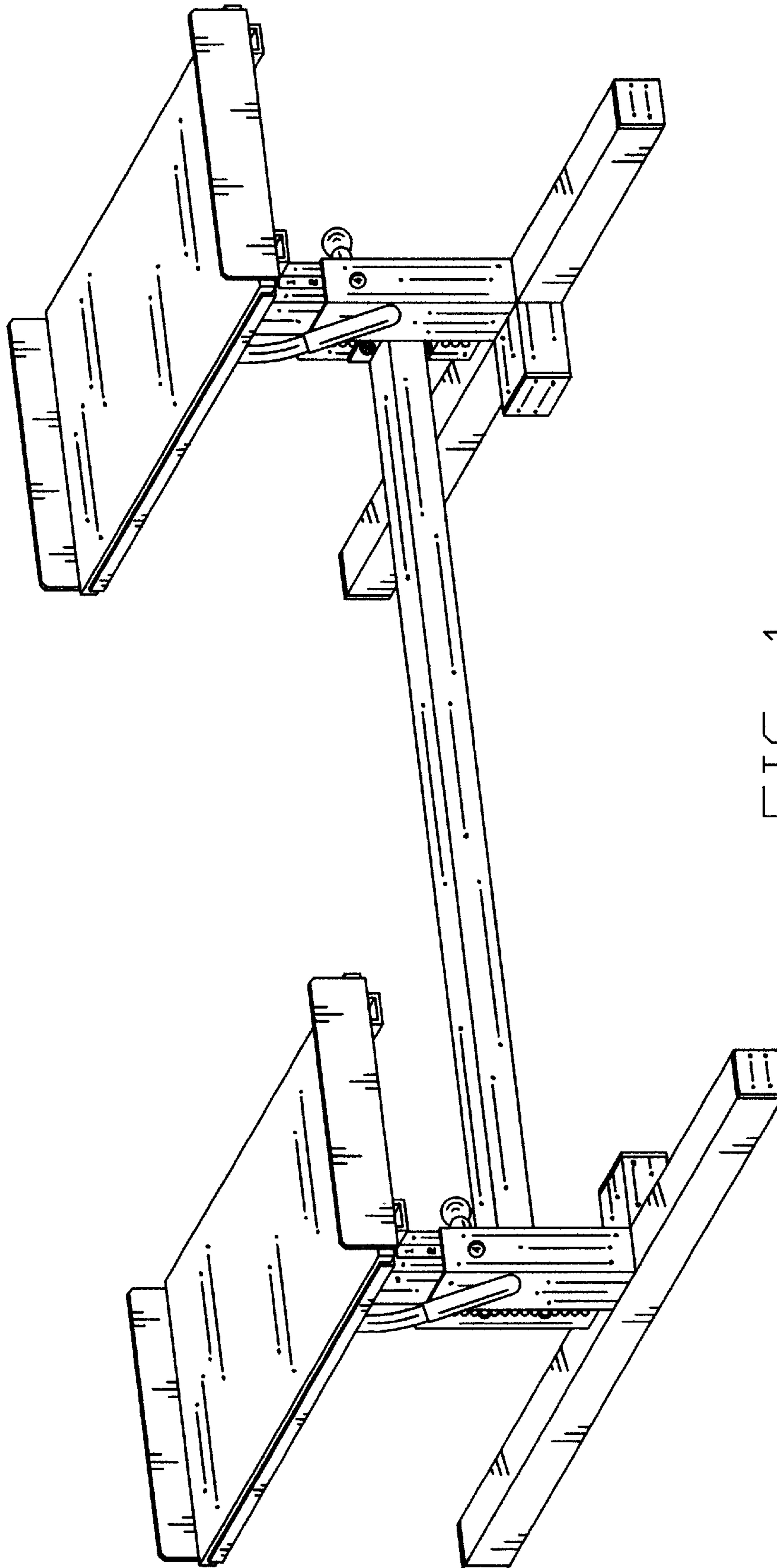


FIG. 1

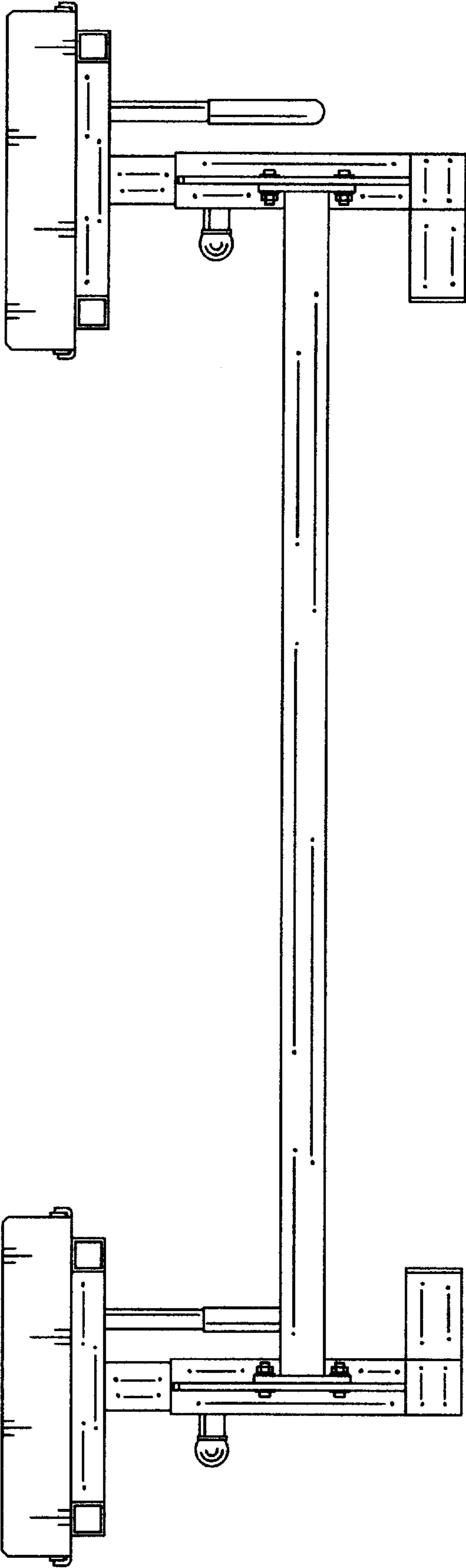


FIG. 2

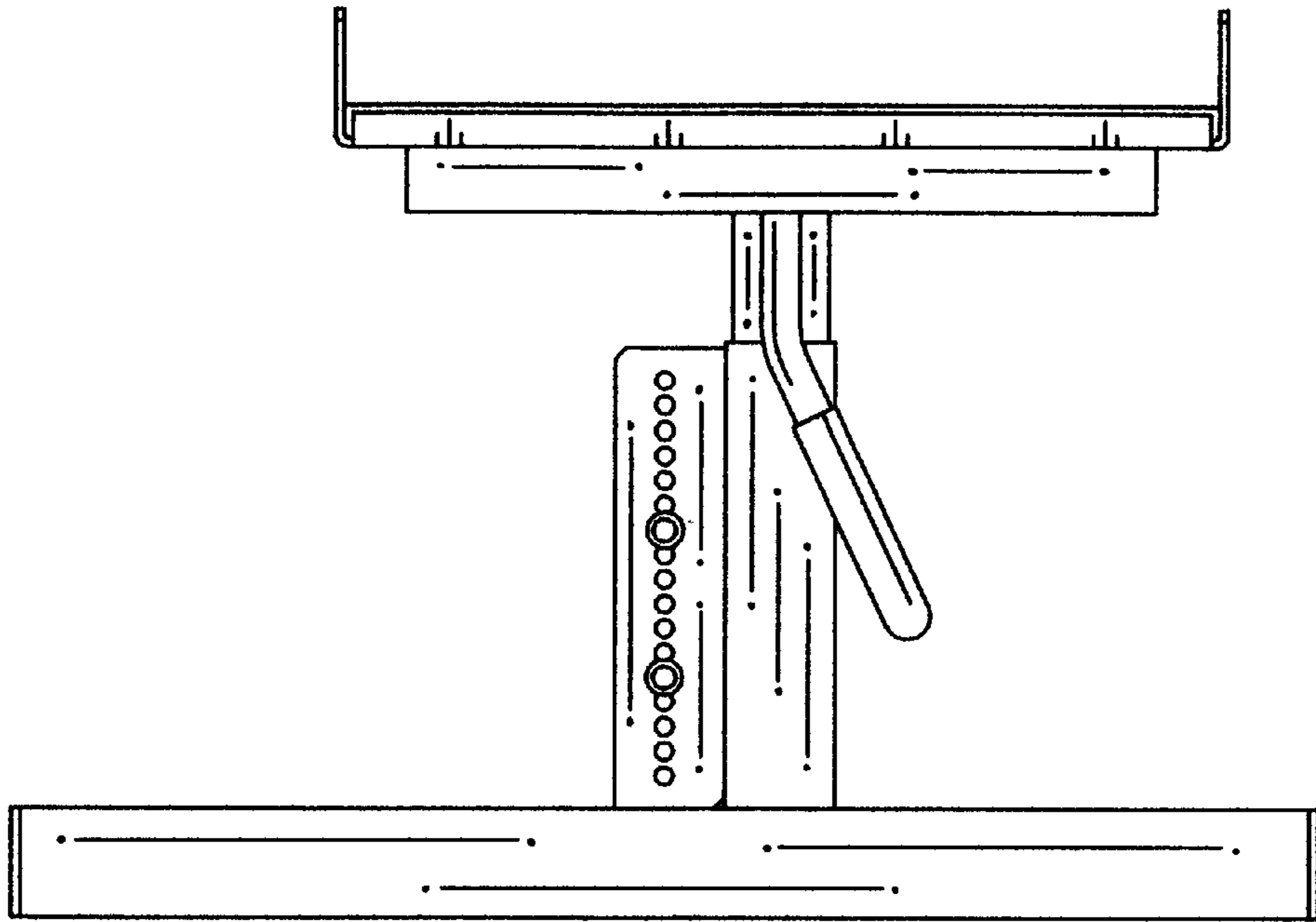


FIG. 3

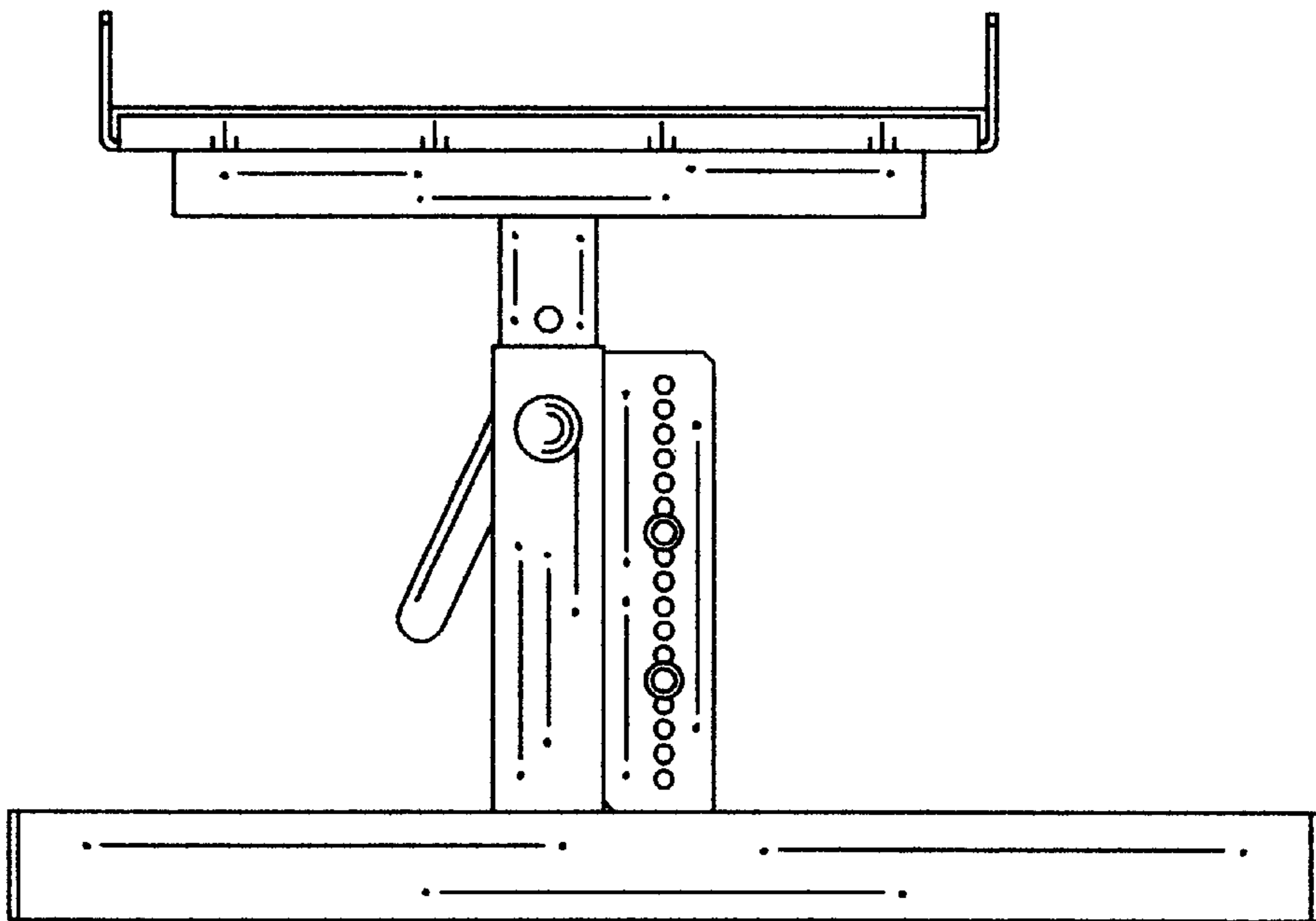


FIG. 4

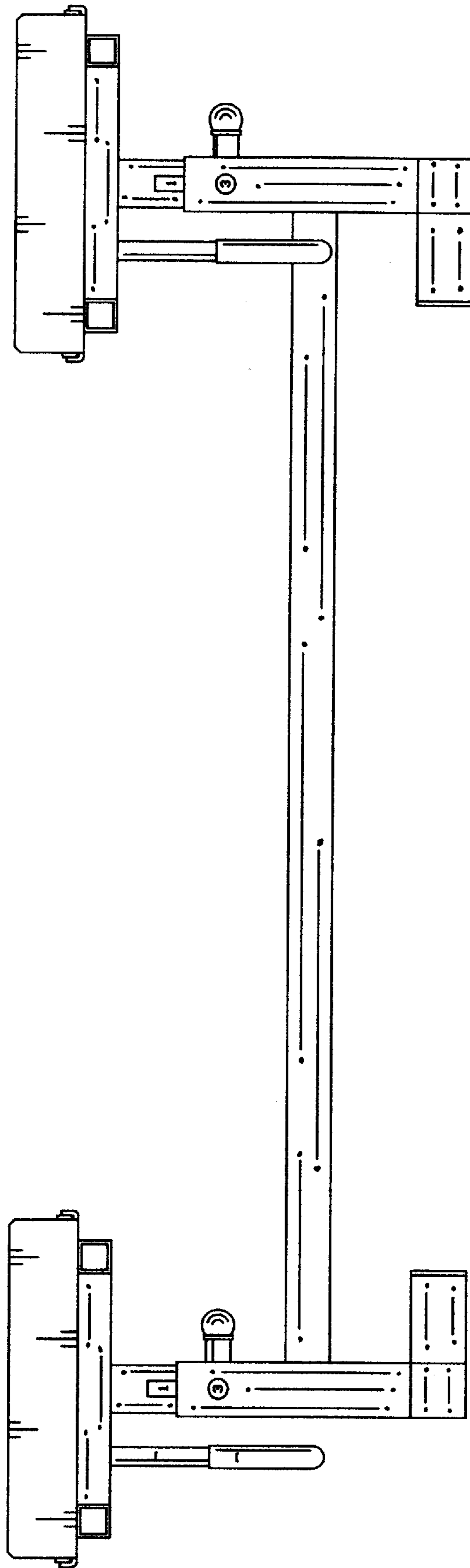


FIG. 5

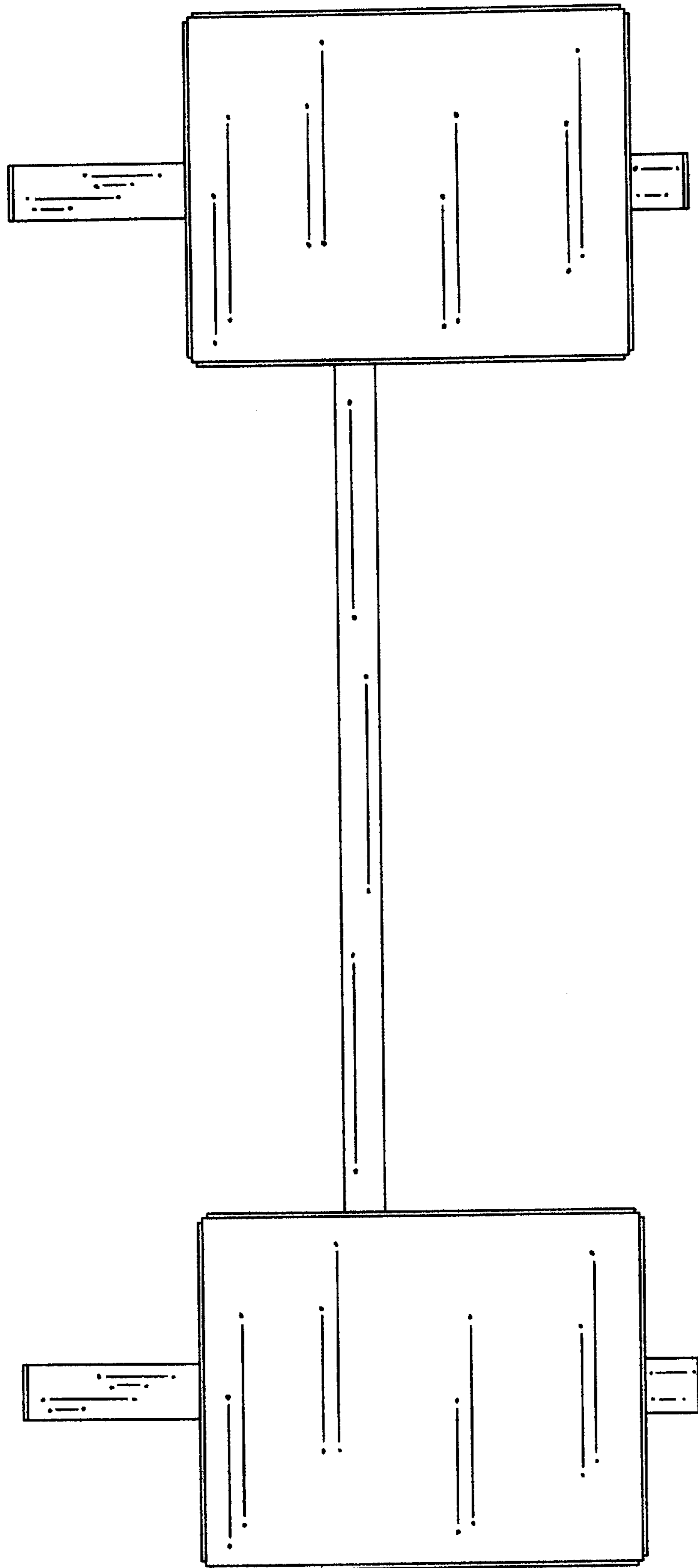


FIG. 6

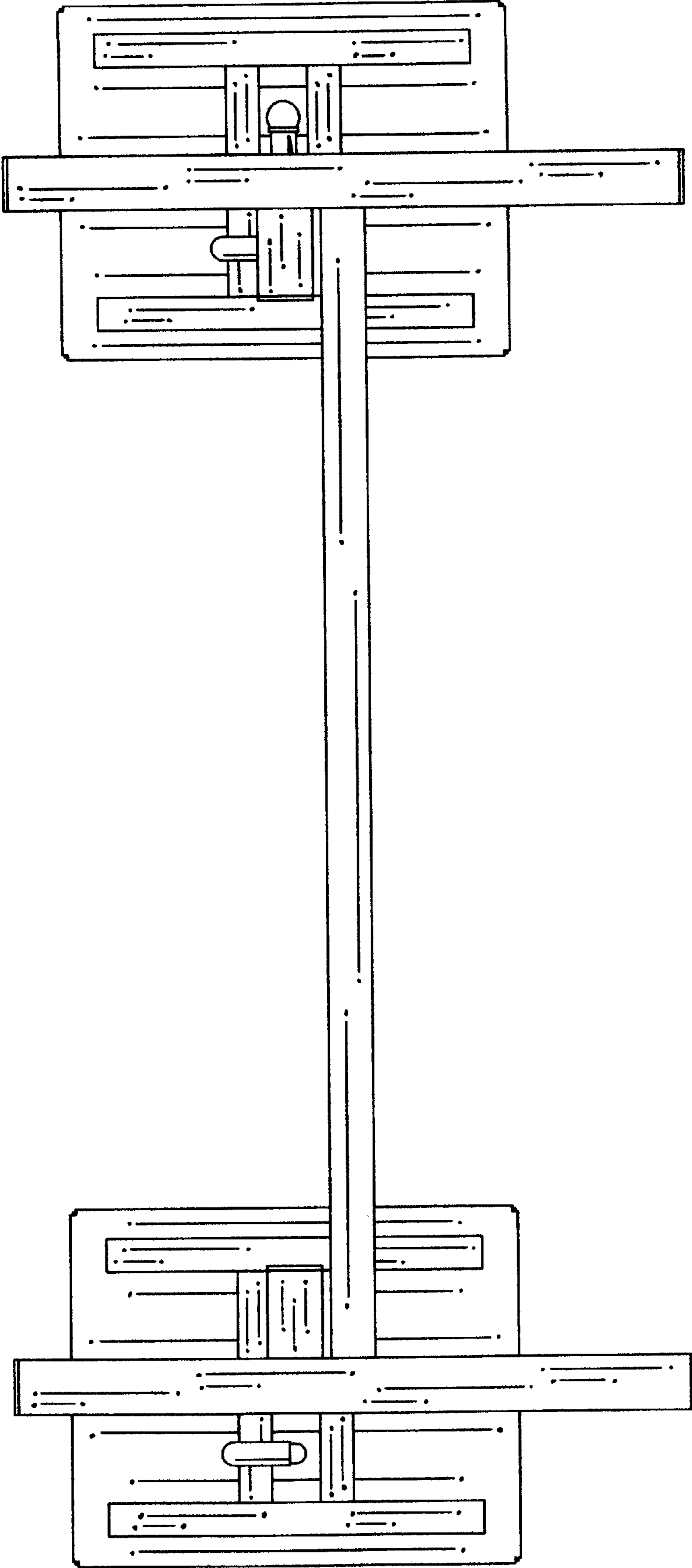


FIG. 7