

US00D495381S1

(12) **United States Design Patent**
Ceppo

(10) **Patent No.:** **US D495,381 S**

(45) **Date of Patent:** **** Aug. 31, 2004**

(54) **TELESCOPIC SAFETY SPOTTER FOR BARBELLS**

(76) **Inventor:** **Louis Ceppo**, 5853 Parkwalk Dr.,
Boynton Beach, FL (US) 33437

(**) **Term:** **14 Years**

(21) **Appl. No.:** **29/188,247**

(22) **Filed:** **Aug. 14, 2003**

(51) **LOC (7) Cl.** **21-02**

(52) **U.S. Cl.** **D21/686**

(58) **Field of Search** D21/662, 676,
D21/686, 691, 694; D34/31; 482/93, 94,
104, 139, 148

(56) **References Cited**

U.S. PATENT DOCUMENTS

| | | | | |
|-------------|---|---------|----------------|---------|
| 4,666,150 A | * | 5/1987 | Segrist et al. | 482/104 |
| 4,773,642 A | * | 9/1988 | Cruz | 482/104 |
| D317,031 S | * | 5/1991 | Ceppo | D21/691 |
| D350,888 S | * | 9/1994 | Perry | D8/71 |
| D381,715 S | * | 7/1997 | Reeder | D21/691 |
| D385,000 S | * | 10/1997 | Reeder | D21/691 |

| | | | | |
|-------------|---|--------|---------|---------|
| 5,954,619 A | * | 9/1999 | Petrone | 482/104 |
| D425,152 S | * | 5/2000 | Ceppo | D21/686 |
| D425,950 S | * | 5/2000 | Ceppo | D21/686 |
| D429,295 S | * | 8/2000 | Ceppo | D21/686 |
| D441,813 S | * | 5/2001 | Ceppo | D21/686 |
| D443,660 S | * | 6/2001 | Ceppo | D21/686 |

* cited by examiner

Primary Examiner—Philip S. Hyder

(74) *Attorney, Agent, or Firm*—McHale & Slavin, P.A.

(57) **CLAIM**

The ornamental design for a telescopic safety spotter for barbells, as shown and described.

DESCRIPTION

FIG. 1 is a perspective view of the telescopic safety spotter for barbells;

FIG. 2 is a rear elevation view thereof;

FIG. 3 is a left side elevation view thereof;

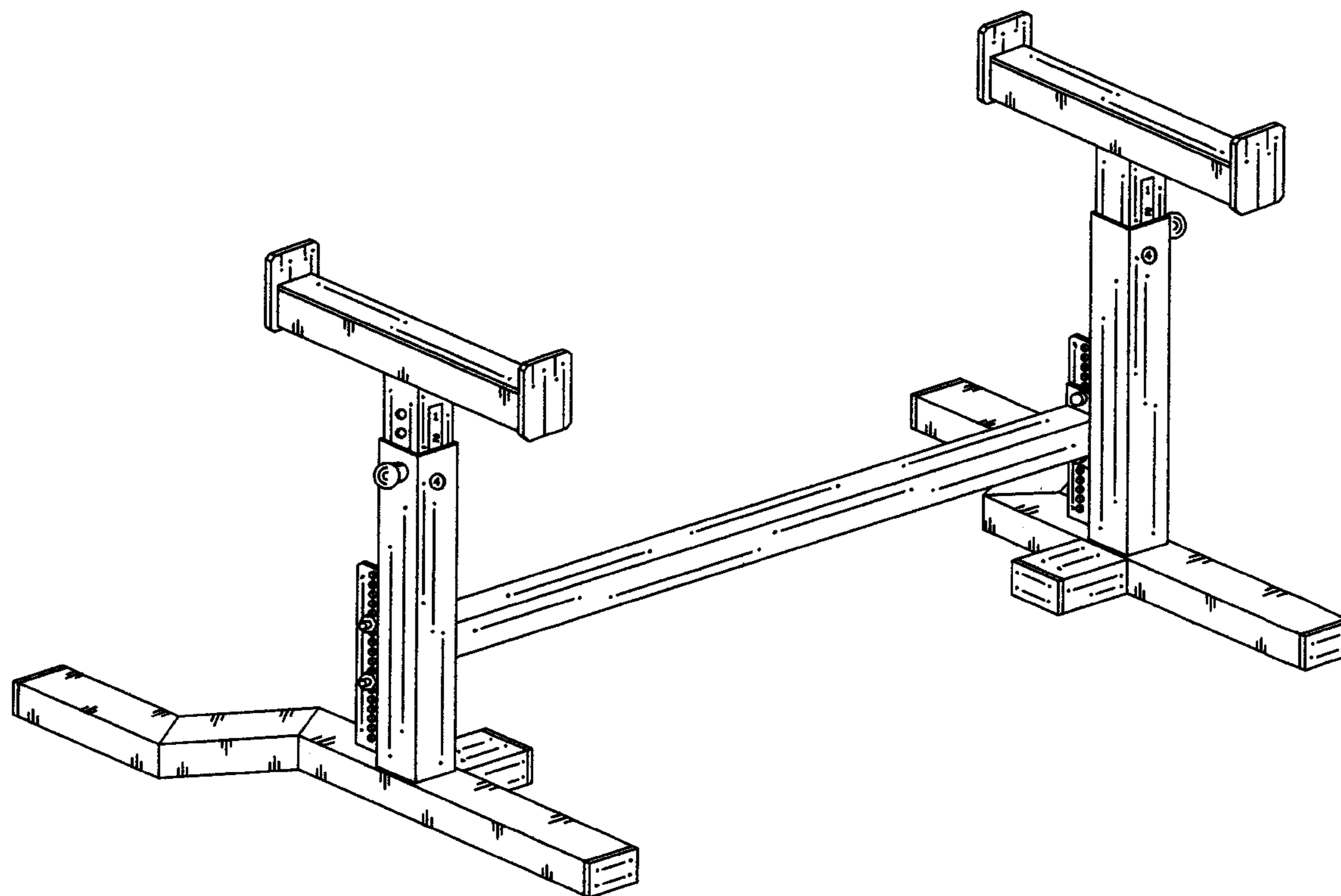
FIG. 4 is a right side elevation view thereof;

FIG. 5 is a front elevation view thereof;

FIG. 6 is a top plan view thereof; and,

FIG. 7 is a bottom plan view thereof.

1 Claim, 7 Drawing Sheets



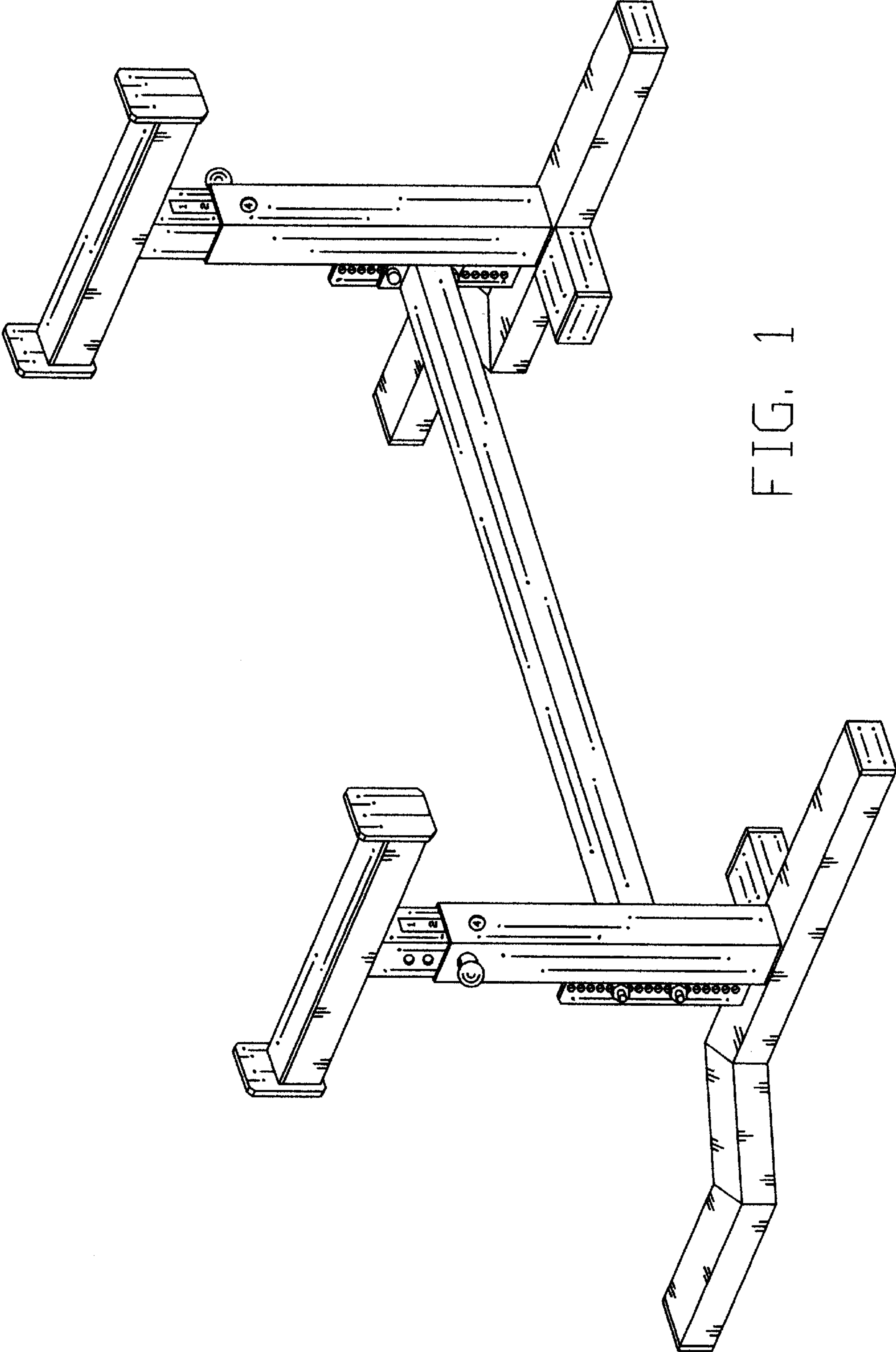


FIG. 1

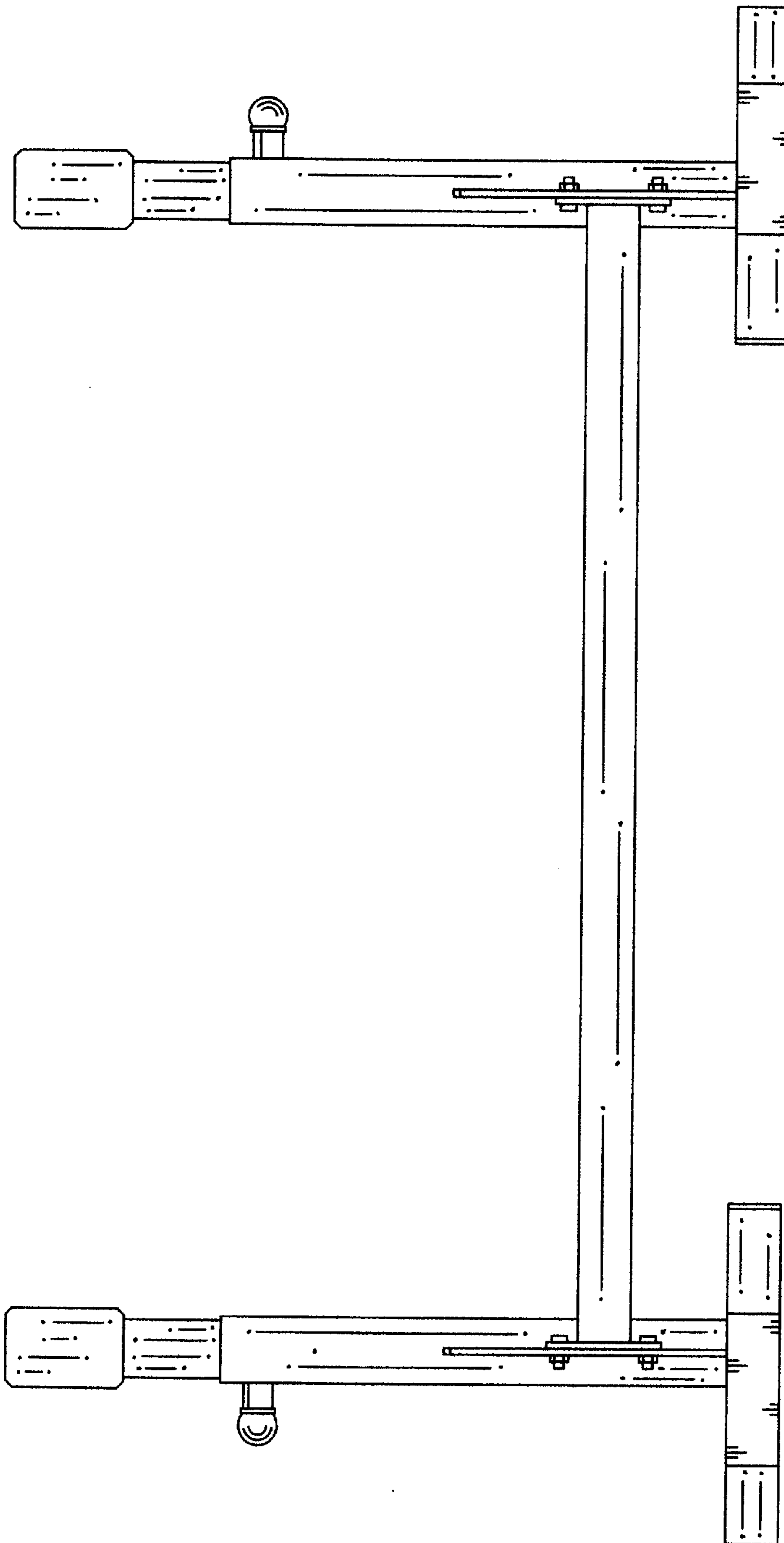


FIG. 2

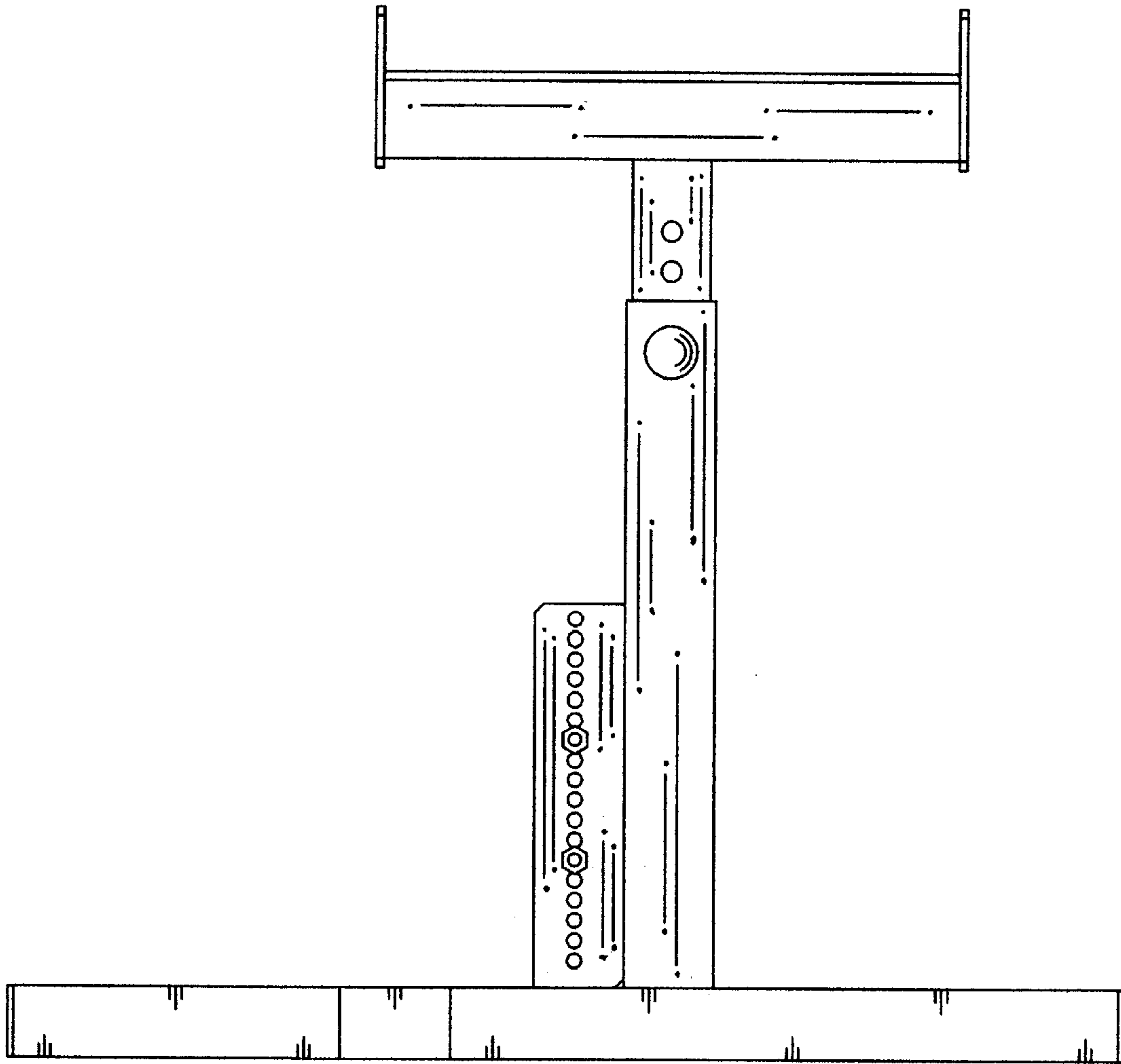


FIG. 3

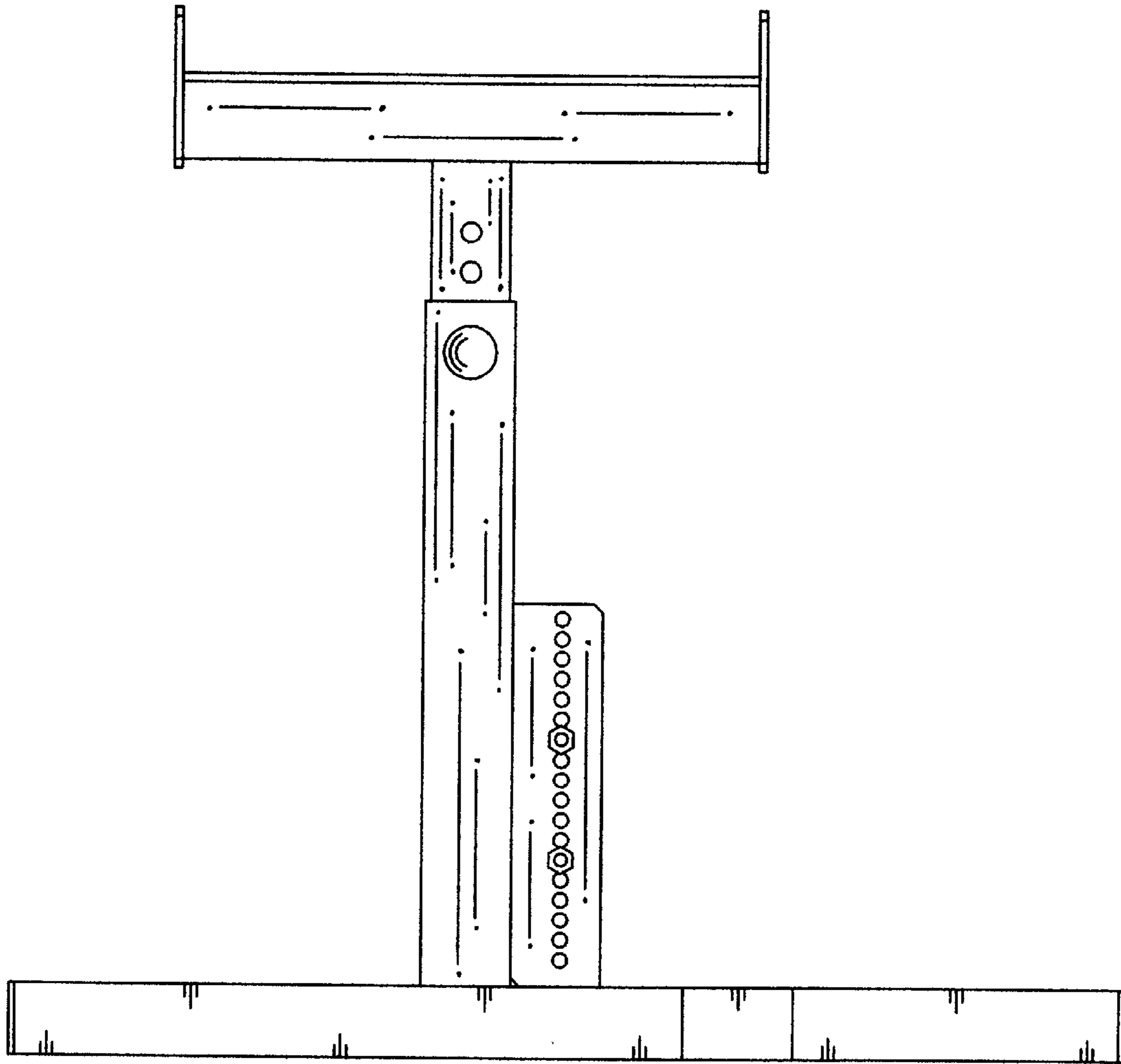


FIG. 4

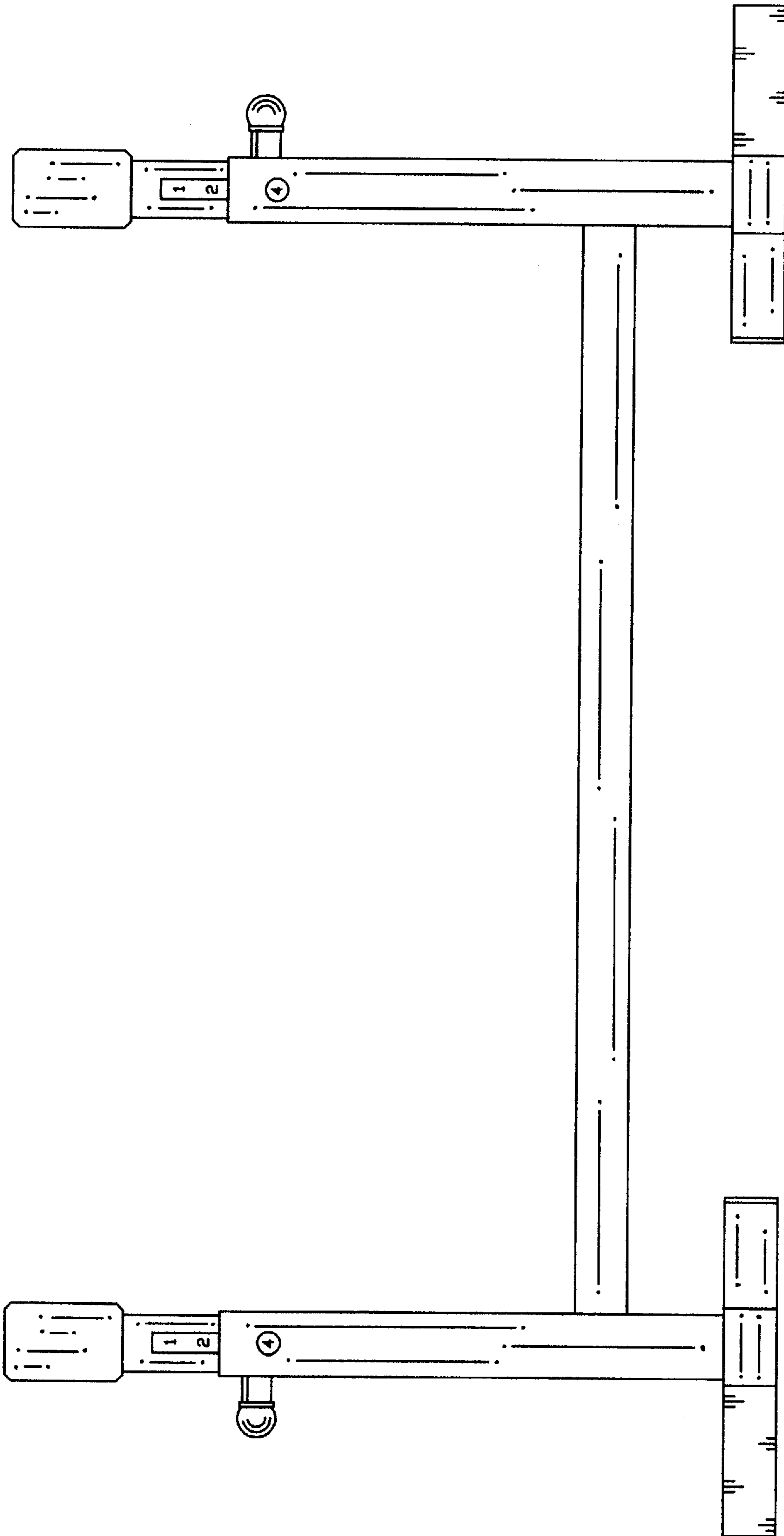


FIG. 5

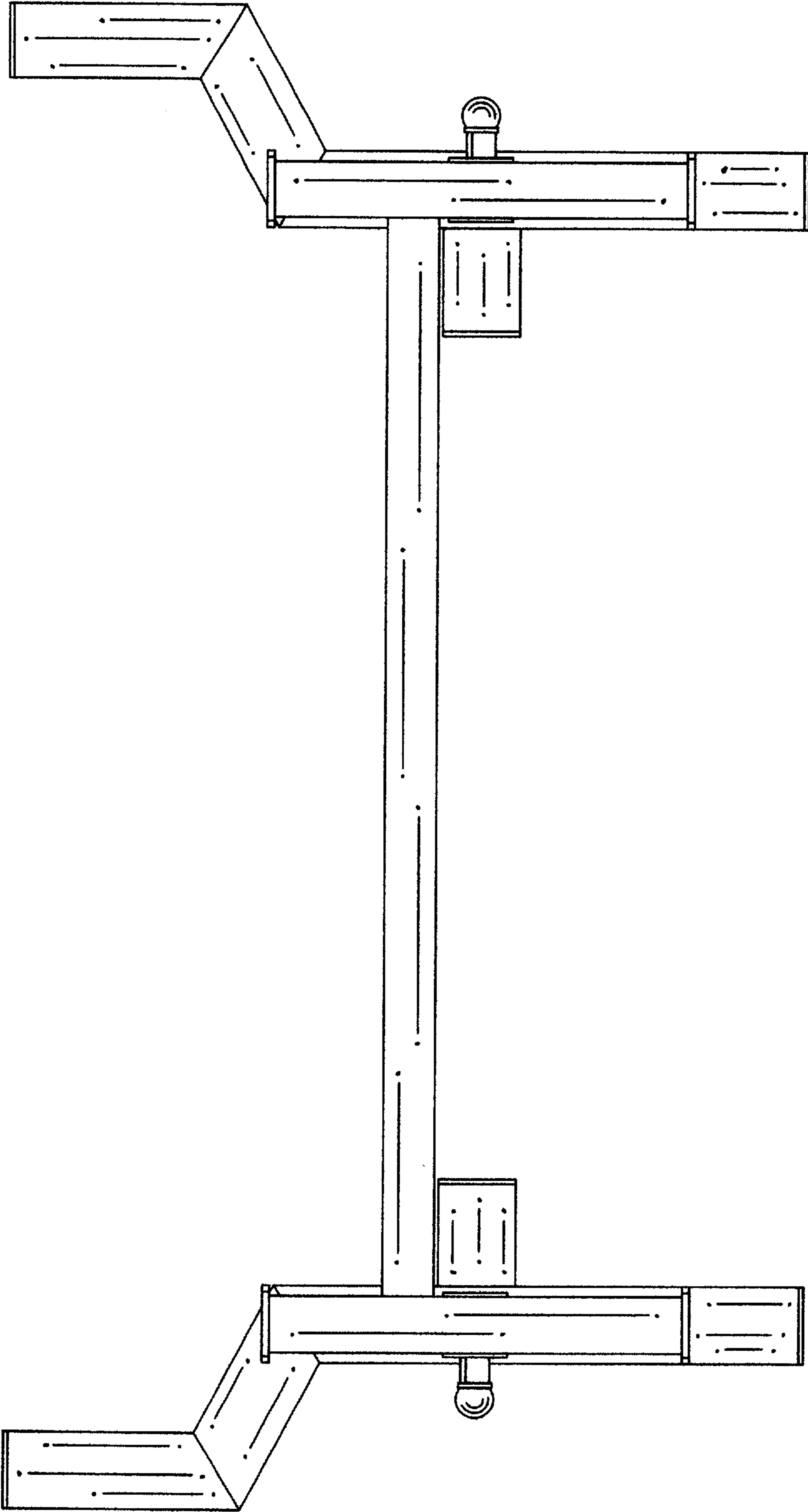


FIG. 6

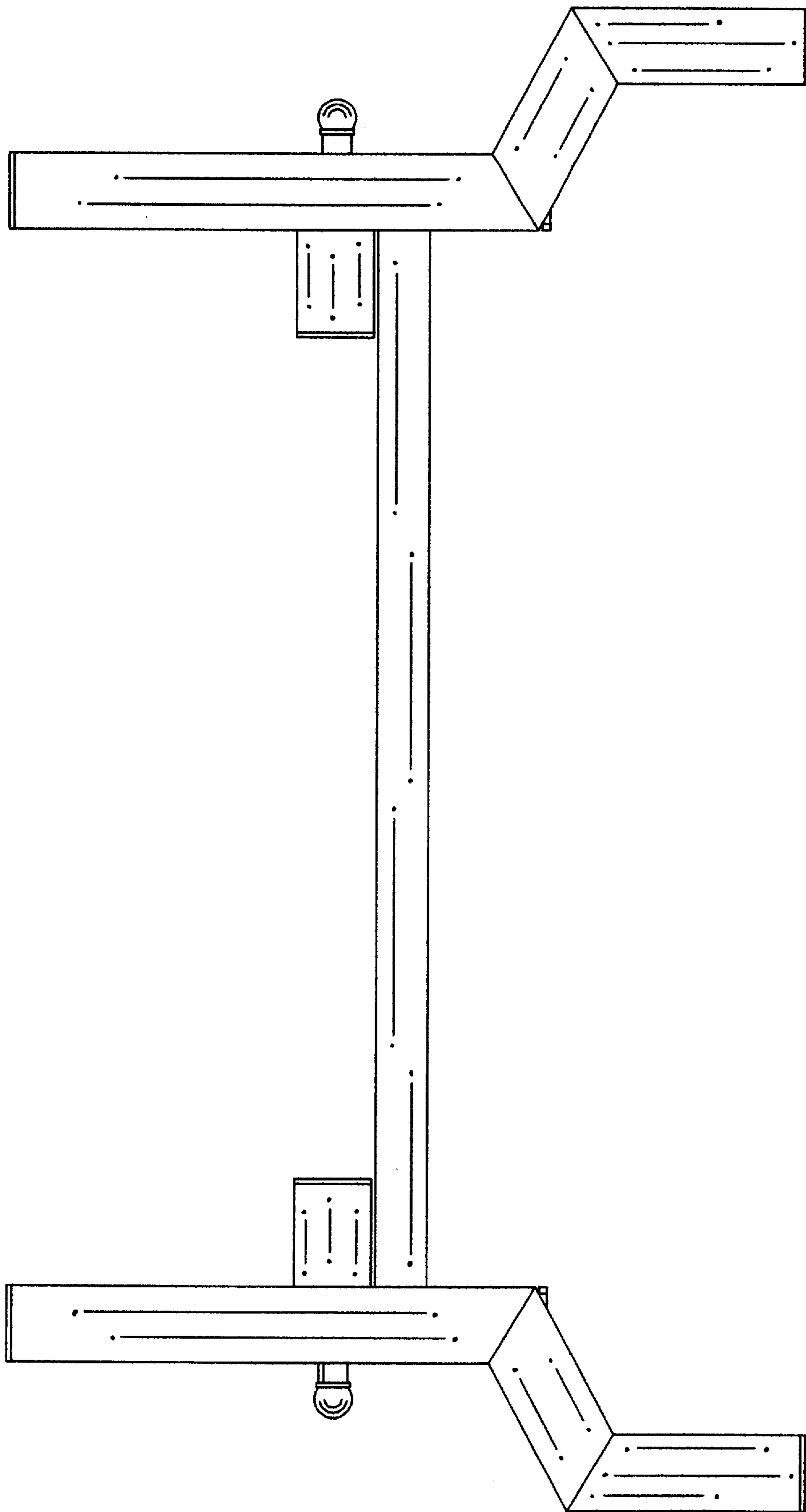


FIG. 7