

US00D495379S1

(12) **United States Design Patent**
Dubus

(10) **Patent No.:** **US D495,379 S**

(45) **Date of Patent:** **** Aug. 31, 2004**

(54) **GYMNASTIC TABLE**

(76) **Inventor:** **Jean-Noël Dubus**, 2 rue des Glycines,
17330 Villeneuve la Comtesse (FR)

(**) **Term:** **14 Years**

(21) **Appl. No.:** **29/167,753**

(22) **Filed:** **Sep. 19, 2002**

(30) **Foreign Application Priority Data**

Mar. 20, 2002 (FR) 02 1894

(51) **LOC (7) Cl.** **21-02**

(52) **U.S. Cl.** **D21/686; D21/690; D21/797**

(58) **Field of Search** D21/662, 671,
D21/676, 686, 687, 690; D24/183; 482/23,
140, 141, 142; D6/349

(56) **References Cited**

U.S. PATENT DOCUMENTS

- D330,235 S * 10/1992 Traetta et al. D21/671
- D346,704 S * 5/1994 Grosfillex D6/349
- D349,540 S * 8/1994 Hand et al. D21/671
- D353,419 S * 12/1994 Sprague D21/686
- D353,637 S * 12/1994 Huang D21/690

- D355,458 S * 2/1995 Chen D21/673
- D355,998 S * 3/1995 Brandon D6/495
- D357,517 S * 4/1995 Traetta D21/690
- D390,288 S * 2/1998 Fingleson et al. D21/686
- D408,555 S * 4/1999 Albrecht D25/65

* cited by examiner

Primary Examiner—Philip S. Hyder

(74) *Attorney, Agent, or Firm*—Cantor Colburn LLP

(57) **CLAIM**

The ornamental design for a gymnastic table, as shown and described.

DESCRIPTION

FIG. 1 is a top and front perspective view of a gymnastic table, showing my new design;

FIG. 2 is a top plan view thereof;

FIG. 3 is a side elevational view thereof; taken from the left of FIG. 5;

FIG. 4 is a side elevational view thereof; taken from the right of FIG. 5;

FIG. 5 is a rear end elevational view thereof; and,

FIG. 6 is a front end elevational view thereof.

1 Claim, 2 Drawing Sheets

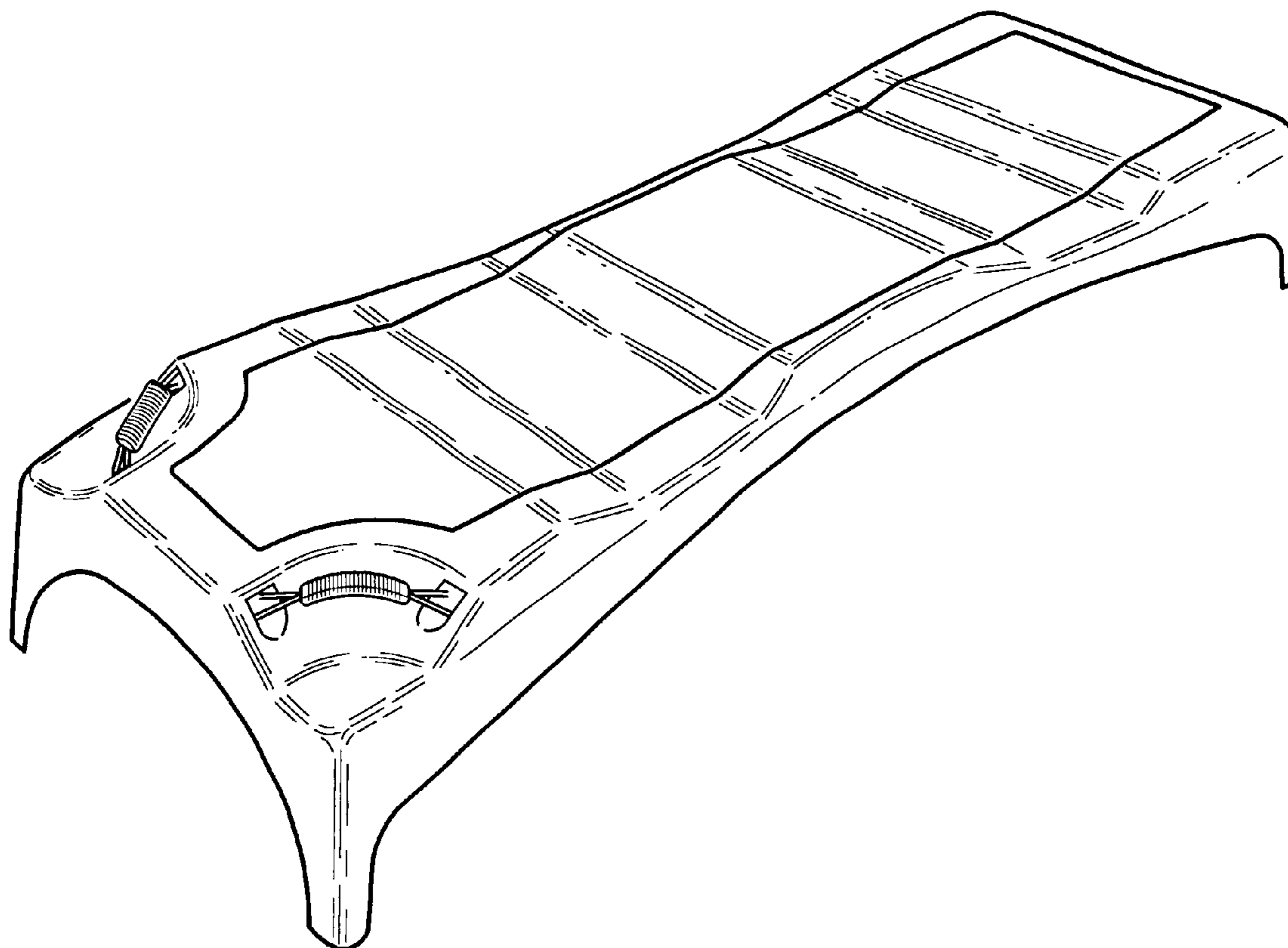


FIGURE 1

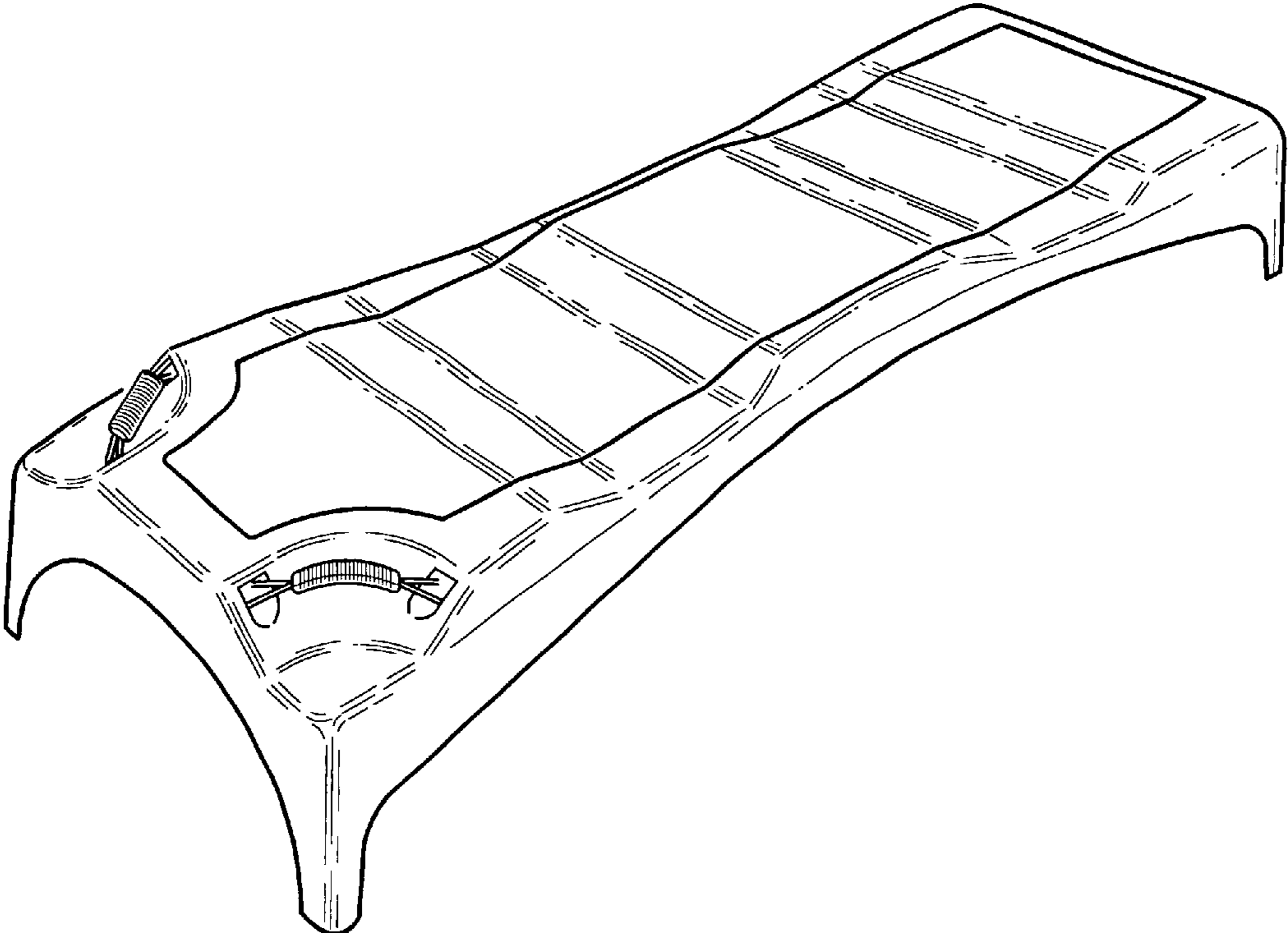


FIGURE 2

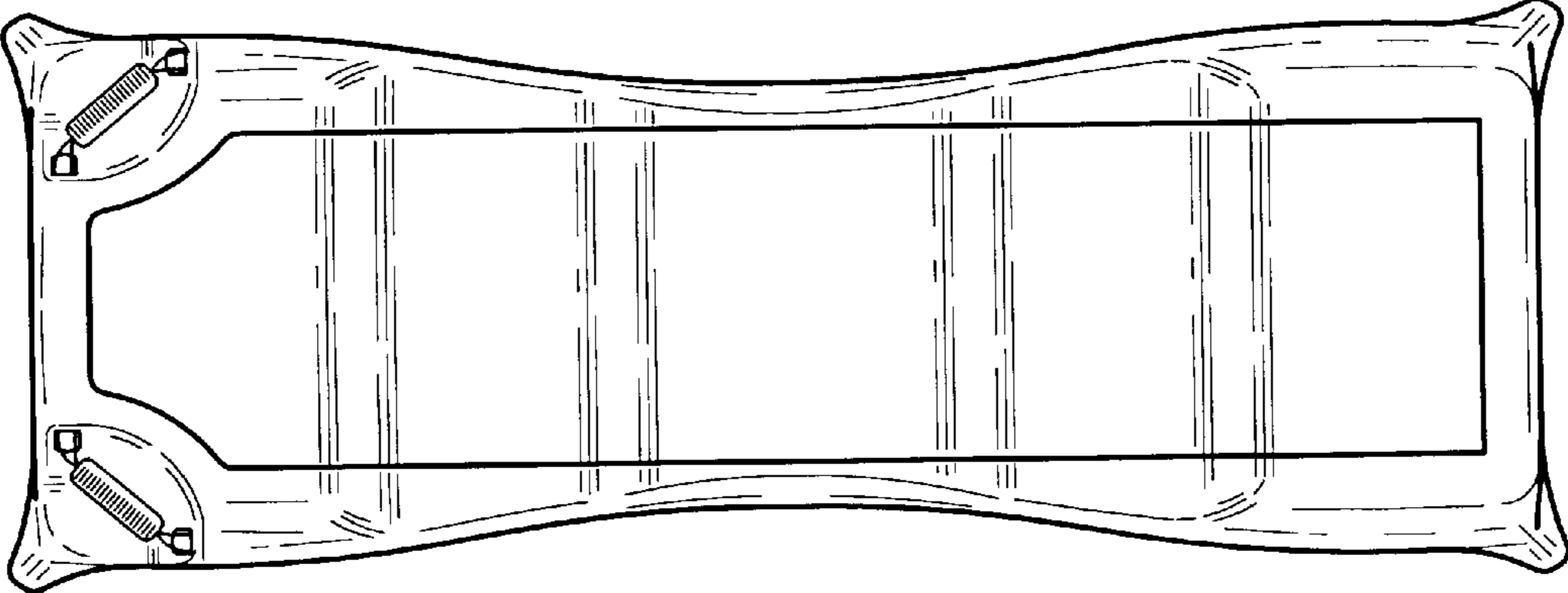


FIGURE 3

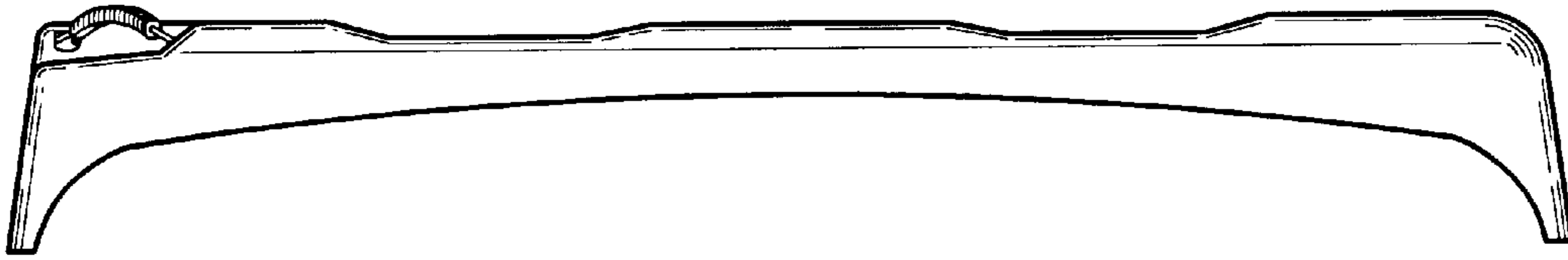


FIGURE 4

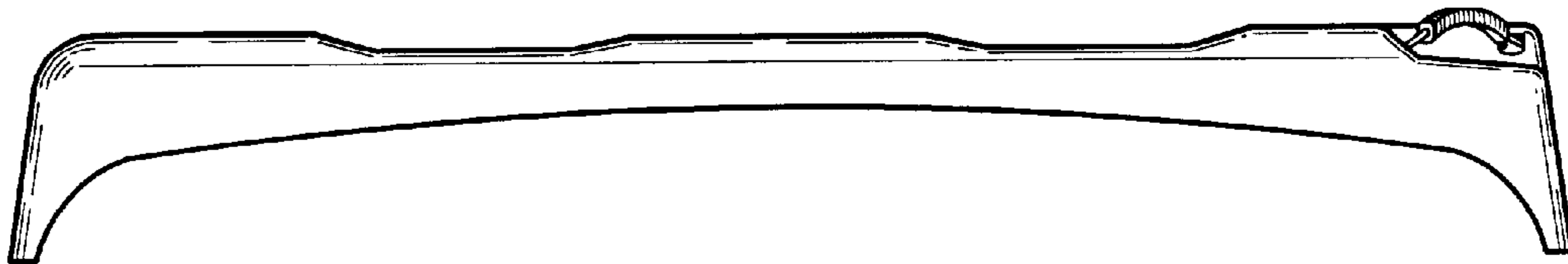


FIGURE 5

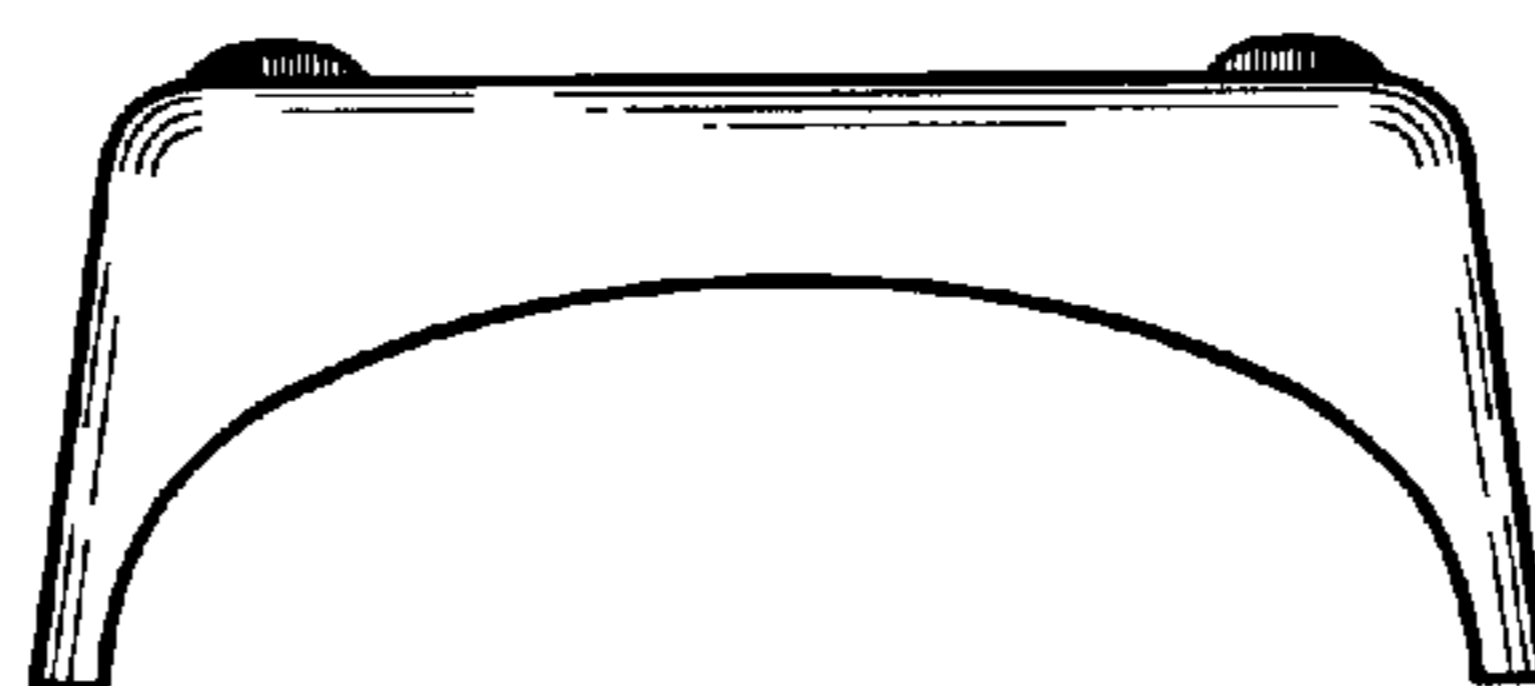


FIGURE 6

