

US00D495377S1

(12) **United States Design Patent**
Jarvis

(10) **Patent No.:** **US D495,377 S**

(45) **Date of Patent:** **** Aug. 31, 2004**

(54) **PLAYSET FOR USE WITH MODELING COMPOUND**

(75) **Inventor:** **Brian Marc Jarvis, Bristol, RI (US)**

(73) **Assignee:** **Hasbro, Inc., Pawtucket, RI (US)**

(**) **Term:** **14 Years**

(21) **Appl. No.:** **29/156,481**

(22) **Filed:** **Mar. 4, 2002**

(51) **LOC (7) Cl.** **21-01**

(52) **U.S. Cl.** **D21/468**

(58) **Field of Search** D21/398, 520,
D21/468, 529, 475, 576, 483, 577, 519,
623, 522, 659, 527, 811, 507, 509, 521;
D15/135, 136; 440/70-77, 79, 85, 86, 144,
176, 180, 337, 339, 352, 385, 296, 319,
470, 394, 479, 475, 483, 489, 490, 491;
434/81-83, 94; 425/DIG. 57

(56) **References Cited**

U.S. PATENT DOCUMENTS

3,048,941 A	*	8/1962	Shaw	446/296
3,892,510 A	*	7/1975	Math	425/173
D246,608 S	*	12/1977	Nagasaka	D21/576
4,237,647 A		12/1980	Shaw		
4,334,384 A		6/1982	Rogers et al.		
D265,664 S	*	8/1982	Orenstein	D21/475
4,383,386 A		5/1983	Giordano et al.		
4,496,510 A	*	1/1985	Hanson et al.	...	425/DIG. 57 X

4,569,815 A	*	2/1986	Rentz et al.	264/323
4,623,319 A	*	11/1986	Zaruba et al.	446/373
4,815,961 A	*	3/1989	Kindred	425/DIG. 57 X
4,867,726 A		9/1989	Fujimaki		
D358,852 S	*	5/1995	Monneret	D21/522
5,466,181 A		11/1995	Bennett et al.		
5,549,500 A	*	8/1996	Manoah	446/385
6,139,397 A	*	10/2000	Blau et al.	446/319
D451,524 S	*	12/2001	Morris	D15/135

* cited by examiner

Primary Examiner—Philip S. Hyder

Assistant Examiner—C. Tuttle

(74) *Attorney, Agent, or Firm*—Michael Best & Friedrich LLP

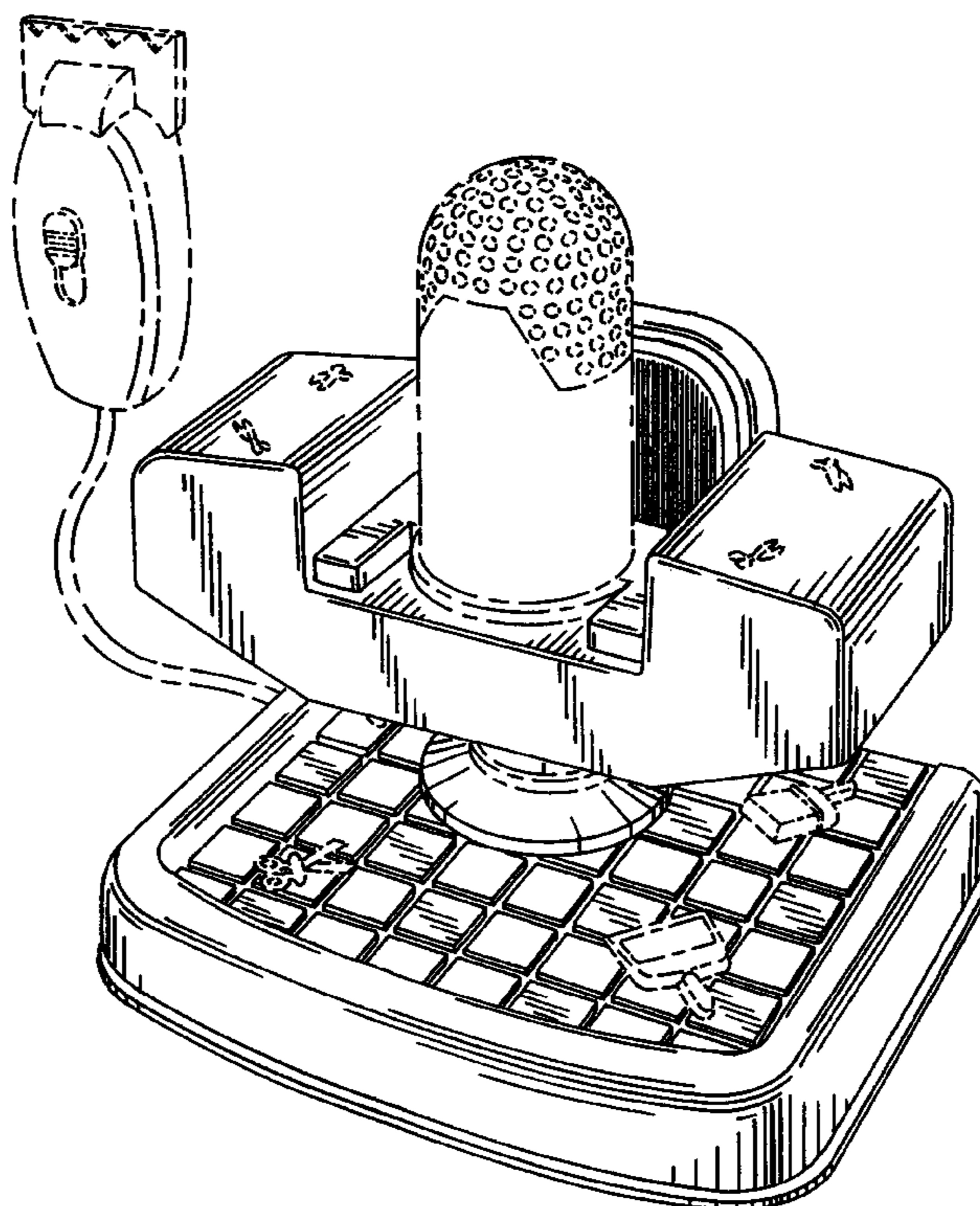
(57) **CLAIM**

The ornamental design for a playset for use with modeling compound, as shown.

DESCRIPTION

FIG. 1 is a perspective view of the playset for use with modeling compound of the instant invention; FIG. 2 is a front elevational view thereof; FIG. 3 is a rear elevational view thereof; FIG. 4 is a top plan view thereof; FIG. 5 is a bottom plan view thereof; FIG. 6 is a left side elevational view thereof; and, FIG. 7 is a right side elevational view thereof. The portions shown in broken lines are for illustrative purposes only and form no part of the claimed design.

1 Claim, 4 Drawing Sheets



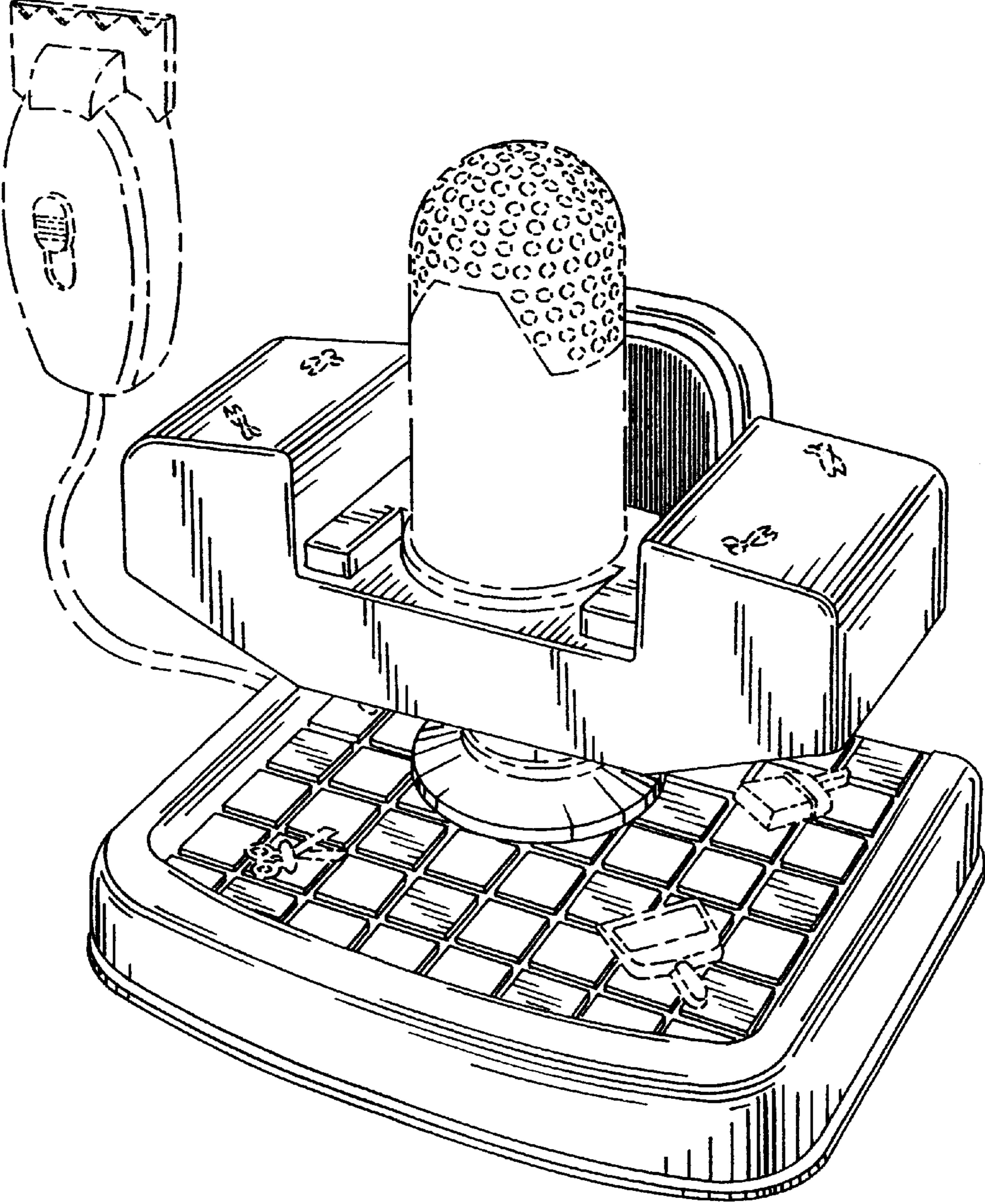


FIG. 1

FIG. 2

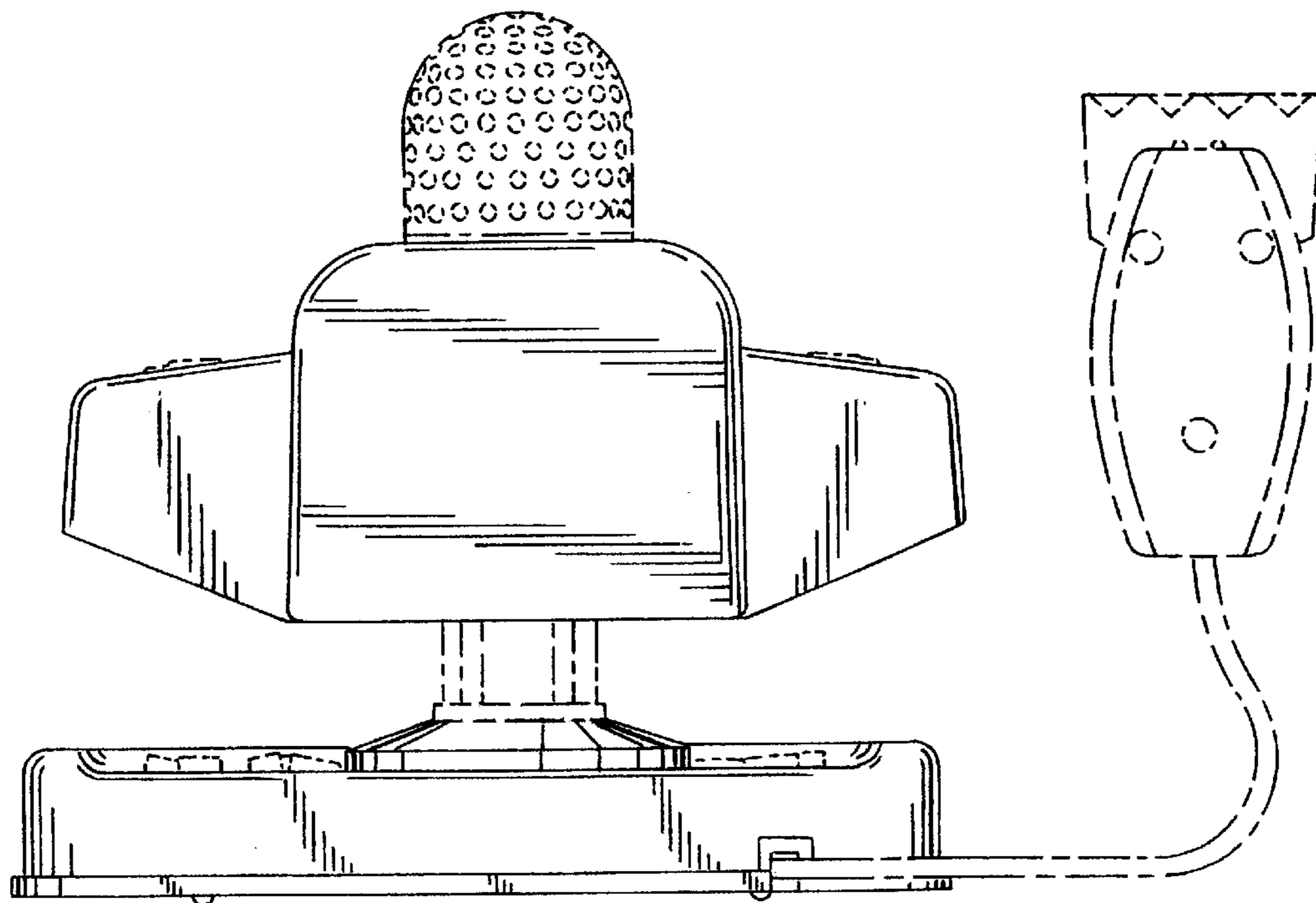
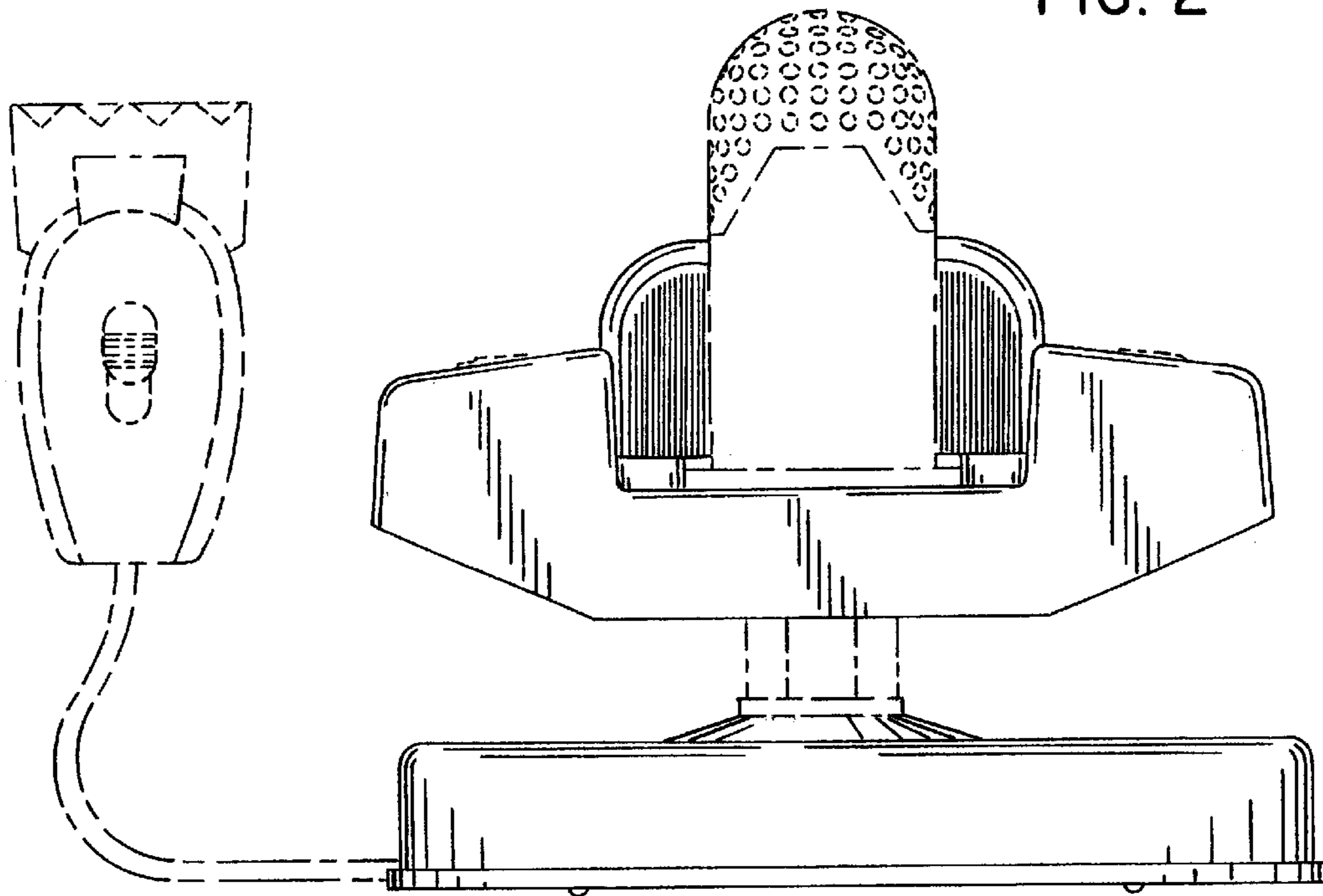
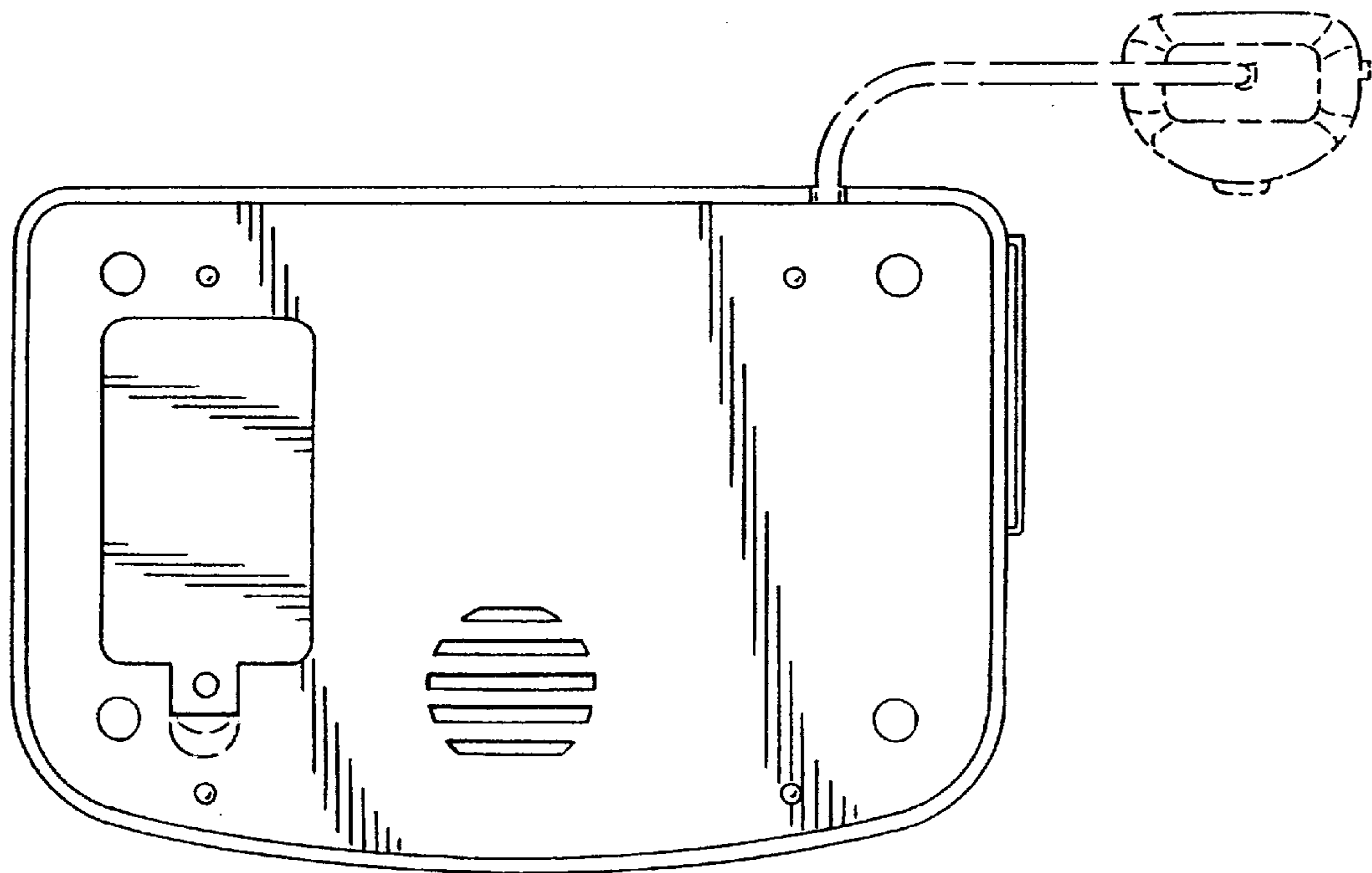
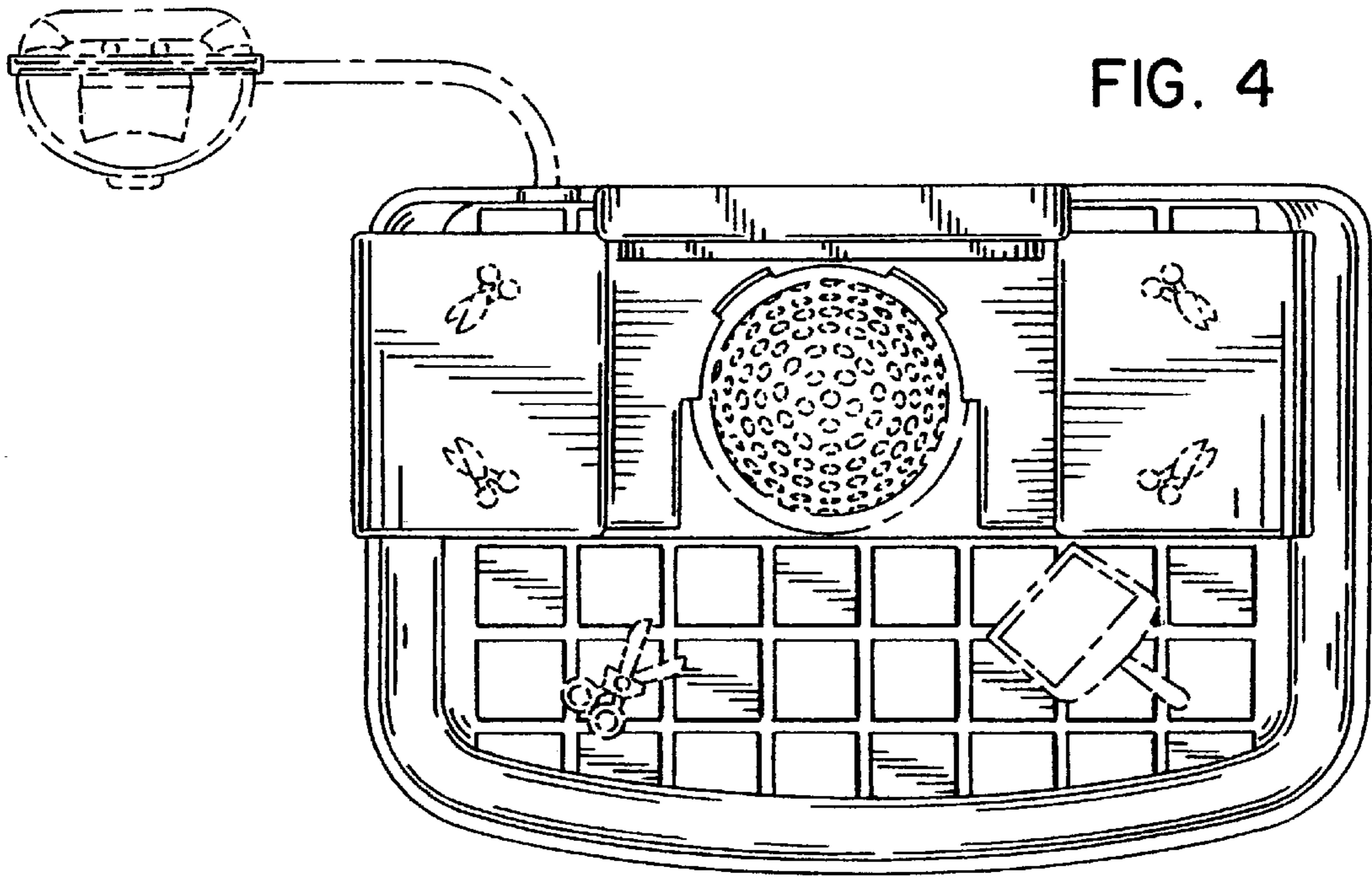


FIG. 3



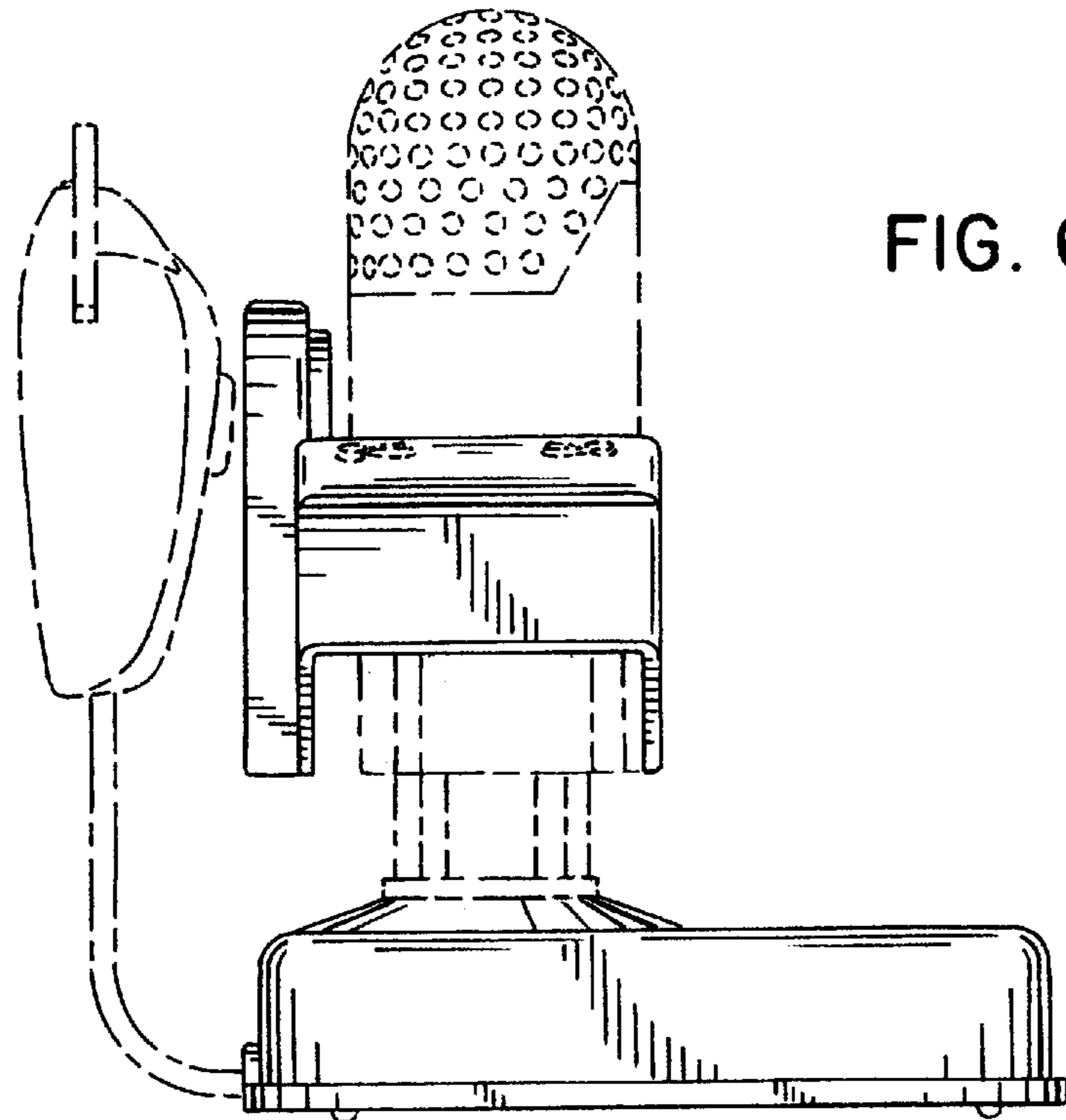


FIG. 6

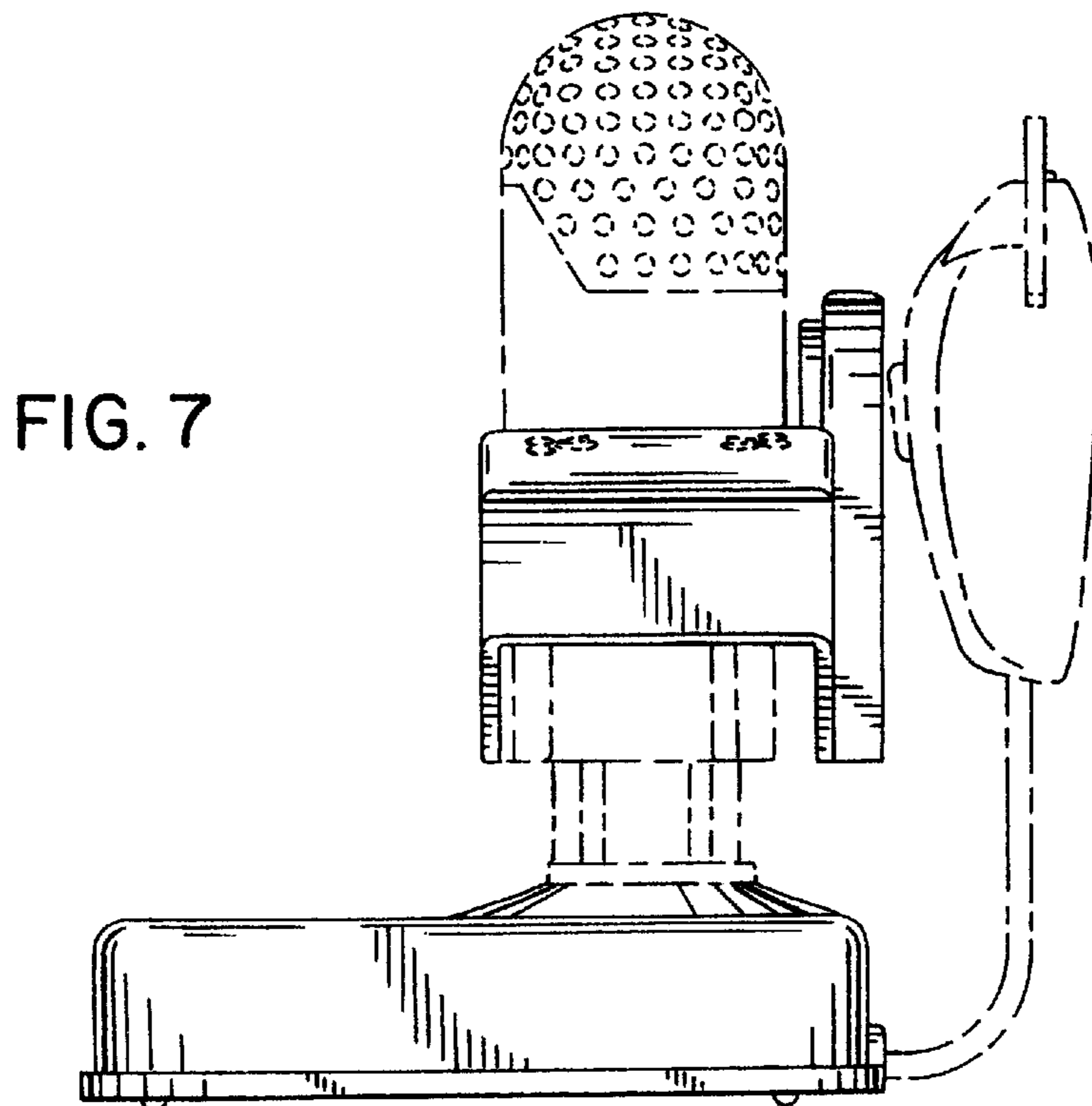


FIG. 7