

US00D495376S1

(12) **United States Design Patent** (10) **Patent No.:** **US D495,376 S**  
**Zee** (45) **Date of Patent:** **\*\* Aug. 31, 2004**

(54) **TOY AIRPLANE**

(75) **Inventor:** **Franklin Zee**, c/o Zelix International Ltd., 2-6 Granville road Albion Plaza 11/F Room 1105, Tsimshatsui, Kowloon (HK)

(73) **Assignee:** **Franklin Zee**, Tsimshatsui (HK)

(\*\*) **Term:** **14 Years**

(21) **Appl. No.:** **29/196,347**

(22) **Filed:** **Dec. 24, 2003**

(51) **LOC (7) Cl.** ..... **21-01**

(52) **U.S. Cl.** ..... **D21/450**

(58) **Field of Search** ..... D21/447-450, D21/453; D12/319-345; 446/30-45, 56-68, 211, 230-232

(56) **References Cited**

**U.S. PATENT DOCUMENTS**

2,896,370 A	*	7/1959	Witt, Jr.	446/61
D201,284 S	*	6/1965	Bross	D21/450
4,842,222 A	*	6/1989	Baird	224/155 R
4,863,412 A	*	9/1989	Mihalinec	446/66
D311,514 S	*	10/1990	Sano et al.	D12/337
5,035,382 A	*	7/1991	Lissaman et al.	244/190
D325,021 S	*	3/1992	Mouton, Jr.	D12/324
5,423,706 A	*	6/1995	Chase	446/62

5,749,761 A	*	5/1998	Kim	446/60
D406,618 S	*	3/1999	Harada	D21/450
D430,529 S	*	9/2000	Hajek	D12/321
D459,407 S	*	6/2002	Wang	D21/445
6,520,823 B2	*	2/2003	Tian et al.	446/57

**OTHER PUBLICATIONS**

U.S. patent application Ser. No. 29/187285, Franklin Zee.

\* cited by examiner

*Primary Examiner*—Philip S. Hyder

*Assistant Examiner*—C. Tuttle

(74) *Attorney, Agent, or Firm*—Lewis Brisbois Bisgaard & Smith LLP

(57) **CLAIM**

The ornamental design for a toy airplane, as shown and described.

**DESCRIPTION**

FIG. 1 is a perspective view of the toy airplane, showing my new design;

FIG. 2 is a top plan view of the toy airplane;

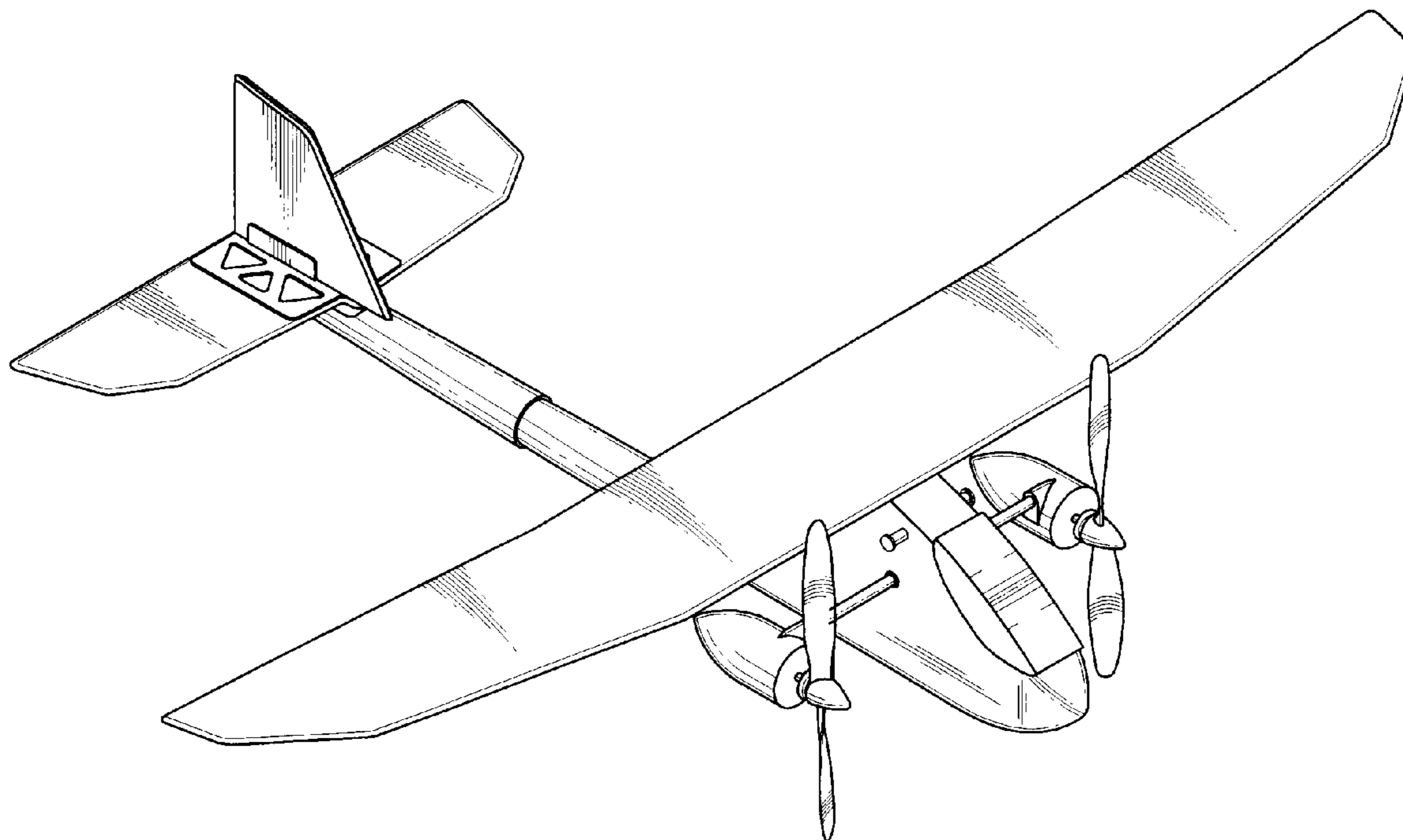
FIG. 3 is a front elevational view of the toy airplane;

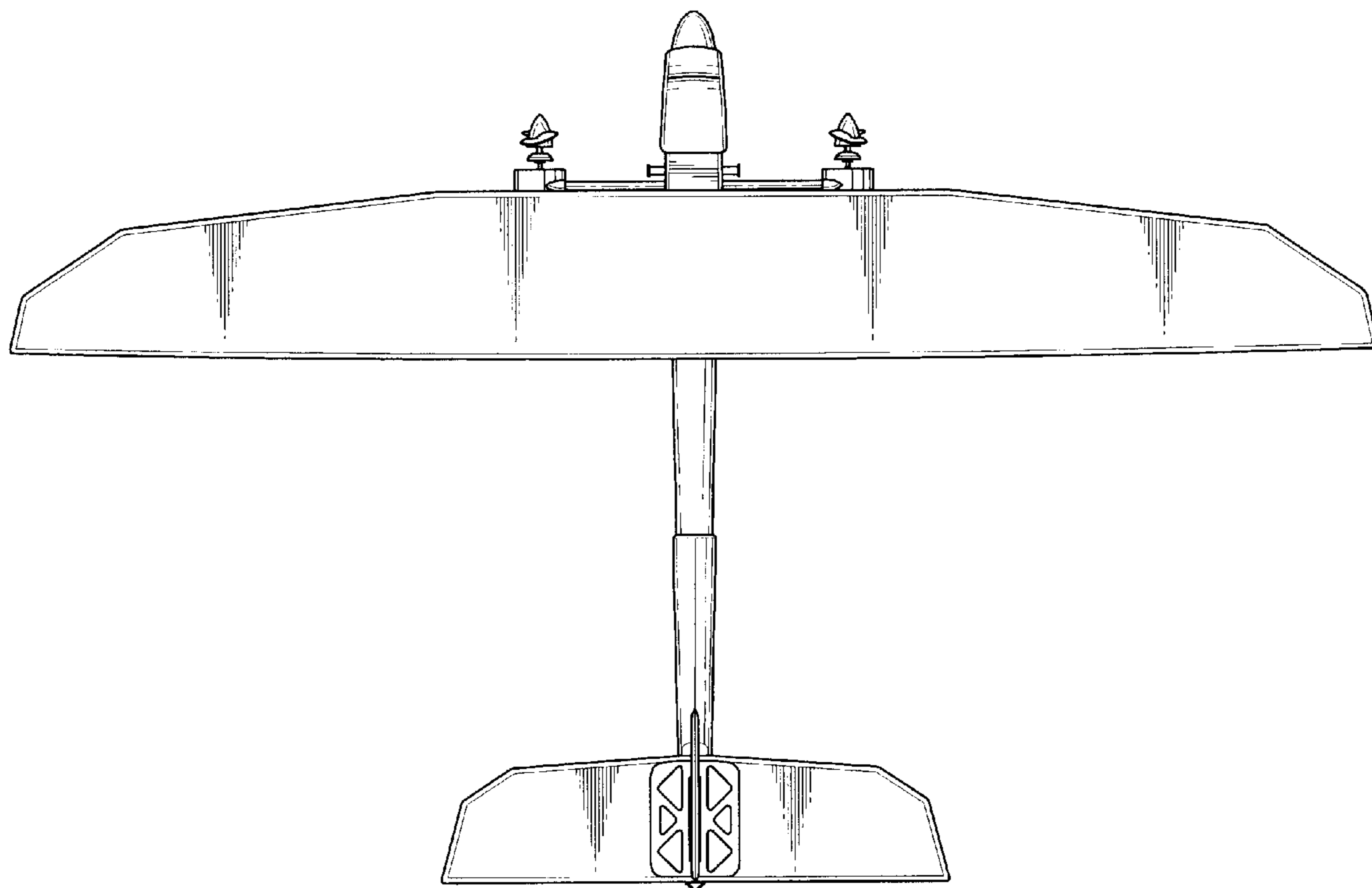
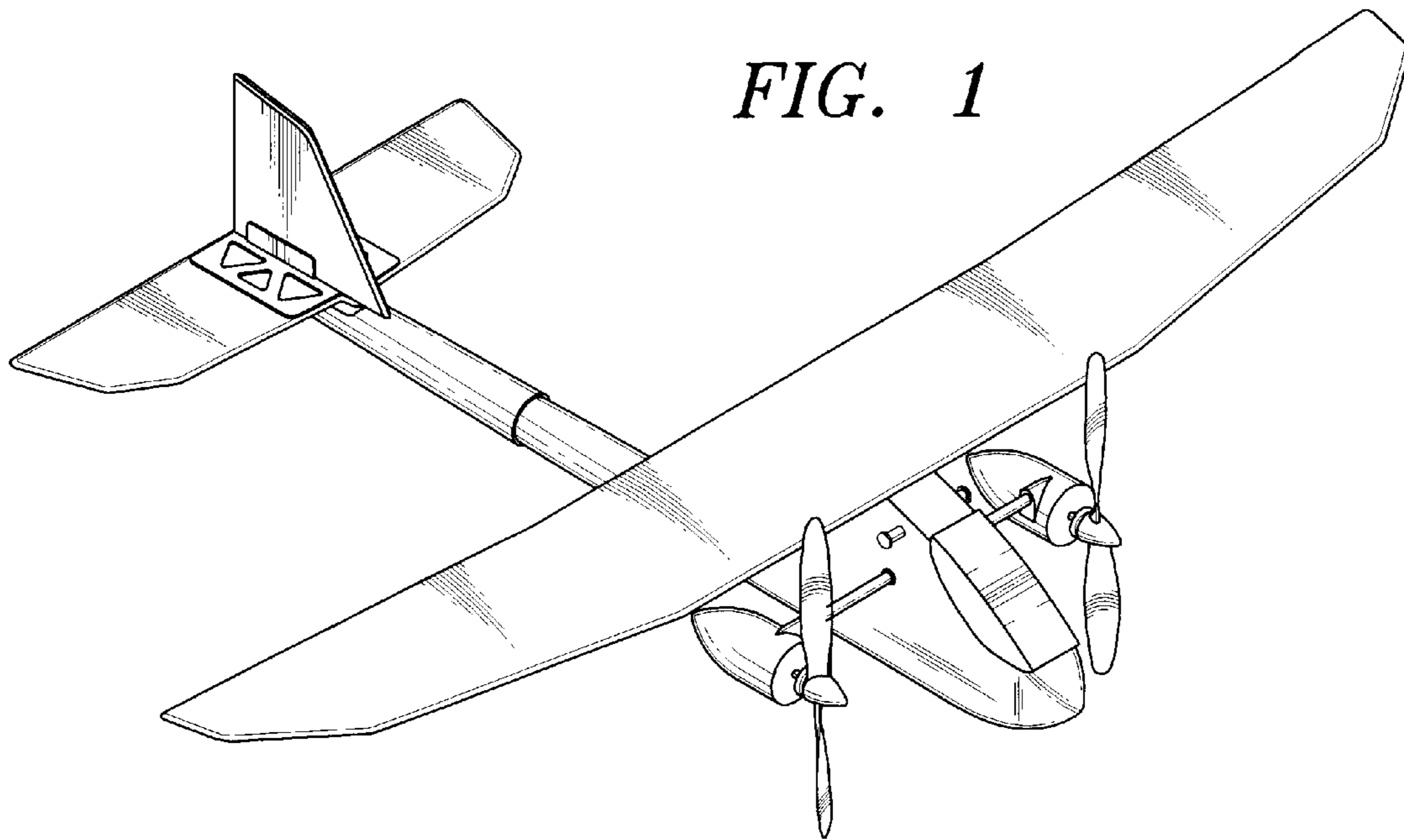
FIG. 4 is a bottom plan view of the airplane;

FIG. 5 is a side elevational view of the airplane; and,

FIG. 6 is rear elevational view of the airplane.

**1 Claim, 2 Drawing Sheets**





*FIG. 2*

