

US00D495367S1

(12) **United States Design Patent** (10) **Patent No.:** **US D495,367 S**
Stravitz (45) **Date of Patent:** **** Aug. 31, 2004**

(54) **ORGANIZER**

(76) Inventor: **David M. Stravitz**, 16 Park Ave.-Suite 14A, New York, NY (US) 10016

(**) Term: **14 Years**

(21) Appl. No.: **29/193,863**

(22) Filed: **Nov. 14, 2003**

(51) **LOC (7) Cl.** **19-06**

(52) **U.S. Cl.** **D19/75; D19/78; D19/90**

(58) **Field of Search** D19/35, 36, 65, D19/75, 77, 78, 81-85, 86, 90, 91, 92, 95, 99, 100; 206/214, 224, 371; 211/10, 11, 13.1, 69.1-69.9, 50, 55, 126.13

(56) **References Cited**

U.S. PATENT DOCUMENTS

D148,431 S	*	1/1948	Lund	D19/78 X
D185,130 S	*	5/1959	Camilli	D19/90
D270,256 S	*	8/1983	Sankey	D19/77
D290,852 S	*	7/1987	Wang	D19/75
D323,854 S	*	2/1992	Evenson	D19/90
D330,047 S	*	10/1992	Evenson	D19/78
5,823,359 A	*	10/1998	Harris et al.	211/11
D401,627 S	*	11/1998	Markelz	D19/78
D411,860 S	*	7/1999	Stravitz	D19/75
D477,848 S	*	7/2003	Chen	D19/78

OTHER PUBLICATIONS

U.S. patent application Ser. No. 29/196,935, David M. Stravitz, filed Jan. 6, 2004; Organizer.

* cited by examiner

Primary Examiner—Martie K. Holtje

(74) *Attorney, Agent, or Firm*—Frishauf, Holtz, Goodman & Chick, P.C.

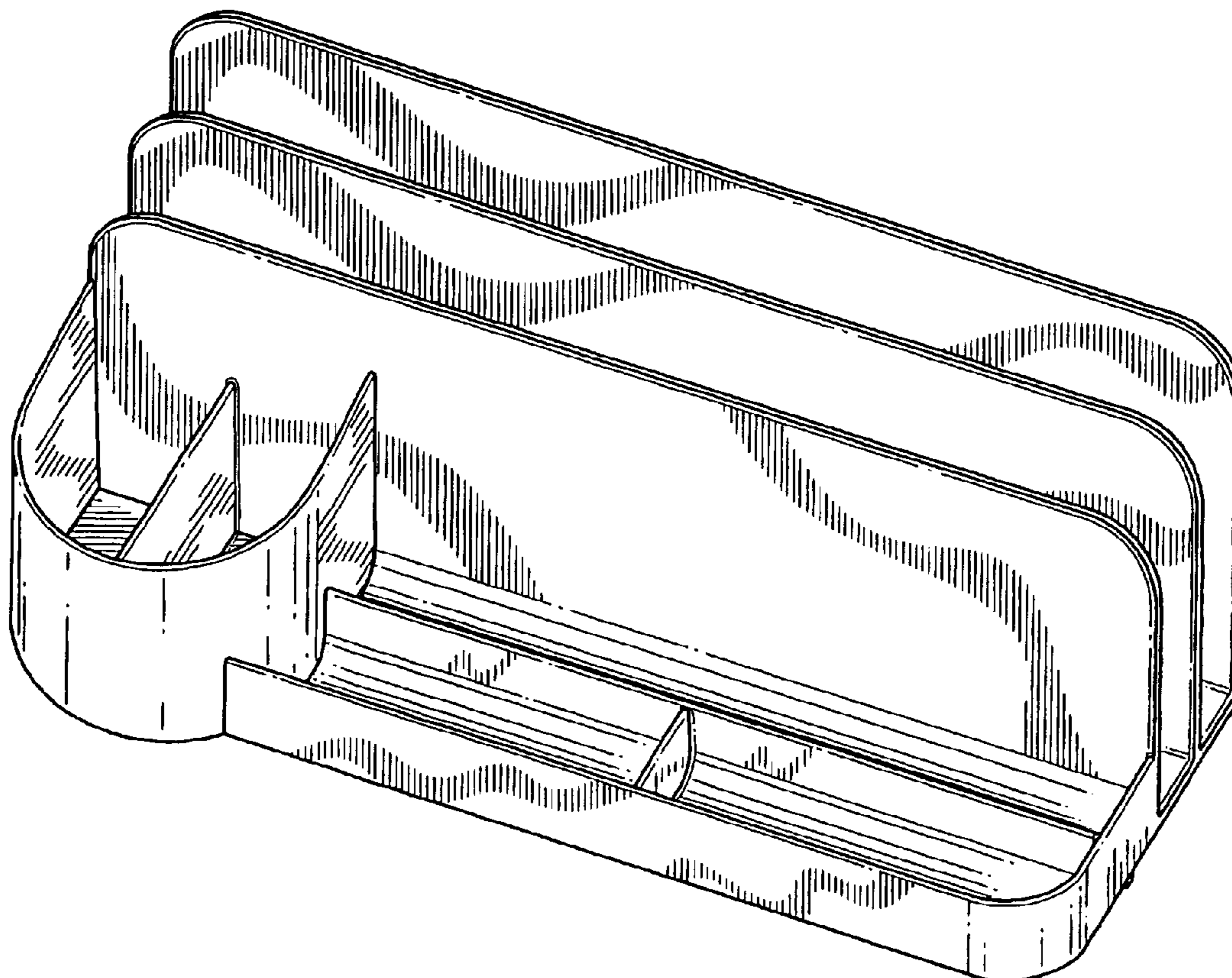
(57) **CLAIM**

The ornamental design for an organizer, as shown and described.

DESCRIPTION

FIG. 1 is a front, top, right-side perspective view of an organizer showing my new design;
 FIG. 2 is a front elevational view thereof;
 FIG. 3 is a top plan view thereof;
 FIG. 4 is a rear elevational view thereof;
 FIG. 5 is a bottom plan view thereof;
 FIG. 6 is a left side view thereof;
 FIG. 7 is a right side view thereof;
 FIG. 8 is rear, top, left side perspective view thereof;
 FIG. 9 is a bottom, front, right side perspective view thereof;
 and,
 FIG. 10 is bottom plan view of a modified embodiment with a flat bottom surface, the other views thereof being the same as shown in FIGS. 1, 2, 3, 4, 6, 7 and 8, respectively.

1 Claim, 6 Drawing Sheets



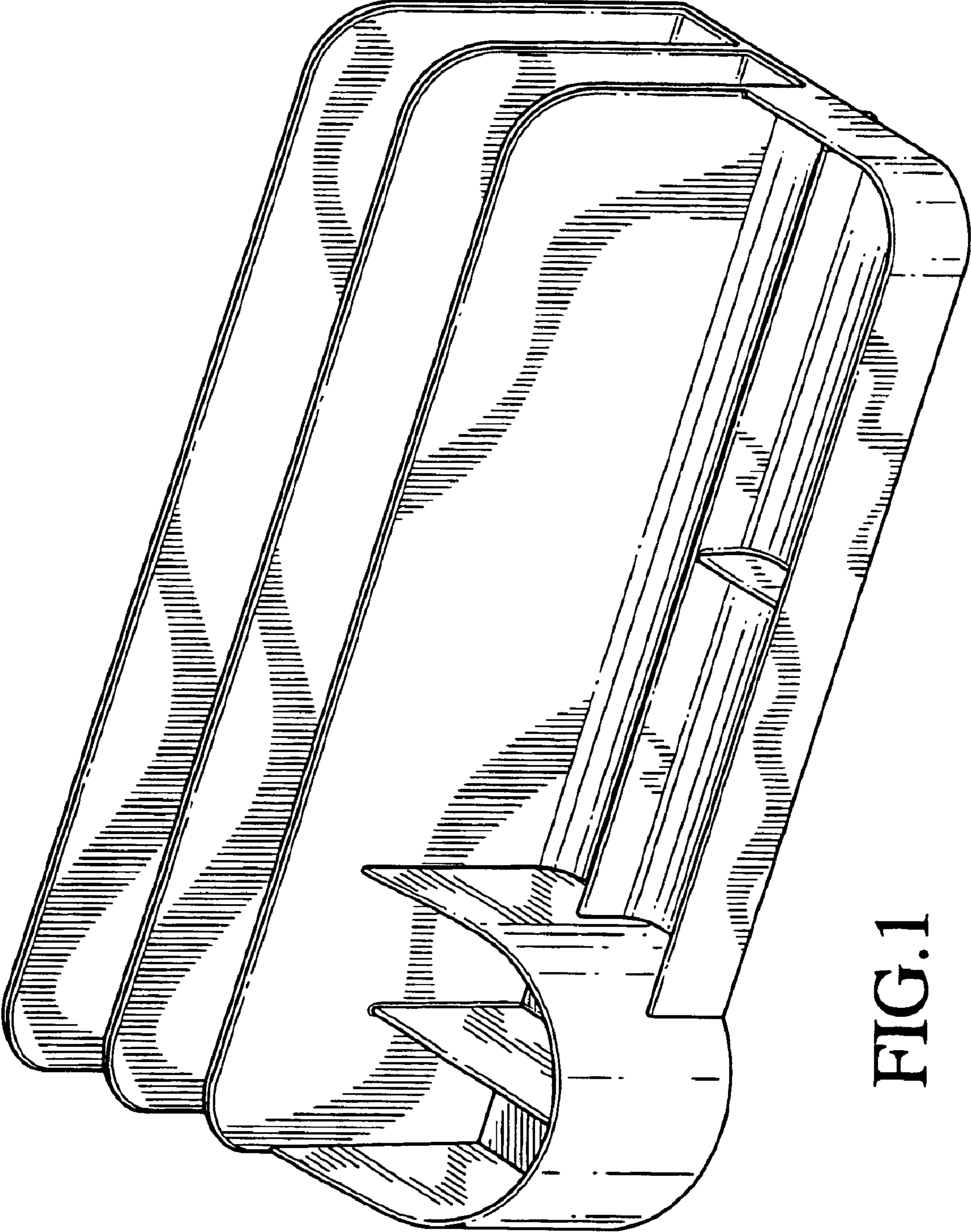


FIG. 1

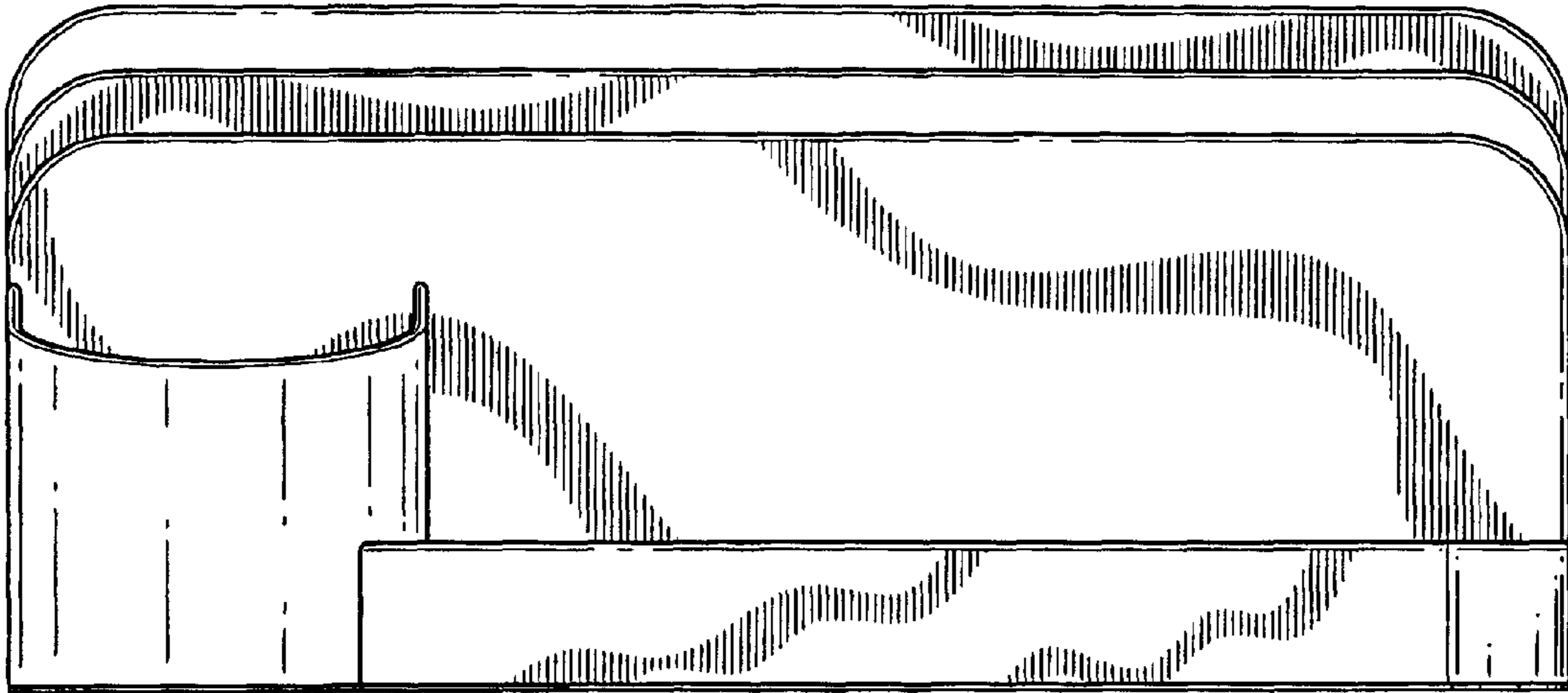


FIG. 2

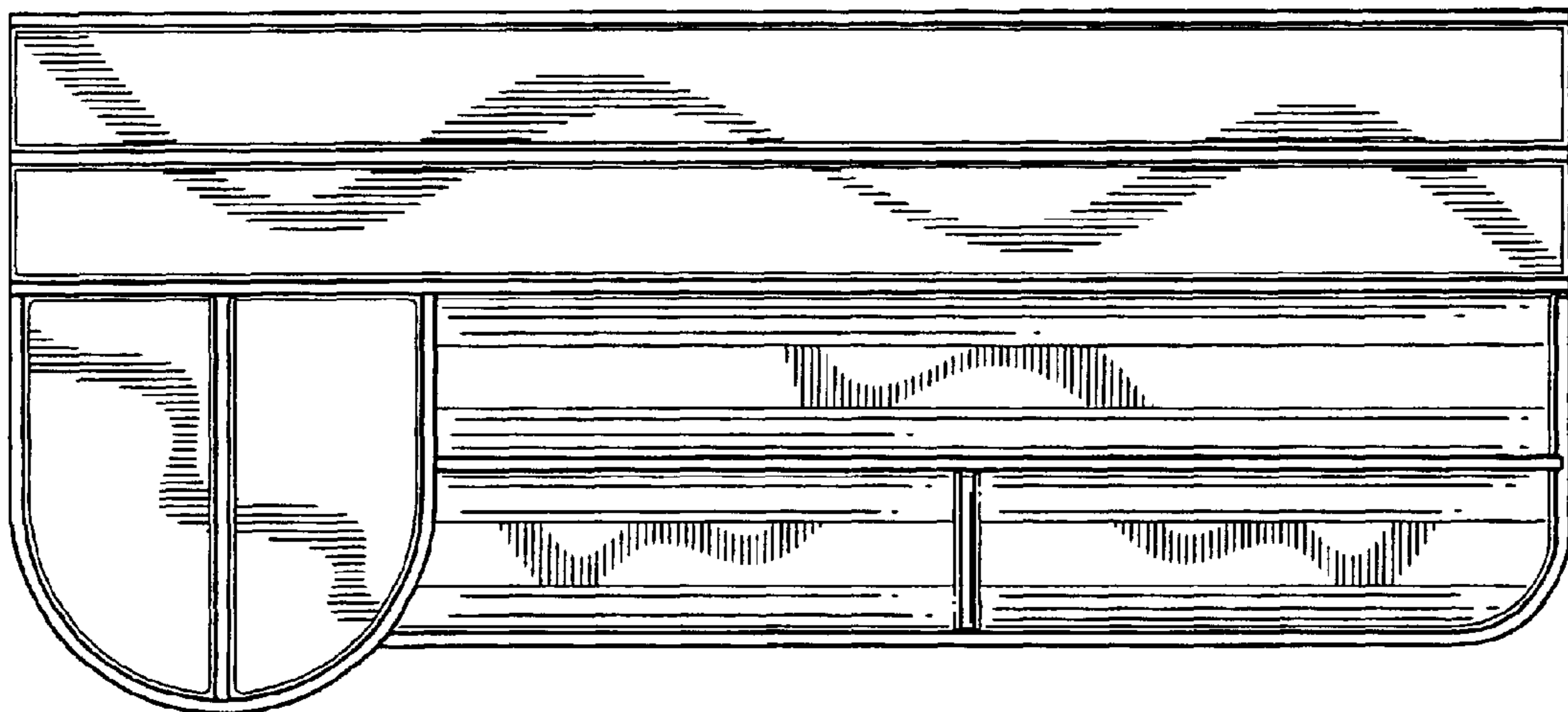


FIG. 3

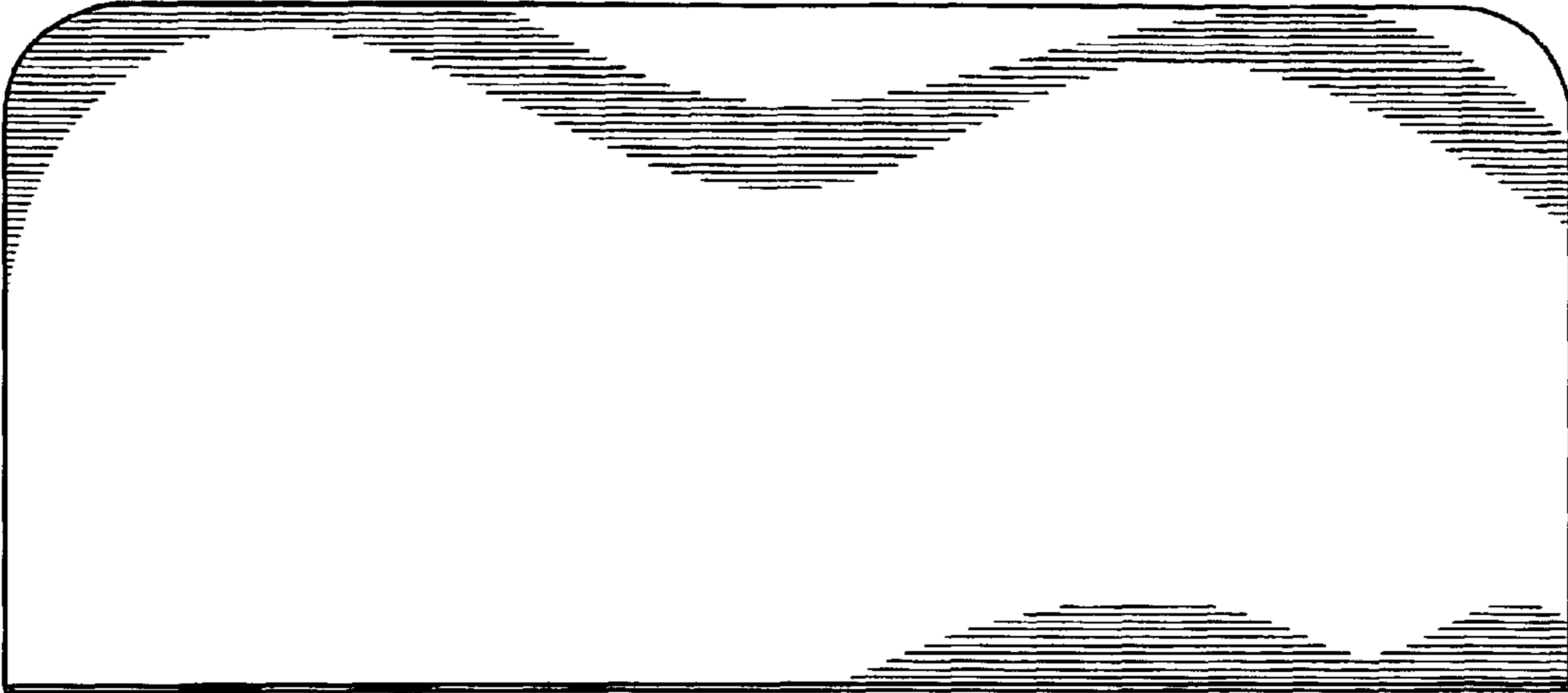


FIG. 4

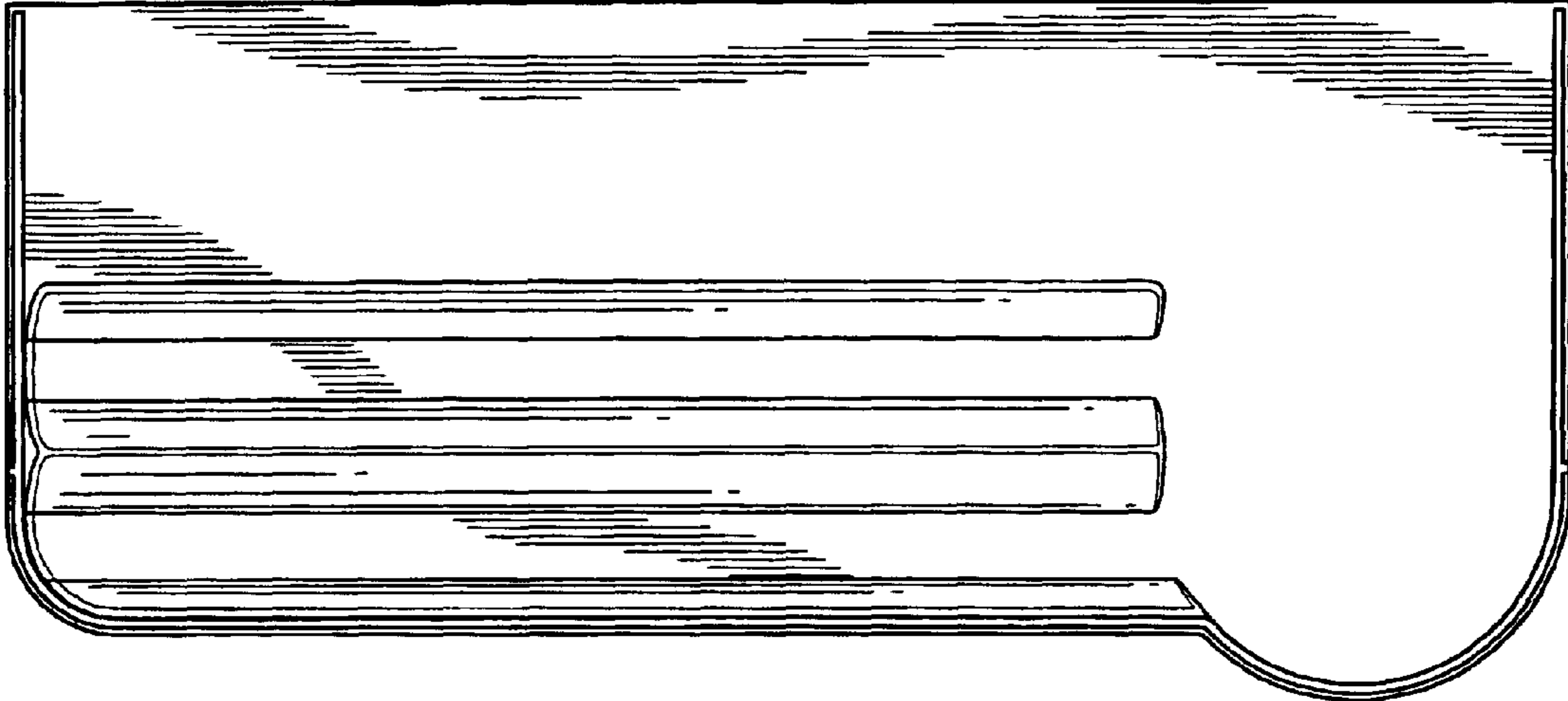


FIG. 5

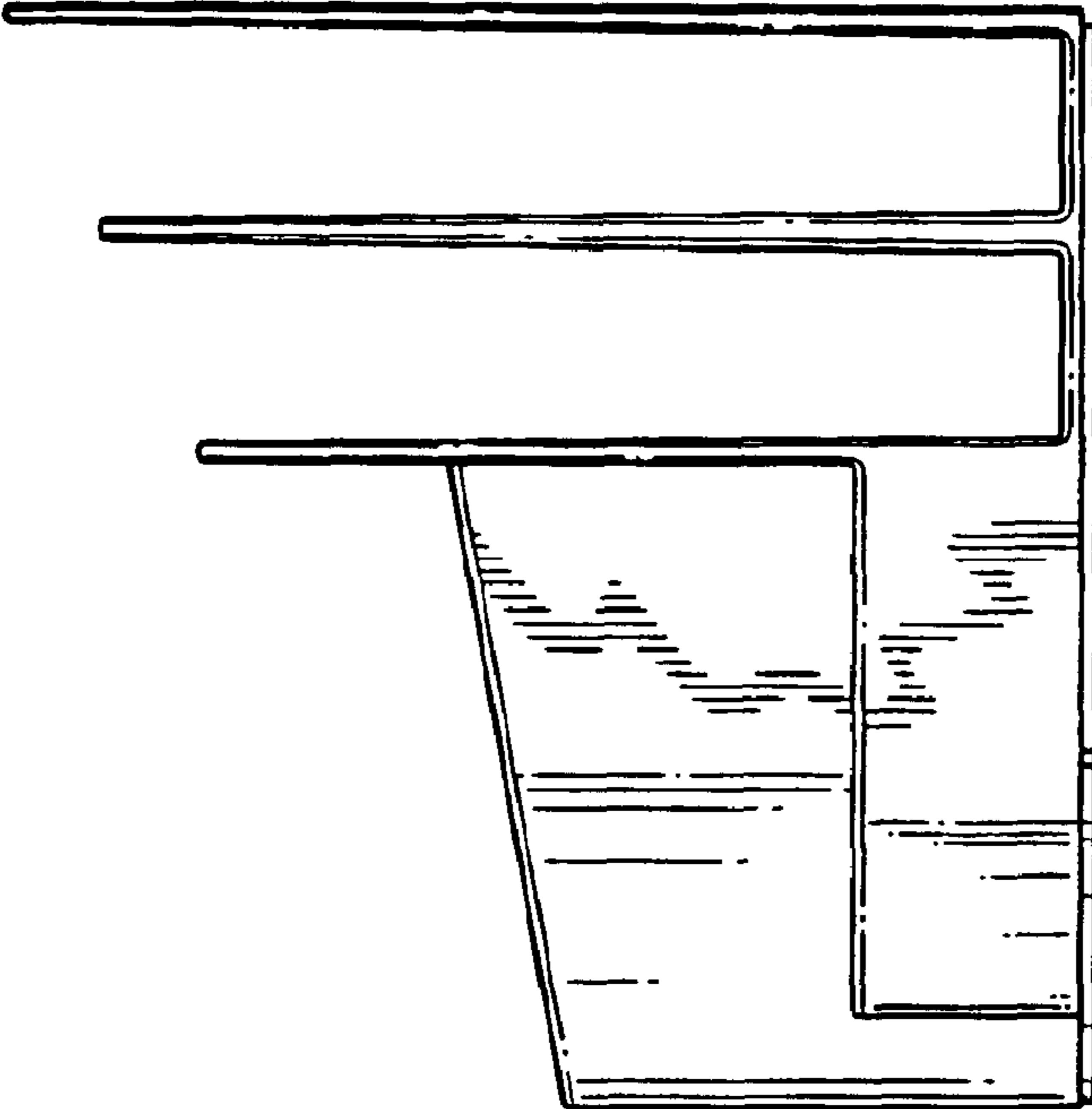


FIG. 7

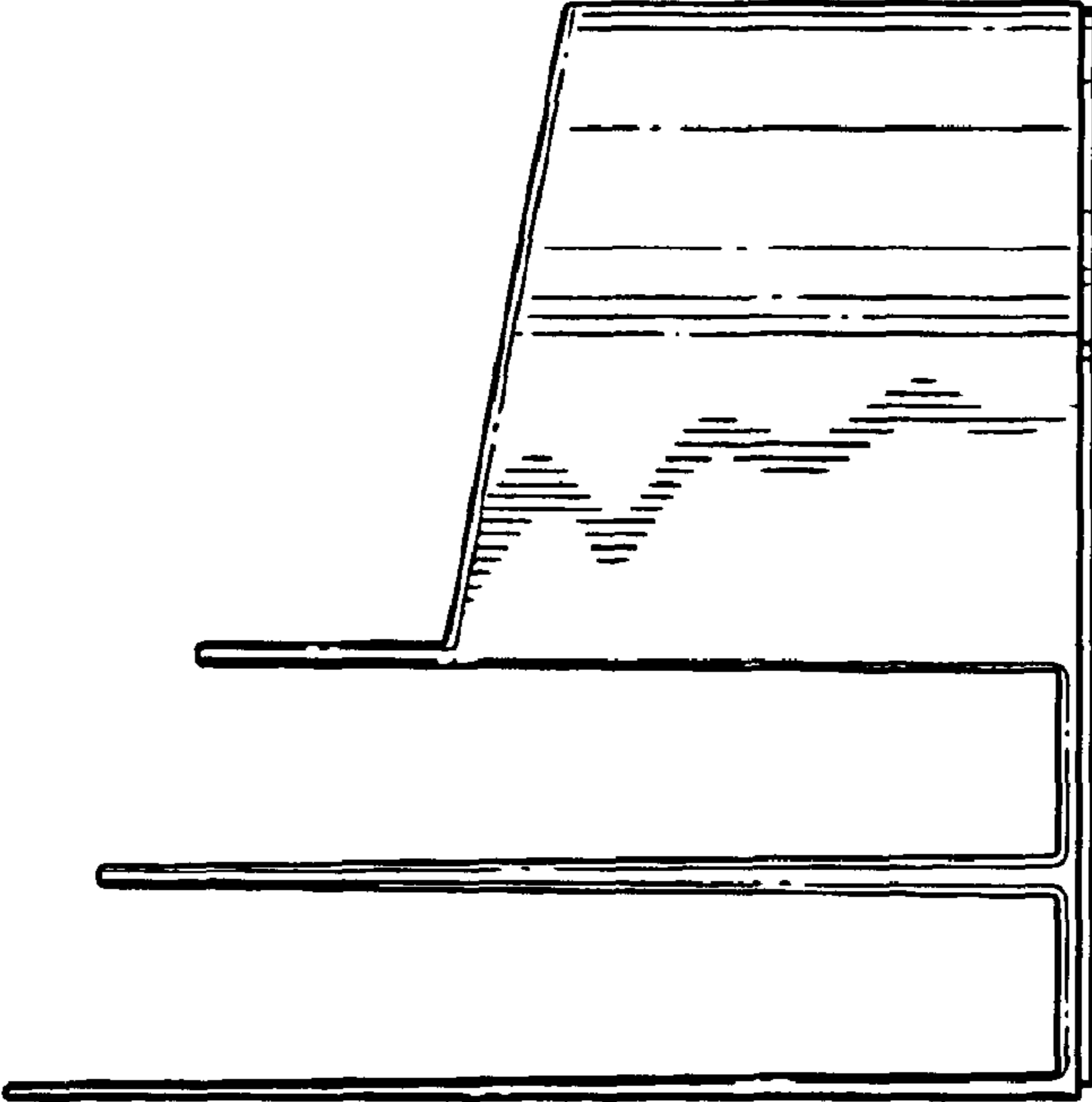


FIG. 6

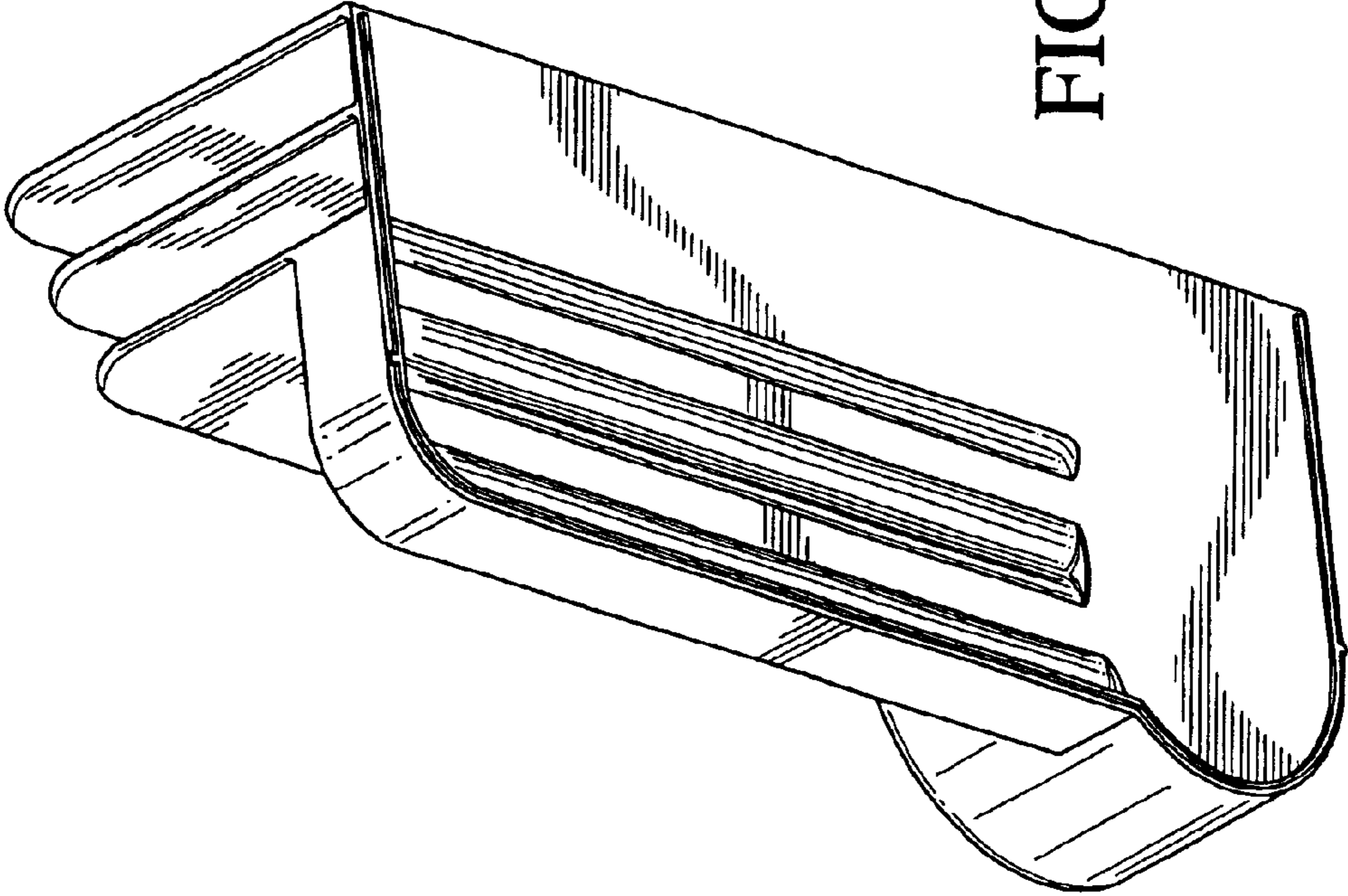


FIG. 9

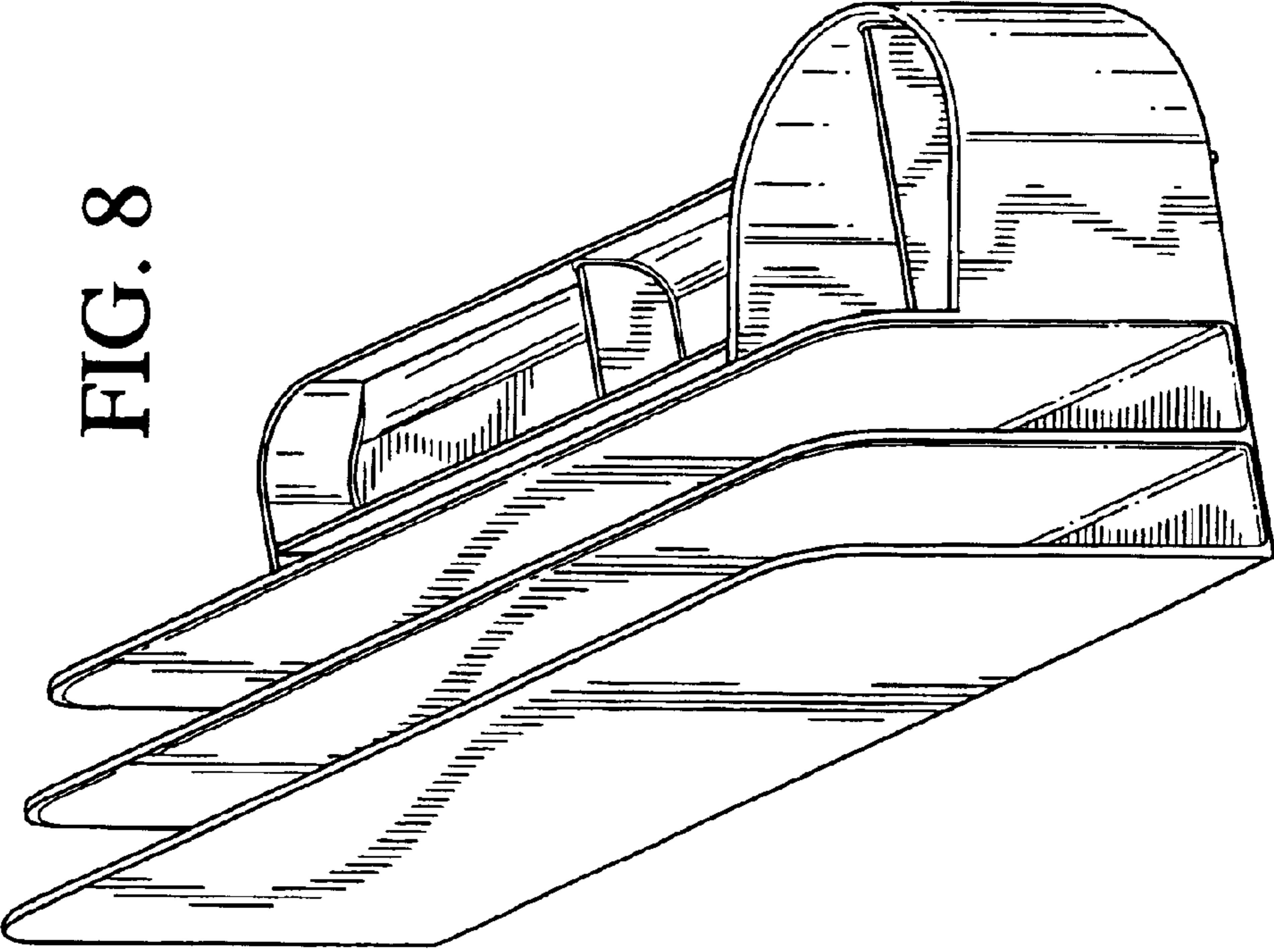


FIG. 8

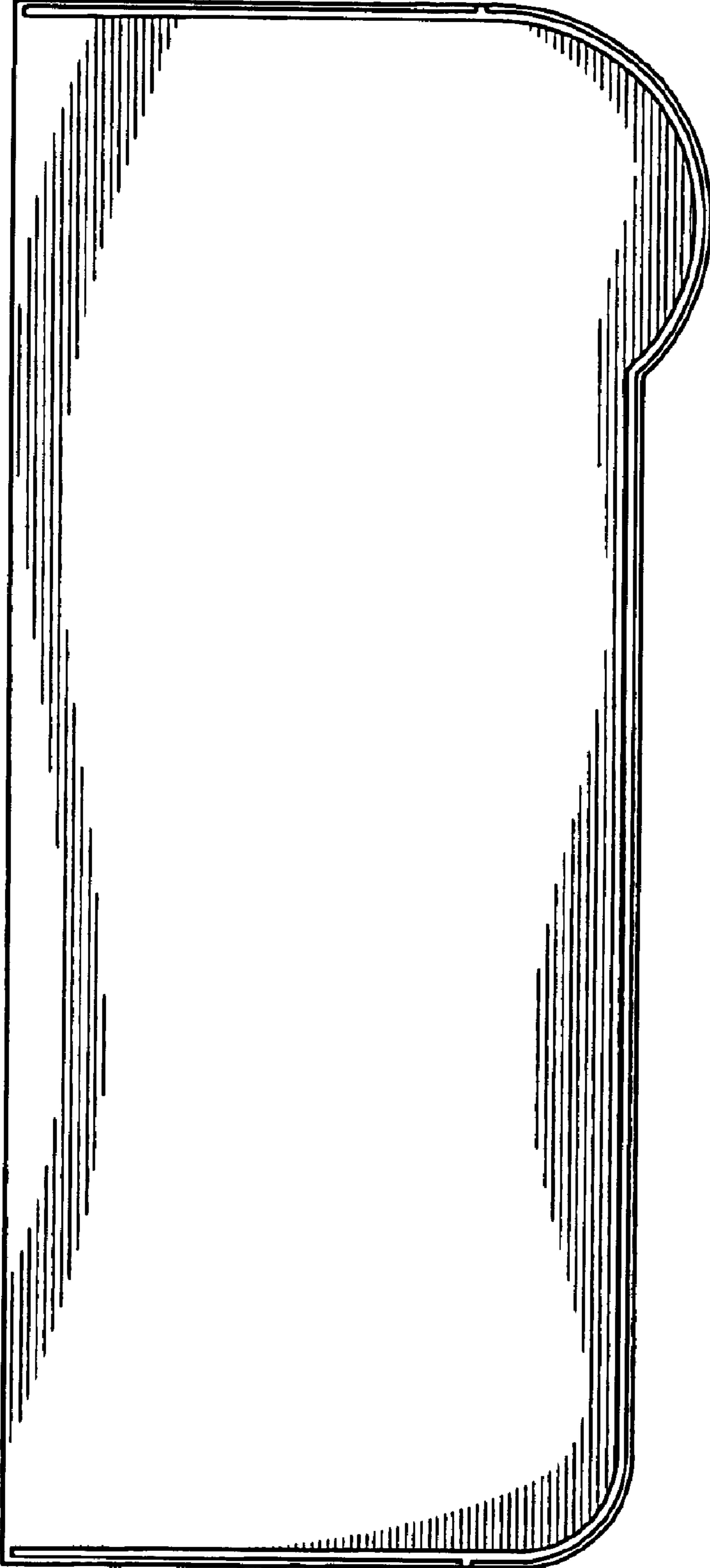


FIG. 10