

US00D495365S1

(12) **United States Design Patent** (10) **Patent No.:** **US D495,365 S**  
**Cetera** (45) **Date of Patent:** **\*\* Aug. 31, 2004**

- (54) **PEN**
- (75) **Inventor:** **Carl Cetera**, Tenafly, NJ (US)
- (73) **Assignee:** **Cotapaxi Inc.**, Englewood, NJ (US)
- (\*\*) **Term:** **14 Years**
- (21) **Appl. No.:** **29/197,501**
- (22) **Filed:** **Jan. 14, 2004**
- (51) **LOC (7) Cl.** ..... **19-06**
- (52) **U.S. Cl.** ..... **D19/51; D19/55; D19/56**
- (58) **Field of Search** ..... **D19/35, 36, 41-51, D19/53-58, 81-85; 401/6, 7, 88, 99, 100-102, 103-106, 107-110, 111-117, 209; 24/11 P, 11 PP, 10 R, 11 R, 11 HC**

(56) **References Cited**

**U.S. PATENT DOCUMENTS**

D336,491 S	*	6/1993	Vitrac	.....	D19/43
D448,805 S	*	10/2001	Willat et al.	.....	D19/55
D456,845 S	*	5/2002	Rommel	.....	D19/49
D458,306 S	*	6/2002	Moon	.....	D19/51
D475,406 S	*	6/2003	Cetera	.....	D19/48
D475,741 S	*	6/2003	Cetera	.....	D19/51

\* cited by examiner

*Primary Examiner*—Martie K. Holtje

(74) *Attorney, Agent, or Firm*—Brian Carpenter

(57) **CLAIM**

The ornamental design for a pen, as shown and described.

**DESCRIPTION**

FIG. 1 is a front / right perspective view of the first embodiment of a pen;

FIG. 2 is a rear / right perspective view of the first embodiment of the pen of FIG. 1;

FIG. 3 is a top elevational view of the first embodiment of the pen of FIG. 1;

FIG. 4 is a right side elevational view of the first embodiment of the pen of FIG. 1;

FIG. 5 is a bottom elevational view of the first embodiment of the pen of FIG. 1; and;

FIG. 6 is a front / right perspective view of a further embodiment of a pen;

FIG. 7 is a rear / right perspective view of the further embodiment of the pen of FIG. 6;

FIG. 8 is a top elevational view of the further embodiment of the pen of FIG. 6;

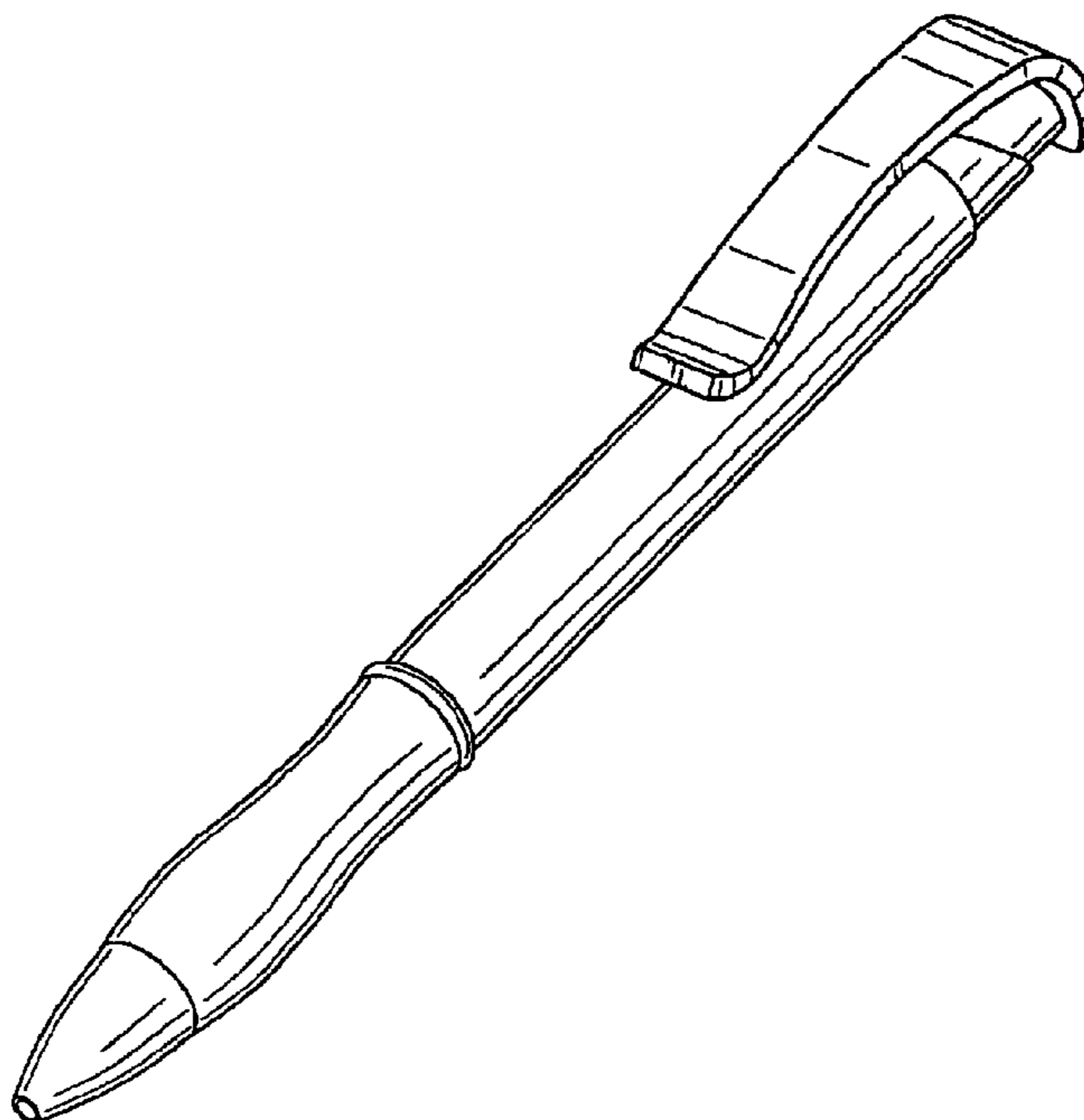
FIG. 9 is a right side elevational view of the further embodiment of the pen of FIG. 6; and,

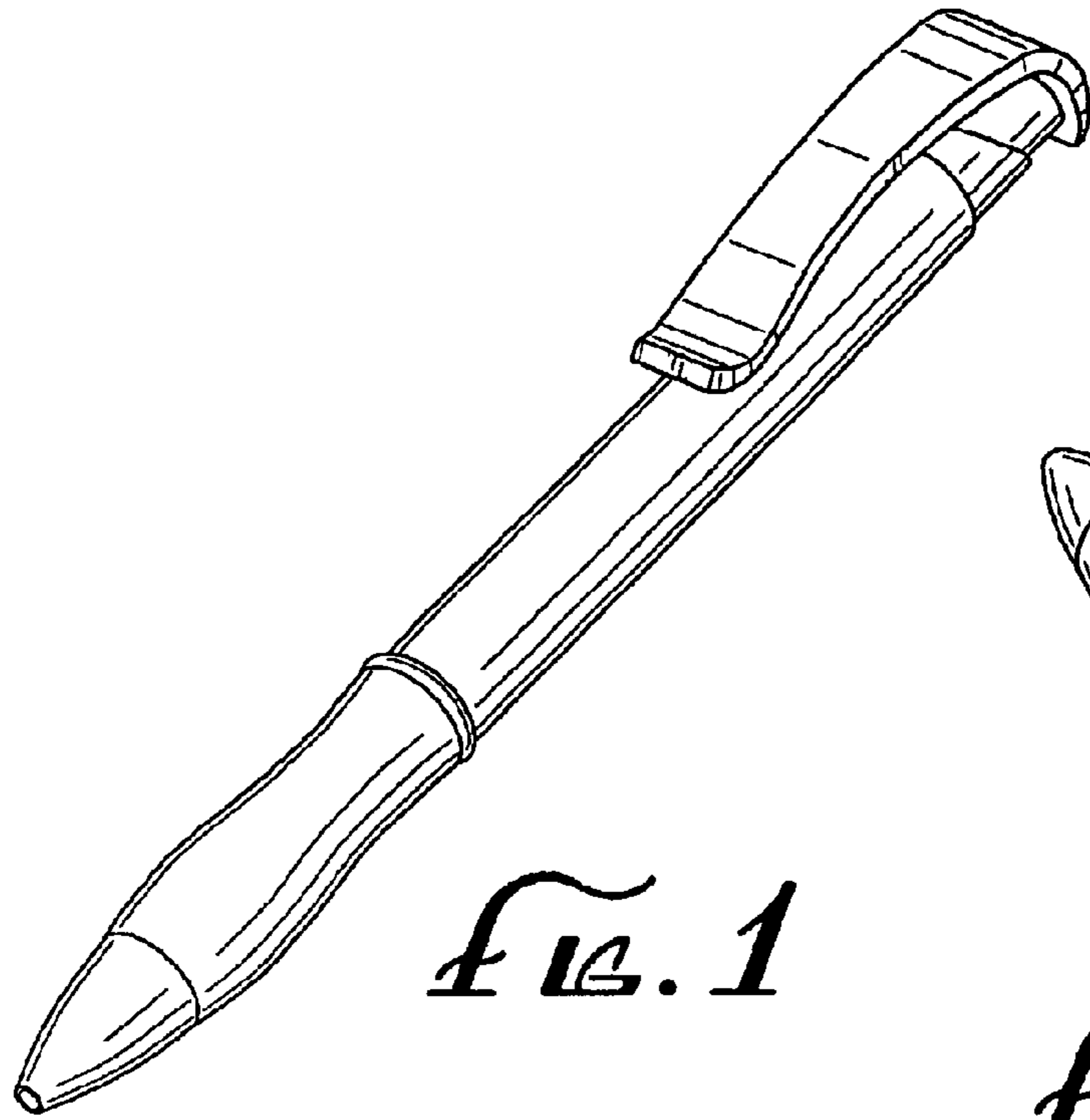
FIG. 10 is a bottom elevational view of the further embodiment of the pen of FIG. 6.

The left side elevational view of the first embodiment of the pen of FIG. 1 is a mirror image of the right side elevation view shown in FIG. 4.

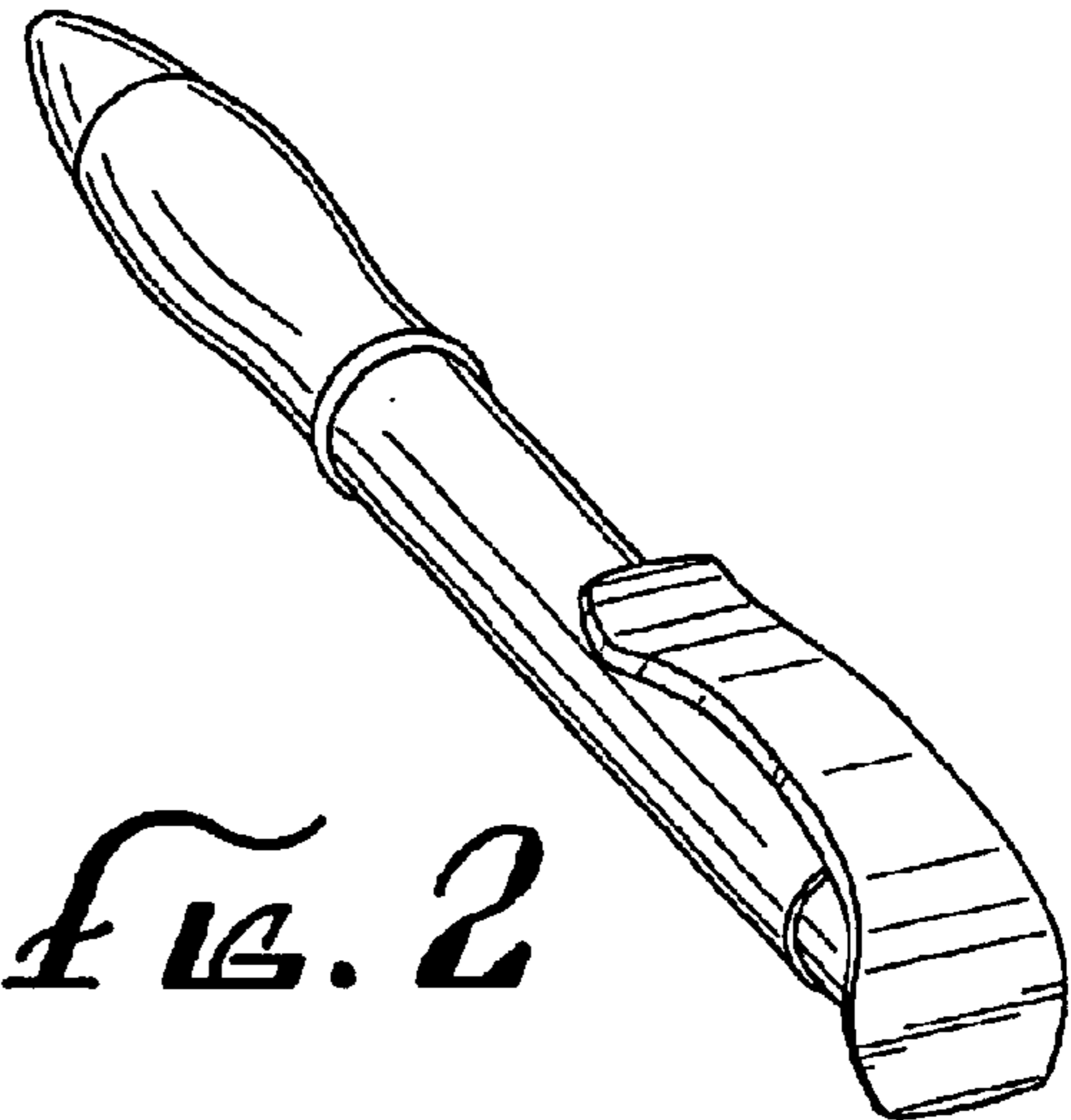
The left side elevational view of the further embodiment of the pen of FIG. 6 is a mirror image of the right side elevation view shown in FIG. 9.

**1 Claim, 2 Drawing Sheets**

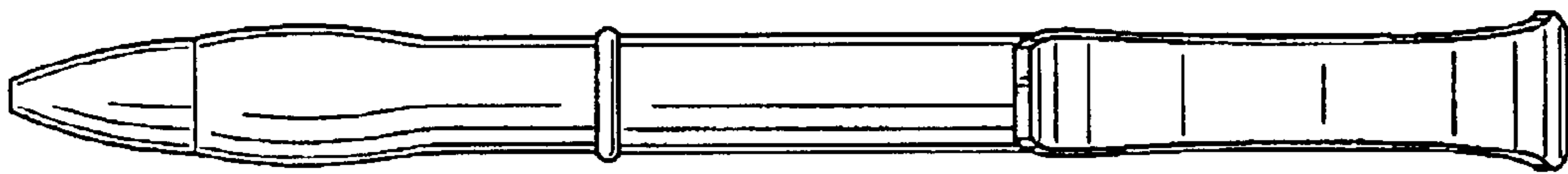




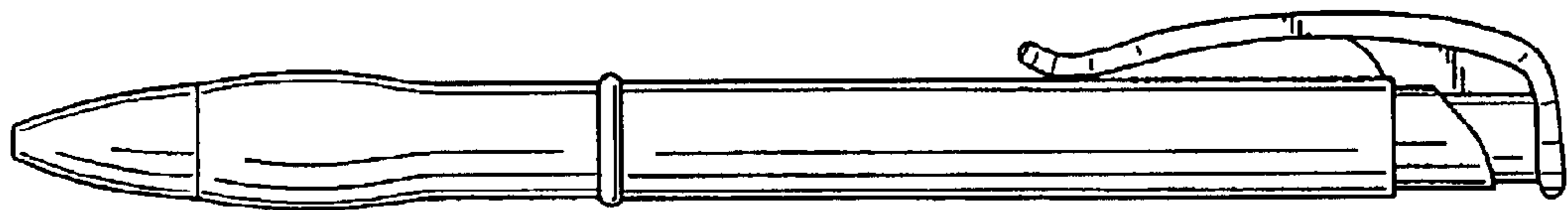
*FIG. 1*



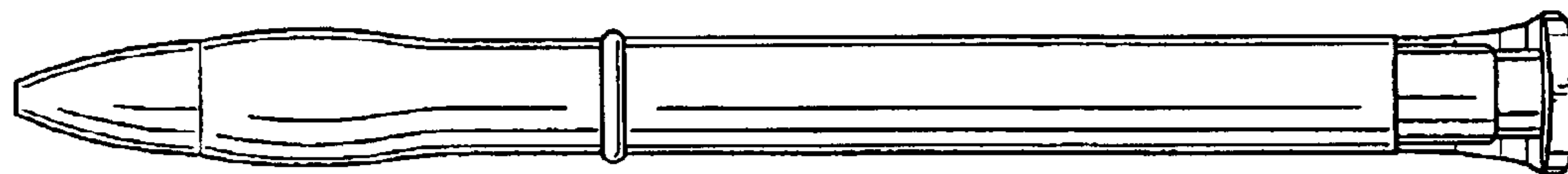
*FIG. 2*



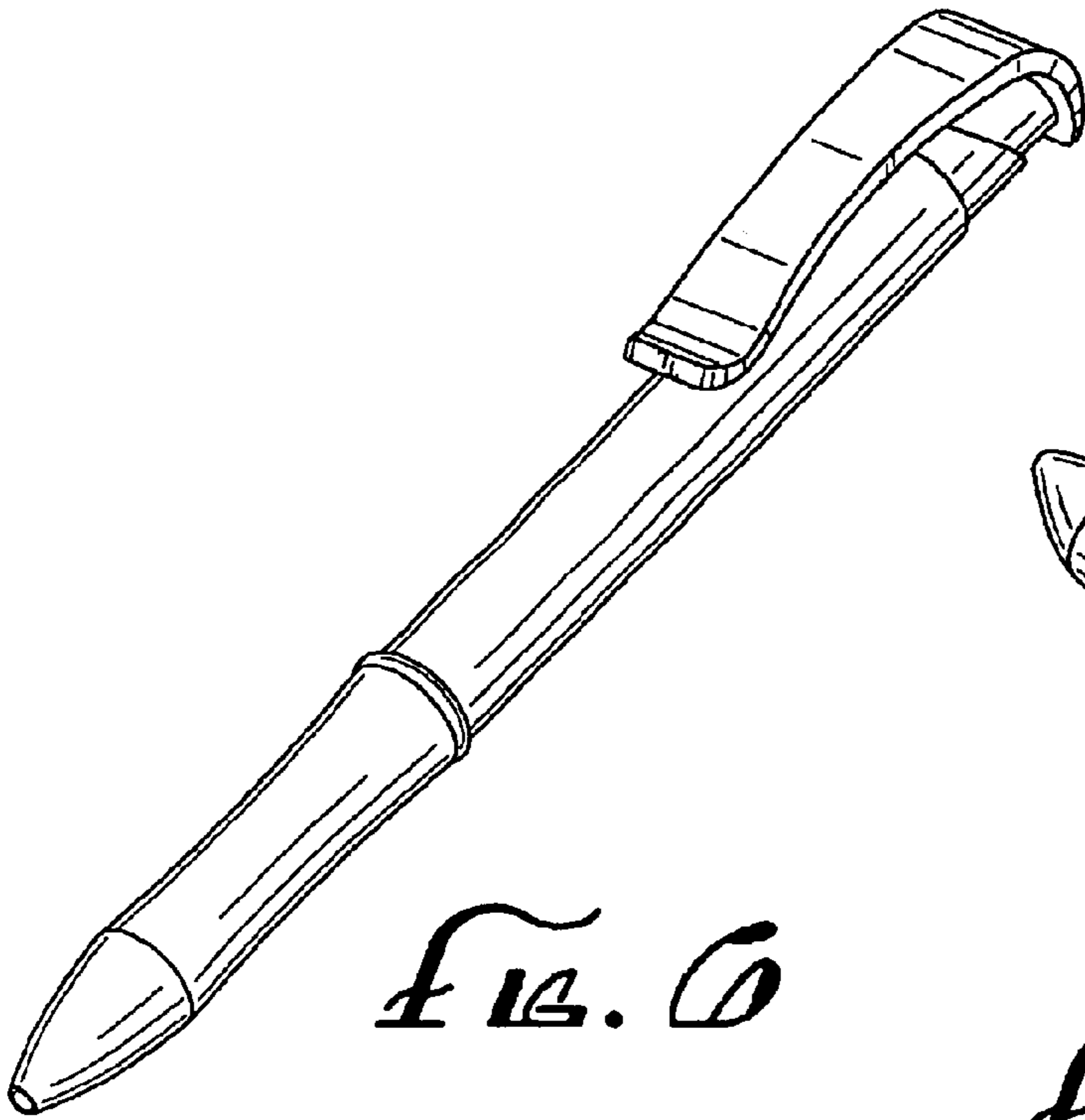
*FIG. 3*



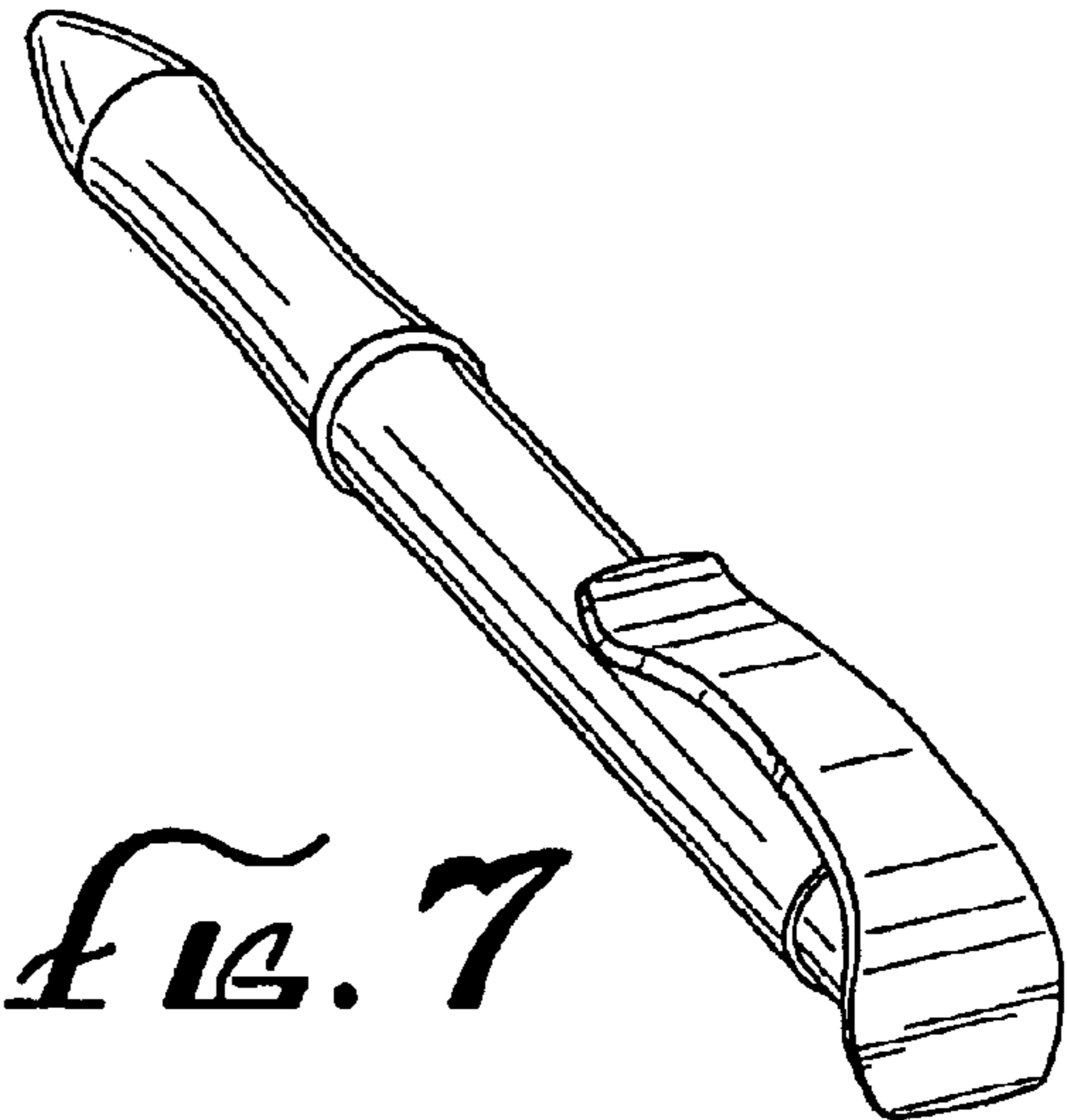
*FIG. 4*



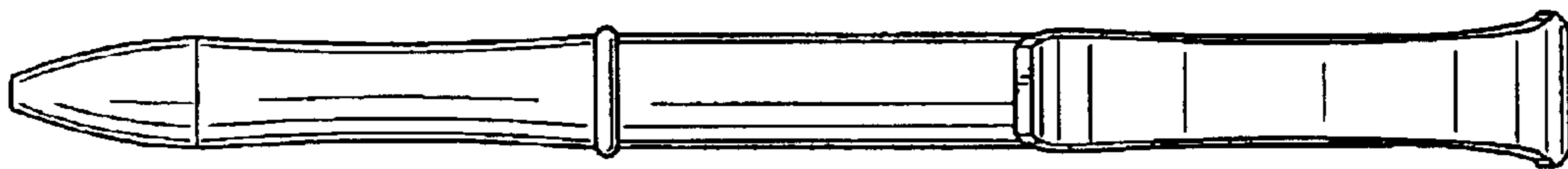
*FIG. 5*



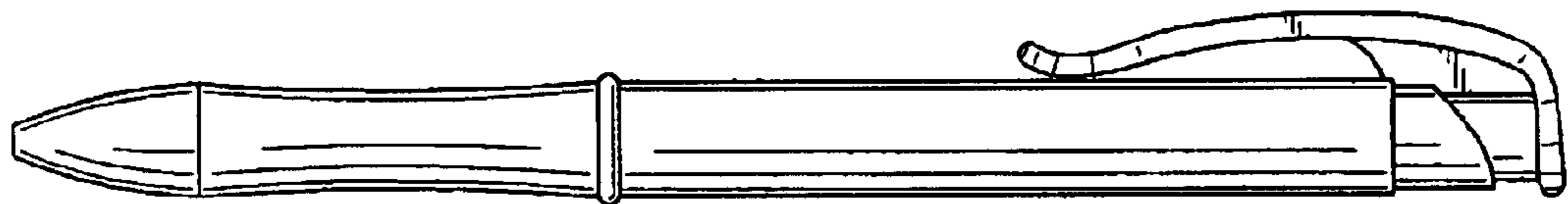
*FIG. 6*



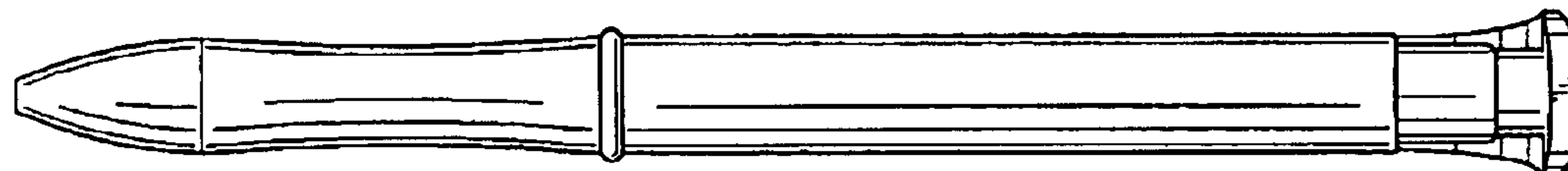
*FIG. 7*



*FIG. 8*



*FIG. 9*



*FIG. 10*