

US00D495364S1

(12) **United States Design Patent**
Cetera

(10) **Patent No.:** **US D495,364 S**

(45) **Date of Patent:** **** Aug. 31, 2004**

- (54) **PEN**
- (75) **Inventor:** **Carl Cetera**, Tenafly, NJ (US)
- (73) **Assignee:** **Lotapaxi Inc.**, Carlstadt, NJ (US)
- (**) **Term:** **14 Years**
- (21) **Appl. No.:** **29/189,834**
- (22) **Filed:** **Sep. 9, 2003**
- (51) **LOC (7) Cl.** **19-06**
- (52) **U.S. Cl.** **D19/51; D19/48; D19/56**
- (58) **Field of Search** **D19/35, 36, 41-51,**
D19/53-58, 81-85; 401/6, 7, 88, 99, 100-106,
107-117, 209; 24/10 R, 11 R, 11 C, 11 F,
11 P, 3.5, 11 CC, 11 HC, 11 PP, 11 M;
40/334, 335

- D92,534 S * 6/1934 Hale D19/51
- 2,039,410 A * 5/1936 Harris 24/11 F
- D265,212 S * 6/1982 Spiegel D19/47
- D323,530 S * 1/1992 Cowan D19/56
- 6,332,247 B1 * 12/2001 Hsieh 24/11 R
- D472,923 S * 4/2003 Wang D19/48

* cited by examiner

Primary Examiner—Martie K. Holtje

(74) *Attorney, Agent, or Firm*—Brian Carpenter

(57) **CLAIM**

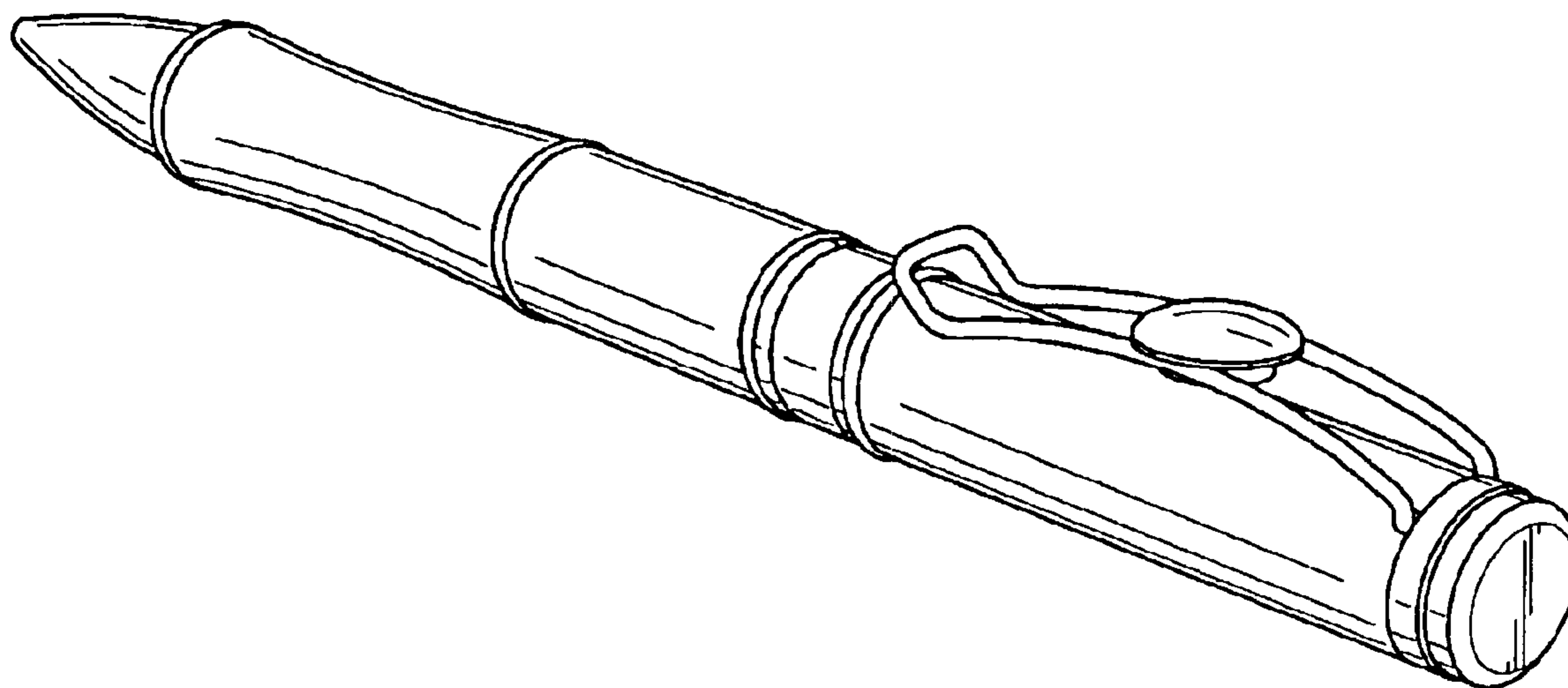
The ornamental design for a pen, as shown and described.

DESCRIPTION

FIG. 1 is a top, right front perspective view of a pen showing my new design;
 FIG. 2 is a right side elevational view thereof;
 FIG. 3 is a front elevational view thereof;
 FIG. 4 is a rear elevational view thereof;
 FIG. 5 is a top plan view thereof; and,
 FIG. 6 is a bottom plan view thereof.

- (56) **References Cited**
U.S. PATENT DOCUMENTS
 1,053,663 A * 2/1913 Snell 24/11 R
 1,263,327 A * 4/1918 Kristofek 24/11 M

1 Claim, 1 Drawing Sheet



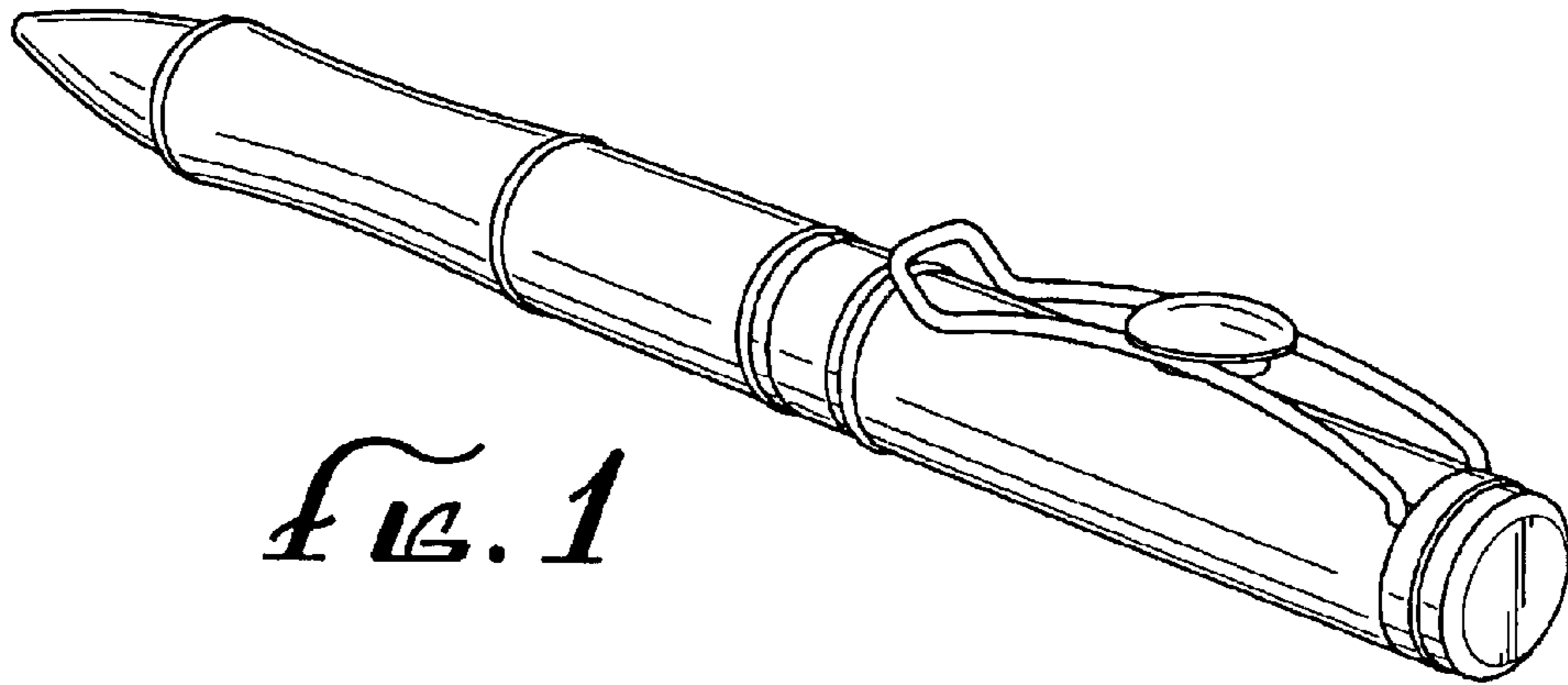


FIG. 1

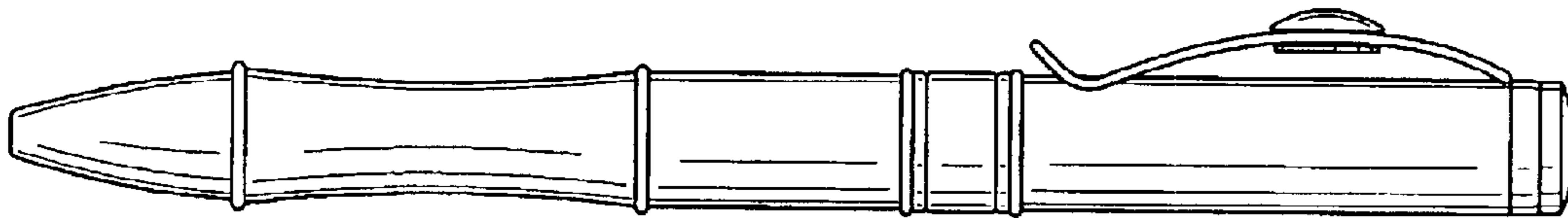


FIG. 2

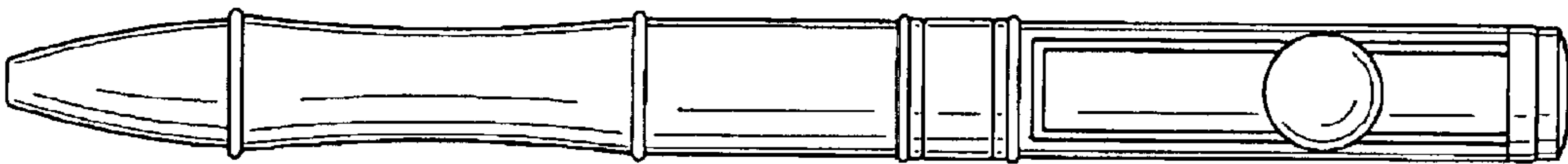


FIG. 3

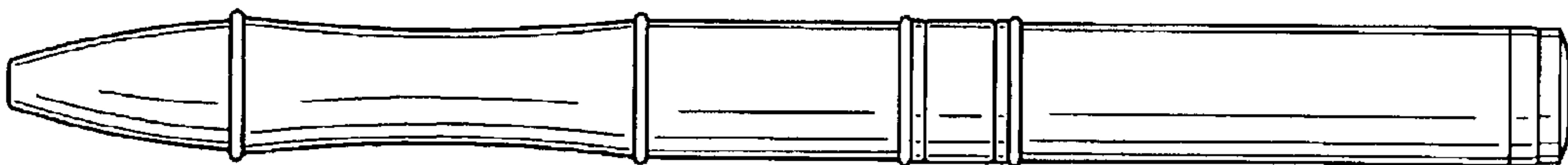


FIG. 4

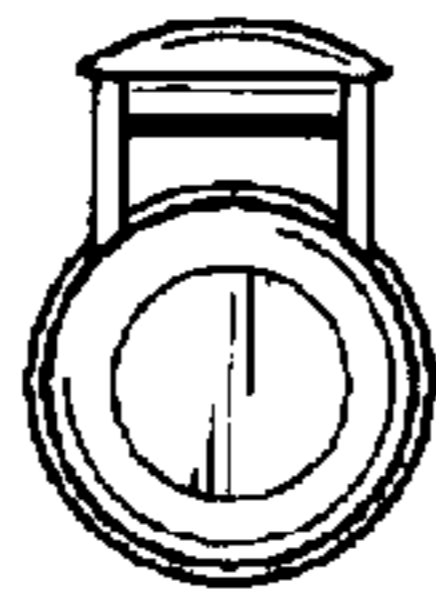


FIG. 5

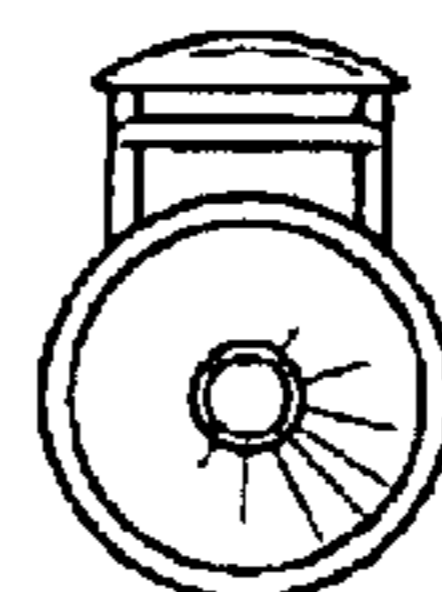


FIG. 6